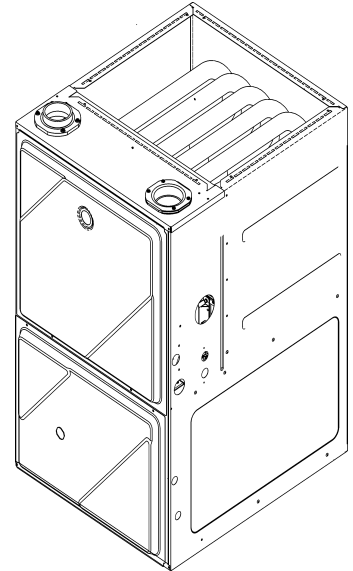


AMVM97 97% ECM Up Flow Furnace

AMVM970603BNBA
AMVM970603BNBB
AMVM970603BNBC
AMVM970603BNBD
AMVM970803BNBA
AMVM970803BNBB
AMVM970803BNBC
AMVM970803BNBD
AMVM970804CNBA
AMVM970804CNBB
AMVM970804CNBC
AMVM970804CNBD
AMVM971005CNBA
AMVM971005CNBB
AMVM971005CNBC
AMVM971005CNBD
AMVM971205DNBA
AMVM971205DNBB
AMVM971205DNBC
AMVM971205DNBD



Amana® is a registered trademark of Maytag Corporation or its related companies and is used under license. All rights reserved.

This manual is to be used by qualified technicians only.

This manual replaces RP-A2320B

© 2019 ,2022 - 2023 Goodman Company, L.P. ♦ 19001 Kermier Rd. ♦ Waller, TX 77484

Important Information

Index

Functional Parts List	3
Illustration and Parts	4 - 11

Views shown are for parts illustrations only, not servicing procedures.

Text Codes:

AR - As Required

NA - Not Available

NS - Not Shown

00000000 - See Note

QTY - Quantity Example (QTY 3) (If Quantity not shown, Quantity = 1)

M - Model Example (M1) (If M Code not shown, then part is used on all Models)

Expanded Model Nomenclature:

Example M1 - Model#1 M2 - Model#2 M3 - Model#3

Goodman Company, L.P. is not responsible for personal injury or property damage resulting from improper service. Review all service information before beginning repairs.

Warranty service must be performed by an authorized technician, using authorized factory parts. If service is required after the warranty expires, Goodman Company, L.P. also recommends contacting an authorized technician and using authorized factory parts.

Goodman Company, L.P. reserves the right to discontinue, or change at any time, specifications or designs without notice or without incurring obligations.

For assistance within the U.S.A. contact:

Homeowner Support
Goodman Company, L.P.
19001 Kermier Road
Waller, Texas 77484
877-254-4729-Telephone
713-863-2382-Facsimile

For assistance outside the U.S.A. contact:

International Division
Goodman Company, L.P.
19001 Kermier Road
Waller, Texas 77484
713-861-2500-Telephone
713-863-2382-Facsimile

Functional Parts

Part No: **Description:**

20162904	*PRIMARY LIMIT-TEMPERATURE CONTROL (M17, M18, M19, M20)
SHARED DATA	Available thru CoolCloud HVAC app.
0163F00017	BECKETT BURNER (QTY 3)
0130F00010	FLAME SENSOR
0151M00092	GAS VALVE, WR MOD
0257F00306	HEAT EXCHANGER ASSY. (M5, M6, M7, M8)
0257F00305	HEAT EXCHANGER ASSY. (M1, M2, M3, M4)
0257F00307	HEAT EXCHANGER ASSY. (M9, M10, M11, M12)
0257F00309	HEAT EXCHANGER ASSY. (M17, M18, M19, M20)
0257F00308	HEAT EXCHANGER ASSY. (M13, M14, M15, M16)
0130F00008	IGNITOR-SINI 17 SEC
0130M00141	INDUCTOR, 5.9 AMPS (M9, M10, M11, M12, M13, M14, M15, M16, M17, M18, M19, M20)
10123529	MANUAL RESET LIMIT (QTY 2)
0271F00507	MORRISON 11 X 10 BLOWER (M9, M10, M11, M12, M13, M14, M15, M16)
0271F00508	MORRISON 11 X 11 BLOWER (M17, M18, M19, M20)
0271F00506	MORRISON 11 X 8 BLOWER (M1, M2, M3, M4, M5, M6, M7, M8)
0131M01011	MOTOR, 1 HP (M16, M20)
0131M00272	MOTOR, 1 HP, SERIAL ECM (M13, M14, M15, M17, M18, M19)
0131M01002	MOTOR, 1/2 HP (M3, M4, M7, M8)
0131M00270	MOTOR, 1/2 HP, SERIAL ECM (M1, M2, M5, M6)
0131M01003	MOTOR, 3/4 HP (M11, M12)
0131M00271	MOTOR, 3/4 HP, SERIAL ECM (M9, M10)
PCBCM100	PCB CONTROL (M1, M2, M3, M5, M6, M7, M9, M10, M11, M13, M14, M17, M18)
PCBKF206	PCB, CONTROL BOARD (M4, M8, M12, M15, M16, M19, M20)
PCBKF204	PCB, FURNACE CONTROL (M1, M2, M3, M5, M6, M7, M9, M10, M11, M13, M14, M17, M18)
0130F00722	PRESSURE SWITCH (M9, M10, M11, M12)
0130F00723	PRESSURE SWITCH (M1, M2, M3, M4)
0130F00724	PRESSURE SWITCH (M5, M6, M7, M8)
0130F00725	PRESSURE SWITCH (M13, M14, M15, M16)
0130F00726	PRESSURE SWITCH (M17, M18, M19, M20)
0130F00429	PRESSURE SWITCH
20162903	PRIMARY LIMIT - BLUE (M9, M10, M11, M12, M13, M14, M15, M16)
0130F00038	PRIMARY LIMIT - LT BLUE 120° (QTY 2)
0130F00036	PRIMARY LIMIT - PINK (M1, M2, M3, M4)
20162906	PRIMARY LIMIT - WHITE (M5, M6, M7, M8)
0130M00140	TRANSFORMER,(120V TO 24V,40VA,

Expanded Model Nomenclature

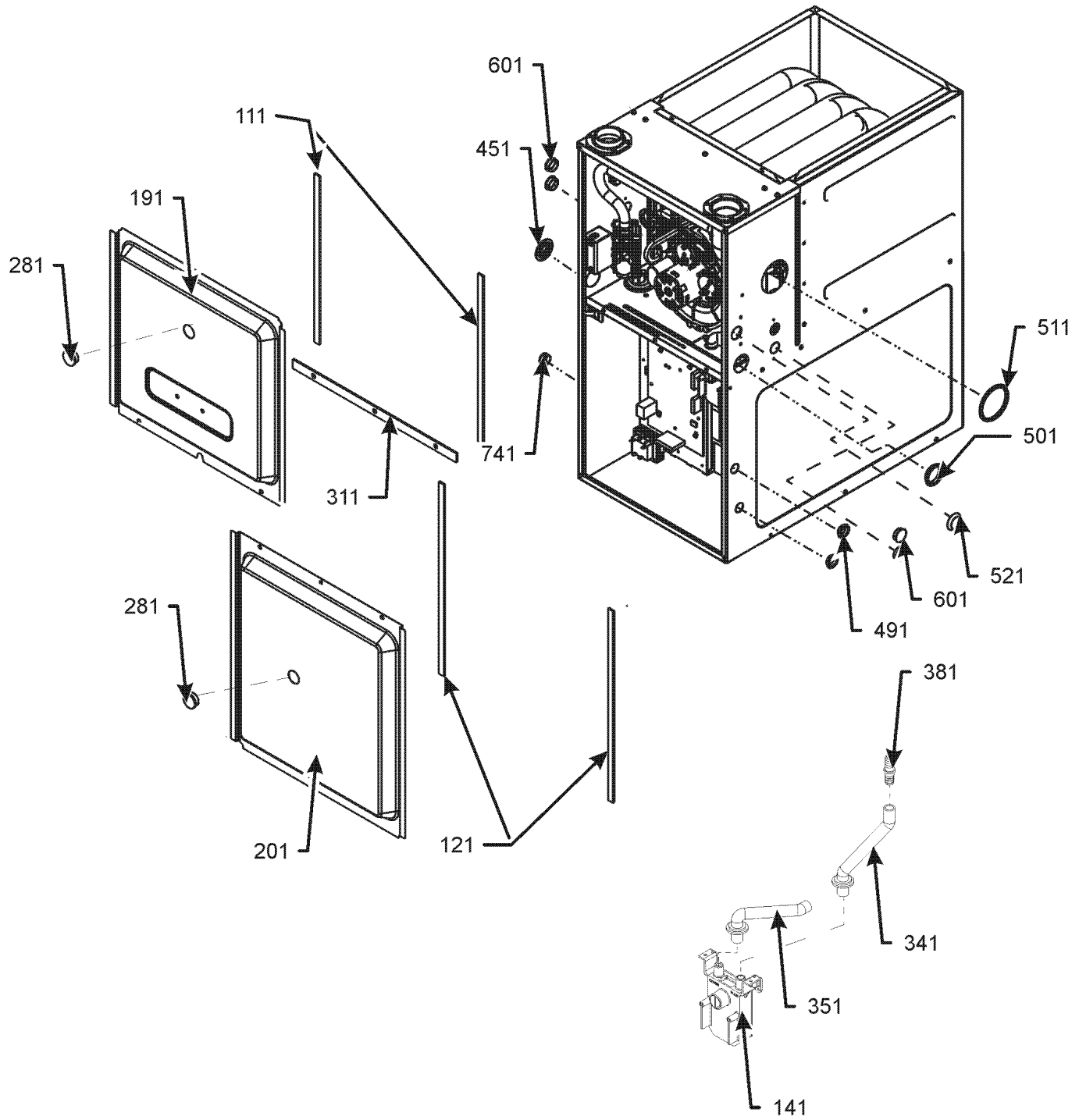
M1 - AMVM970603BNBA
M2 - AMVM970603BNBB
M3 - AMVM970603BNBC
M4 - AMVM970603BNBD
M5 - AMVM970803BNBA
M6 - AMVM970803BNBB
M7 - AMVM970803BNBC
M8 - AMVM970803BNBD
M9 - AMVM970804CNBA
M10 - AMVM970804CNBB
M11 - AMVM970804CNBC
M12 - AMVM970804CNBD
M13 - AMVM971005CNBA
M14 - AMVM971005CNBB
M15 - AMVM971005CNBC
M16 - AMVM971005CNBD
M17 - AMVM971205DNBA
M18 - AMVM971205DNBB
M19 - AMVM971205DNBC
M20 - AMVM971205DNBD

SPECIAL PARTS

HIG-2001B	HOMEOWNERS INSTRUCTIONS
IOG-2017E	INSTRUCTION MANUAL
0161M00032	NAMEPLATE, AMANA

Cabinet Assembly

CABINET ASSEMBLY



DRAIN TRAP ASSEMBLY

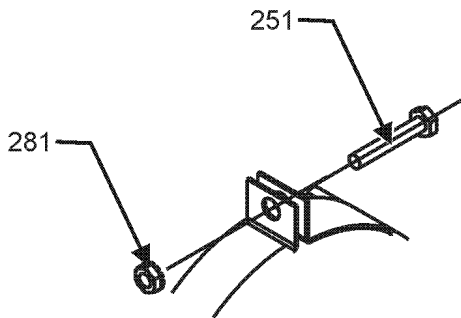
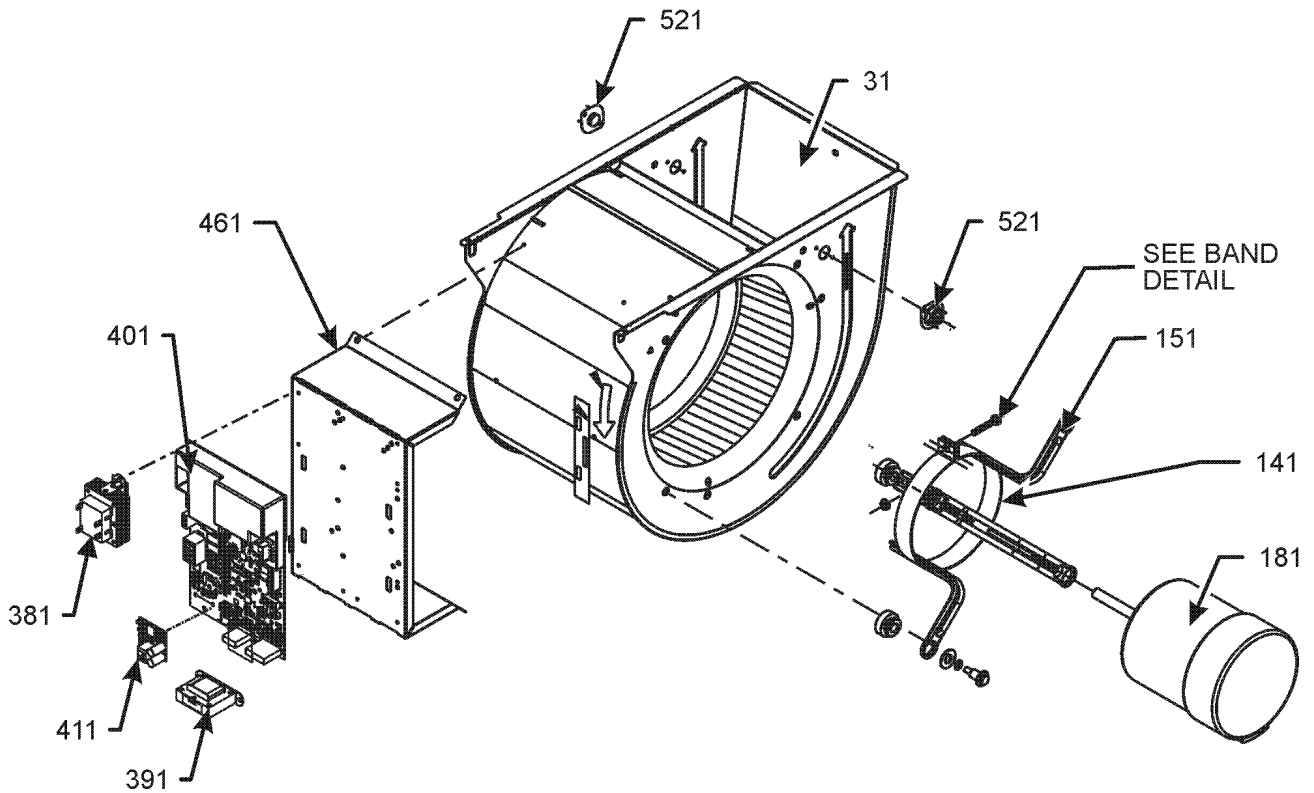
Cabinet Assembly

Ref. Part No:	Description:	Ref. Part No:	Description:
Image 1:		Expanded Model Nomenclature	
111	0154F00024 GASKET (QTY 2)	M1	- AMVM970603BNBA
121	0154F00025 GASKET (QTY 2)	M2	- AMVM970603BNBB
141	0161F00046 DRAIN TRAP	M3	- AMVM970603BNBC
191	0121F00338LG DOOR ACCESS 21" PNT (M9, M10, M11, M12, M13, M14, M15, M16)	M4	- AMVM970603BNBD
191	0121F00337LG DOOR, ACCESS 17.5" PNT (M1, M2, M3, M4, M5, M6, M7, M8)	M5	- AMVM970803BNBA
191	0121F00339LG DOOR, ACCESS 24.5" PNT (M17, M18, M19, M20)	M6	- AMVM970803BNBB
201	0121F00340LG DOOR, BLOWER 17.5" PNT (M1, M2, M3, M4, M5, M6, M7, M8)	M7	- AMVM970803BNBC
201	0121F00341LG DOOR, BLOWER 21" PNT (M9, M10, M11, M12, M13, M14, M15, M16)	M8	- AMVM970803BNBD
201	0121F00342LG DOOR, BLOWER 24.5" PNT (M17, M18, M19, M20)	M9	- AMVM970804CNBA
281	B1392139 VIEW PORT BUSHING-BLOWER DOOR (QTY 2)	M10	- AMVM970804CNBB
311	0154F00020 GASKET, DECK (M1, M2, M3, M4, M5, M6, M7, M8)	M11	- AMVM970804CNBC
311	0154F00021 GASKET, DECK (M9, M10, M11, M12, M13, M14, M15, M16)	M12	- AMVM970804CNBD
311	0154F00022 GASKET, DECK (M17, M18, M19, M20)	M13	- AMVM971005CNBA
341	0164F00017 HOSE-ELBOW/TRAP	M14	- AMVM971005CNBB
351	0164F00006 HOSE, COVER/TRAP (M17, M18, M19, M20)	M15	- AMVM971005CNBC
351	0164F00024 HOSE, COVER/TRAP (M1, M2, M3, M4, M5, M6, M7, M8, M9, M10, M11, M12, M13, M14, M15, M16)	M16	- AMVM971005CNBD
381	0161F00047 COUPLING, HOSE BARBED	M17	- AMVM971205DNBA
451	M0501301 PIPE GROMMET	M18	- AMVM971205DNBB
491	M0570808 BUTTON PLUG (QTY 3)	M19	- AMVM971205DNBC
501	M0570806 BUTTON PLUG	M20	- AMVM971205DNBD
511	M0570807 BUTTON PLUG		
521	0161M00027 PLUG, HOLE		
601	B1392021 PLASTIC PLUG, 1" (2713-BLK) (QTY 4)		
741	B1392104 UNIVERSAL BUSHING UB 875		
NS	M0310345 BUTTON PLUG (QTY 2)		
NS	0163M00460 CLAMP-HOSE (QTY 2)		
NS	0270F05402 DRAIN KIT ASSY		
NS	0163M00319 HEX-NUT INSERT (QTY 3)		
NS	HIG-2001B HOMEOWNERS INSTRUCTIONS		
NS	IOG-2017E INSTRUCTION MANUAL		
NS	0161M00032 NAMEPLATE, AMANA		
NS	M0209730 SCREW-DECORATIVE (QTY 3)		
NS	M0273904 SCREW-RETAINER (QTY 3)		

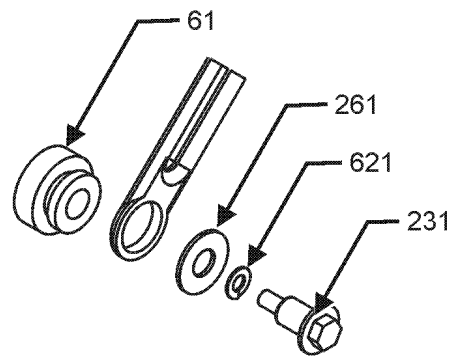
Blower Assembly

BLOWER ASSEMBLY

*If end bells are needed please order the following:
0131M00182 - 1/2 HP
0131M00183 - 3/4 HP
0131M00184 - 1 HP



BAND DETAIL



BLOWER ARM DETAIL

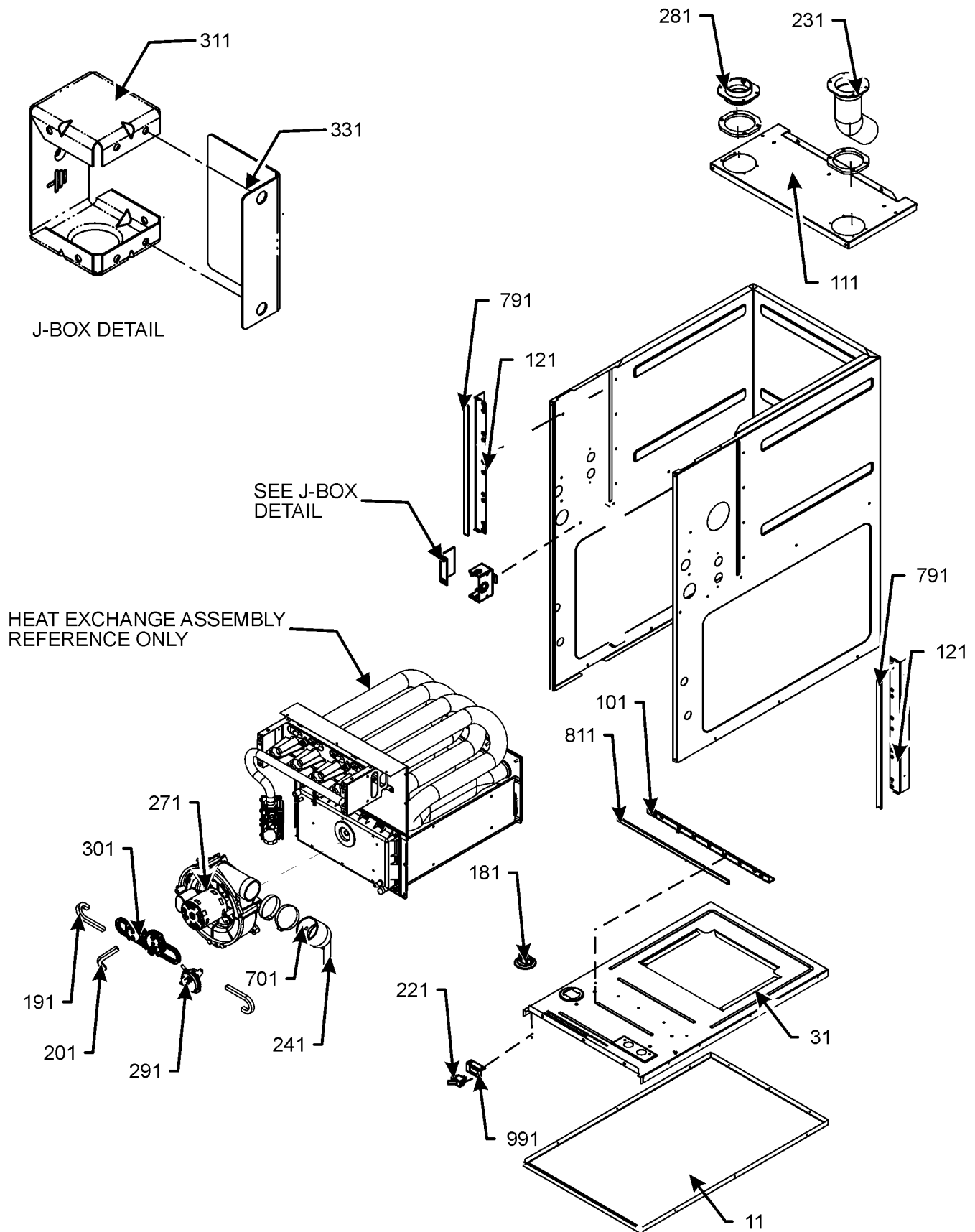
BLOWER ASSEMBLY MAY DIFFER FROM WHAT IS SHOWN

Blower Assembly

Ref. Part No:	Ref. Part No:	Description:	Description:	
Image 1:		Image 1:		
31	0271F00507	MORRISON 11 X 10 BLOWER (M9, M10, M11, M12, M13, M14, M15, M16)	NS 0159F00083 CABLE,RJ12 (M1, M2, M3, M5, M6, M7, M9, M10, M11, M13, M14, M17, M18)	
31	0271F00508	MORRISON 11 X 11 BLOWER (M17, M18, M19, M20)	NS 0259F00040 CONTROL HARNESS	
31	0271F00506	MORRISON 11 X 8 BLOWER (M1, M2, M3, M4, M5, M6, M7, M8)	NS 0154F00041 GASKET FRESH AIR (QTY 2)	
61	A4002702	BLOWER MOTOR GROMMET (M9, M10, M11, M12, M13, M14, M15, M16, M17, M18, M19, M20)	NS 0259F00040 HARNESS, CONTROL	
141	0121M00038	MOTOR MOUNT BAND (M1, M2, M3, M4, M5, M6, M7, M8)	NS 0159F00107 HARNESS, WIRING (M9, M10, M11, M13, M14, M17, M18)	
141	10441601	MOTOR MOUNT BAND (M9, M10, M11, M12, M13, M14, M15, M16, M17, M18, M19, M20)	NS 0159F00108 HARNESS, WIRING (M1, M2, M3, M5, M6, M7)	
151	10441501	MOTOR MOUNT ARM (M9, M10, M11, M12, M13, M14, M15, M16, M17, M18, M19, M20)	NS 0259F00041 HARNESS-POWER (M9, M10, M11, M12, M13, M14, M15, M16, M17, M18, M19, M20)	
151	B1376857	MOTOR MOUNT ARM (M1, M2, M3, M4, M5, M6, M7, M8)	NS 0259F00279 HARNESS-POWER W/FERRITE (M1, M2, M3, M4, M5, M6, M7, M8)	
181	0131M01011	MOTOR, 1 HP (M16, M20)	NS 0259F00024 WIRE HARNESS-BLOWER	
181	0131M00272	MOTOR, 1 HP, SERIAL ECM (M13, M14, M15, M17, M18, M19)	NS 0159F00122 WIRING HARNESS (M4, M8)	
181	0131M01002	MOTOR, 1/2 HP (M3, M4, M7, M8)	NS 0159F00148 WIRING HARNESS (M12, M15, M16, M19, M20)	
181	0131M00270	MOTOR, 1/2 HP, SERIAL ECM (M1, M2, M5, M6)	Expanded Model Nomenclature	
181	0131M01003	MOTOR, 3/4 HP (M11, M12)	M1 - AMVM970603BNBA	
181	0131M00271	MOTOR, 3/4 HP, SERIAL ECM (M9, M10)	M2 - AMVM970603BNBB	
231	0163F00028	SCREW (M9, M10, M11, M12, M13, M14, M15, M16, M17, M18, M19, M20)	M3 - AMVM970603BNBC	
231	M0250565	SCREW-TC 1.25" (M1, M2, M3, M4, M5, M6, M7, M8)	M4 - AMVM970603BNBD	
251	B1393323	SCREW,MACH HWH 1/4-20X1 1/2 BZ (M1, M2, M3, M4, M5, M6, M7, M8, M11, M12)	M5 - AMVM970803BNBA	
251	M0267144	SCREW-MACH (M9, M10, M13, M14, M15, M16, M17, M18, M19, M20)	M6 - AMVM970803BNBB	
261	B1392918	WASHER, FLAT 1/4 ID X 1 OD (M1, M2, M3, M4, M5, M6, M7, M8)	M7 - AMVM970803BNBC	
261	M0274008	WASHER-FLAT (M9, M10, M11, M12, M13, M14, M15, M16, M17, M18, M19, M20)	M8 - AMVM970803BNBD	
281	M0282015	KEPS NUT (M9, M10, M13, M14, M15, M16, M17, M18, M19, M20)	M9 - AMVM970804CNBA	
281	B1393800	LOCKNUT, NYLON, INSERT 1/4, 20 (M1, M2, M3, M4, M5, M6, M7, M8, M11, M12)	M10 - AMVM970804CNBB	
381	0130M00140	TRANSFORMER,(120V TO 24V,40VA,	M11 - AMVM970804CNBC	
391	0130M00141	INDUCTOR, 5.9 AMPS (M9, M10, M11, M12, M13, M14, M15, M16, M17, M18, M19, M20)	M12 - AMVM970804CNBD	
401	PCBKF206	PCB, CONTROL BOARD (M4, M8, M12, M15, M16, M19, M20)	M13 - AMVM971005CNBA	
401	PCBKF204	PCB, FURNACE CONTROL (M1, M2, M3, M5, M6, M7, M9, M10, M11, M13, M14, M17, M18)	M14 - AMVM971005CNBB	
411	PCBCM100	PCB CONTROL (M1, M2, M3, M5, M6, M7, M9, M10, M11, M13, M14, M17, M18)	M15 - AMVM971005CNBC	
461	0121F00464	MOUNTING PLATE-CONTROLS	M16 - AMVM971005CNBD	
521	0130F00038	PRIMARY LIMIT - LT BLUE 120° (QTY 2)	M17 - AMVM971205DNBA	
621	B1392820	WASHER, SPLIT LOCK 1/4 BZ (M9, M10, M11, M12, M13, M14, M15, M16, M17, M18, M19, M20)	M18 - AMVM971205DNBB	
NS	SHARED DATA	Av ailable thru CoolCloud HVAC app.	M19 - AMVM971205DNBC	
			M20 - AMVM971205DNBD	

*If end bells are needed please order the following:
 0131M00182 - 1/2 HP
 0131M00183 - 3/4 HP
 0131M00184 - 1 HP

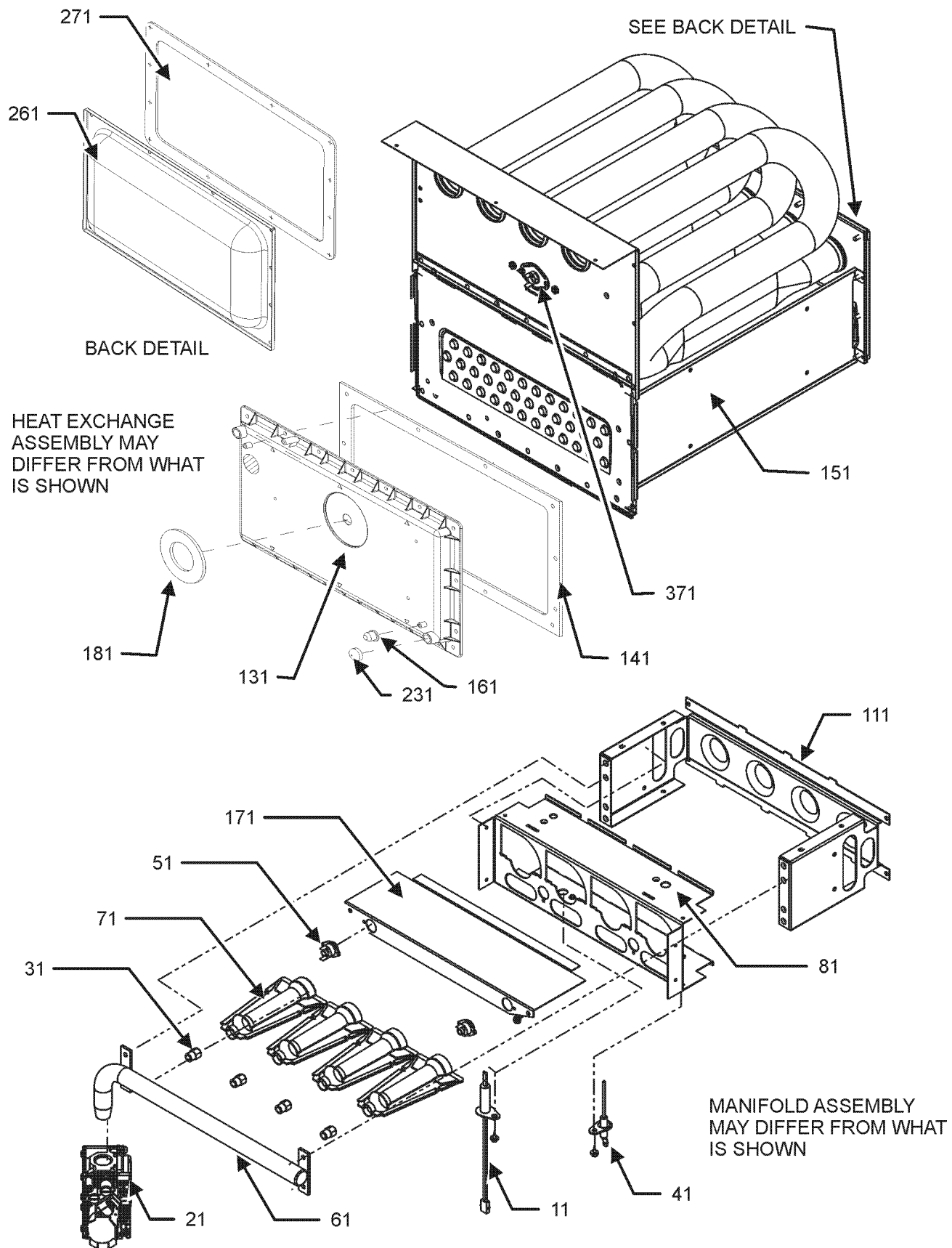
Chassis Assembly



Chassis Assembly

Ref. Part No:	No:	Description:	Ref. Part No:	No:	Description:
Image 1:			Image 1:		
11	0121F00530DG	BASEPAN, 17.5 (M1, M2, M3, M4, M5, M6, M7, M8)	NS	0160F00017	INSULATION, HT EXCHANGER 24.5" (M17, M18, M19, M20)
11	0121F00531DG	BASEPAN, 21 (M9, M10, M11, M12, M13, M14, M15, M16)	NS	0160F00018	INSULATION, SIDE (QTY 2)
11	0121F00532DG	BASEPAN, 24.5 PNT (M17, M18, M19, M20)	NS	0160F00012	INSULATION-BACK 17.5" (M1, M2, M3, M4, M5, M6, M7, M8)
31	0121F00766	DECK- BLOWER 17.5" (M1, M2, M3, M4, M5, M6, M7, M8)	NS	0160F00013	INSULATION-BACK 21" (M9, M10, M11, M12, M13, M14, M15, M16)
31	0121F00767	DECK- BLOWER 21" (M9, M10, M11, M12, M13, M14, M15, M16)	NS	0160F00014	INSULATION-BACK 24.5" (M17, M18, M19, M20)
31	0121F00768	DECK- BLOWER 24.5" (M17, M18, M19, M20)	Expanded Model Nomenclature		
101	0121F00314	ANGLE, DECK (M1, M2, M3, M4, M5, M6, M7, M8)	M1 - AMVM970603BNBA		
101	0121F00315	ANGLE, DECK (M9, M10, M11, M12, M13, M14, M15, M16)	M2 - AMVM970603BNBB		
101	0121F00316	ANGLE, DECK (M17, M18, M19, M20)	M3 - AMVM970603BNBC		
111	0121F00279DG	PAINTED TOP, FURNACE 17.5 (M1, M2, M3, M4, M5, M6, M7, M8)	M4 - AMVM970603BNBD		
111	0121F00280DG	PAINTED TOP, FURNACE 21 (M9, M10, M11, M12, M13, M14, M15, M16)	M5 - AMVM970803BNBA		
111	0121F00281DG	PAINTED TOP, FURNACE 24.5 (M17, M18, M19, M20)	M6 - AMVM970803BNBB		
121	0121F00313	ANGLE, SIDE (QTY 2)	M7 - AMVM970803BNBC		
181	0159F00107	HARNESS, WIRING (M9, M10, M11, M13, M14, M17, M18)	M8 - AMVM970803BNBD		
181	0159F00108	HARNESS, WIRING (M1, M2, M3, M5, M6, M7)	M9 - AMVM970804CNBA		
181	0159F00122	HARNESS, WIRING (M4, M8)	M10 - AMVM970804CNBB		
181	0159F00148	HARNESS, WIRING (M12, M15, M16, M19, M20)	M11 - AMVM970804CNBC		
191	0164M00118	HOSE- PRESSURE SW 10" (M9, M10, M11, M12, M13, M14, M15, M16)	M12 - AMVM970804CNBD		
191	0164M00120	HOSE- PRESSURE SW 14" (M17, M18, M19, M20)	M13 - AMVM971005CNBA		
191	0164M00116	HOSE- PRESSURE SW 7" (M1, M2, M3, M4, M5, M6, M7, M8)	M14 - AMVM971005CNBB		
201	0164M00115	HOSE- PRESSURE SW 6"	M15 - AMVM971005CNBC		
221	0130M00243	INTERLOCK SWITCH	M16 - AMVM971005CNBD		
231	0164F00002	FLUE PIPE W/BEND	M17 - AMVM971205DNBA		
241	0164F00025	ELBOW-FLUE,UPFLOW	M18 - AMVM971205DNBB		
271	0171M00009	MOTOR-ID, BLOWER	M19 - AMVM971205DNBC		
281	0161F00037	COUPLING	M20 - AMVM971205DNBD		
291	0130F00429	PRESSURE SWITCH			
301	0130F00722	PRESSURE SWITCH (M9, M10, M11, M12)			
301	0130F00723	PRESSURE SWITCH (M1, M2, M3, M4)			
301	0130F00724	PRESSURE SWITCH (M5, M6, M7, M8)			
301	0130F00725	PRESSURE SWITCH (M13, M14, M15, M16)			
301	0130F00726	PRESSURE SWITCH (M17, M18, M19, M20)			
311	0161F00042	JUNCTION BOX PLA			
331	0161F00043	JUNCTION BOX LID			
701	M0326804	PLUG-TUBE			
791	0154F00015	GASKET (QTY 2)			
811	0154F00014	GASKET (M1, M2, M3, M4, M5, M6, M7, M8)			
811	0154F00016	GASKET (M9, M10, M11, M12, M13, M14, M15, M16)			
811	20194607	GASKET (M17, M18, M19, M20)			
991	0121F00389	BRACKET, DOOR SWITCH			
NS	0160F00015	INSULATION, HT EXCHANGER 17.5" (M1, M2, M3, M4, M5, M6, M7, M8)			
NS	0160F00016	INSULATION, HT EXCHANGER 21" (M9, M10, M11, M12, M13, M14, M15, M16)			

Heat Exchange Assembly



Heat Exchange Assembly

Ref. Part No:	Ref. Part No:	Description:	Description:
Image 1:		Image 1:	
11	0130F00008	IGNITOR-SINI 17 SEC	371 20162904 *PRIMARY LIMIT-TEMPERATURE CONTROL (M17, M18, M19, M20)
21	0151M00092	GAS VALVE, WR MOD	371 20162903 PRIMARY LIMIT - BLUE (M9, M10, M11, M12, M13, M14, M15, M16)
31	10716005	ORIFICE, #45 DRILL (QTY 3)	371 0130F00036 PRIMARY LIMIT - PINK (M1, M2, M3, M4)
41	0130F00010	FLAME SENSOR	371 20162906 PRIMARY LIMIT - WHITE (M5, M6, M7, M8)
51	10123529	MANUAL RESET LIMIT (QTY 2)	
61	0163F00008	MANIFOLD (M1, M2, M3, M4)	
61	0163F00009	MANIFOLD (M9, M10, M11, M12)	
61	0163F00010	MANIFOLD (M13, M14, M15, M16)	
61	0163F00011	MANIFOLD (M17, M18, M19, M20)	
61	0163F00014	MANIFOLD (M5, M6, M7, M8)	
71	0163F00017	BECKETT BURNER (QTY 3)	
81	0121F00455	BRACKET-BURNER 3 (M1, M2, M3, M4)	
81	0121F00454	BRACKET-BURNER 4 (M5, M6, M7, M8, M9, M10, M11, M12)	
81	0121F00453	BRACKET-BURNER 5 (M13, M14, M15, M16)	
81	0121F00451	BRACKET-BURNER 6 (M17, M18, M19, M20)	
111	0121F00458	ORIFICE BRACKET-BURNER 3 (M1, M2, M3, M4)	
111	0121F00457	ORIFICE BRACKET-BURNER 4 (M5, M6, M7, M8, M9, M10, M11, M12)	
111	0121F00452	ORIFICE BRACKET-BURNERS 5 (M13, M14, M15, M16)	
111	0121F00447	ORIFICE BRACKET-BURNERS 6 (M17, M18, M19, M20)	
131	0161F00018	COVER, FRONT (M13, M14, M15, M16)	
131	0161F00031	COVER, FRONT (M5, M6, M7, M8)	
131	0161F00056	COVER, FRONT (M1, M2, M3, M4)	
131	0161F00065	COVER, FRONT (M9, M10, M11, M12)	
131	0161F00066	COVER, FRONT (M17, M18, M19, M20)	
141	0154F00026	GASKET FRONT COVER (M1, M2, M3, M4, M5, M6, M7, M8)	
141	0154F00030	GASKET FRONT COVER (M9, M10, M11, M12, M13, M14, M15, M16)	
141	0154F00034	GASKET FRONT COVER (M17, M18, M19, M20)	
151	0257F00305	HEAT EXCHANGER ASSY. (M1, M2, M3, M4)	
151	0257F00306	HEAT EXCHANGER ASSY. (M5, M6, M7, M8)	
151	0257F00307	HEAT EXCHANGER ASSY. (M9, M10, M11, M12)	
151	0257F00308	HEAT EXCHANGER ASSY. (M13, M14, M15, M16)	
151	0257F00309	HEAT EXCHANGER ASSY. (M17, M18, M19, M20)	
161	M0326804	TUBE PLUG	
171	0121F00540	SHEILD, BURNER (M1, M2, M3, M4)	
171	0121F00541	SHEILD, BURNER (M5, M6, M7, M8, M9, M10, M11, M12)	
171	0121F00542	SHEILD, BURNER (M13, M14, M15, M16)	
171	0121F00543	SHEILD, BURNER (M17, M18, M19, M20)	
181	0154F00043	GASKET ID BLOWER	
231	A1781105	CAP-VINYL .500	
261	0121F00317	COVER, REAR (M1, M2, M3, M4, M5, M6, M7, M8)	
261	0121F00318	COVER, REAR (M9, M10, M11, M12, M13, M14, M15, M16)	
261	0121F00319	COVER, REAR (M17, M18, M19, M20)	
271	0154F00037	GASKET, REAR CVR (M1, M2, M3, M4, M5, M6, M7, M8)	
271	0154F00038	GASKET, REAR CVR (M9, M10, M11, M12, M13, M14, M15, M16)	
271	0154F00039	GASKET, REAR CVR (M17, M18, M19, M20)	

Expanded Model Nomenclature

M1 - AMVM970603BNBA
M2 - AMVM970603BNBB
M3 - AMVM970603BNBC
M4 - AMVM970603BNBD
M5 - AMVM970803BNBA
M6 - AMVM970803BNBB
M7 - AMVM970803BNBC
M8 - AMVM970803BNBD
M9 - AMVM970804CNBA
M10 - AMVM970804CNBB
M11 - AMVM970804CNBC
M12 - AMVM970804CNBD
M13 - AMVM971005CNBA
M14 - AMVM971005CNBB
M15 - AMVM971005CNBC
M16 - AMVM971005CNBD
M17 - AMVM971205DNBA
M18 - AMVM971205DNBB
M19 - AMVM971205DNBC
M20 - AMVM971205DNBD