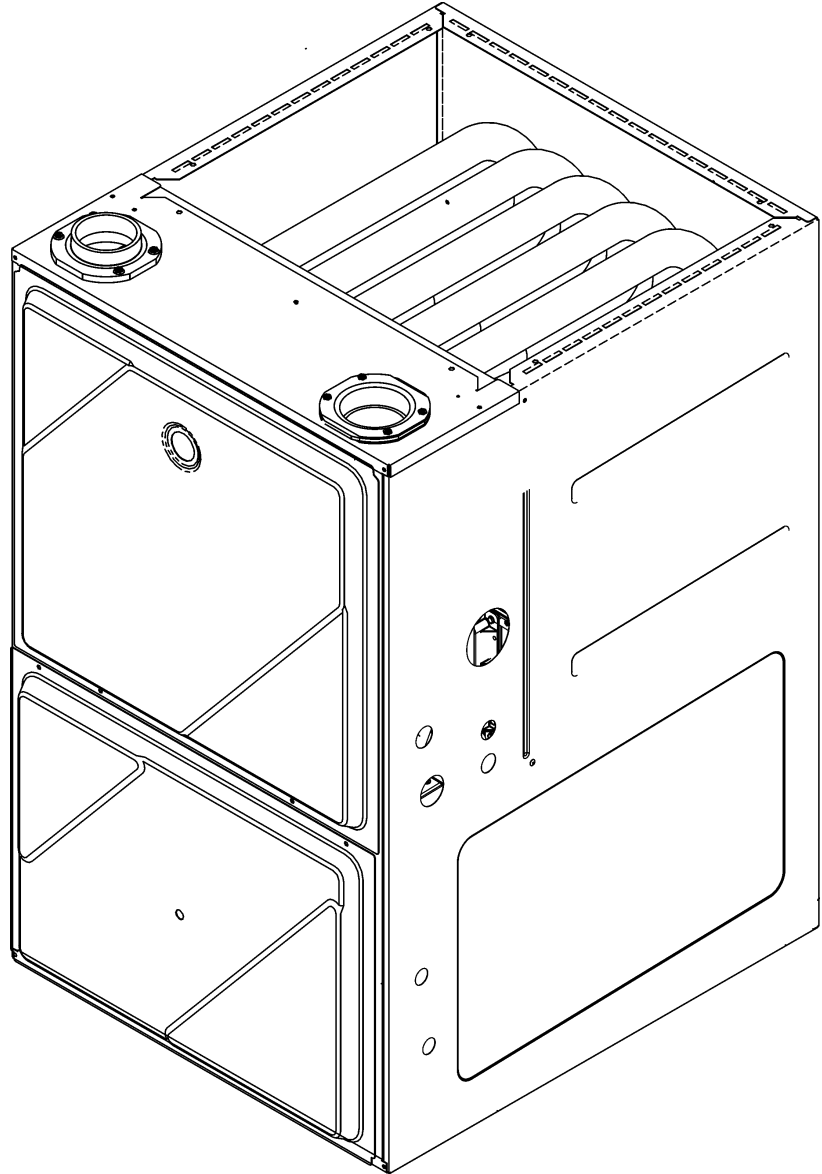


AMVC96 96% ECM Up Flow Furnace

AMVC961005DNAA



Amana® is a registered trademark of Maytag Corporation or its related companies and is used under license. All rights reserved.

This manual is to be used by qualified technicians only.

© 2017 Goodman Manufacturing Company, L.P. ♦ 5151 San Felipe St, Suite 500 ♦ Houston, TX 77056

Important Information

Index

Functional Parts List	3
Illustration and Parts	4 - 11

Views shown are for parts illustrations only, not servicing procedures

Text Codes:

AR - As Required

NA - Not Available

NS - Not Shown

00000000 - See Note

QTY - Quantity Example (QTY 3) (If Quantity not shown, Quantity = 1)

M - Model Example (M1) (If M Code not shown, then part is used on all Models)

Expanded Model Nomenclature:

Example M1 - Model#1 M2 - Model#2 M3 - Model#3

Goodman Manufacturing Company, L.P. is not responsible for personal injury or property damage resulting from improper service. Review all service information before beginning repairs.

Warranty service must be performed by an authorized technician, using authorized factory parts. If service is required after the warranty expires, Goodman Manufacturing Company, L.P. also recommends contacting an authorized technician and using authorized factory parts.

Goodman Manufacturing Company, L.P. reserves the right to discontinue, or change at any time, specifications or designs without notice or without incurring obligations.

For assistance within the U.S.A. contact:
Homeowner Support
Goodman Manufacturing Company, L.P.
19001 Kermier Road
Waller, Texas 77484
877-254-4729-Telephone
713-863-2382-Facsimile

For assistance outside the U.S.A. contact:
International Division
Goodman Manufacturing Company, L.P.
19001 Kermier Road
Waller, Texas 77484
713-861-2500-Telephone
713-863-2382-Facsimile

Functional Parts

Part

No: Description:

0163F00017	BECKETT BURNER (QTY 5)
0271F00163	BLOWER SHELL & WHEEL ASSY
0130F00586	DATA, FURNACE PCB
0130F00010	FLAME SENSOR
0151M00027	GAS VALVE
0257F00441	HEAT EXCHANGER ASSY.
0130F00008	IGNITOR-SINI 17 SEC
0130M00141	INDUCTOR, 5.9 AMPS (GMPE100-4)
0130M00243	INTERLOCK SWITCH
10123527	MANUAL RESET LIMIT - ROS (QTY 2)
0131M00272	MOTOR, 1 HP, SERIAL ECM
0171M00002	MOTOR-ID, BLOWER
PCBKF105	PCB CONTROL BOARD
0130F00443	PRESSURE SWITCH
0130F00429	PRESSURE SWITCH
0130F00038	PRIMARY LIMIT - LT BLUE 120° (AUX) (QTY 2)
0130F00036	PRIMARY LIMIT - PINK 180°
0130M00140	TRANSFORMER 120V TO 24V, 40VA

SPECIAL PARTS

0161M00003P AMANA NAMEPLATE

Expanded Model Nomenclature

M1 - AMVC961005DNAA

Cabinet Assembly

IMAGE 1

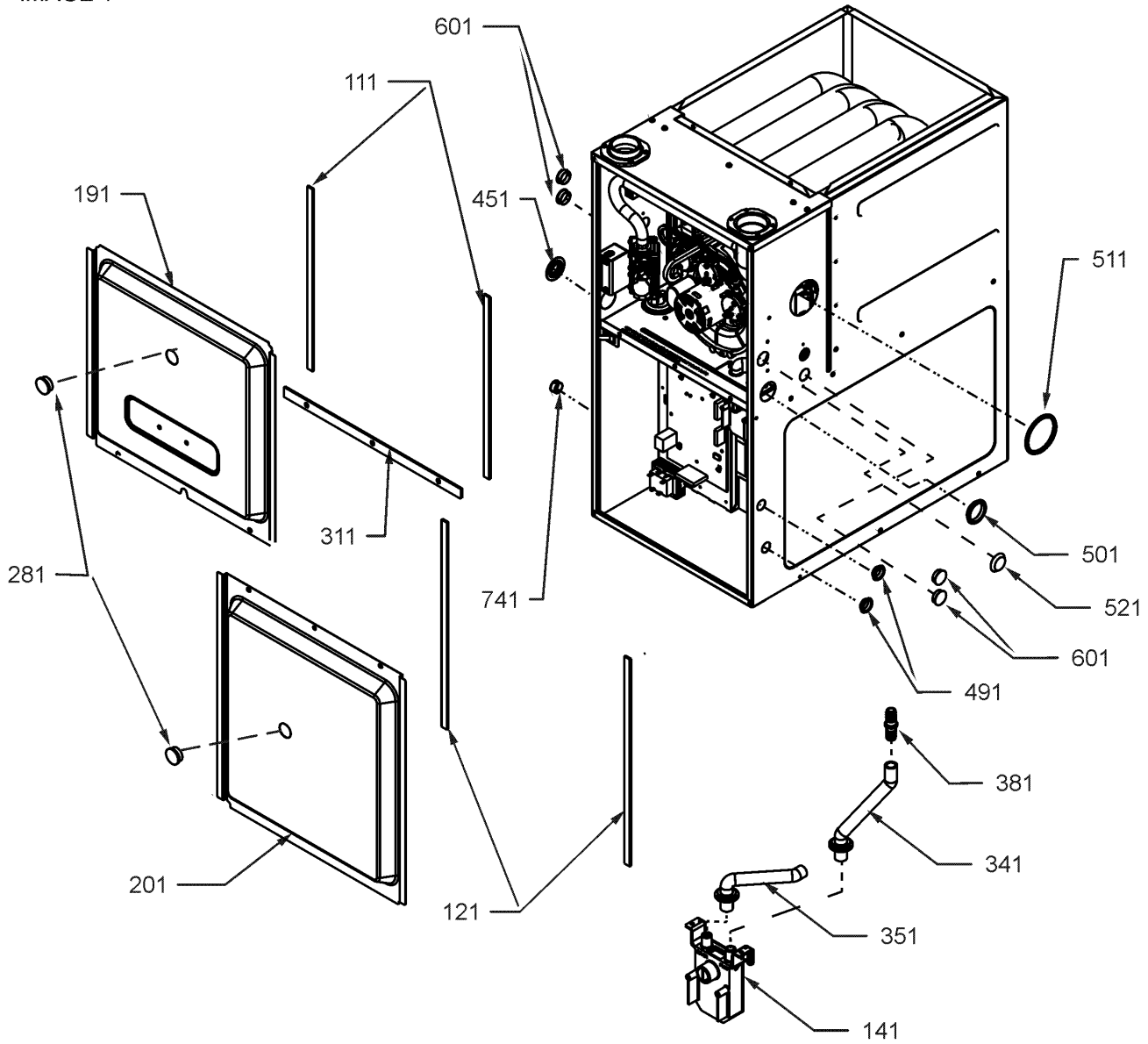
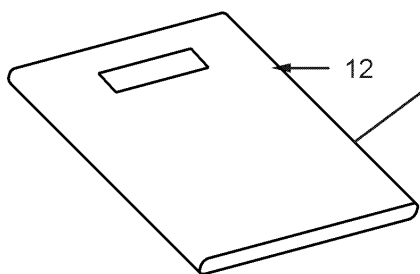
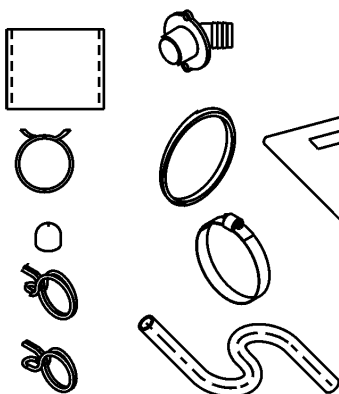


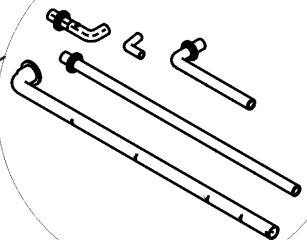
IMAGE 2



CONTENTS:



CONTENTS:



Cabinet Assembly

Ref. Part No: No:	Description:	Ref. Part No: No:	Description:
-------------------	--------------	-------------------	--------------

Image 1:

111	0154F00024	GASKET (QTY 2)
121	0154F00025	GASKET (QTY 2)
141	0161F00046	DRAIN TRAP
191	0121F00339LG	DOOR, ACCESS 24.5" PNT
201	0121F00342LG	DOOR, BLOWER 24.5" PNT
281	B1392139	VIEW PORT BUSHING-BLOWER DOOR (QTY 2)
311	0154F00022	GASKET, DECK
341	0164F00017	HOSE-ELBOW/TRAP
351	0164F00006	HOSE, COVER/TRAP
381	0161F00047	COUPLING, HOSE BARBED
451	M0501301	PIPE GROMMET
491	M0570808	BUTTON PLUG (QTY 3)
501	M0570806	BUTTON PLUG
511	M0570807	BUTTON PLUG
521	0161M00027	PLUG, HOLE
601	B1392021	PLASTIC PLUG, 1" (2713-BLK) (QTY 4)
741	B1392104	UNIVERSAL BUSHING UB 875
NS	0161M00003P	AMANA NAMEPLATE
NS	M0310345	BUTTON PLUG (QTY 2)
NS	0163M00049	HOSE CLAMP (QTY 3)
NS	M0209730	SCREW-DECORATIVE (QTY 3)

Image 2:

12	0270F03140	DRAIN PART BAG ASSY UF
22	0270F03667	BAG ASSY UF

Expanded Model Nomenclature

M1 - AMVC961005DNAA

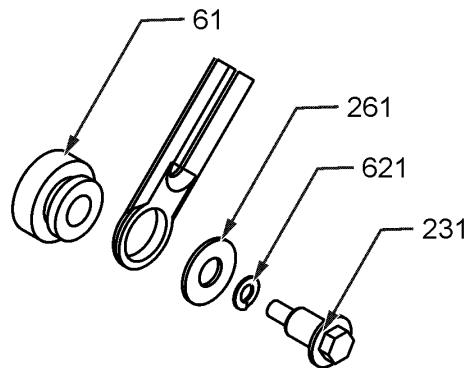
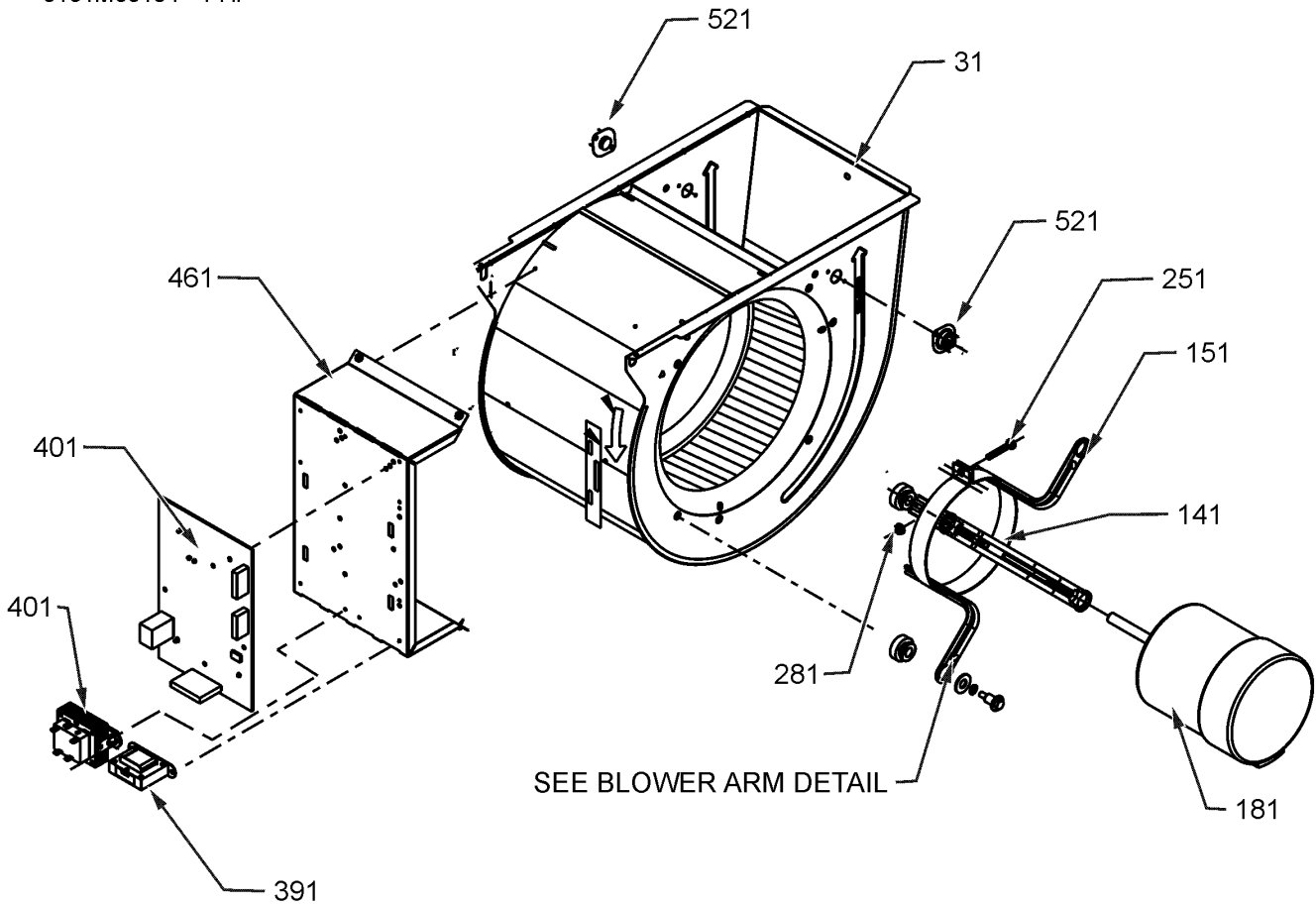
Blower Assembly

*If end bells are needed please order the following:

0131M00182 - 1/2 HP

0131M00183 - 3/4 HP

0131M00184 - 1 HP



BLOWER ARM DETAIL

Blower Assembly

Ref. Part No: No:	Description:	Ref. Part No: No:	Description:
-------------------	--------------	-------------------	--------------

Image 1:

31	0271F00163	BLOWER SHELL & WHEEL ASSY
61	A4002702	BLOWER MOTOR GROMMET (QTY 4)
141	10441601	MOTOR MOUNT BAND
151	10441501	MOTOR MOUNT ARM (QTY 4)
181	0131M00272	MOTOR, 1 HP, SERIAL ECM
231	0163F00028	SCREW (QTY 4)
251	M0267144	MACHINE SCREW
261	M0274008	WASHER-FLAT (QTY 4)
281	M0282015	KEPS NUT
381	0130M00140	TRANSFORMER 120V TO 24V, 40VA
391	0130M00141	INDUCTOR, 5.9 AMPS (GMPE100-4)
401	PCBKF105	PCB CONTROL BOARD
461	0121F00464	MOUNTING PLATE-CONTROLS
521	0130F00038	PRIMARY LIMIT - LT BLUE 120° (AUX) (QTY 2)
621	B1392820	WASHER, SPLIT LOCK 1/4 BZ (QTY 4)
NS	0259F00040	CONTROL HARNESS
NS	0130F00586	DATA, FURNACE PCB
NS	B1392021	PLASTIC PLUG, 1" (2713-BLK) (QTY 4)
NS	0259F00041	POWER HARNESS HIGH VOLTAGE
NS	0259F00024	WIRE HARNESS-BLOWER

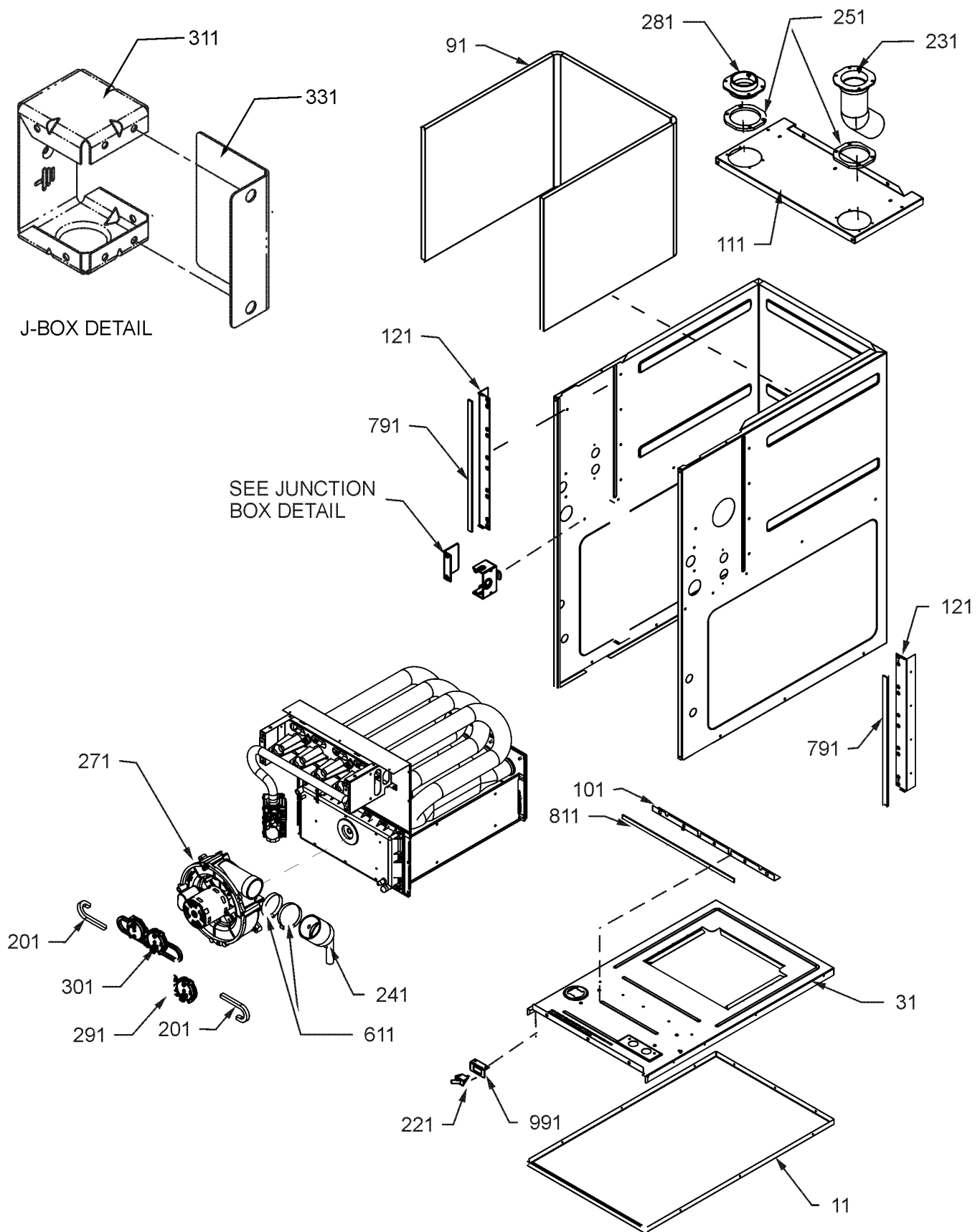
Expanded Model Nomenclature

M1 - AMVC961005DNAA

*If end bells are needed please order the following:

- 0131M00182 - 1/2 HP
- 0131M00183 - 3/4 HP
- 0131M00184 - 1 HP

Chassis Assembly



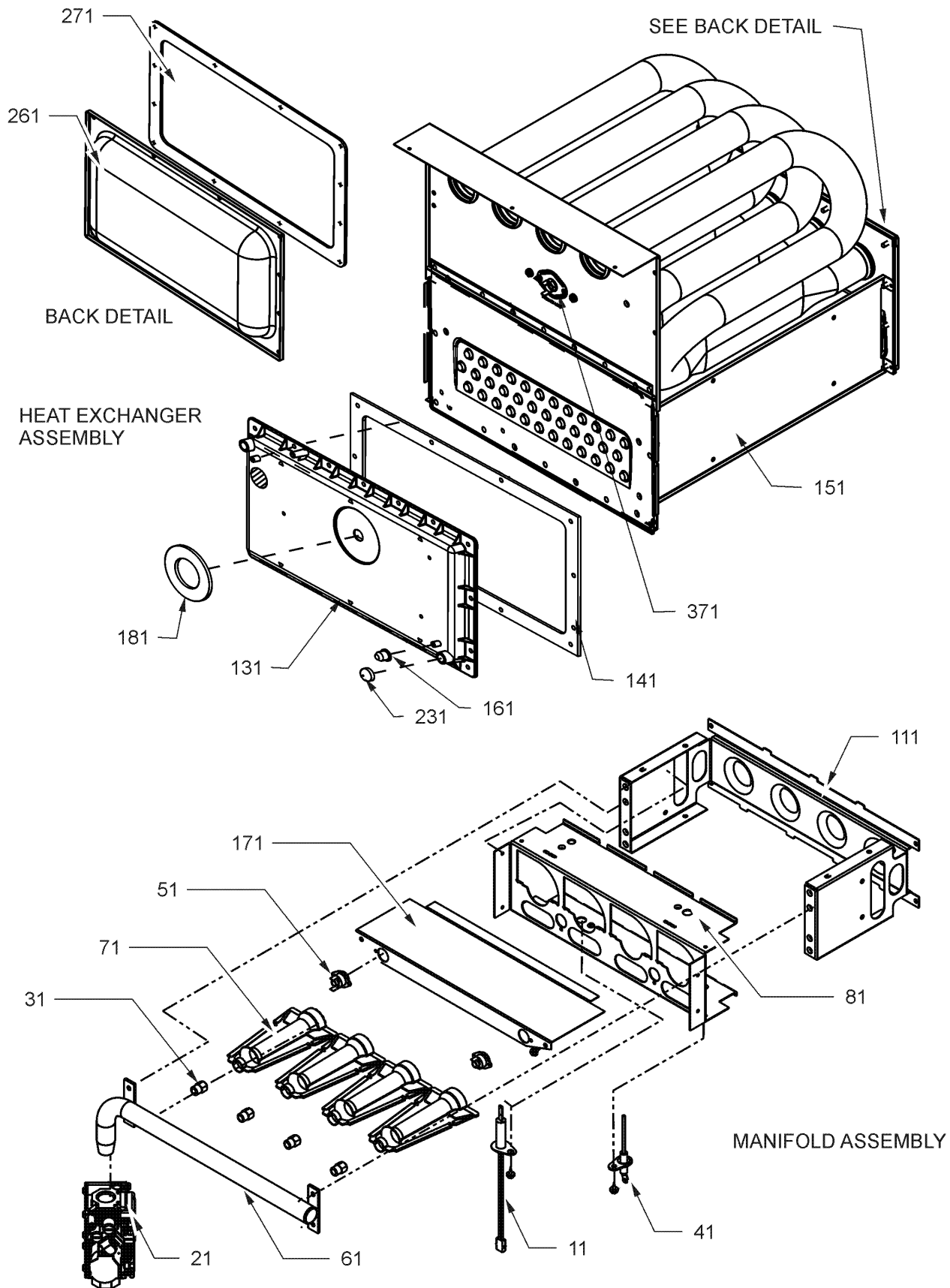
Chassis Assembly

Ref. Part No:	Part No:	Description:	Ref. Part No:	Part No:	Description:
<i>Image 1:</i>					
11	0121F00532DG	BASEPAN, 24.5 PNT			
31	0121F00535	DECK-BLOWER 24.5"			
91	0160F00017	INSULATION, HT EXCHANGER 24.5"			
101	0121F00316	ANGLE, DECK			
111	0121F00281DG	PAINTED TOP, FURNACE 24.5			
121	0121F00313	ANGLE, SIDE (QTY 2)			
201	0164M00019	HOSE-PRESSURE SW 6" (QTY 2)			
221	0130M00243	INTERLOCK SWITCH			
231	0164F00002	FLUE PIPE W/BEND			
241	0164F00001	ELBOW-FLUE, UPFLOW			
251	0154F00041	FRESH AIR GASKET (QTY 2)			
271	0171M00002	MOTOR-ID, BLOWER			
281	0161F00037	COUPLING			
291	0130F00429	PRESSURE SWITCH			
301	0130F00443	PRESSURE SWITCH			
311	0161F00042	JUNCTION BOX PLA			
331	0161F00043	JUNCTION BOX LID			
611	0163M00049	HOSE CLAMP (QTY 3)			
791	0154F00015	GASKET (QTY 2)			
811	20194607	GASKET			
991	0121F00389	BRACKET, DOOR SWITCH			
NS	0159F00071	HARNESS, WIRING			
NS	M0326804	TUBE PLUG			

Expanded Model Nomenclature

M1 - AMVC961005DNAA

Heat Exchanger / Manifold / Gas Valve



Heat Exchanger / Manifold / Gas Valve

Ref. Part No: No:	Description:	Ref. Part No: No:	Description:
<i>Image 1:</i>			
11	0130F00008		IGNITOR-SINI 17 SEC
21	0151M00027		GAS VALVE
31	10716005		ORIFICE (QTY 5)
41	0130F00010		FLAME SENSOR
51	10123527		MANUAL RESET LIMIT - ROS (QTY 2)
61	0163F00010		MANIFOLD
71	0163F00017		BECKETT BURNER (QTY 5)
81	0121F00453		BRACKET-BURNER 5
111	0121F00466		ORIFICE BRACKET-BURNER 5
131	0161F00084		COVER, FRONT
141	0154F00034		GASKET FRONT COVER
151	0257F00441		HEAT EXCHANGER ASSY.
161	M0326804		TUBE PLUG
171	0121F00542		SHIELD, BURNER
181	0154F00043		GASKET ID BLOWER
231	A1781105		CAP-VINYL .500
261	0121F00319		COVER, REAR
271	0154F00039		GASKET, REAR CVR
371	0130F00036		PRIMARY LIMIT - PINK 180°
NS	0121F00585		INSULATION, RETAINER
NS	0121F00439		PRIMARY LIMIT-HEAT SHIELD
NS	0121F00355		SHIELD, COIL (QTY 2)

Expanded Model Nomenclature

M1 - AMVC961005DNAA