

## AMVC 96% Two Stage Variable Speed UF Furnace

AMVC960403BNBA  
AMVC960403BNBB  
AMVC960403BNBC  
AMVC960603BNBA  
AMVC960603BNBB  
AMVC960603BNBC  
AMVC960803BNBA  
AMVC960803BNBB  
AMVC960803BNBC  
AMVC960804CNBA  
AMVC960804CNBB  
AMVC960804CNBC  
AMVC961005CNBA  
AMVC961005CNBB  
AMVC961005CNBC  
AMVC961005DNBA  
AMVC961005DNBB  
AMVC961205DNBA  
AMVC961205DNBB  
AMVC961205DNBC



Amana® is a registered trademark of Maytag Corporation or its related companies and is used under license. All rights reserved.

This manual is to be used by qualified technicians only.

This manual replaces RP-A2316B.

© 2018 , 2021 , 2023 Goodman Company, L.P. ♦ 19001 Kermier Rd. ♦ Waller, TX 77484

# Important Information

---

## Index

Functional Parts List .....	3
Illustration and Parts .....	4 - 11

*Views shown are for parts illustrations only, not servicing procedures.*

### Text Codes:

AR - As Required

NA - Not Available

NS - Not Shown

00000000 - See Note

QTY - Quantity Example (QTY 3) (If Quantity not shown, Quantity = 1)

M - Model Example (M1) (If M Code not shown, then part is used on all Models)

### Expanded Model Nomenclature:

Example M1 - Model#1 M2 - Model#2 M3 - Model#3
---

Goodman Company, L.P. is not responsible for personal injury or property damage resulting from improper service. Review all service information before beginning repairs.

Warranty service must be performed by an authorized technician, using authorized factory parts. If service is required after the warranty expires, Goodman Company, L.P. also recommends contacting an authorized technician and using authorized factory parts.

Goodman Company, L.P. reserves the right to discontinue, or change at any time, specifications or designs without notice or without incurring obligations.

For assistance within the U.S.A. contact:

Homeowner Support  
Goodman Company, L.P.  
19001 Kermier Road  
Waller, Texas 77484  
877-254-4729-Telephone  
713-863-2382-Facsimile

For assistance outside the U.S.A. contact:

International Division  
Goodman Company, L.P.  
19001 Kermier Road  
Waller, Texas 77484  
713-861-2500-Telephone  
713-863-2382-Facsimile

# Functional Parts

**Part No:**            **Description:**

---

20162904            \*PRIMARY LIMIT-TEMPERATURE CONTROL (M1, M2, M3, M7, M8, M9, M10, M11, M12)  
 0130F00038        AUX LIMIT - LT BLUE 120° (QTY 2)  
 SHARED DATA     Available thru CoolCloud HVAC app.  
 0163F00017        BECKETT BURNER (QTY 2)  
 0271F00462        BLOWER HOUSING ASSY (M1, M2, M3)  
 0130F00010        FLAME SENSOR  
 0151M00027        GAS VALVE  
 0257F00375        HEAT EXCHANGER ASSY (M4, M5, M6)  
 0257F00441        HEAT EXCHANGER ASSY. (M16, M17)  
 0257F00292        HEAT EXCHANGER ASSY. (M18, M19, M20)  
 0257F00291        HEAT EXCHANGER ASSY. (M13, M14, M15)  
 0257F00290        HEAT EXCHANGER ASSY. (M10, M11, M12)  
 0257F00289        HEAT EXCHANGER ASSY. (M7, M8, M9)  
 0257F00287        HEAT EXCHANGER ASSY. (M1, M2, M3)  
 0130F00008        IGNITOR-SINI 17 SEC  
 0130M00141        INDUCTOR, 5.9 AMPS (M10, M11, M12, M13, M14, M15, M16, M17, M18, M19, M20)  
 0130M00243        INTERLOCK SWITCH  
 10123527            MANUAL RESET LIMIT (M16, M17, M18, M19, M20)  
 0130F00123        MANUAL RESET LIMIT (M7, M8, M9, M10, M11, M12)  
 10123534            MANUAL RESET LIMIT 220°F (M13, M14, M15)  
 10123539            MANUAL RESET LIMIT-ORANGE (M1, M2, M3, M4, M5, M6)  
 0271F00507        MORRISON 11 X 10 BLOWER (M10, M11, M12, M13, M14, M15)  
 0271F00508        MORRISON 11 X 11 BLOWER (M16, M17, M18, M19, M20)  
 0271F00506        MORRISON 11 X 8 BLOWER (M4, M5, M6, M7, M8, M9)  
 0131M01011        MOTOR, 1 HP (M15, M20)  
 0131M00272        MOTOR, 1 HP, SERIAL ECM (M13, M14, M16, M17, M18, M19)  
 0131M01002        MOTOR, 1/2 HP (M3, M6, M9)  
 0131M00270        MOTOR, 1/2 HP, SERIAL ECM (M1, M2, M4, M5, M7, M8)  
 0131M01003        MOTOR, 3/4 HP (M12)  
 0131M00271        MOTOR, 3/4 HP, SERIAL ECM (M10, M11)  
 0171M00002        MOTOR-ID, BLOWER  
 PCBKF109            PCB, CONTROL BOARD (M2, M3, M5, M6, M8, M9, M11, M12, M14, M15, M17, M19, M20)  
 PCBKF107            PCB, CONTROL BOARD (M1, M4, M7, M10, M13, M16, M18)  
 0130F00433        PRESSURE SWITCH (M1, M2, M3, M4, M5, M6)  
 0130F00485        PRESSURE SWITCH (M1, M2, M3)  
 0130F00434        PRESSURE SWITCH (M13, M14, M15)  
 0130F00436        PRESSURE SWITCH (M7, M8, M9, M10, M11, M12)  
 0130F00443        PRESSURE SWITCH (M16, M17, M18, M19, M20)  
 0130F00429        PRESSURE SWITCH (M4, M5, M6, M7, M8, M9, M10, M11, M12, M13, M14, M15, M16, M17, M18, M19, M20)  
 0130F00036        PRIMARY LIMIT - PINK 180° (M16, M17, M18, M19, M20)  
 20162906            PRIMARY LIMIT - WHITE (M4, M5, M6, M13, M14, M15)  
 0130M00140        TRANSFORMER 120V TO 24V, 40VA  
 0150M00043        WHEEL, BLOWER(10X8) (M1, M2, M3)

**SPECIAL PARTS**

0161M00032        NAMEPLATE, AMANA

**Expanded Model Nomenclature**

M1 - AMVC960403BNBA
M2 - AMVC960403BNBB
M3 - AMVC960403BNBC
M4 - AMVC960603BNBA
M5 - AMVC960603BNBB
M6 - AMVC960603BNBC
M7 - AMVC960803BNBA
M8 - AMVC960803BNBB
M9 - AMVC960803BNBC
M10 - AMVC960804CNBA
M11 - AMVC960804CNBB
M12 - AMVC960804CNBC
M13 - AMVC961005CNBA
M14 - AMVC961005CNBB
M15 - AMVC961005CNBC
M16 - AMVC961005DNBA
M17 - AMVC961005DNBB
M18 - AMVC961205DNBA
M19 - AMVC961205DNBB
M20 - AMVC961205DNBC

# Cabinet Assembly

IMAGE 1

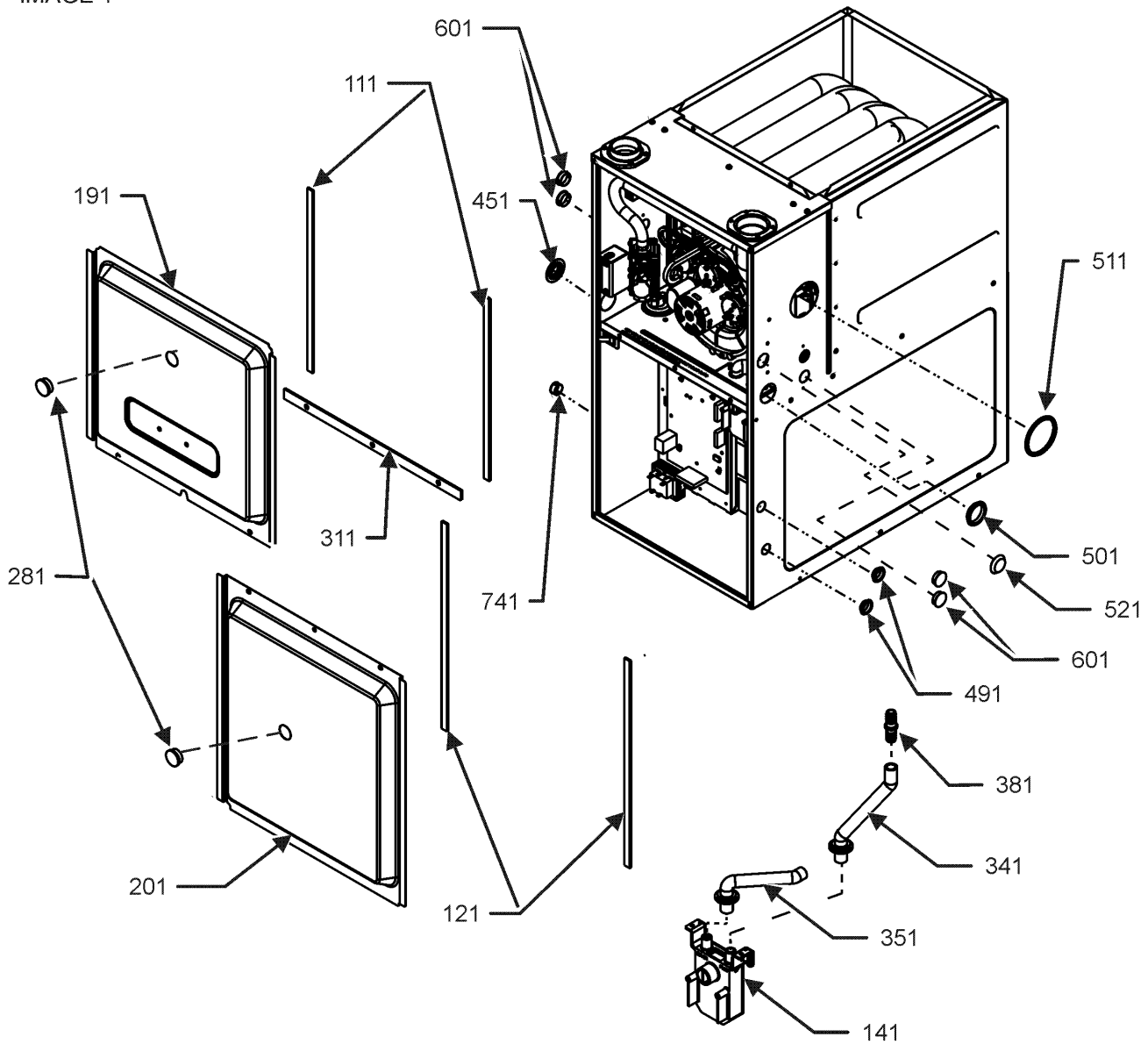
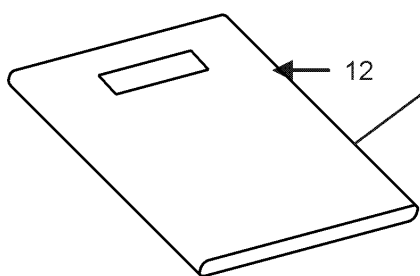
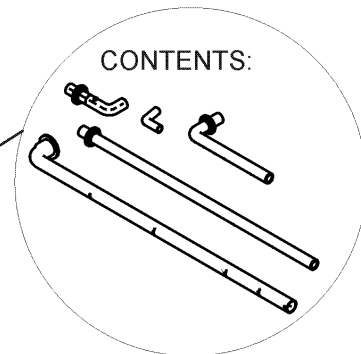
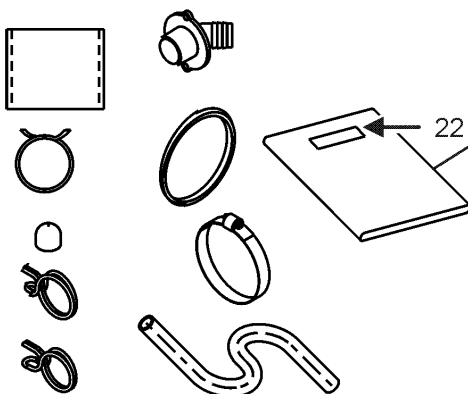


IMAGE 2



CONTENTS:



# Cabinet Assembly

Ref. Part No:	No:	Description:	Ref. Part No:	No:	Description:
<b>Image 1:</b>			<b>Expanded Model Nomenclature</b>		
111	0154F00024	GASKET (QTY 2)	M1	-	AMVC960403BNBA
121	0154F00025	GASKET (QTY 2)	M2	-	AMVC960403BNBB
141	0161F00046	DRAIN TRAP	M3	-	AMVC960403BNBC
191	0121F00338LG	DOOR ACCESS 21" PNT (M10, M11, M12, M13, M14, M15)	M4	-	AMVC960603BNBA
191	0121F00337LG	DOOR, ACCESS 17.5" PNT (M1, M2, M3, M4, M5, M6, M7, M8, M9)	M5	-	AMVC960603BNBB
191	0121F00339LG	DOOR, ACCESS 24.5" PNT (M16, M17, M18, M19, M20)	M6	-	AMVC960603BNBC
201	0121F00340LG	DOOR, BLOWER 17.5" PNT (M1, M2, M3, M4, M5, M6, M7, M8, M9)	M7	-	AMVC960803BNBA
201	0121F00341LG	DOOR, BLOWER 21" PNT (M10, M11, M12, M13, M14, M15)	M8	-	AMVC960803BNBB
201	0121F00342LG	DOOR, BLOWER 24.5" PNT (M16, M17, M18, M19, M20)	M9	-	AMVC960803BNBC
281	B1392139	VIEW PORT BUSHING-BLOWER DOOR (QTY 2)	M10	-	AMVC960804CNBA
311	0154F00020	GASKET, DECK (M1, M2, M3, M4, M5, M6, M7, M8, M9)	M11	-	AMVC960804CNBB
311	0154F00021	GASKET, DECK (M10, M11, M12, M13, M14, M15)	M12	-	AMVC960804CNBC
311	0154F00022	GASKET, DECK (M16, M17, M18, M19, M20)	M13	-	AMVC961005CNBA
341	0164F00017	HOSE-ELBOW/TRAP	M14	-	AMVC961005CNBB
351	0164F00006	HOSE, COVER/TRAP (M16, M17, M18, M19, M20)	M15	-	AMVC961005CNBC
351	0164F00024	HOSE, COVER/TRAP (M1, M2, M3, M4, M5, M6, M7, M8, M9, M10, M11, M12, M13, M14, M15)	M16	-	AMVC961005DNBA
381	0161F00047	COUPLING, HOSE BARBED	M17	-	AMVC961005DNBB
451	M0501301	PIPE GROMMET	M18	-	AMVC961205DNBA
491	M0570808	BUTTON PLUG (QTY 3)	M19	-	AMVC961205DNBB
501	M0570806	BUTTON PLUG	M20	-	AMVC961205DNBC
511	M0570807	BUTTON PLUG			
521	0161M00027	PLUG, HOLE			
601	B1392021	PLASTIC PLUG, 1" (2713-BLK) (QTY 4)			
741	B1392104	UNIVERSAL BUSHING UB 875			
NS	M0310345	BUTTON PLUG (QTY 2)			
NS	0163M00319	HEX-NUT INSERT (QTY 3)			
NS	0161M00032	NAMEPLATE, AMANA			
NS	M0273904	RETAINER-SCREW (QTY 3)			
NS	M0209730	SCREW-DECORATIVE (QTY 3)			
<b>Image 2:</b>					
12	0270F05402	DRAIN KIT ASSY			
22	0270F05402	DRAIN KIT ASSY			

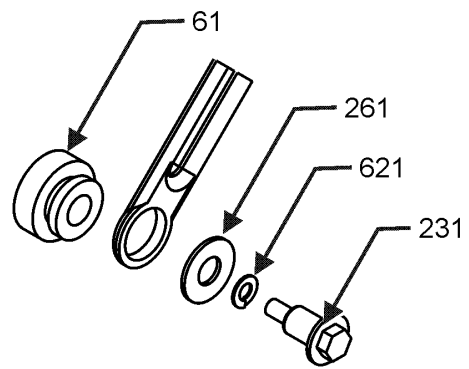
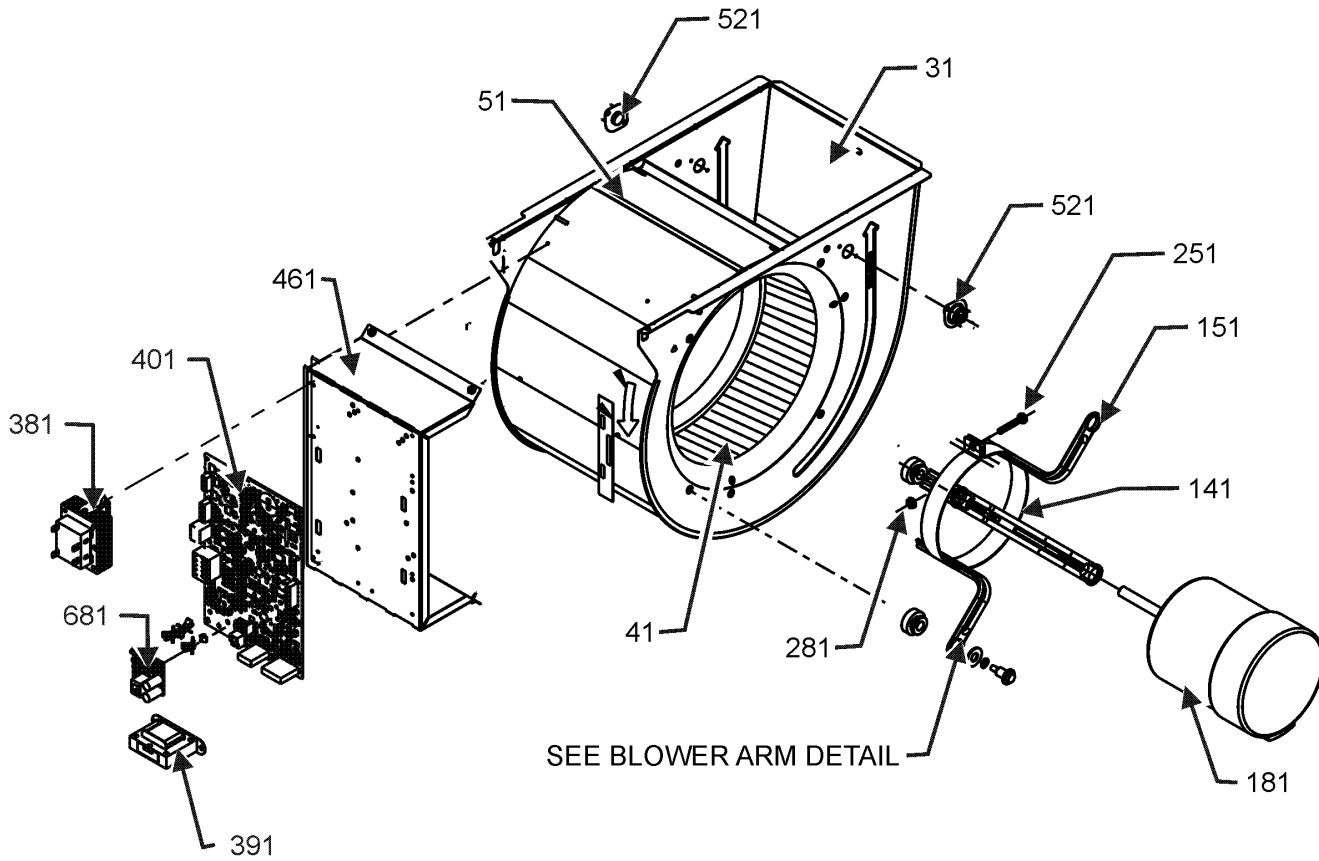
# Blower Assembly

\*If end bells are needed please order the following:

0131M00182 - 1/2 HP

0131M00183 - 3/4 HP

0131M00184 - 1 HP

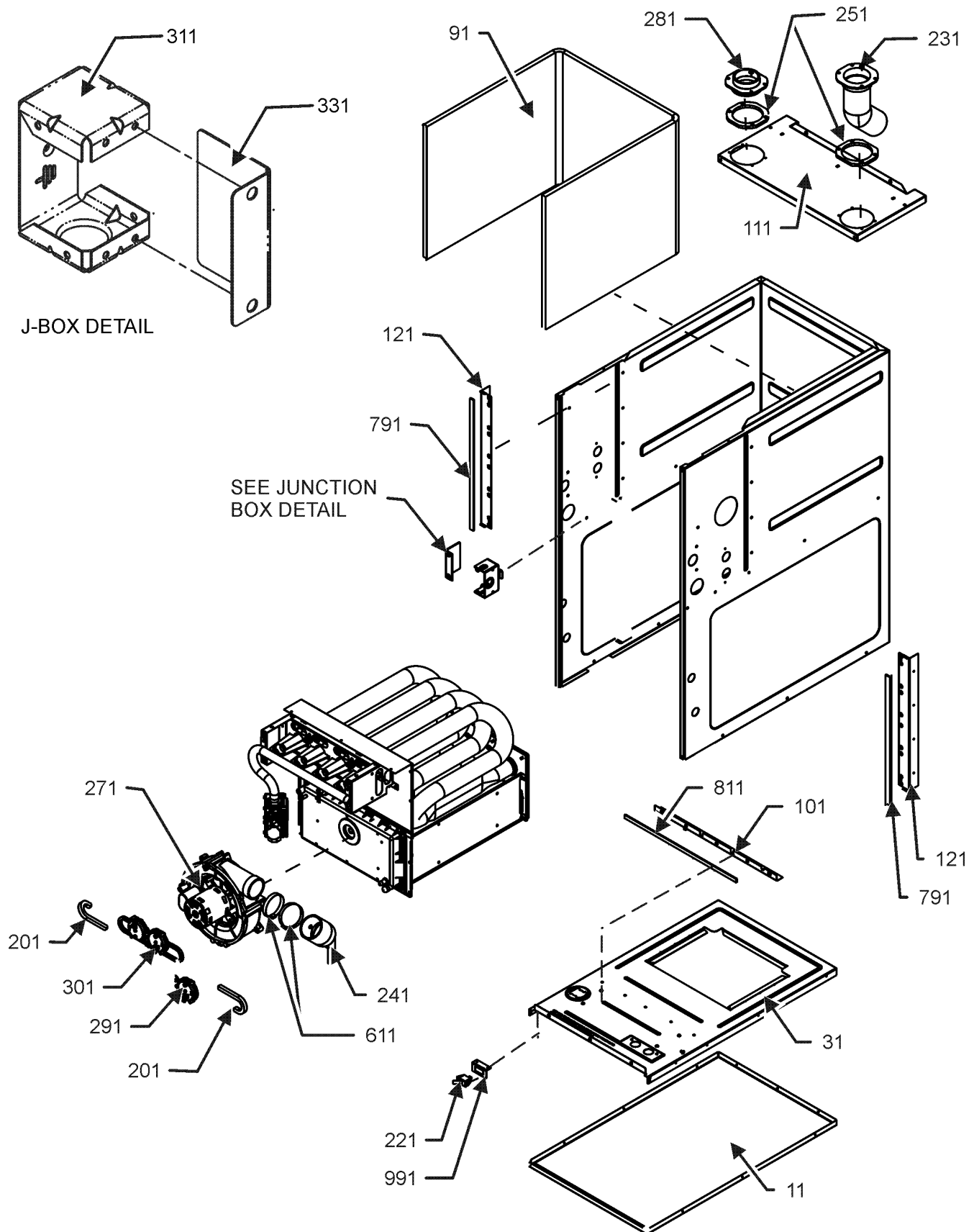


BLOWER ARM DETAIL

# Blower Assembly

Ref. Part No:	Ref. Part No:	Description:	Description:		
<b>Image 1:</b>		<b>Image 1:</b>			
31	0271F00462	BLOWER HOUSING ASSY (M1, M2, M3)	621	B1392820	WASHER, SPLIT LOCK 1/4 BZ (M10, M11, M12, M13, M14, M15, M16, M17, M18, M19, M20)
31	0271F00507	MORRISON 11 X 10 BLOWER (M10, M11, M12, M13, M14, M15)	681	PCBCM100	PCB CONTROL (M1, M4, M7, M10, M13, M16, M18)
31	0271F00508	MORRISON 11 X 11 BLOWER (M16, M17, M18, M19, M20)	NS	SHARED DATA	Av ailable thru CoolCloud HVAC app.
31	0271F00506	MORRISON 11 X 8 BLOWER (M4, M5, M6, M7, M8, M9)	NS	0159F00083	CABLE, RJ12 (M1, M4, M7, M10, M13, M16, M18)
41	0150M00043	WHEEL, BLOWER(10X8) (M1, M2, M3)	NS	0259F00040	CONTROL HARNESS
51	764740	BLWR BLK-OFF, 10X8 (M1, M2, M3)	NS	B1392021	PLASTIC PLUG, 1" (2713-BLK) (QTY 4)
61	A4002702	BLOWER MOTOR GROMMET (M10, M11, M12, M13, M14, M15, M16, M17, M18, M19, M20)	NS	0259F00041	POWER HARNESS HIGH VOLTAGE
141	0121M00038	MOTOR MOUNT BAND (M1, M2, M3, M4, M5, M6, M7, M8, M9)	NS	0259F00024	WIRE HARNESS-BLOWER
141	10441601	MOTOR MOUNT BAND (M10, M11, M12, M13, M14, M15, M16, M17, M18, M19, M20)	<b>Expanded Model Nomenclature</b>		
151	10441501	MOTOR MOUNT ARM (M10, M11, M12, M13, M14, M15, M16, M17, M18, M19, M20)	M1 - AMVC960403BNBA		
151	B1376857	MOTOR MOUNT ARM (M1, M2, M3, M4, M5, M6, M7, M8, M9)	M2 - AMVC960403BNBB		
181	0131M01011	MOTOR, 1 HP (M15, M20)	M3 - AMVC960403BNBC		
181	0131M00272	MOTOR, 1 HP, SERIAL ECM (M13, M14, M16, M17, M18, M19)	M4 - AMVC960603BNBA		
181	0131M01002	MOTOR, 1/2 HP (M3, M6, M9)	M5 - AMVC960603BNBB		
181	0131M00270	MOTOR, 1/2 HP, SERIAL ECM (M1, M2, M4, M5, M7, M8)	M6 - AMVC960603BNBC		
181	0131M01003	MOTOR, 3/4 HP (M12)	M7 - AMVC960803BNBA		
181	0131M00271	MOTOR, 3/4 HP, SERIAL ECM (M10, M11)	M8 - AMVC960803BNBB		
231	0163F00028	SCREW (M10, M11, M12, M13, M14, M15, M16, M17, M18, M19, M20)	M9 - AMVC960803BNBC		
231	M0250565	TC SCREW 1.25" (M1, M2, M3, M4, M5, M6, M7, M8, M9)	M10 - AMVC960804CNBA		
251	M0267144	MACHINE SCREW (M10, M11, M13, M14, M15, M16, M17, M18, M19, M20)	M11 - AMVC960804CNBB		
251	B1393323	MACHINE SCREW HWH 1/4-20 X 1-1/2 BZ (M1, M2, M3, M4, M5, M6, M7, M8, M9, M12)	M12 - AMVC960804CNBC		
261	B1392918	WASHER, FLAT 1/4 ID X 1 OD (M1, M2, M3, M4, M5, M6, M7, M8, M9)	M13 - AMVC961005CNBA		
261	M0274008	WASHER-FLAT (M10, M11, M12, M13, M14, M15, M16, M17, M18, M19, M20)	M14 - AMVC961005CNBB		
281	M0282015	KEPS NUT (M10, M11, M13, M14, M15, M16, M17, M18, M19, M20)	M15 - AMVC961005CNBC		
281	B1393800	LOCKNUT, NYLON, INSERT 1/4, 20 (M1, M2, M3, M4, M5, M6, M7, M8, M9, M12)	M16 - AMVC961005DNBA		
381	0130M00140	TRANSFORMER 120V TO 24V, 40VA	M17 - AMVC961005DNBB		
391	0130M00141	INDUCTOR, 5.9 AMPS (M10, M11, M12, M13, M14, M15, M16, M17, M18, M19, M20)	M18 - AMVC961205DNBA		
401	PCBKF107	PCB, CONTROL BOARD (M1, M4, M7, M10, M13, M16, M18)	M19 - AMVC961205DNBB		
401	PCBKF109	PCB, CONTROL BOARD (M2, M3, M5, M6, M8, M9, M11, M12, M14, M15, M17, M19, M20)	M20 - AMVC961205DNBC		
461	0121F00464	MOUNTING PLATE-CONTROLS	*If end bells are needed please order the follow ing:		
521	0130F00038	AUX LIMIT - LT BLUE 120° (QTY 2)	0131M00182 - 1/2 HP		
			0131M00183 - 3/4 HP		
			0131M00184 - 1 HP		

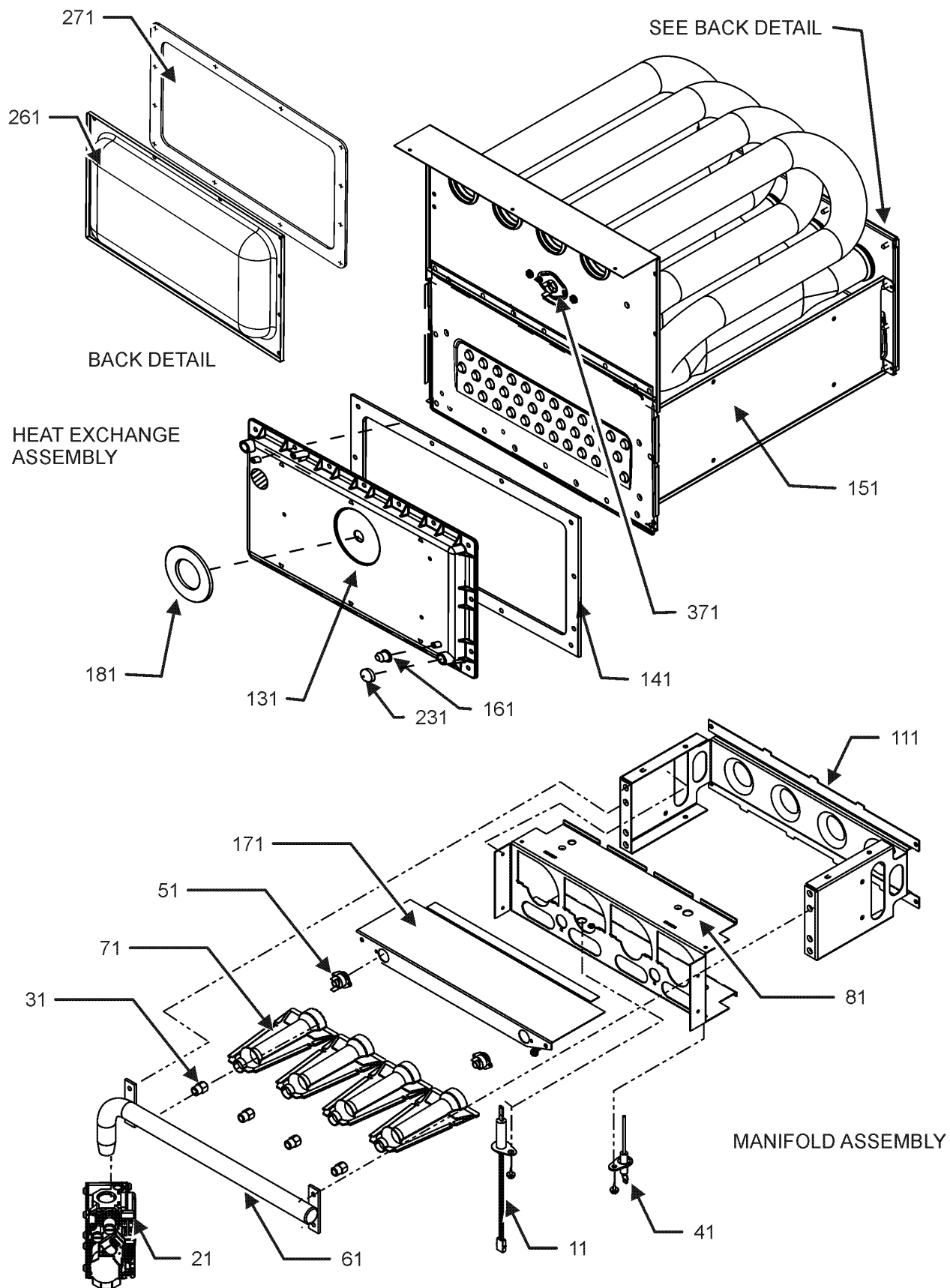
# Chassis Assembly



# Chassis Assembly

Ref. Part No:	Ref. Part No:	Description:	Description:
<b>Image 1:</b>		<b>Expanded Model Nomenclature</b>	
11	0121F00530DG	BASEPAN, 17.5 PNT (M1, M2, M3, M4, M5, M6, M7, M8, M9)	M1 - AMVC960403BNBA M2 - AMVC960403BNBB M3 - AMVC960403BNBC M4 - AMVC960603BNBA M5 - AMVC960603BNBB M6 - AMVC960603BNBC M7 - AMVC960803BNBA M8 - AMVC960803BNBB M9 - AMVC960803BNBC M10 - AMVC960804CNBA M11 - AMVC960804CNBB M12 - AMVC960804CNBC M13 - AMVC961005CNBA M14 - AMVC961005CNBB M15 - AMVC961005CNBC M16 - AMVC961005DNBA M17 - AMVC961005DNBB M18 - AMVC961205DNBA M19 - AMVC961205DNBB M20 - AMVC961205DNBC
11	0121F00531DG	BASEPAN, 21 PNT (M10, M11, M12, M13, M14, M15)	
11	0121F00532DG	BASEPAN, 24.5 PNT (M16, M17, M18, M19, M20)	
31	0121F00766	DECK- BLOWER 17.5" (M1, M2, M3, M4, M5, M6, M7, M8, M9)	
31	0121F00767	DECK- BLOWER 21" (M10, M11, M12, M13, M14, M15)	
31	0121F00768	DECK- BLOWER 24.5" (M16, M17, M18, M19, M20)	
91	0160F00015	INSULATION, HT EXCHANGER 17.5" (M1, M2, M3, M4, M5, M6, M7, M8, M9)	
91	0160F00016	INSULATION, HT EXCHANGER 21" (M10, M11, M12, M13, M14, M15)	
91	0160F00017	INSULATION, HT EXCHANGER 24.5" (M16, M17, M18, M19, M20)	
101	0121F00314	ANGLE, DECK (M1, M2, M3, M4, M5, M6, M7, M8, M9)	
101	0121F00315	ANGLE, DECK (M10, M11, M12, M13, M14, M15)	
101	0121F00316	ANGLE, DECK (M16, M17, M18, M19, M20)	
111	0121F00279DG	PAINTED TOP, FURNACE 17.5 (M1, M2, M3, M4, M5, M6, M7, M8, M9)	
111	0121F00280DG	PAINTED TOP, FURNACE 21 (M10, M11, M12, M13, M14, M15)	
111	0121F00281DG	PAINTED TOP, FURNACE 24.5 (M16, M17, M18, M19, M20)	
121	0121F00313	ANGLE, SIDE (QTY 2)	
201	0164M00115	HOSE- PRESSURE SW 6" (QTY 2)	
221	0130M00243	INTERLOCK SWITCH	
231	0164F00002	FLUE PIPE W/BEND	
241	0164F00025	ELBOW-FLUE,UPFLOW	
251	0154F00041	FRESH AIR GASKET (QTY 2)	
271	0171M00002	MOTOR-ID, BLOWER	
281	0161F00037	COUPLING	
291	0130F00429	PRESSURE SWITCH (M4, M5, M6, M7, M8, M9, M10, M11, M12, M13, M14, M15, M16, M17, M18, M19, M20)	
291	0130F00485	PRESSURE SWITCH (M1, M2, M3)	
301	0130F00433	PRESSURE SWITCH (M1, M2, M3, M4, M5, M6)	
301	0130F00434	PRESSURE SWITCH (M13, M14, M15)	
301	0130F00436	PRESSURE SWITCH (M7, M8, M9, M10, M11, M12)	
301	0130F00443	PRESSURE SWITCH (M16, M17, M18, M19, M20)	
311	0161F00042	JUNCTION BOX PLA	
331	0161F00043	JUNCTION BOX LID	
611	0163M00460	CLAMP HOSE (QTY 2)	
791	0154F00015	GASKET (QTY 2)	
811	0154F00014	GASKET (M1, M2, M3, M4, M5, M6, M7, M8, M9)	
811	0154F00016	GASKET (M10, M11, M12, M13, M14, M15)	
811	20194607	GASKET (M16, M17, M18, M19, M20)	
991	0121F00389	BRACKET, DOOR SWITCH	
NS	M0326804	PLUG-TUBE	

# Heat Exchange Assembly



# Heat Exchange Assembly

Ref. Part No:	Ref. Part No:	Description:	Description:	
<b>Image 1:</b>		<b>Image 1:</b>		
11	0130F00008	IGNITOR-SINI 17 SEC	181 0154F00043 GASKET ID BLOWER	
21	0151M00027	GAS VALVE	231 A1781105 CAP-VINYL .500	
31	10716005	ORIFICE (QTY 2)	261 0121F00317 COVER, REAR (M1, M2, M3, M4, M5, M6, M7, M8, M9)	
41	0130F00010	FLAME SENSOR	261 0121F00318 COVER, REAR (M10, M11, M12, M13, M14, M15)	
51	0130F00123	MANUAL RESET LIMIT (M7, M8, M9, M10, M11, M12)	261 0121F00319 COVER, REAR (M16, M17, M18, M19, M20)	
51	10123527	MANUAL RESET LIMIT (M16, M17, M18, M19, M20)	271 0154F00037 GASKET, REAR CVR (M1, M2, M3, M4, M5, M6, M7, M8, M9)	
51	10123534	MANUAL RESET LIMIT 220°F (M13, M14, M15)	271 0154F00038 GASKET, REAR CVR (M10, M11, M12, M13, M14, M15)	
51	10123539	MANUAL RESET LIMIT-ORANGE (M1, M2, M3, M4, M5, M6)	271 0154F00039 GASKET, REAR CVR (M16, M17, M18, M19, M20)	
61	0163F00007	MANIFOLD (M1, M2, M3)	371 20162904 *PRIMARY LIMIT-TEMPERATURE CONTROL (M1, M2, M3, M7, M8, M9, M10, M11, M12)	
61	0163F00008	MANIFOLD (M4, M5, M6)	371 0130F00036 PRIMARY LIMIT - PINK 180° (M16, M17, M18, M19, M20)	
61	0163F00009	MANIFOLD (M10, M11, M12)	371 20162906 PRIMARY LIMIT - WHITE (M4, M5, M6, M13, M14, M15)	
61	0163F00010	MANIFOLD (M13, M14, M15, M16, M17)	NS 0121F00415 AIR FURN BAFFLE	
61	0163F00011	MANIFOLD (M18, M19, M20)	NS 0121F00583 INSULATION, RETAINER (M1, M2, M3, M4, M5, M6, M7, M8, M9)	
61	0163F00014	MANIFOLD (M7, M8, M9)	NS 0121F00584 INSULATION, RETAINER (M10, M11, M12, M13, M14, M15)	
71	0163F00017	BECKETT BURNER (QTY 2)	NS 0121F00585 INSULATION, RETAINER (M16, M17, M18, M19, M20)	
81	0121F00456	BRACKET-BURNER 2 (M1, M2, M3)	NS 0121F00439 PRIMARY LIMIT-HEAT SHIELD	
81	0121F00455	BRACKET-BURNER 3 (M4, M5, M6)	NS 0121F00355 SHIELD, COIL (QTY 2)	
81	0121F00454	BRACKET-BURNER 4 (M7, M8, M9, M10, M11, M12)	<b>Expanded Model Nomenclature</b>	
81	0121F00453	BRACKET-BURNER 5 (M13, M14, M15, M16, M17)	M1 - AMVC960403BNBA	
81	0121F00451	BRACKET-BURNER 6 (M18, M19, M20)	M2 - AMVC960403BNBB	
111	0121F00469	ORIFICE BRACKET-BURNER 2 (M1, M2, M3)	M3 - AMVC960403BNBC	
111	0121F00468	ORIFICE BRACKET-BURNER 3 (M4, M5, M6)	M4 - AMVC960603BNBA	
111	0121F00467	ORIFICE BRACKET-BURNER 4 (M7, M8, M9, M10, M11, M12)	M5 - AMVC960603BNBB	
111	0121F00466	ORIFICE BRACKET-BURNER 5 (M13, M14, M15, M16, M17)	M6 - AMVC960603BNBC	
111	0121F00465	ORIFICE BRACKET-BURNER 6 (M18, M19, M20)	M7 - AMVC960803BNBA	
131	0161F00022	COVER, FRONT (M7, M8, M9)	M8 - AMVC960803BNBB	
131	0161F00026	COVER, FRONT (M13, M14, M15)	M9 - AMVC960803BNBC	
131	0161F00030	COVER, FRONT (M10, M11, M12)	M10 - AMVC960804CNBA	
131	0161F00053	COVER, FRONT (M1, M2, M3)	M11 - AMVC960804CNBB	
131	0161F00054	COVER, FRONT (M4, M5, M6)	M12 - AMVC960804CNBC	
131	0161F00063	COVER, FRONT (M18, M19, M20)	M13 - AMVC961005CNBA	
131	0161F00084	COVER, FRONT (M16, M17)	M14 - AMVC961005CNBB	
141	0154F00026	GASKET FRONT COVER (M1, M2, M3, M4, M5, M6, M7, M8, M9)	M15 - AMVC961005CNBC	
141	0154F00030	GASKET FRONT COVER (M10, M11, M12, M13, M14, M15)	M16 - AMVC961005DNBA	
141	0154F00034	GASKET FRONT COVER (M16, M17, M18, M19, M20)	M17 - AMVC961005DNBB	
151	0257F00375	HEAT EXCHANGER ASSY (M4, M5, M6)	M18 - AMVC961205DNBA	
151	0257F00287	HEAT EXCHANGER ASSY. (M1, M2, M3)	M19 - AMVC961205DNBB	
151	0257F00289	HEAT EXCHANGER ASSY. (M7, M8, M9)	M20 - AMVC961205DNBC	
151	0257F00290	HEAT EXCHANGER ASSY. (M10, M11, M12)		
151	0257F00291	HEAT EXCHANGER ASSY. (M13, M14, M15)		
151	0257F00292	HEAT EXCHANGER ASSY. (M18, M19, M20)		
151	0257F00441	HEAT EXCHANGER ASSY. (M16, M17)		
161	M0326804	TUBE PLUG		
171	0121F00539	SHEILD, BURNER (M1, M2, M3)		
171	0121F00540	SHEILD, BURNER (M4, M5, M6)		
171	0121F00541	SHEILD, BURNER (M7, M8, M9, M10, M11, M12)		
171	0121F00542	SHEILD, BURNER (M13, M14, M15, M16, M17)		
171	0121F00543	SHEILD, BURNER (M18, M19, M20)		