

AMVC 80% Two Stage Variable Speed Upflow Furnace

AMVC80603BNBC
AMVC80603BNBD
AMVC80603BXBC
AMVC80603BXBD
AMVC80604BNBD
AMVC80604BXBD
AMVC80803BNBC
AMVC80803BNBD
AMVC80803BXBC
AMVC80803BXBD
AMVC80804CNBC
AMVC80804CNBD
AMVC80804CXBC
AMVC80804CXBD
AMVC80805CNBD
AMVC80805CXBD
AMVC80805DNBC
AMVC80805DNBD
AMVC80805DXBC
AMVC80805DXBD
AMVC81005CNBD
AMVC81005CXBD



Amana® is a registered trademark of Maytag Corporation or its related companies and is used under license. All rights reserved.

This manual is to be used by qualified technicians only.

This manual replaces RP-A2301.

© 2016 , 2018 Goodman Manufacturing Company, L.P. ♦ 5151 San Felipe St, Suite 500 ♦ Houston, TX 77056

Important Information

Index

Functional Parts List	3
Illustration and Parts	4 - 9

Views shown are for parts illustrations only, not servicing procedures.

Text Codes:

AR - As Required

NA - Not Available

NS - Not Shown

00000000 - See Note

QTY - Quantity Example (QTY 3) (If Quantity not shown, Quantity = 1)

M - Model Example (M1) (If M Code not shown, then part is used on all Models)

Expanded Model Nomenclature:

Example
M1 - Model#1
M2 - Model#2
M3 - Model#3

Goodman Manufacturing Company, L.P. is not responsible for personal injury or property damage resulting from improper service. Review all service information before beginning repairs.

Warranty service must be performed by an authorized technician, using authorized factory parts. If service is required after the warranty expires, Goodman Manufacturing Company, L.P. also recommends contacting an authorized technician and using authorized factory parts.

Goodman Manufacturing Company, L.P. reserves the right to discontinue, or change at any time, specifications or designs without notice or without incurring obligations.

For assistance within the U.S.A. contact:

Homeowner Support

Goodman Manufacturing Company, L.P.

19001 Kermier Road

Waller, Texas 77484

877-254-4729-Telephone

713-863-2382-Facsimile

For assistance outside the U.S.A. contact:

International Division

Goodman Manufacturing Company, L.P.

19001 Kermier Road

Waller, Texas 77484

713-861-2500-Telephone

713-863-2382-Facsimile

Functional Parts

Part No: **Description:**

20162904	*PRIMARY LIMIT-TEMPERATURE CONTROL (M7, M8, M9, M10, M11, M12, M13, M14, M17, M18, M19, M20)
0130F00049	AIR PRESSURE SWITCH (M5, M6, M15, M16)
0130F00547	DATA, FURNACE PCB (M7, M8)
0130F00409	DATA, FURNACE PCB (M5)
0130F00410	DATA, FURNACE PCB (M6)
0130F00411	DATA, FURNACE PCB (M15)
0130F00412	DATA, FURNACE PCB (M16)
0130F00413	DATA, FURNACE PCB (M21)
0130F00414	DATA, FURNACE PCB (M22)
0130F00546	DATA, FURNACE PCB (M3, M4)
0130F00548	DATA, FURNACE PCB (M9, M10)
0130F00549	DATA, FURNACE PCB (M11, M12)
0130F00550	DATA, FURNACE PCB (M13, M14)
0130F00551	DATA, FURNACE PCB (M17, M18)
0130F00552	DATA, FURNACE PCB (M19, M20)
0130F00545	DATA, FURNACE PCB (M1, M2)
0130F00571	DUAL STAGE PRESSURE SWITCH (M1, M2, M3, M4, M17, M18, M19, M20)
0130F00570	DUAL STAGE PRESSURE SWITCH (M11, M12, M13, M14)
0130F00569	DUAL STAGE PRESSURE SWITCH (M7, M8, M9, M10)
0130F00010	FLAME SENSOR
0151M00027	GAS VALVE
0130M00141	INDUCTOR, 5.9 AMPS (GMPE100-4) (M5, M6, M15, M16, M17, M18, M19, M20, M21, M22)
10690402	INTERLOCK SWITCH
0130F00038	LIMIT, PRIMARY 120 LT BLUE
0130M00063	LIMIT, PRIMARY, 140, GOLD (M5, M6, M15, M16)
20162905	LIMIT-YELLOW (M21, M22)
10123529	MANUAL RESET R.O.S. LIMIT (QTY 2)
0131M00270	MOTOR, 1/2 HP, SERIAL ECM (M1, M2, M3, M4, M7, M8, M9, M10, M11, M12, M13, M14)
0131M00271	MOTOR, 3/4 HP, SERIAL ECM (M5, M6, M15, M16, M17, M18, M19, M20, M21, M22)
0131M00781P	MOTOR, VENT 2-STAGE
PCBKF105	PCB CONTROL BOARD
20162903	PRIMARY LIMIT - BLUE (M1, M2, M3, M4)
0130F00008	SINI IGNITOR
B1370210	SW, AIR PRESSURE 2 STAGE, PINK (M21, M22)
0130M00140	TRANSFORMER,(120V TO 24V,40VA,

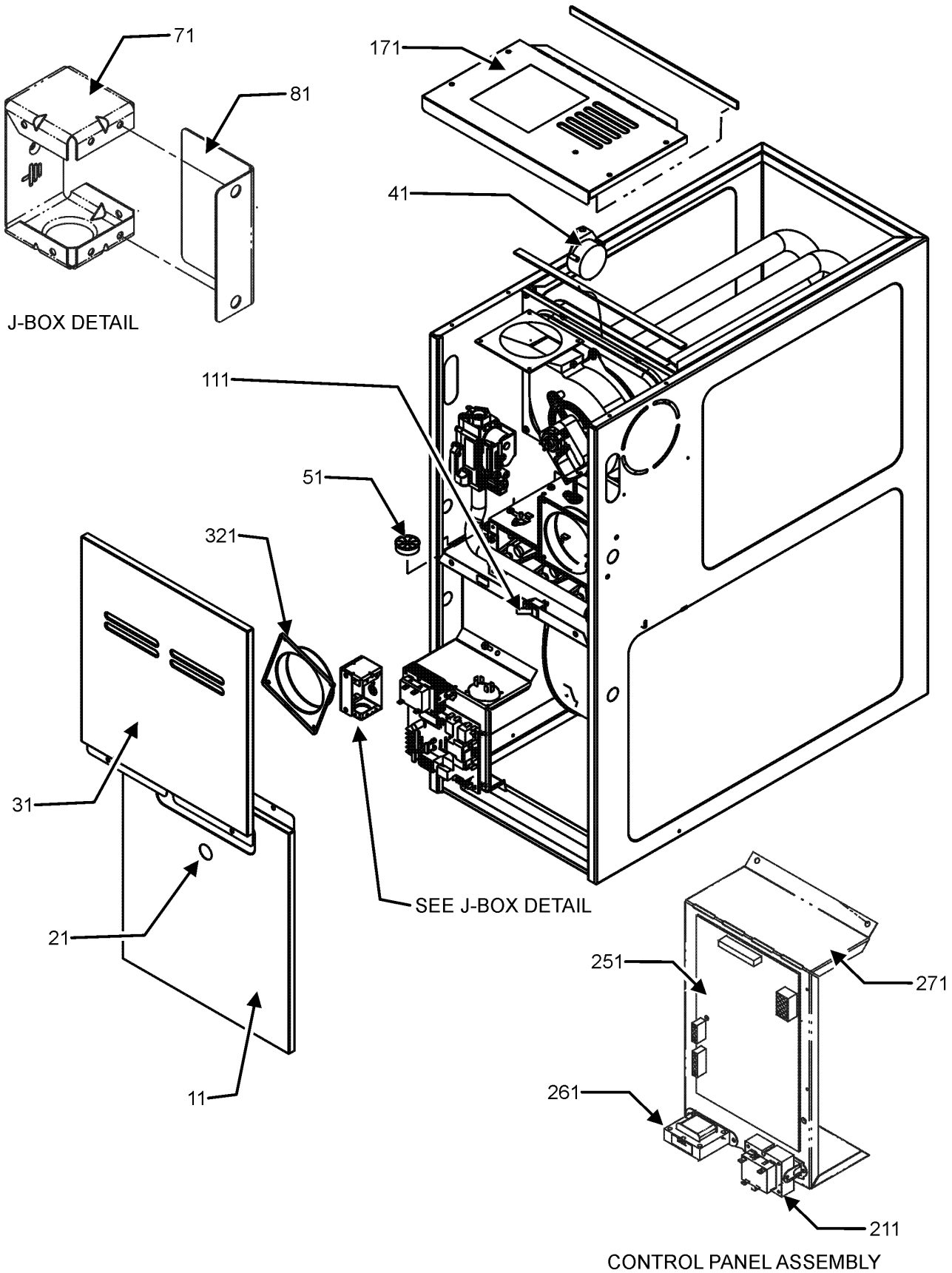
Expanded Model Nomenclature

M1 - AMVC80603BNBC
M2 - AMVC80603BNBD
M3 - AMVC80603BXBC
M4 - AMVC80603BXBD
M5 - AMVC80604BNBD
M6 - AMVC80604BXBD
M7 - AMVC80803BNBC
M8 - AMVC80803BNBD
M9 - AMVC80803BXBC
M10 - AMVC80803BXBD
M11 - AMVC80804CNBC
M12 - AMVC80804CNBD
M13 - AMVC80804CXBC
M14 - AMVC80804CXBD
M15 - AMVC80805CNBD
M16 - AMVC80805CXBD
M17 - AMVC80805DNBC
M18 - AMVC80805DNBD
M19 - AMVC80805DXBC
M20 - AMVC80805DXBD
M21 - AMVC81005CNBD
M22 - AMVC81005CXBD

SPECIAL PARTS

0161F00006	AMANA NAMEPLATE
------------	-----------------

CABINET ASSEMBLY

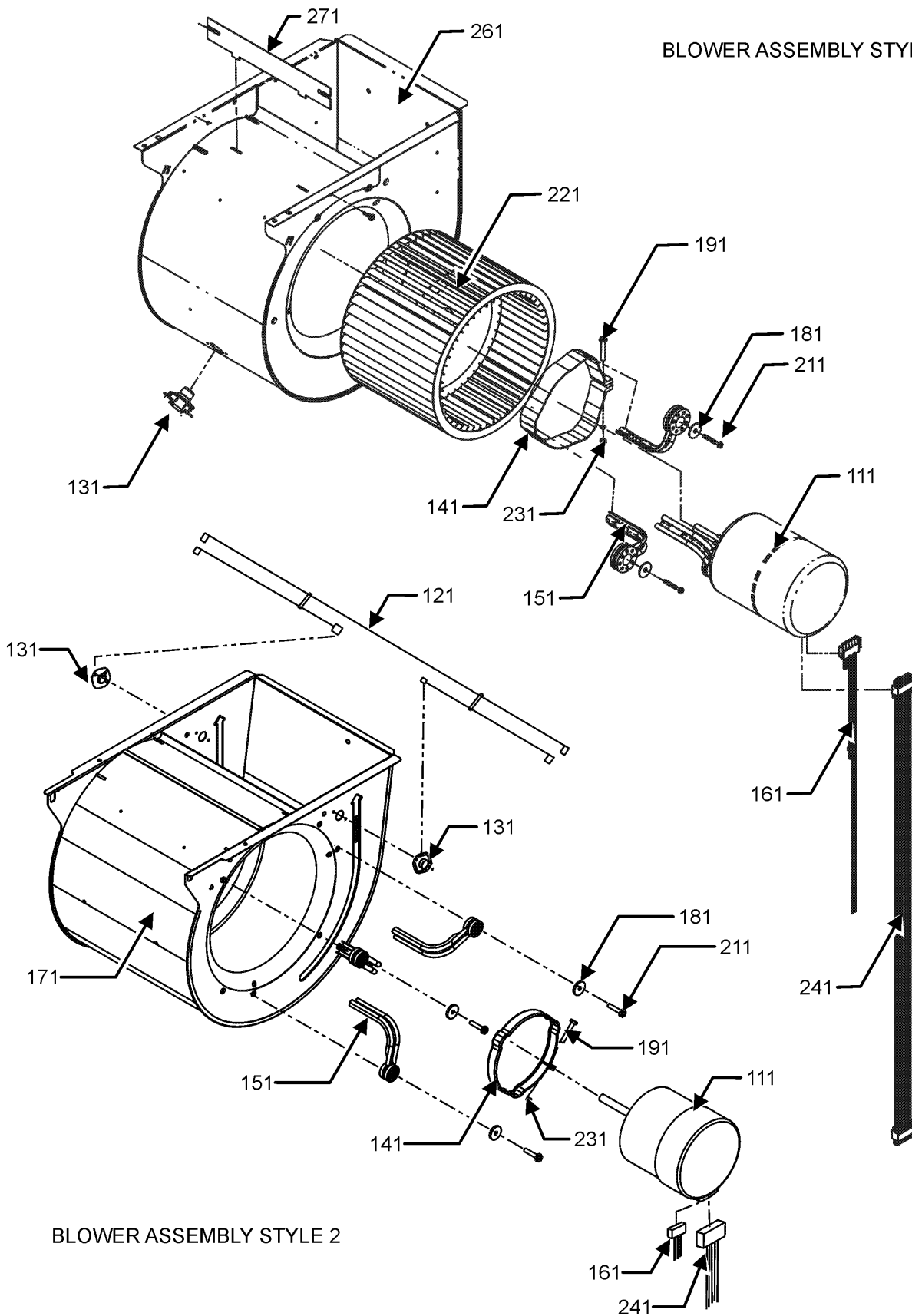


CABINET ASSEMBLY

Ref. Part No:	No:	Description:	Ref. Part No:	No:	Description:
<i>Image 1:</i>			Expanded Model Nomenclature		
11	0121F00123LG	DOOR, BLOWER, 17.5" PAINTED (M1, M2, M3, M4, M5, M6, M7, M8, M9, M10)	M1 - AMVC80603BNBC		
11	0121F00124LG	DOOR, BLOWER, 21"-PAINTED (M11, M12, M13, M14, M15, M16, M21, M22)	M2 - AMVC80603BNBD		
11	0121F00125LG	DOOR, BLOWER, 24.5"-PAINTED (M17, M18, M19, M20)	M3 - AMVC80603BXBC		
21	B1392139	VIEW PORT BUSHING-BLOWER DOOR	M4 - AMVC80603BXBD		
31	0121F00119LG	CONTROL ACCESS DOOR 17.5" (M1, M2, M3, M4, M5, M6, M7, M8, M9, M10)	M5 - AMVC80604BNBD		
31	0121F00120LG	CONTROL ACCESS DOOR 21" (M11, M12, M13, M14, M15, M16, M21, M22)	M6 - AMVC80604BXBD		
31	0121F00121LG	CONTROL ACCESS DOOR 24.5" (M17, M18, M19, M20)	M7 - AMVC80803BNBC		
41	0130F00049	AIR PRESSURE SWITCH (M5, M6, M15, M16)	M8 - AMVC80803BNBD		
41	0130F00569	DUAL STAGE PRESSURE SWITCH (M7, M8, M9, M10)	M9 - AMVC80803BXBC		
41	0130F00570	DUAL STAGE PRESSURE SWITCH (M11, M12, M13, M14)	M10 - AMVC80803BXBD		
41	0130F00571	DUAL STAGE PRESSURE SWITCH (M1, M2, M3, M4, M17, M18, M19, M20)	M11 - AMVC80804CNBC		
41	B1370210	SW, AIR PRESSURE 2 STAGE, PINK (M21, M22)	M12 - AMVC80804CNBD		
51	B1392147	UNIVERSAL BUSHING WITH SLICE	M13 - AMVC80804CXBC		
71	4014502	J-BOX	M14 - AMVC80804CXBD		
81	4015502	COVER, J-BOX	M15 - AMVC80805CNBD		
111	10690402	INTERLOCK SWITCH	M16 - AMVC80805CXBD		
171	0121F00142DG	TOP 17.5" (M1, M2, M3, M4, M5, M6, M7, M8, M9, M10)	M17 - AMVC80805DNBC		
171	0121F00143DG	TOP 21" (M11, M12, M13, M14, M15, M16, M21, M22)	M18 - AMVC80805DNBD		
171	0121F00463DG	TOP, FURNACE 24.5" (M17, M18, M19, M20)	M19 - AMVC80805DXBC		
211	0130M00140	TRANSFORMER, (120V TO 24V, 40VA,	M20 - AMVC80805DXBD		
251	PCBKF105	PCB CONTROL BOARD	M21 - AMVC81005CNBD		
261	0130M00141	INDUCTOR, 5.9 AMPS (GMPE100-4) (M5, M6, M15, M16, M17, M18, M19, M20, M21, M22)	M22 - AMVC81005CXBD		
271	0121F00218	PANEL, CONTROL MOUNTING			
321	4023500	CHIMNEY TRANSITION TOP			
NS	0161F00006	AMANA NAMEPLATE			
NS	0130F00409	DATA, FURNACE PCB (M5)			
NS	0130F00410	DATA, FURNACE PCB (M6)			
NS	0130F00411	DATA, FURNACE PCB (M15)			
NS	0130F00412	DATA, FURNACE PCB (M16)			
NS	0130F00413	DATA, FURNACE PCB (M21)			
NS	0130F00414	DATA, FURNACE PCB (M22)			
NS	0130F00545	DATA, FURNACE PCB (M1, M2)			
NS	0130F00546	DATA, FURNACE PCB (M3, M4)			
NS	0130F00547	DATA, FURNACE PCB (M7, M8)			
NS	0130F00548	DATA, FURNACE PCB (M9, M10)			
NS	0130F00549	DATA, FURNACE PCB (M11, M12)			
NS	0130F00550	DATA, FURNACE PCB (M13, M14)			
NS	0130F00551	DATA, FURNACE PCB (M17, M18)			
NS	0130F00552	DATA, FURNACE PCB (M19, M20)			

BLOWER ASSEMBLY

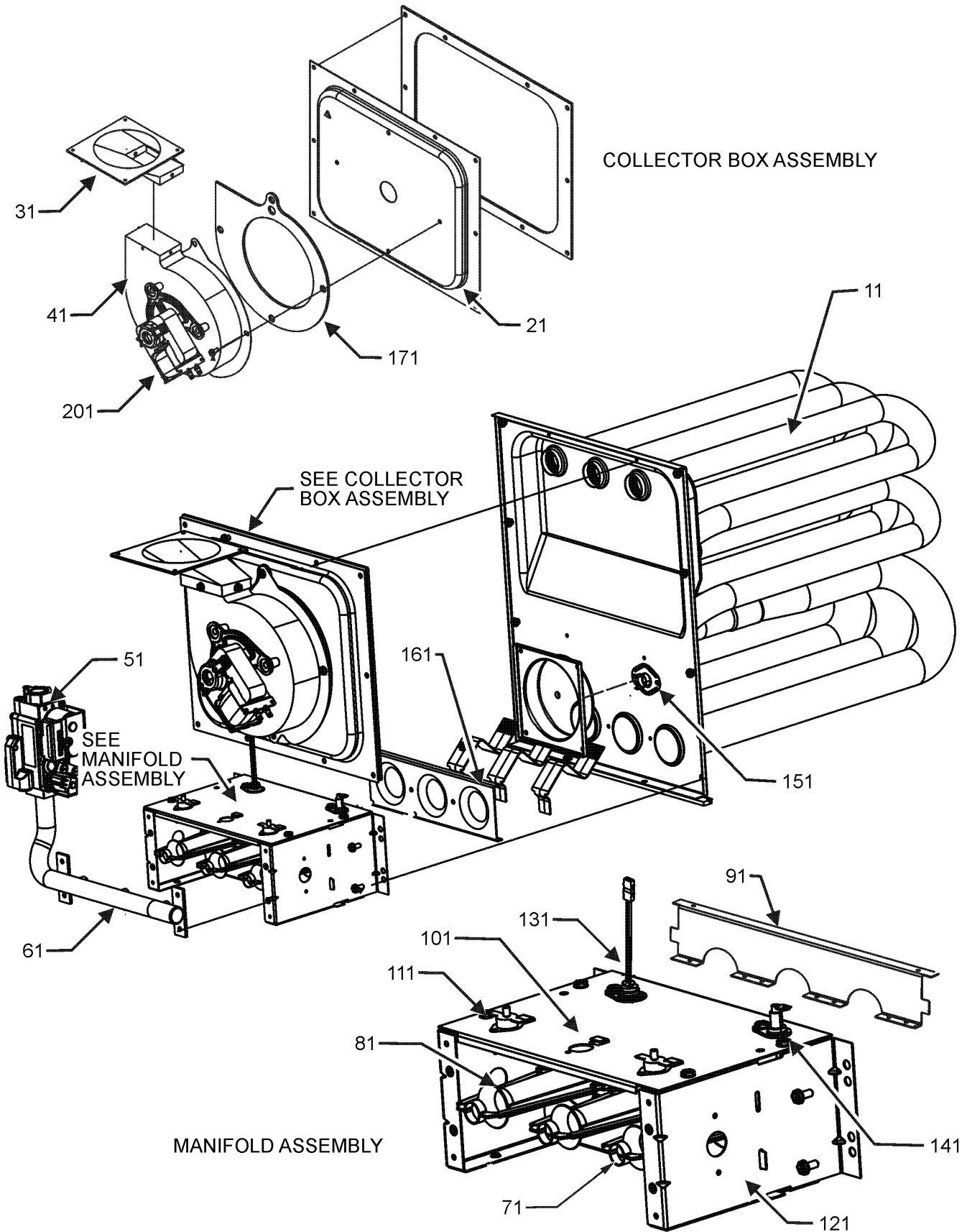
BLOWER ASSEMBLY STYLE 1



BLOWER ASSEMBLY

Ref. Part No:	No:	Description:	Ref. Part No:	No:	Description:
<i>Image 1:</i>			Expanded Model Nomenclature		
111	0131M00270	MOTOR, 1/2 HP, SERIAL ECM (M1, M2, M3, M4, M7, M8, M9, M10, M11, M12, M13, M14)	M1 - AMVC80603BNBC		
111	0131M00271	MOTOR, 3/4 HP, SERIAL ECM (M5, M6, M15, M16, M17, M18, M19, M20, M21, M22)	M2 - AMVC80603BNBD		
121	0259F00024	WIRE HARNESS-BLOWER (M11, M12, M13, M14, M17, M18, M19, M20)	M3 - AMVC80603BXBC		
131	0130F00038	LIMIT, PRIMARY 120 LT BLUE	M4 - AMVC80603BXBD		
141	0121M00038	MOTOR MOUNT BAND (M1, M2, M3, M4, M5, M6, M7, M8, M9, M10)	M5 - AMVC80604BNBD		
141	0121M00039	MOTOR MOUNT BAND (HEAVY DUTY) (M11, M12, M13, M14, M15, M16, M17, M18, M19, M20, M21, M22)	M6 - AMVC80604BXBD		
151	B1376853	MOTOR MOUNT ARM (M1, M2, M3, M4, M5, M6, M7, M8, M9, M10)	M7 - AMVC80803BNBC		
151	B1376863	MOTOR MOUNT ARM (HEAVY DUTY) (M11, M12, M13, M14, M15, M16, M17, M18, M19, M20, M21, M22)	M8 - AMVC80803BNBD		
161	0259F00049	HARNESS-POWER	M9 - AMVC80803BXBC		
171	0271F00303	BLOWER SHELL & WHEEL (M11, M12, M13, M14, M17, M18, M19, M20)	M10 - AMVC80803BXBD		
181	B1392918	WASHER, FLAT 1/4 ID X 1 OD (QTY 3)	M11 - AMVC80804CNBC		
191	0163M00320	HEX HEAD ALL THREAD TAP BOLT	M12 - AMVC80804CNBD		
211	M0250565	SCREW-TC 1.25" (QTY 3)	M13 - AMVC80804CXBC		
221	0150M00043	WHEEL, BLOWER (10X8) (M1, M2, M3, M4, M7, M8, M9, M10)	M14 - AMVC80804CXBD		
231	B1393800	LOCKNUT, NYLON INSERT 1/4 20	M15 - AMVC80805CNBD		
241	0259M00008	WIRE HARNESS	M16 - AMVC80805CXBD		
261	0271F00111	BLOWER SHELL ASSY (M1, M2, M3, M4, M5, M6, M7, M8, M9, M10)	M17 - AMVC80805DNBC		
271	764740	BLOWER BLOCK-OFF 10 X 8 (M1, M2, M3, M4, M5, M6, M7, M8, M9, M10)	M18 - AMVC80805DNBD		
			M19 - AMVC80805DXBC		
			M20 - AMVC80805DXBD		
			M21 - AMVC81005CNBD		
			M22 - AMVC81005CXBD		

HEAT EXCHANGE ASSEMBLY



HEAT EXCHANGE ASSEMBLY

Ref. Part No:	Ref. Part No:	Description:	Description:
Image 1:		Image 1:	
11	0270F00933	HEAT EXCHANGER ASSY (M1, M2, M3, M4, M5, M6)	NS 0259F00063 WIRE HARNESS ASSY
11	0270F00934	HEAT EXCHANGER ASSY (M7, M8, M9, M10)	NS 0259F00081 WIRE HARNESS ASSY (M1, M3, M7, M9, M11, M13, M17, M19)
11	0270F00935	HEAT EXCHANGER ASSY (M11, M12, M13, M14, M15, M16)	NS 0259F00276 WIRE HARNESS ASSY (M2, M4, M5, M6, M8, M10, M12, M14, M15, M16, M18, M20, M21, M22)
11	0270F00936	HEAT EXCHANGER ASSY (M21, M22)	
11	0270F03017	HEAT EXCHANGER ASSY (M17, M18, M19, M20)	
21	0121F00328	17.5" COLLECTOR BOX 1.250" DIA (M1, M2, M3, M4)	
21	0121F00332	17.5" COLLECTOR BOX 1.375" DIA (M5, M6)	
21	0121F00334	21" COLLECTOR BOX 1.625" DIA (M17, M18, M19, M20)	
21	0121F00333	21" COLLECTOR BOX 1.75" DIA (M21, M22)	
21	0121F00336	21" FLUE COLLECTOR BOX 1.50" (M15, M16)	
21	0121F00655	COLLECTOR BOX 17.5" 1.437 DIA (M7, M8, M9, M10)	
21	0121F00659	COLLECTOR BOX 21" 1.40 DIA (M11, M12, M13, M14)	
31	0128F00006	CHIMNEY TRANSITION BOTTOM	
41	0131M00781P	MOTOR, VENT 2-STAGE	
51	0151M00027	GAS VALVE	
61	0120F00007	MANIFOLD (M1, M2, M3, M4, M5, M6)	
61	0120F00008	MANIFOLD (M7, M8, M9, M10, M11, M12, M13, M14, M15, M16, M17, M18, M19, M20)	
61	0120F00009	MANIFOLD (M21, M22)	
71	10716005	ORIFICE (QTY 3)	
81	B4022700	INSHOT BURNER ASSY 3" (QTY 3)	
91	0121F00168	BURNER RACK, 3 CELL (M1, M2, M3, M4, M5, M6)	
91	0121F00169	BURNER RACK, 4 CELL (M7, M8, M9, M10, M11, M12, M13, M14, M15, M16, M17, M18, M19, M20)	
91	0121F00170	BURNER RACK, 5 CELL (M21, M22)	
101	0121F00163	TOP, BURNER BOX 3 CELL (M1, M2, M3, M4, M5, M6)	
101	0121F00164	TOP, BURNER BOX 4 CELL (M7, M8, M9, M10, M11, M12, M13, M14, M15, M16, M17, M18, M19, M20)	
101	0121F00165	TOP, BURNER BOX 5 CELL (M21, M22)	
111	10123529	MANUAL RESET R.O.S. LIMIT (QTY 2)	
121	0121F00146	BURNER BOX SIDE (QTY 2)	
131	0130F00008	SINI IGNITOR	
141	0130F00010	FLAME SENSOR	
151	20162904	*PRIMARY LIMIT-TEMPERATURE CONTROL (M7, M8, M9, M10, M11, M12, M13, M14, M17, M18, M19, M20)	
151	0130M00063	LIMIT, PRIMARY, 140, GOLD (M5, M6, M15, M16)	
151	20162905	LIMIT-YELLOW (M21, M22)	
151	20162903	PRIMARY LIMIT - BLUE (M1, M2, M3, M4)	
161	4028001	ORIFICE PLATE, 3CELL (M1, M2, M3, M4, M5, M6)	
161	4028002	ORIFICE PLATE, 4CELL (M7, M8, M9, M10, M11, M12, M13, M14, M15, M16, M17, M18, M19, M20)	
161	4028003	ORIFICE PLATE, 5CELL (M21, M22)	
171	0154F00004	VENT MOTOR GASKET 17.5" (M1, M2, M3, M4, M5, M6, M7, M8, M9, M10)	
171	0154F00005	VENT MOTOR GASKET 21" (M11, M12, M13, M14, M15, M16, M17, M18, M19, M20, M21, M22)	
201	DY6.186.070	VENT MOTOR CAPACITOR	
NS	0259M00005	HARNESS ADAPTER	
NS	0259F00062	INDUCER HARNESS ASSY	

Expanded Model Nomenclature

M1 - AMVC80603BNBC
M2 - AMVC80603BNBD
M3 - AMVC80603BXBC
M4 - AMVC80603BXBD
M5 - AMVC80604BNBD
M6 - AMVC80604BXBD
M7 - AMVC80803BNBC
M8 - AMVC80803BNBD
M9 - AMVC80803BXBC
M10 - AMVC80803BXBD
M11 - AMVC80804CNBC
M12 - AMVC80804CNBD
M13 - AMVC80804CXBC
M14 - AMVC80804CXBD
M15 - AMVC80805CNBD
M16 - AMVC80805CXBD
M17 - AMVC80805DNBC
M18 - AMVC80805DNBD
M19 - AMVC80805DXBC
M20 - AMVC80805DXBD
M21 - AMVC81005CNBD
M22 - AMVC81005CXBD