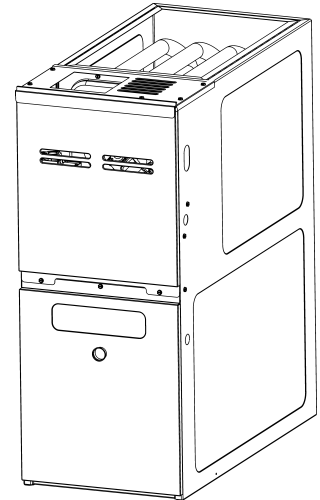


## AMVC 80% High Efficient Furnace

AMVC800603BNAC  
AMVC800603BNAD  
AMVC800603BXAC  
AMVC800603BXAD  
AMVC800604BNAC  
AMVC800604BNAD  
AMVC800604BXAC  
AMVC800604BXAD  
AMVC800803BNAC  
AMVC800803BNAD  
AMVC800804CNAC  
AMVC800804CNAD  
AMVC800804CXAC  
AMVC800804CXAD  
AMVC800805CNAC  
AMVC800805CNAD  
AMVC800805CXAC  
AMVC800805CXAD  
AMVC800805DNAC  
AMVC800805DNAD  
AMVC801005CNAC  
AMVC801005CNAD  
AMVC801005CXAC  
AMVC801005CXAD



Amana® is a registered trademark of Maytag Corporation or its related companies and is used under license. All rights reserved.

This manual is to be used by qualified technicians only.

This manual replaces RP-A2334

© 2021 Goodman Company, L.P. ♦ 5151 San Felipe St, Suite 500 ♦ Houston, TX 77056

# Important Information

---

## Index

Functional Parts List .....	3
Illustration and Parts .....	4 - 9

*Views shown are for parts illustrations only, not servicing procedures.*

### Text Codes:

AR - As Required

NA - Not Available

NS - Not Shown

00000000 - See Note

QTY - Quantity Example (QTY 3) (If Quantity not shown, Quantity = 1)

M - Model Example (M1) (If M Code not shown, then part is used on all Models)

### Expanded Model Nomenclature:

Example
M1 - Model#1
M2 - Model#2
M3 - Model#3

Goodman Company, L.P. is not responsible for personal injury or property damage resulting from improper service. Review all service information before beginning repairs.

Warranty service must be performed by an authorized technician, using authorized factory parts. If service is required after the warranty expires, Goodman Company, L.P. also recommends contacting an authorized technician and using authorized factory parts.

Goodman Company, L.P. reserves the right to discontinue, or change at any time, specifications or designs without notice or without incurring obligations.

For assistance within the U.S.A. contact:

Homeowner Support  
Goodman Company, L.P.  
19001 Kermier Road  
Waller, Texas 77484  
877-254-4729-Telephone  
713-863-2382-Facsimile

For assistance outside the U.S.A. contact:

International Division  
Goodman Company, L.P.  
19001 Kermier Road  
Waller, Texas 77484  
713-861-2500-Telephone  
713-863-2382-Facsimile

# Functional Parts

## Part

## No: Description:

20162904	*PRIMARY LIMIT-TEMPERATURE CONTROL (M9, M10, M11, M12, M13, M14, M19, M20)
0130F00794	AIR PRESSURE SWITCH (M11, M12, M13, M14)
0130F00791	AIR PRESSURE SWITCH (M21, M22, M23, M24)
0130F00792	AIR PRESSURE SWITCH (M5, M6, M7, M8, M9, M10, M15, M16, M17, M18)
0130F00795	AIR PRESSURE SWITCH (M1, M2, M3, M4, M19, M20)
SHARED DATA	Available thru CoolCloud HVAC app.
0130F00010	FLAME SENSOR
0151M00027	GAS VALVE
0130M00141	INDUCTOR, 5.9 AMPS (M5, M6, M7, M8, M11, M12, M13, M14, M15, M16, M17, M18, M19, M20, M21, M22, M23, M24)
10690402	INTERLOCK SWITCH
0130F00038	LIMIT, PRIMARY 120 LT BLUE
0130M00063	LIMIT, PRIMARY, 140, GOLD (M5, M6, M7, M8, M15, M16, M17, M18)
20162903	LIMIT-BLUE (M1, M2, M3, M4)
20162905	LIMIT-YELLOW (M21, M22, M23, M24)
10123529	MANUAL RESET R.O.S. LIMIT (QTY 2)
0131M01002	MOTOR, 1/2 HP (M2, M4, M10, M12, M14)
0131M00270	MOTOR, 1/2 HP, SERIAL ECM (M1, M3, M9, M11, M13)
0131M01003	MOTOR, 3/4 HP (M6, M8, M16, M18, M20, M22, M24)
0131M00271	MOTOR, 3/4 HP, SERIAL ECM (M5, M7, M15, M17, M19, M21, M23)
0131M00781P	MOTOR, VENT 2-STAGE
PCBKF109	PCB, CONTROL BOARD
0130F00008	SINI IGNITOR
0130M00140	TRANSFORMER,(120V TO 24V,40VA,

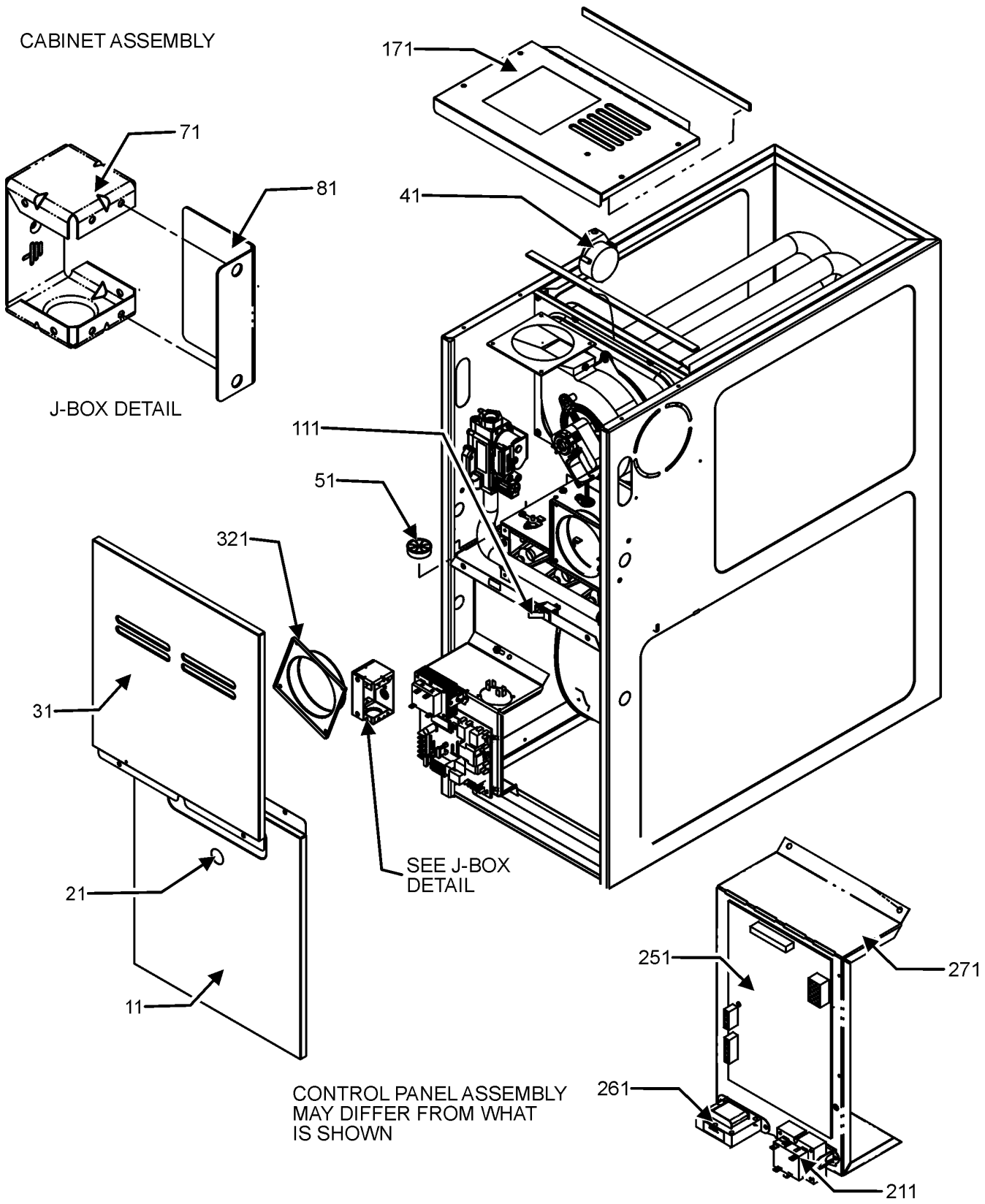
## Expanded Model Nomenclature

M1 - AMVC800603BNAC
M2 - AMVC800603BNAD
M3 - AMVC800603BXAC
M4 - AMVC800603BXAD
M5 - AMVC800604BNAC
M6 - AMVC800604BNAD
M7 - AMVC800604BXAC
M8 - AMVC800604BXAD
M9 - AMVC800803BNAC
M10 - AMVC800803BNAD
M11 - AMVC800804CNAC
M12 - AMVC800804CNAD
M13 - AMVC800804CXAC
M14 - AMVC800804CXAD
M15 - AMVC800805CNAC
M16 - AMVC800805CNAD
M17 - AMVC800805CXAC
M18 - AMVC800805CXAD
M19 - AMVC800805DNAC
M20 - AMVC800805DNAD
M21 - AMVC801005CNAC
M22 - AMVC801005CNAD
M23 - AMVC801005CXAC
M24 - AMVC801005CXAD

## SPECIAL PARTS

0161F00006	AMANA NAMEPLATE
------------	-----------------

# Cabinet and Control Panel Assembly

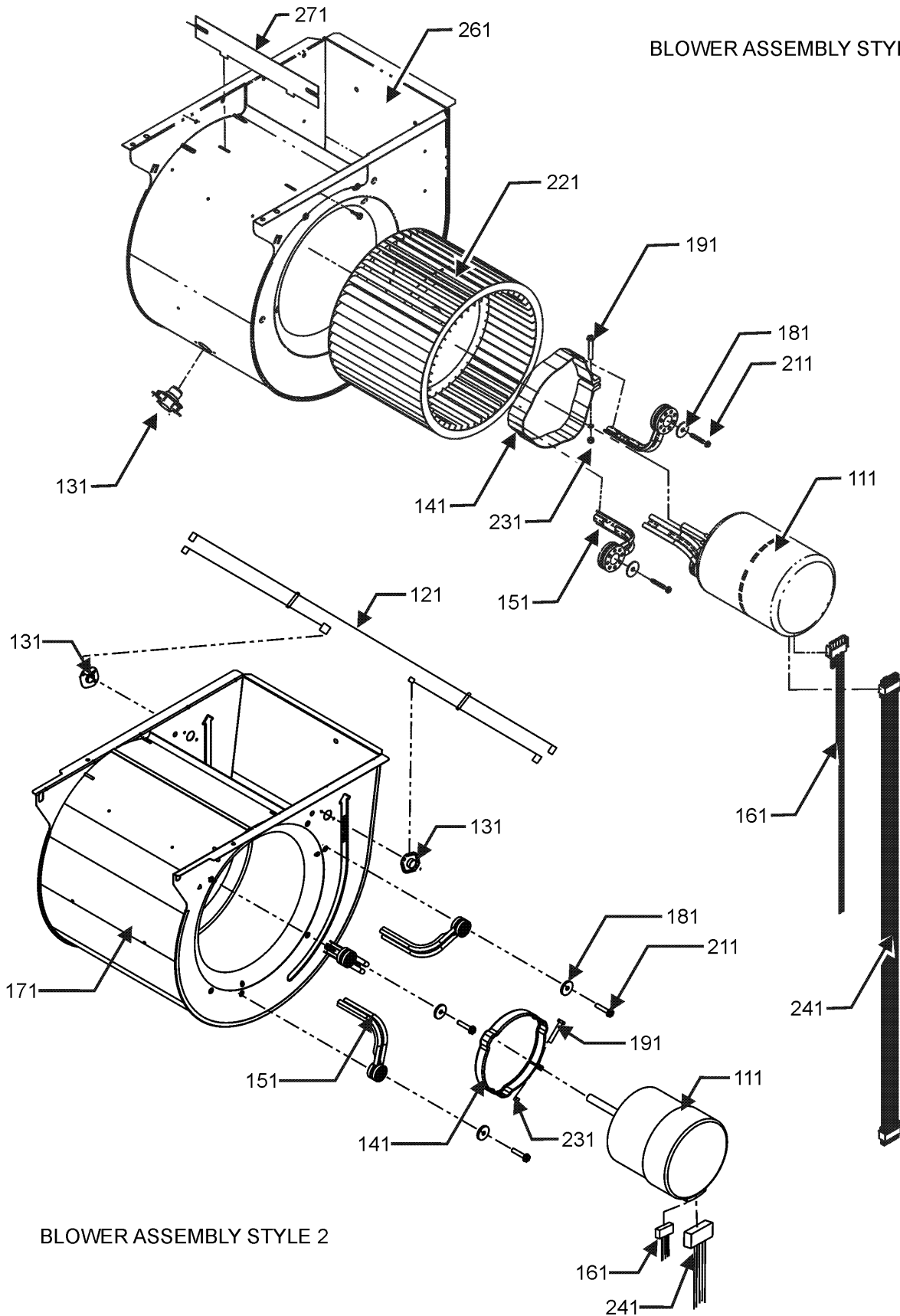


# Cabinet and Control Panel Assembly

Ref. Part No:	Ref. Part No:	Description:	Description:
<b>Image 1:</b>		<b>Expanded Model Nomenclature</b>	
11	0121F00123LG	DOOR, BLOWER, 17.5" PAINTED (M1, M2, M3, M4, M5, M6, M7, M8, M9, M10)	M1 - AMVC800603BNAC M2 - AMVC800603BNAD M3 - AMVC800603BXAC M4 - AMVC800603BXAD M5 - AMVC800604BNAC M6 - AMVC800604BNAD M7 - AMVC800604BXAC M8 - AMVC800604BXAD M9 - AMVC800803BNAC M10 - AMVC800803BNAD
11	0121F00124LG	DOOR, BLOWER, 21"-PAINTED (M11, M12, M13, M14, M15, M16, M17, M18, M21, M22, M23, M24)	M11 - AMVC800804CNAC M12 - AMVC800804CNAD M13 - AMVC800804CXAC M14 - AMVC800804CXAD M15 - AMVC800805CNAC M16 - AMVC800805CNAD M17 - AMVC800805CXAC M18 - AMVC800805CXAD M19 - AMVC800805DNAC M20 - AMVC800805DNAD M21 - AMVC801005CNAC M22 - AMVC801005CNAD M23 - AMVC801005CXAC M24 - AMVC801005CXAD
11	0121F00125LG	DOOR, BLOWER, 24.5"-PAINTED (M19, M20)	
21	B1392139	VIEW PORT BUSHING-BLOWER DOOR	
31	0121F00119LG	CONTROL ACCESS DOOR 17.5" (M1, M2, M3, M4, M5, M6, M7, M8, M9, M10)	
31	0121F00120LG	CONTROL ACCESS DOOR 21" (M11, M12, M13, M14, M15, M16, M17, M18, M21, M22, M23, M24)	
31	0121F00121LG	CONTROL ACCESS DOOR 24.5" (M19, M20)	
41	0130F00791	AIR PRESSURE SWITCH (M21, M22, M23, M24)	
41	0130F00792	AIR PRESSURE SWITCH (M5, M6, M7, M8, M9, M10, M15, M16, M17, M18)	
41	0130F00794	AIR PRESSURE SWITCH (M11, M12, M13, M14)	
41	0130F00795	AIR PRESSURE SWITCH (M1, M2, M3, M4, M19, M20)	
51	B1392147	UNIVERSAL BUSHING WITH SLICE	
71	4014502	J-BOX	
81	4015502	COVER, J-BOX	
111	10690402	INTERLOCK SWITCH	
171	0121F00142DG	TOP 17.5" (M1, M2, M3, M4, M5, M6, M7, M8, M9, M10)	
171	0121F00143DG	TOP 21" (M11, M12, M13, M14, M15, M16, M17, M18, M21, M22, M23, M24)	
171	0121F00463DG	TOP, FURNACE 24.5" (M19, M20)	
211	0130M00140	TRANSFORMER,(120V TO 24V,40VA,	
251	PCBKF109	PCB, CONTROL BOARD	
261	0130M00141	INDUCTOR, 5.9 AMPS (M5, M6, M7, M8, M11, M12, M13, M14, M15, M16, M17, M18, M19, M20, M21, M22, M23, M24)	
271	0121F00218	PANEL, CONTROL MOUNTING	
321	4023500	CHIMNEY TRANSITION TOP	
NS	0161F00006	AMANA NAMEPLATE	
NS	SHARED DATA	Available thru CoolCloud HVAC app.	

# Blower Assembly

BLOWER ASSEMBLY STYLE 1



# Blower Assembly

**Ref. Part  
No: No:**

**Description:**

**Ref. Part  
No: No:**

**Description:**

**Image 1:**

111	0131M01002	MOTOR, 1/2 HP (M2, M4, M10, M12, M14)
111	0131M00270	MOTOR, 1/2 HP, SERIAL ECM (M1, M3, M9, M11, M13)
111	0131M01003	MOTOR, 3/4 HP (M6, M8, M16, M18, M20, M22, M24)
111	0131M00271	MOTOR, 3/4 HP, SERIAL ECM (M5, M7, M15, M17, M19, M21, M23)
121	0259F00024	WIRE HARNESS-BLOWER (M11, M12, M13, M14, M19, M20)
131	0130F00038	LIMIT, PRIMARY 120 LT BLUE
141	0121M00038	MOTOR MOUNT BAND (M1, M2, M3, M4, M5, M6, M7, M8, M9, M10)
141	0121M00039	MOTOR MOUNT BAND (HEAVY DUTY) (M11, M12, M13, M14, M15, M16, M17, M18, M19, M20, M21, M22, M23, M24)
151	0163M00538	MOUNT ARM, MOTOR (M11, M12, M13, M14, M15, M16, M17, M18, M19, M20, M21, M22, M23, M24)
151	B1376853	MOUNT ARM, MOTOR, A36-42 (M1, M2, M3, M4, M5, M6, M7, M8, M9, M10)
161	0259F00049	HARNESS-POWER
171	0271F00303	BLOWER SHELL & WHEEL (M11, M12, M13, M14, M19, M20)
181	B1392918	WASHER, FLAT 1/4 ID X 1 OD (QTY 3)
191	0163M00320	HEX HEAD ALL THREAD TAP BOLT
211	M0250565	SCREW-TC 1.25" (QTY 3)
221	B1368047	BLOWER WHEEL (10 X 10) (M15, M16, M17, M18, M21, M22, M23, M24)
221	0150M00043	WHEEL, BLOWER (10X8) (M1, M2, M3, M4, M9, M10)
221	B1368016	WHEEL, BLOWER, 10X8 (M5, M6, M7, M8)
231	B1393800	LOCKNUT, NYLON INSERT 1/4 20
241	0259M00008	WIRE HARNESS
261	0271F00111	BLOWER SHELL ASSY (M1, M2, M3, M4, M5, M6, M7, M8, M9, M10)
261	0271F00112	BLOWER SHELL ASSY (M15, M16, M17, M18, M21, M22, M23, M24)
271	764741	BLWR BLK-OFF,10X10 (M15, M16, M17, M18, M21, M22, M23, M24)
271	764740	BLWR BLK-OFF,10X8 (M1, M2, M3, M4, M5, M6, M7, M8, M9, M10)

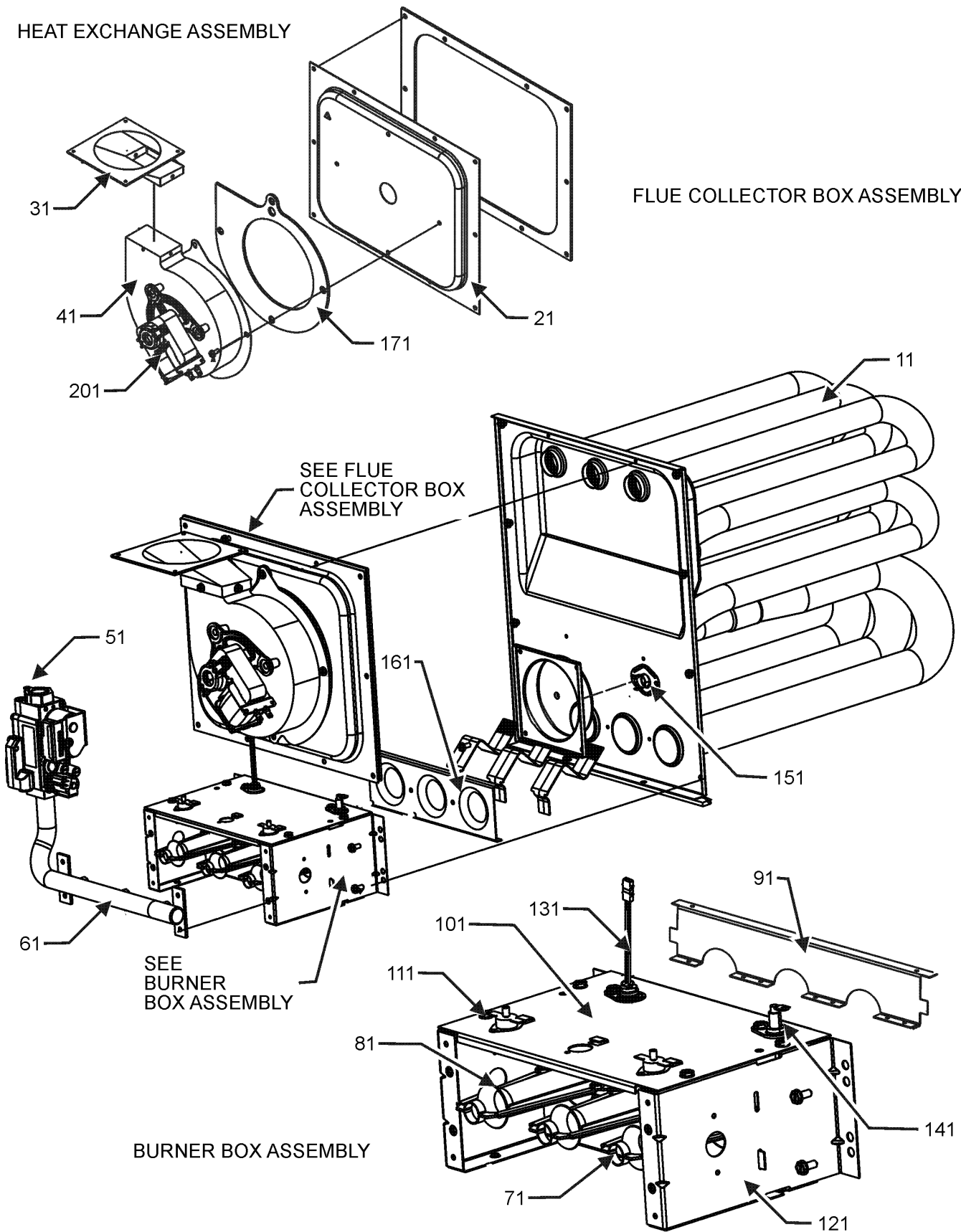
**Expanded Model Nomenclature**

M1 - AMVC800603BNAC
M2 - AMVC800603BNAD
M3 - AMVC800603BXAC
M4 - AMVC800603BXAD
M5 - AMVC800604BNAC
M6 - AMVC800604BNAD
M7 - AMVC800604BXAC
M8 - AMVC800604BXAD
M9 - AMVC800803BNAC
M10 - AMVC800803BNAD
M11 - AMVC800804CNAC
M12 - AMVC800804CNAD
M13 - AMVC800804CXAC
M14 - AMVC800804CXAD
M15 - AMVC800805CNAC
M16 - AMVC800805CNAD
M17 - AMVC800805CXAC
M18 - AMVC800805CXAD
M19 - AMVC800805DNAC
M20 - AMVC800805DNAD
M21 - AMVC801005CNAC
M22 - AMVC801005CNAD
M23 - AMVC801005CXAC
M24 - AMVC801005CXAD

# Heat Exchange Assembly

HEAT EXCHANGE ASSEMBLY

FLUE COLLECTOR BOX ASSEMBLY



# Heat Exchange Assembly

Ref. Part No:	No:	Description:	Ref. Part No:	No:	Description:
<b>Image 1:</b>			<b>Image 1:</b>		
11	0270F00933	HEAT EXCHANGER ASSY (M1, M2, M3, M4, M5, M6, M7, M8)	171	0154F00004	VENT MOTOR GASKET 17.5" (M1, M2, M3, M4, M5, M6, M7, M8, M9, M10)
11	0270F00934	HEAT EXCHANGER ASSY (M9, M10)	171	0154F00005	VENT MOTOR GASKET 21" (M11, M12, M13, M14, M15, M16, M17, M18, M19, M20, M21, M22, M23, M24)
11	0270F00935	HEAT EXCHANGER ASSY (M11, M12, M13, M14, M15, M16, M17, M18)	201	DY6.186.070	VENT MOTOR CAPACITOR
11	0270F00936	HEAT EXCHANGER ASSY (M21, M22, M23, M24)	NS	0259F00062	INDUCER HARNESS ASSY
11	0270F03017	HEAT EXCHANGER ASSY (M19, M20)	NS	0259F00260	WIRE HARNESS ASSY
21	0121F00328	17.5" COLLECTOR BOX 1.250" DIA (M1, M2, M3, M4)	NS	0259F00261	WIRE HARNESS ASSY
21	0121F00332	17.5" COLLECTOR BOX 1.375" DIA (M5, M6, M7, M8)	<b>Expanded Model Nomenclature</b>		
21	0121F00334	21" COLLECTOR BOX 1.625" DIA (M19, M20)	<div style="border: 1px solid black; padding: 5px;"> M1 - AMVC800603BNAC  M2 - AMVC800603BNAD  M3 - AMVC800603BXAC  M4 - AMVC800603BXAD  M5 - AMVC800604BNAC  M6 - AMVC800604BNAD  M7 - AMVC800604BXAC  M8 - AMVC800604BXAD  M9 - AMVC800803BNAC  M10 - AMVC800803BNAD  M11 - AMVC800804CNAC  M12 - AMVC800804CNAD  M13 - AMVC800804CXAC  M14 - AMVC800804CXAD  M15 - AMVC800805CNAC  M16 - AMVC800805CNAD  M17 - AMVC800805CXAC  M18 - AMVC800805CXAD  M19 - AMVC800805DNAC  M20 - AMVC800805DNAD  M21 - AMVC801005CNAC  M22 - AMVC801005CNAD  M23 - AMVC801005CXAC  M24 - AMVC801005CXAD </div>		
21	0121F00333	21" COLLECTOR BOX 1.75" DIA (M21, M22, M23, M24)			
21	0121F00336	21" FLUE COLLECTOR BOX 1.50" (M15, M16, M17, M18)			
21	0121F00655	COLLECTOR BOX 17.5" 1.437 DIA (M9, M10)			
21	0121F00659	COLLECTOR BOX 21" 1.40 DIA (M11, M12, M13, M14)			
31	0128F00006	TRANSITION, BOTTOM			
41	0131M00781P	MOTOR, VENT 2-STAGE			
51	0151M00027	GAS VALVE			
61	0120F00007	MANIFOLD (M1, M2, M3, M4, M5, M6, M7, M8)			
61	0120F00008	MANIFOLD (M9, M10, M11, M12, M13, M14, M15, M16, M17, M18, M19, M20)			
61	0120F00009	MANIFOLD (M21, M22, M23, M24)			
71	10716005	ORIFICE (QTY 3)			
81	B4022700	INSHOT BURNER ASSY 3" (QTY 3)			
91	0121F00168	BURNER RACK, 3 CELL (M1, M2, M3, M4, M5, M6, M7, M8)			
91	0121F00169	BURNER RACK, 4 CELL (M9, M10, M11, M12, M13, M14, M15, M16, M17, M18, M19, M20)			
91	0121F00170	BURNER RACK, 5 CELL (M21, M22, M23, M24)			
101	0121F00759	TOP, BURNER BOX 3 CELL (M1, M2, M3, M4, M5, M6, M7, M8)			
101	0121F00760	TOP, BURNER BOX 4 CELL (M9, M10, M11, M12, M13, M14, M15, M16, M17, M18, M19, M20)			
101	0121F00761	TOP, BURNER BOX 5 CELL (M21, M22, M23, M24)			
111	10123529	MANUAL RESET R.O.S. LIMIT (QTY 2)			
121	0121F00146	BURNER BOX SIDE (QTY 2)			
131	0130F00008	SINI IGNITOR			
141	0130F00010	FLAME SENSOR			
151	20162904	*PRIMARY LIMIT-TEMPERATURE CONTROL (M9, M10, M11, M12, M13, M14, M19, M20)			
151	0130M00063	LIMIT, PRIMARY, 140, GOLD (M5, M6, M7, M8, M15, M16, M17, M18)			
151	20162903	LIMIT-BLUE (M1, M2, M3, M4)			
151	20162905	LIMIT-YELLOW (M21, M22, M23, M24)			
161	4028001	ORIFICE PLATE, 3CELL (M1, M2, M3, M4, M5, M6, M7, M8)			
161	4028002	ORIFICE PLATE, 4CELL (M9, M10, M11, M12, M13, M14, M15, M16, M17, M18, M19, M20)			
161	4028003	ORIFICE PLATE, 5CELL (M21, M22, M23, M24)			