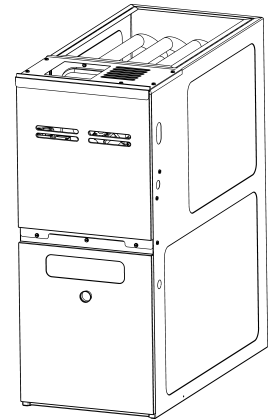


## AMVC 80% High Efficient Furnace

AMVC800603BNAA  
AMVC800603BXAA  
AMVC800603BXAB  
AMVC800604BNAA  
AMVC800604BNAB  
AMVC800604BXAA  
AMVC800604BXAB  
AMVC800803BNAA  
AMVC800803BNAB  
AMVC800804CNAA  
AMVC800804CNAB  
AMVC800804CXAA  
AMVC800804CXAB  
AMVC800805CNAA  
AMVC800805CNAB  
AMVC800805CXAA  
AMVC800805CXAB  
AMVC800805DNAA  
AMVC800805DNAB  
AMVC801005CNAA  
AMVC801005CNAB  
AMVC801005CXAA  
AMVC801005CXAB



Amana® is a registered trademark of Maytag Corporation or its related companies and is used under license. All rights reserved.

This manual is to be used by qualified technicians only.

This manual replaces RP-A2330

© 2019 - 2020 Goodman Company, L.P. ♦ 5151 San Felipe St, Suite 500 ♦ Houston, TX 77056

# Important Information

---

## Index

Functional Parts List .....	3
Illustration and Parts .....	4 - 9

*Views shown are for parts illustrations only, not servicing procedures*

### Text Codes:

AR - As Required

NA - Not Available

NS - Not Shown

00000000 - See Note

QTY - Quantity Example (QTY 3) (If Quantity not shown, Quantity = 1)

M - Model Example (M1) (If M Code not shown, then part is used on all Models)

### Expanded Model Nomenclature:

Example M1 - Model#1 M2 - Model#2 M3 - Model#3
---

Goodman Company, L.P. is not responsible for personal injury or property damage resulting from improper service. Review all service information before beginning repairs.

Warranty service must be performed by an authorized technician, using authorized factory parts. If service is required after the warranty expires, Goodman Company, L.P. also recommends contacting an authorized technician and using authorized factory parts.

Goodman Company, L.P. reserves the right to discontinue, or change at any time, specifications or designs without notice or without incurring obligations.

For assistance within the U.S.A. contact:

Homeowner Support  
Goodman Company, L.P.  
19001 Kermier Road  
Waller, Texas 77484  
877-254-4729-Telephone  
713-863-2382-Facsimile

For assistance outside the U.S.A. contact:

International Division  
Goodman Company, L.P.  
19001 Kermier Road  
Waller, Texas 77484  
713-861-2500-Telephone  
713-863-2382-Facsimile

# Functional Parts

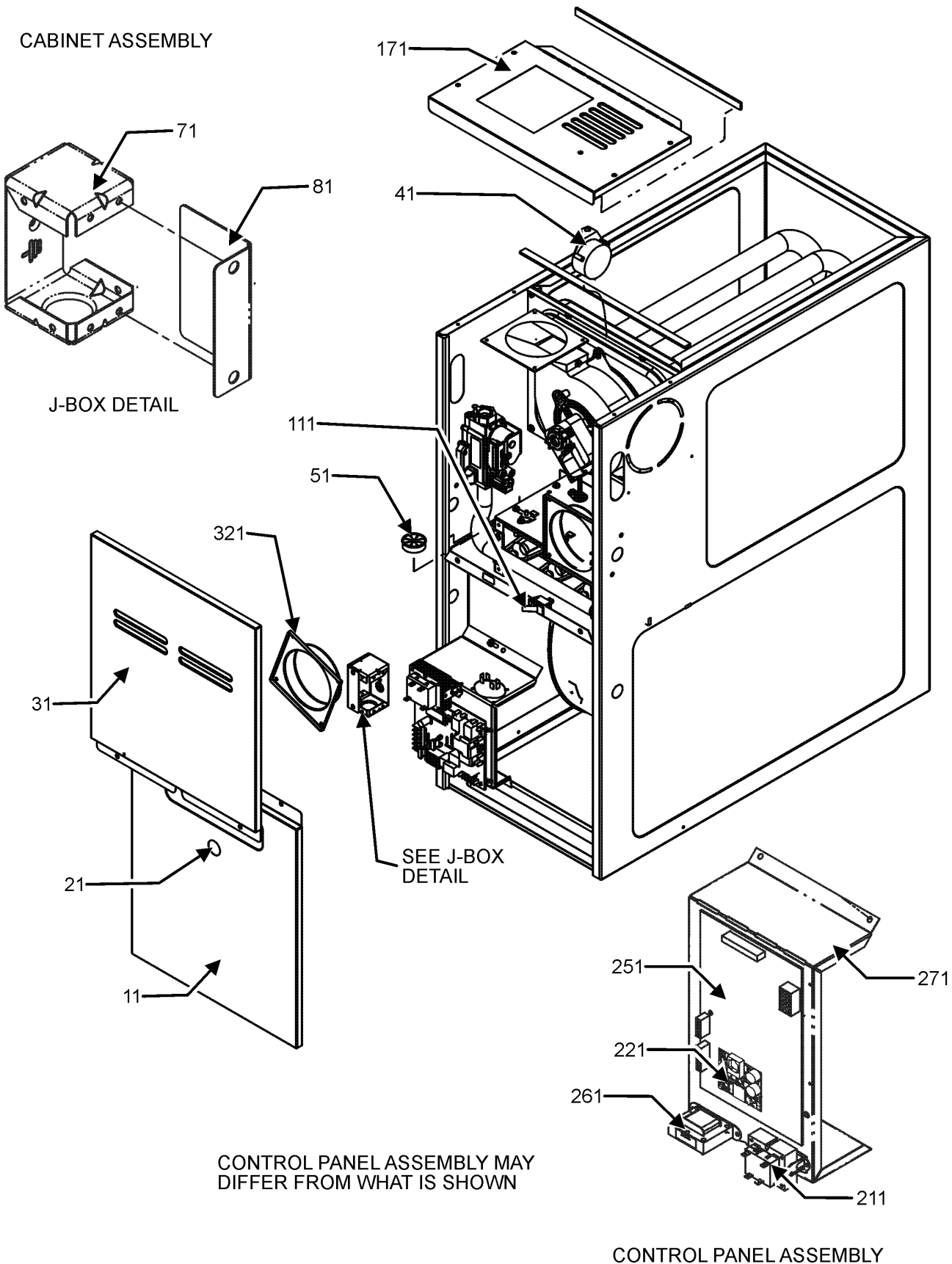
**Part No:**            **Description:**

Part No:	Description:	Expanded Model Nomenclature
20162904	*PRIMARY LIMIT-TEMPERATURE CONTROL (M8, M9, M10, M11, M12, M13, M18, M19)	M1 - AMVC800603BNAA
0130F00795	AIR PRESSURE SWITCH (M1, M2, M3, M18, M19)	M2 - AMVC800603BXAA
0130F00791	AIR PRESSURE SWITCH (M20, M21, M22, M23)	M3 - AMVC800603BXAB
0130F00794	AIR PRESSURE SWITCH (M10, M11, M12, M13)	M4 - AMVC800604BNAA
0130F00792	AIR PRESSURE SWITCH (M4, M5, M6, M7, M8, M9, M14, M15, M16, M17)	M5 - AMVC800604BNAB
SHARED DATA	Available thru CoolCloud HVAC app.	M6 - AMVC800604BXAA
0130F00010	FLAME SENSOR	M7 - AMVC800604BXAB
0151M00027	GAS VALVE	M8 - AMVC800803BNAA
0130M00141	INDUCTOR, 5.9 AMPS (GMPE100-4) (M4, M5, M6, M7, M10, M11, M12, M13, M14, M15, M16, M17, M18, M19, M20, M21, M22, M23)	M9 - AMVC800803BNAB
10690402	INTERLOCK SWITCH	M10 - AMVC800804CNAA
0130F00038	LIMIT, PRIMARY 120 LT BLUE	M11 - AMVC800804CNAB
0130M00063	LIMIT, PRIMARY, 140, GOLD (M4, M5, M6, M7, M14, M15, M16, M17)	M12 - AMVC800804CXAA
20162903	LIMIT-BLUE (M1, M2, M3)	M13 - AMVC800804CXAB
20162905	LIMIT-YELLOW (M20, M21, M22, M23)	M14 - AMVC800805CNAA
10123529	MANUAL RESET R.O.S. LIMIT (QTY 2)	M15 - AMVC800805CNAB
0131M00270	MOTOR, 1/2 HP, SERIAL ECM (M1, M2, M3, M8, M9, M10, M11, M12, M13)	M16 - AMVC800805CXAA
0131M00271	MOTOR, 3/4 HP, SERIAL ECM (M4, M5, M6, M7, M14, M15, M16, M17, M18, M19, M20, M21, M22, M23)	M17 - AMVC800805CXAB
0131M00781P	MOTOR, VENT 2-STAGE	M18 - AMVC800805DNAA
PCBKF107	PCB, CONTROL BOARD	M19 - AMVC800805DNAB
PCBCM100	PCB,CONTROL	M20 - AMVC801005CNAA
0130F00008	SINI IGNITOR	M21 - AMVC801005CNAB
0130M00140	TRANSFORMER,(120V TO 24V,40VA,	M22 - AMVC801005CXAA
		M23 - AMVC801005CXAB

**SPECIAL PARTS**

0161F00006            AMANA NAMEPLATE

# Cabinet and Control Panel Assembly

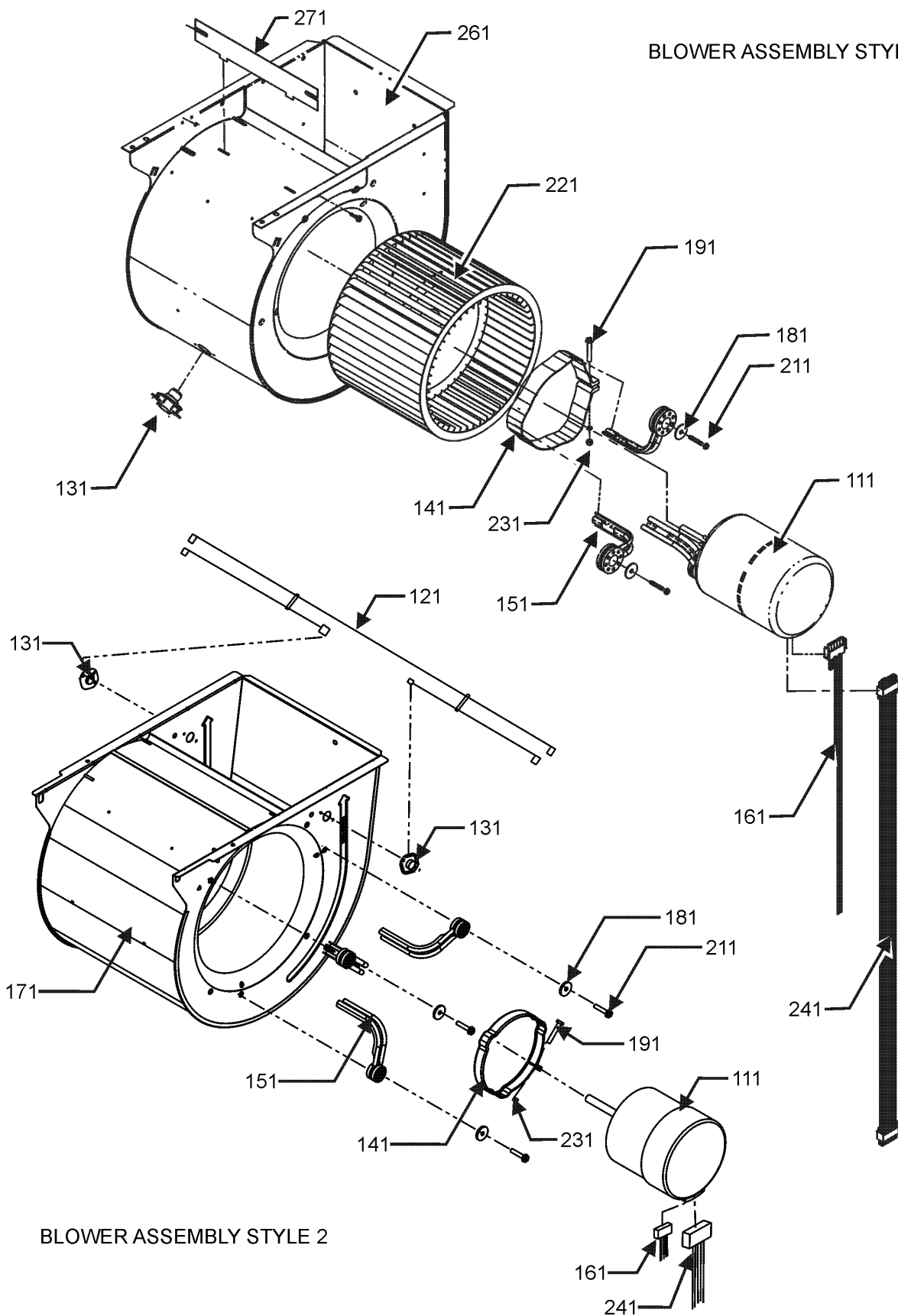


# Cabinet and Control Panel Assembly

Ref. Part No:	Ref. Part No:	Description:	Description:
<b>Image 1:</b>		<b>Expanded Model Nomenclature</b>	
11	0121F00123LG	DOOR, BLOWER, 17.5" PAINTED (M1, M2, M3, M4, M5, M6, M7, M8, M9)	M1 - AMVC800603BNAA M2 - AMVC800603BXAA M3 - AMVC800603BXAB M4 - AMVC800604BNAA M5 - AMVC800604BNAB M6 - AMVC800604BXAA M7 - AMVC800604BXAB M8 - AMVC800803BNAA M9 - AMVC800803BNAB
11	0121F00124LG	DOOR, BLOWER, 21"-PAINTED (M10, M11, M12, M13, M14, M15, M16, M17, M20, M21, M22, M23)	M10 - AMVC800804CNAA M11 - AMVC800804CNAB M12 - AMVC800804CXAA M13 - AMVC800804CXAB M14 - AMVC800805CNAA M15 - AMVC800805CNAB M16 - AMVC800805CXAA M17 - AMVC800805CXAB M18 - AMVC800805DNAA M19 - AMVC800805DNAB M20 - AMVC801005CNAA M21 - AMVC801005CNAB M22 - AMVC801005CXAA M23 - AMVC801005CXAB
11	0121F00125LG	DOOR, BLOWER, 24.5"-PAINTED (M18, M19)	
21	B1392139	VIEW PORT BUSHING-BLOWER DOOR	
31	0121F00119LG	CONTROL ACCESS DOOR 17.5" (M1, M2, M3, M4, M5, M6, M7, M8, M9)	
31	0121F00120LG	CONTROL ACCESS DOOR 21" (M10, M11, M12, M13, M14, M15, M16, M17, M20, M21, M22, M23)	
31	0121F00121LG	CONTROL ACCESS DOOR 24.5" (M18, M19)	
41	0130F00791	AIR PRESSURE SWITCH (M20, M21, M22, M23)	
41	0130F00792	AIR PRESSURE SWITCH (M4, M5, M6, M7, M8, M9, M14, M15, M16, M17)	
41	0130F00794	AIR PRESSURE SWITCH (M10, M11, M12, M13)	
41	0130F00795	AIR PRESSURE SWITCH (M1, M2, M3, M18, M19)	
51	B1392147	UNIVERSAL BUSHING WITH SLICE	
71	4014502	J-BOX	
81	4015502	COVER, J-BOX	
111	10690402	INTERLOCK SWITCH	
171	0121F00142DG	TOP 17.5" (M1, M2, M3, M4, M5, M6, M7, M8, M9)	
171	0121F00143DG	TOP 21" (M10, M11, M12, M13, M14, M15, M16, M17, M20, M21, M22, M23)	
171	0121F00463DG	TOP, FURNACE 24.5" (M18, M19)	
211	0130M00140	TRANSFORMER ,(120V TO 24V,40VA,	
221	PCBCM100	PCB,CONTROL	
251	PCBKF107	PCB, CONTROL BOARD	
261	0130M00141	INDUCTOR, 5.9 AMPS (GMPE100-4) (M4, M5, M6, M7, M10, M11, M12, M13, M14, M15, M16, M17, M18, M19, M20, M21, M22, M23)	
271	0121F00218	PANEL, CONTROL MOUNTING	
321	4023500	CHIMNEY TRANSITION TOP	
NS	0161F00006	AMANA NAMEPLATE	
NS	SHARED DATA	Available thru CoolCloud HVAC app.	
NS	0159F00083	CABLE, RJ12	

# Blower Assembly

BLOWER ASSEMBLY STYLE 1



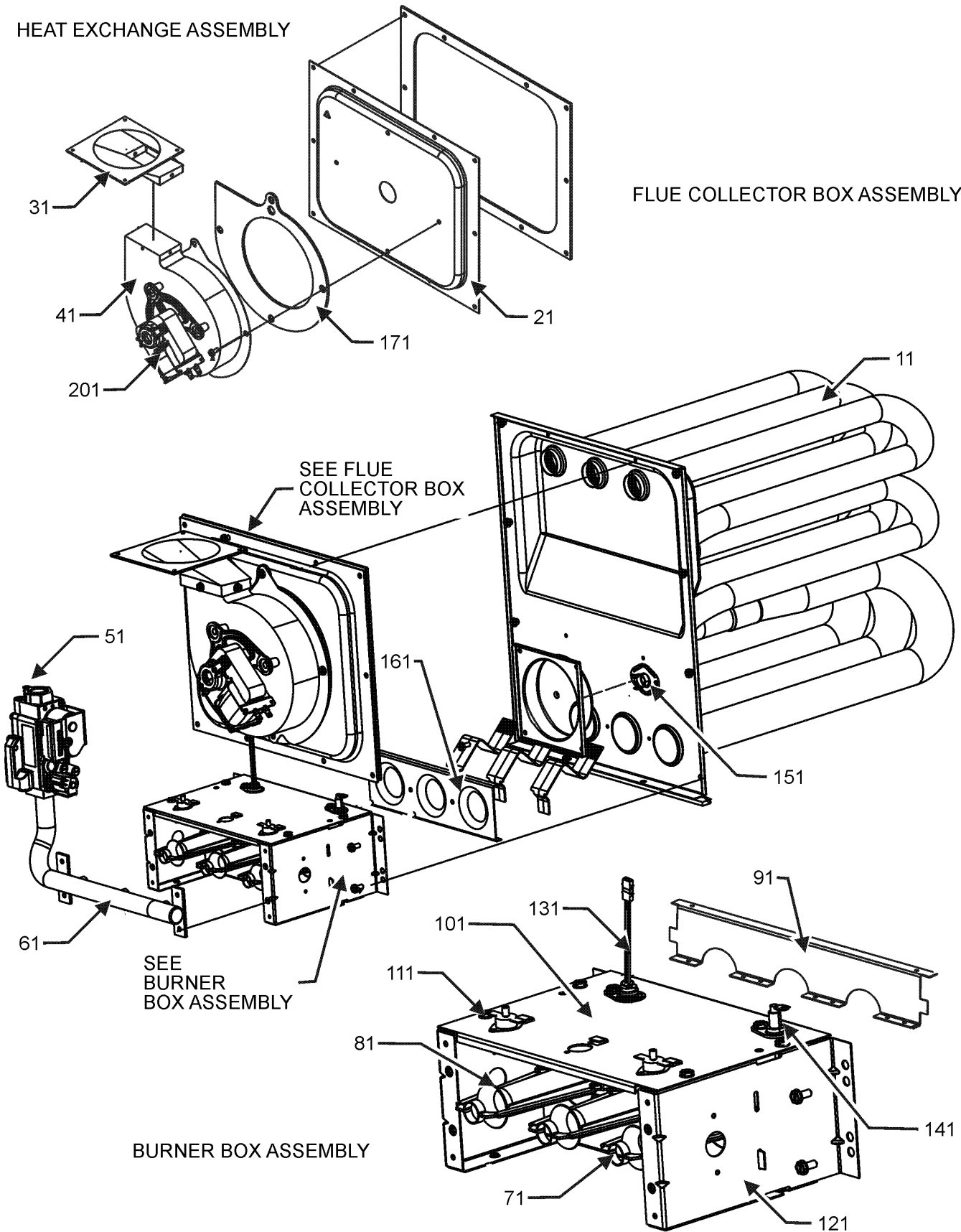
# Blower Assembly

Ref. Part No: No:	Description:	Ref. Part No: No:	Description:
<b>Image 1:</b>		<b>Expanded Model Nomenclature</b>	
111	0131M00270	MOTOR, 1/2 HP, SERIAL ECM (M1, M2, M3, M8, M9, M10, M11, M12, M13)	M1 - AMVC800603BNAA M2 - AMVC800603BXAA M3 - AMVC800603BXAB M4 - AMVC800604BNAA M5 - AMVC800604BNAB M6 - AMVC800604BXAA M7 - AMVC800604BXAB M8 - AMVC800803BNAA M9 - AMVC800803BNAB M10 - AMVC800804CNAA M11 - AMVC800804CNAB M12 - AMVC800804CXAA M13 - AMVC800804CXAB M14 - AMVC800805CNAA M15 - AMVC800805CNAB M16 - AMVC800805CXAA M17 - AMVC800805CXAB M18 - AMVC800805DNAA M19 - AMVC800805DNAB M20 - AMVC801005CNAA M21 - AMVC801005CNAB M22 - AMVC801005CXAA M23 - AMVC801005CXAB
111	0131M00271	MOTOR, 3/4 HP, SERIAL ECM (M4, M5, M6, M7, M14, M15, M16, M17, M18, M19, M20, M21, M22, M23)	
121	0259F00024	WIRE HARNESS-BLOWER (M10, M11, M12, M13, M18, M19)	
131	0130F00038	LIMIT, PRIMARY 120 LT BLUE	
141	0121M00038	MOTOR MOUNT BAND (M1, M2, M3, M4, M5, M6, M7, M8, M9)	
141	0121M00039	MOTOR MOUNT BAND (HEAVY DUTY) (M10, M11, M12, M13, M14, M15, M16, M17, M18, M19, M20, M21, M22, M23)	
151	B1376853	MOTOR MOUNT ARM (M1, M2, M3, M4, M5, M6, M7, M8, M9)	
151	B1376863	MOTOR MOUNT ARM (HEAVY DUTY) (M10, M11, M12, M13, M14, M15, M16, M17, M18, M19, M20, M21, M22, M23)	
161	0259F00049	HARNESS-POWER	
171	0271F00303	BLOWER SHELL & WHEEL (M10, M11, M12, M13, M18, M19)	
181	B1392918	WASHER, FLAT 1/4 ID X 1 OD (QTY 3)	
191	0163M00320	HEX HEAD ALL THREAD TAP BOLT	
211	M0250565	SCREW-TC 1.25" (QTY 3)	
221	B1368047	BLOWER WHEEL (10 X 10) (M14, M15, M16, M17, M20, M21, M22, M23)	
221	0150M00043	WHEEL, BLOWER (10X8) (M1, M2, M3, M8, M9)	
221	B1368016	WHEEL, BLOWER, 10X8 (M4, M5, M6, M7)	
231	B1393800	LOCKNUT, NYLON INSERT 1/4 20	
241	0259M00008	WIRE HARNESS	
261	0271F00111	BLOWER SHELL ASSY (M1, M2, M3, M4, M5, M6, M7, M8, M9)	
261	0271F00112	BLOWER SHELL ASSY (M14, M15, M16, M17, M20, M21, M22, M23)	
271	764741	BLWR BLK-OFF, 10X10 (M14, M15, M16, M17, M20, M21, M22, M23)	
271	764740	BLWR BLK-OFF, 10X8 (M1, M2, M3, M4, M5, M6, M7, M8, M9)	

# Heat Exchange Assembly

HEAT EXCHANGE ASSEMBLY

FLUE COLLECTOR BOX ASSEMBLY



# Heat Exchange Assembly

Ref. Part No:	Description:	Ref. Part No:	Description:
<b>Image 1:</b>		<b>Image 1:</b>	
11 0270F00933	HEAT EXCHANGER ASSY (M1, M2, M3, M4, M5, M6, M7)	171 0154F00004	VENT MOTOR GASKET 17.5" (M1, M2, M3, M4, M5, M6, M7, M8, M9)
11 0270F00934	HEAT EXCHANGER ASSY (M8, M9)	171 0154F00005	VENT MOTOR GASKET 21" (M10, M11, M12, M13, M14, M15, M16, M17, M18, M19, M20, M21, M22, M23)
11 0270F00935	HEAT EXCHANGER ASSY (M10, M11, M12, M13, M14, M15, M16, M17)	201 DY6.186.070	VENT MOTOR CAPACITOR
11 0270F00936	HEAT EXCHANGER ASSY (M20, M21, M22, M23)	NS 0259F00062	INDUCER HARNESS ASSY
11 0270F03017	HEAT EXCHANGER ASSY (M18, M19)	NS 0259F00063	WIRE HARNESS ASSY (M1, M2, M4, M6, M8, M10, M12, M14, M16, M18, M20, M22)
21 0121F00328	17.5" COLLECTOR BOX 1.250" DIA (M1, M2, M3)	NS 0259F00260	WIRE HARNESS ASSY
21 0121F00332	17.5" COLLECTOR BOX 1.375" DIA (M4, M5, M6, M7)	NS 0259F00261	WIRE HARNESS ASSY
21 0121F00334	21" COLLECTOR BOX 1.625" DIA (M18, M19)	NS 0259F00262	WIRE HARNESS ASSY (M1, M2, M4, M6, M8, M10, M12, M14, M16, M18, M20, M22)
21 0121F00333	21" COLLECTOR BOX 1.75" DIA (M20, M21, M22, M23)	NS 0259F00286	WIRE HARNESS ASSY (M3, M5, M7, M9, M11, M13, M15, M17, M19, M21, M23)
21 0121F00336	21" FLUE COLLECTOR BOX 1.50" (M14, M15, M16, M17)	NS 0259F00290	WIRE HARNESS ASSY (M3, M5, M7, M9, M11, M13, M15, M17, M19, M21, M23)
21 0121F00655	COLLECTOR BOX 17.5" 1.437 DIA (M8, M9)	<b>Expanded Model Nomenclature</b> M1 - AMVC800603BNAA M2 - AMVC800603BXAA M3 - AMVC800603BXAB M4 - AMVC800604BNAA M5 - AMVC800604BNAB M6 - AMVC800604BXAA M7 - AMVC800604BXAB M8 - AMVC800803BNAA M9 - AMVC800803BNAB M10 - AMVC800804CNAA M11 - AMVC800804CNAB M12 - AMVC800804CXAA M13 - AMVC800804CXAB M14 - AMVC800805CNAA M15 - AMVC800805CNAB M16 - AMVC800805CXAA M17 - AMVC800805CXAB M18 - AMVC800805DNAA M19 - AMVC800805DNAB M20 - AMVC801005CNAA M21 - AMVC801005CNAB M22 - AMVC801005CXAA M23 - AMVC801005CXAB	
21 0121F00659	COLLECTOR BOX 21" 1.40 DIA (M10, M11, M12, M13)		
31 0128F00006	TRANSITION, BOTTOM		
41 0131M00781P	MOTOR, VENT 2-STAGE		
51 0151M00027	GAS VALVE		
61 0120F00007	MANIFOLD (M1, M2, M3, M4, M5, M6, M7)		
61 0120F00008	MANIFOLD (M8, M9, M10, M11, M12, M13, M14, M15, M16, M17, M18, M19)		
61 0120F00009	MANIFOLD (M20, M21, M22, M23)		
71 10716005	ORIFICE (QTY 3)		
81 B4022700	INSHOT BURNER ASSY 3" (QTY 3)		
91 0121F00168	BURNER RACK, 3 CELL (M1, M2, M3, M4, M5, M6, M7)		
91 0121F00169	BURNER RACK, 4 CELL (M8, M9, M10, M11, M12, M13, M14, M15, M16, M17, M18, M19)		
91 0121F00170	BURNER RACK, 5 CELL (M20, M21, M22, M23)		
101 0121F00163	TOP, BURNER BOX 3 CELL (M1, M2, M3, M4, M5, M6, M7)		
101 0121F00164	TOP, BURNER BOX 4 CELL (M8, M9, M10, M11, M12, M13, M14, M15, M16, M17, M18, M19)		
101 0121F00165	TOP, BURNER BOX 5 CELL (M20, M21, M22, M23)		
111 10123529	MANUAL RESET R.O.S. LIMIT (QTY 2)		
121 0121F00146	BURNER BOX SIDE (QTY 2)		
131 0130F00008	SINI IGNITOR		
141 0130F00010	FLAME SENSOR		
151 20162904	*PRIMARY LIMIT-TEMPERATURE CONTROL (M8, M9, M10, M11, M12, M13, M18, M19)		
151 0130M00063	LIMIT, PRIMARY, 140, GOLD (M4, M5, M6, M7, M14, M15, M16, M17)		
151 20162903	LIMIT-BLUE (M1, M2, M3)		
151 20162905	LIMIT-YELLOW (M20, M21, M22, M23)		
161 4028001	ORIFICE PLATE, 3CELL (M1, M2, M3, M4, M5, M6, M7)		
161 4028002	ORIFICE PLATE, 4CELL (M8, M9, M10, M11, M12, M13, M14, M15, M16, M17, M18, M19)		
161 4028003	ORIFICE PLATE, 5CELL (M20, M21, M22, M23)		