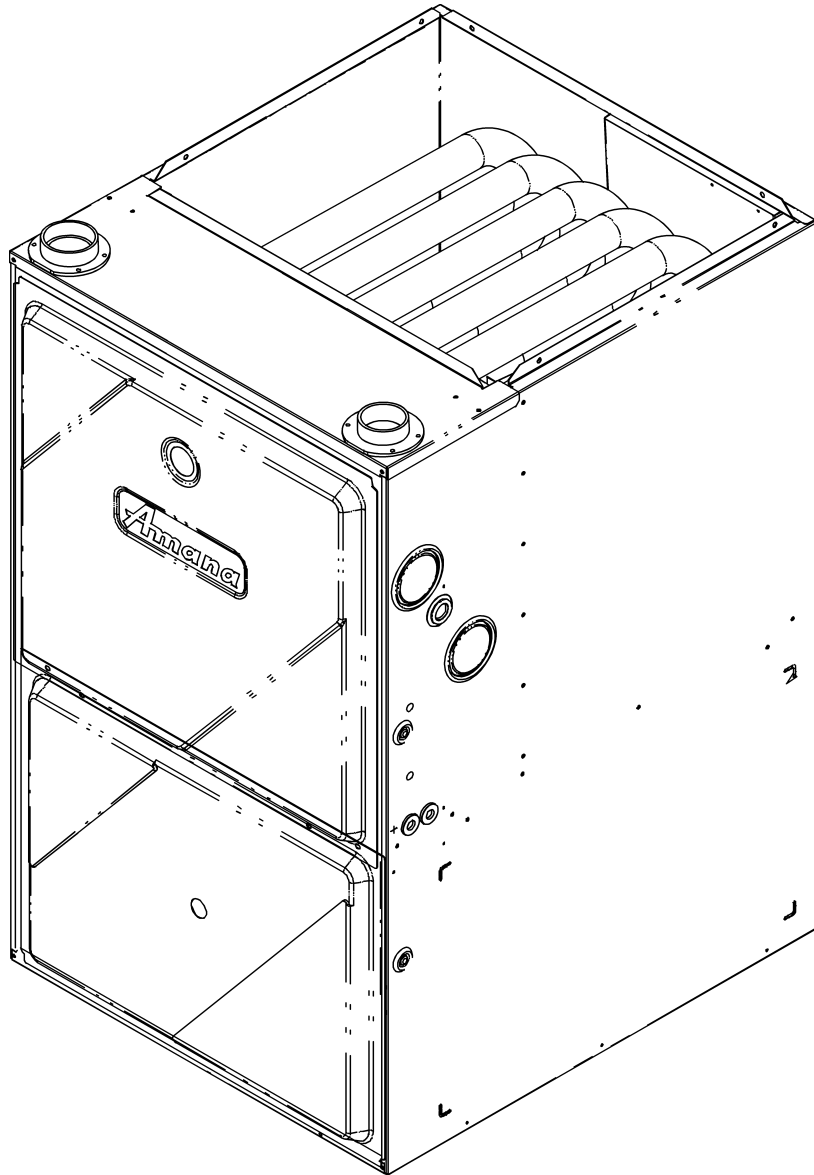


AMV9 90% Single Stage Variable Speed Furnace

AMV90453RX
AMV90453RX
AMV90453RX
AMV90704CX
AMV90704CX
AMV90704CX
AMV90905DX
AMV90905DX
AMV90905DX
AMV91155DX
AMV91155DX
AMV91155DX
AMV91155DX



Amana is a trademark of Maytag Corporation and used under license to Goodman Company, L.P. All rights reserved.

This manual is to be used by qualified technicians only.

This manual replaces RP-400B.

© 2006-2008 Goodman Company, L.P. ♦ 5151 San Felipe, Suite 500 ♦ Houston, TX 77056

Important Information

Index

Functional Parts List	3
Illustration and Parts	4 - 11

Views shown are for parts illustrations only, not servicing procedures

Rev. C: Added the main wiring harness part number 20276014. Updated heat exchanger part numbers.

Text Codes:

AR - As Required

NA - Not Available

NS - Not Shown

00000000 - See Note

QTY - Quantity Example (QTY 3) (If Quantity not shown, Quantity = 1)

M - Model Example (M1) (If M Code not shown, then part is used on all Models)

Expanded Model Nomenclature:

Example M1 - Model#1 M2 - Model#2 M3 - Model#3

Goodman Company, L.P. is not responsible for personal injury or property damage resulting from improper service. Review all service information before beginning repairs.

Warranty service must be performed by an authorized technician, using authorized factory parts. If service is required after the warranty expires, Goodman Company, L.P. also recommends contacting an authorized technician and using authorized factory parts.

Goodman Company, L.P. reserves the right to discontinue, or change at any time, specifications or designs without notice or without incurring obligations.

For assistance within the U.S.A. contact:

Consumer Affairs Department
Goodman Company, L.P.
7401 Security Way
Houston, Texas 77040
877-254-4729-Telephone
713-863-2382-Facsimile

For assistance outside the U.S.A. contact:

International Division
Goodman Company, L.P.
7401 Security Way
Houston, Texas 77040
713-861-2500-Telephone
713-863-2382-Facsimile

Functional Parts

Part

No: Description:

Expanded Model Nomenclature

0231K00037A	BLOWER MOTOR 1 HP PROGRAMMED (M10, M11, M12, M13)
0231K00036A	BLOWER MOTOR 1 HP PROGRAMMED (M7, M8, M9)
0231K00009A	BLOWER MOTOR 1/2 HP PROGRAMMED (M1, M2, M3)
0231K00024A	BLOWER MOTOR 3/4 HP PROGRAMMED (M4, M5, M6)
PCBBF106S	IGNITION BOARD, HSI INTEGRATED 2-STG (M2, M3, M5, M6, M8, M9, M11, M12, M13)
PCBBF121	IGNITION BOARD, HSI INTEGRATED 2-STG (M1, M4, M7, M10)
10123537	MANUAL RESET LIMIT (M4, M5, M6)
10123533	MANUAL RESET LIMIT (M4, M5, M6, M10, M11, M12, M13)
10123535	MANUAL RESET LIMIT (M1, M2, M3)
10123533	MANUAL RESET LIMIT (M10, M11, M12, M13)
10123537	MANUAL RESET LIMIT (M7, M8, M9)
10123518	MANUAL RESET LIMIT (M1, M2, M3)
11177113	PRESSURE SWITCH-GRAY (M1, M2, M3, M4, M5, M6)
11177114	PRESSURE SWITCH-OLIVE (M7, M8, M9, M10, M11, M12, M13)
20197308	PRESSURE SWITCH-YELLOW
20162907	PRIMARY LIMIT (M4, M5, M6)
20162903	PRIMARY LIMIT-BLUE (M10, M11, M12)
20162904	PRIMARY LIMIT-TEMPERATURE CONTROL (M13)
20162905	PRIMARY LIMIT-YELLOW (M1, M2, M3, M7, M8, M9)
10123536	RESET LIMIT, MANUAL 180°F (M7, M8, M9)
0130F00008S	SINI IGNITOR (M2, M3, M5, M6, M8, M9, M11, M12, M13)
11111701	SINI IGNITOR (M1, M4, M7, M10)
B1141605	TRANSFORMER 120V TO 24V, 40 VA

M1 - AMV90453BXAB
M2 - AMV90453BXBA
M3 - AMV90453BXBB
M4 - AMV90704CXAB
M5 - AMV90704CXBA
M6 - AMV90704CXBB
M7 - AMV90905DXAB
M8 - AMV90905DXBA
M9 - AMV90905DXBB
M10 - AMV91155DXAB
M11 - AMV91155DXBA
M12 - AMV91155DXBB
M13 - AMV91155DXBC

SPECIAL PARTS

IO-661	INSTALLATION INSTRUCTIONS
IO-253M	INSTALLATION INSTRUCTIONS
RP-400C	REPAIR PARTS MANUAL
HI-115A	USERS MANUAL

Cabinet

Image 1

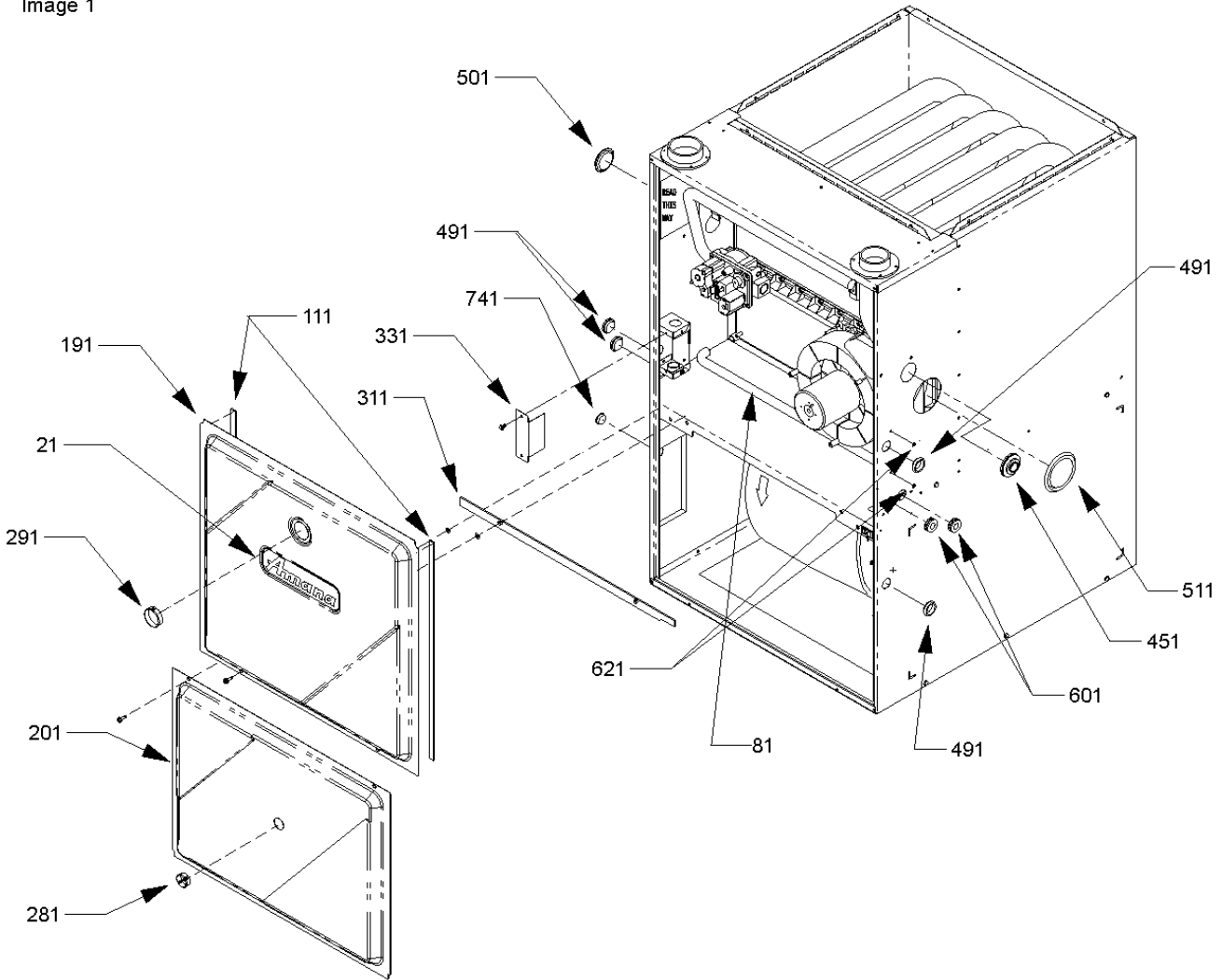
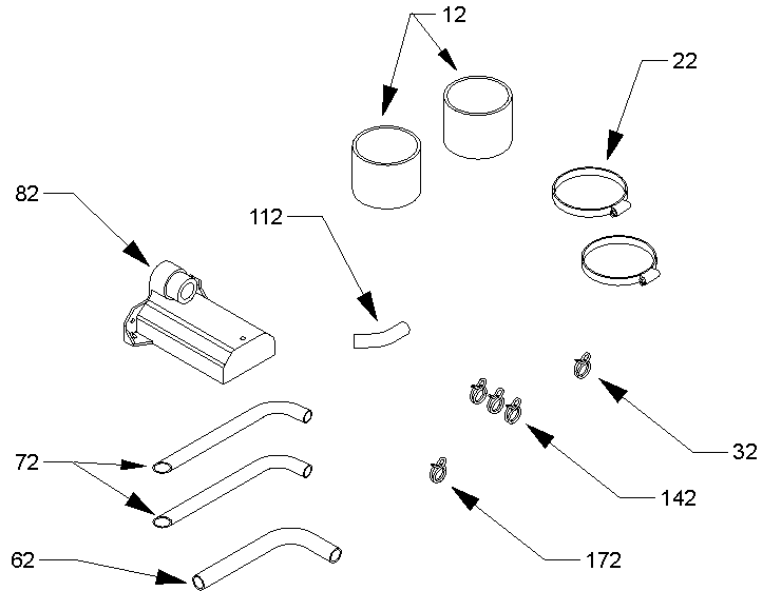


Image 2



Cabinet

Ref. Part No: No:	Description:	Ref. Part No: No:	Description:
-------------------	--------------	-------------------	--------------

Image 1:

21	0161M00003P	AMANA NAMEPLATE
81	20201902	DRAIN HOSE
111	20179308	GASKET (QTY 2)
191	0121F00066LG	ACCESS DOOR (M1, M2, M3)
191	0121F00067LG	ACCESS DOOR (M4, M5, M6)
191	0121F00068LG	ACCESS DOOR (M7, M8, M9, M10, M11, M12, M13)
201	0121F00063LG	BLOWER DOOR (M1, M2, M3)
201	0121F00064LG	BLOWER DOOR (M4, M5, M6)
201	0121F00065LG	BLOWER DOOR (M7, M8, M9, M10, M11, M12, M13)
281	B1392139	VIEW PORT BUSHING-BLOWER DOOR (M3, M6, M9, M12, M13)
281	B1392139	VIEW PORT BUSHING-BLOWER DOOR (M1, M2, M4, M5, M7, M8, M10, M11)
291	11104002	VIEW PORT BUSHING-ACCESS DOOR (M1, M2, M4, M5, M7, M8, M10, M11)
311	22320001	DECK GASKET (M1, M2, M3)
311	22320002	DECK GASKET (M4, M5, M6)
311	22320003	DECK GASKET (M7, M8, M9, M10, M11, M12, M13)
331	10736201	COVER, HIGH VOLTAGE BOX (M1, M2, M4, M5, M7, M8, M10, M11)
451	M0501301	PIPE GROMMET
491	M0570808	BUTTON PLUG (QTY 4)
501	M0570806	PLUG-BUTTON
511	M0570807	BUTTON PLUG
601	A4691701	GROMMET (QTY 2)
621	M0310345	BUTTON PLUG (QTY 2)
741	B1392104	UNIVERSAL BUSHING UB 875 (QTY 2) (M1, M2, M4, M5, M7, M8, M10, M11)
NS	10195517Q	STANDPIPE BAG ASSY

Expanded Model Nomenclature

M1 - AMV90453BXAB
M2 - AMV90453BXBA
M3 - AMV90453BXBB
M4 - AMV90704CXAB
M5 - AMV90704CXBA
M6 - AMV90704CXBB
M7 - AMV90905DXAB
M8 - AMV90905DXBA
M9 - AMV90905DXBB
M10 - AMV91155DXAB
M11 - AMV91155DXBA
M12 - AMV91155DXBB
M13 - AMV91155DXBC

Image 2:

12	10254303	RUBBER COUPLING
22	A3326002	HOSE CLAMP (QTY 2)
32	M0119207	HOSE CLAMP
62	20201901	DRAIN HOSE
72	20201802	DRAIN TUBE (QTY 2)
82	20171701	DRAIN TRAP
112	20214203	DRAIN ANGLE
142	M0119205	HOSE CLAMP (QTY 3)
172	M0119206	HOSE CLAMP

Blower Assembly

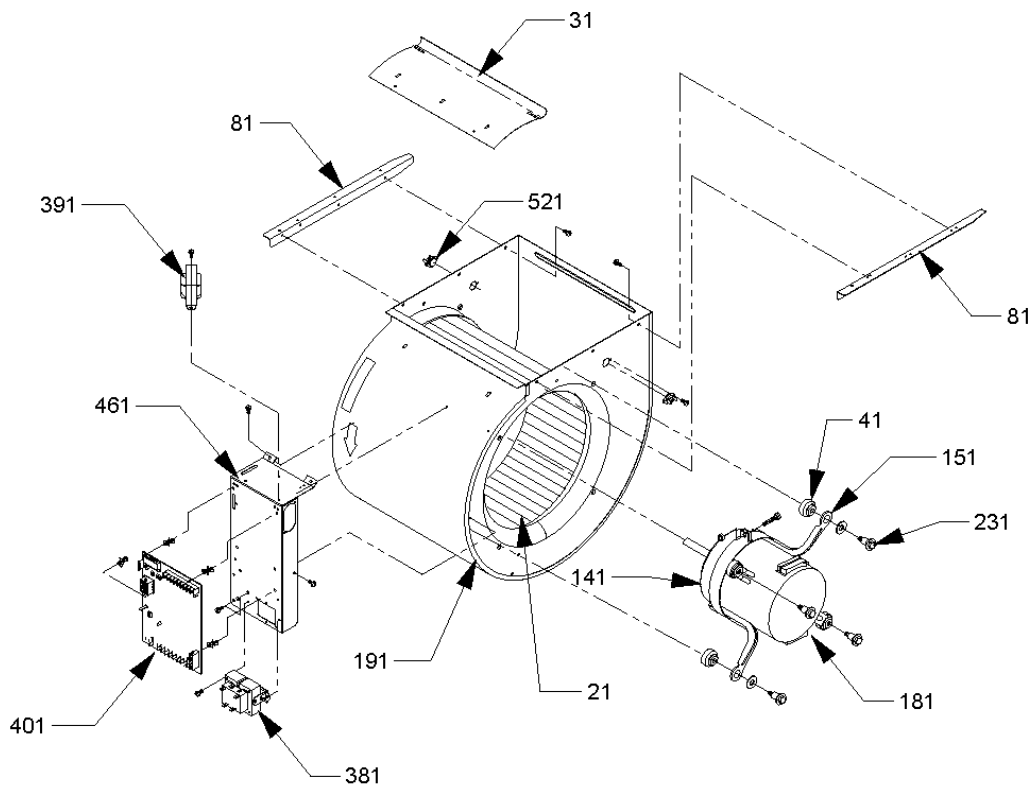
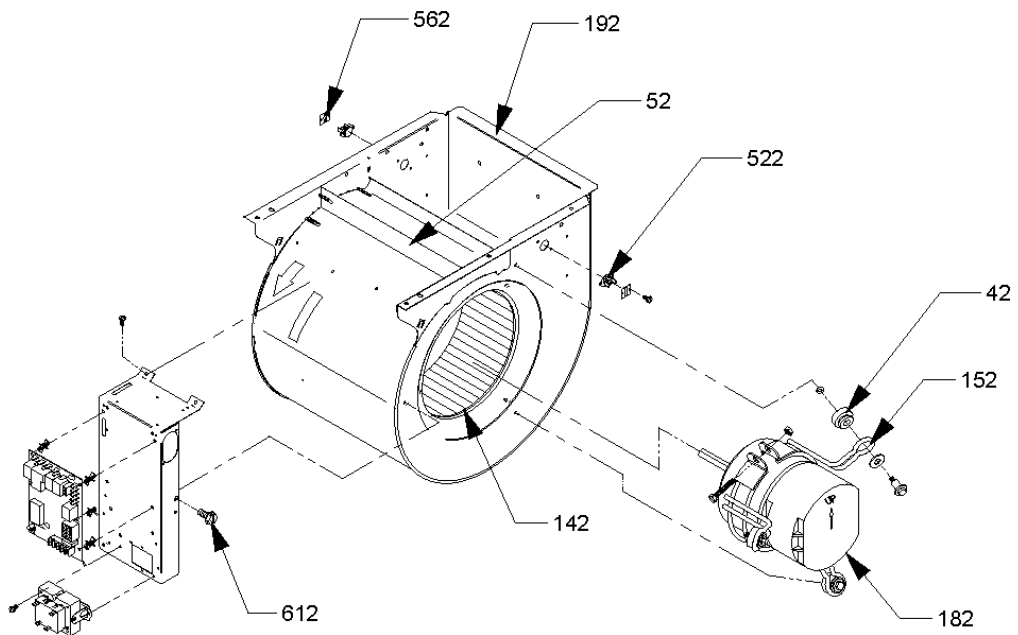


Image 1

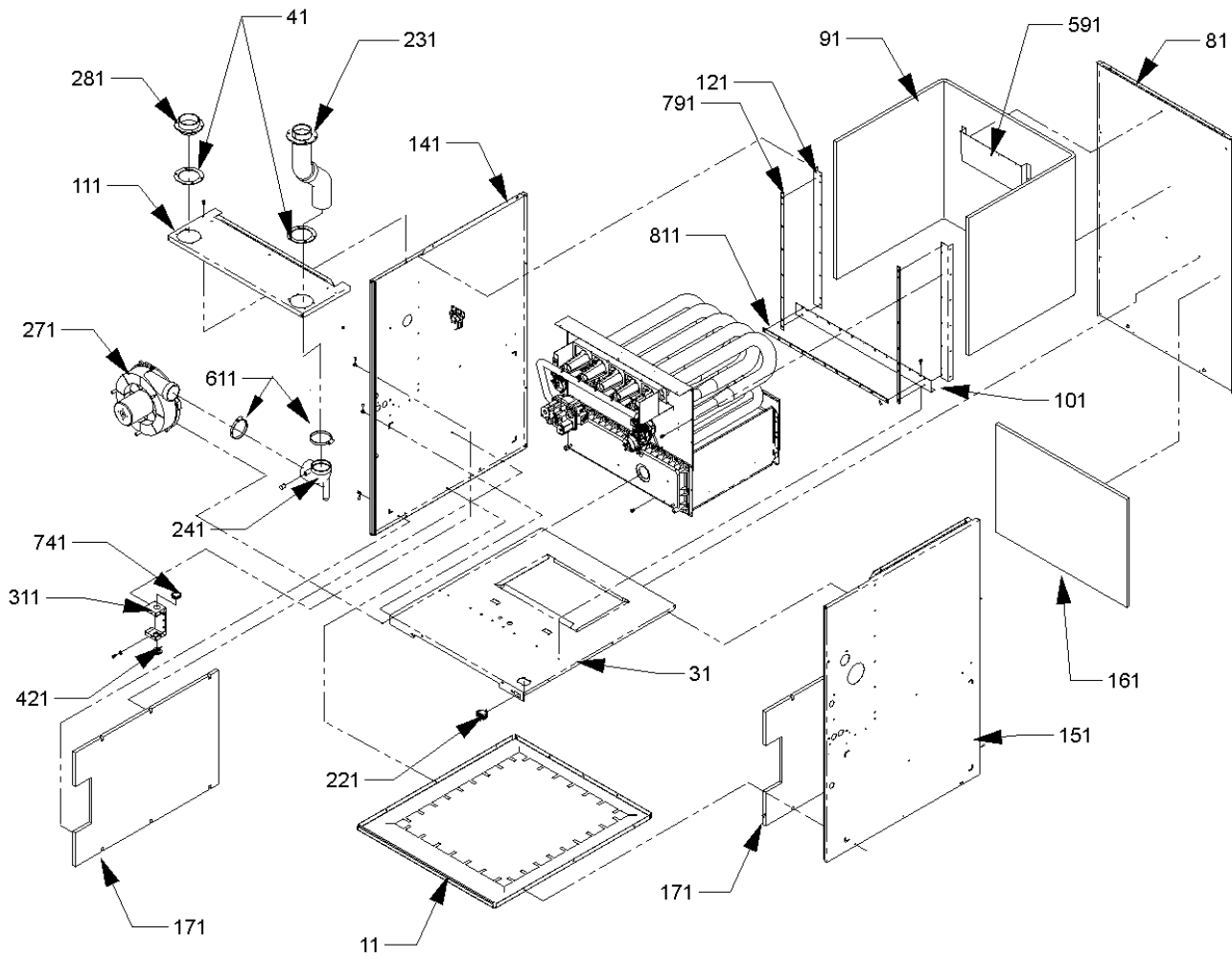
Image 2



Blower Assembly

Ref. Part No:	No:	Description:	Ref. Part No:	No:	Description:													
<i>Image 1:</i>			<i>Image 2:</i>															
21	D6723311S	BLOWER WHEEL (M7, M8, M9, M10, M11, M12, M13)	522	10123535	MANUAL RESET LIMIT (M1, M2, M3)													
21	B1368047	BLOWER WHEEL 10 X 10 (M4, M5, M6)	522	10123537	MANUAL RESET LIMIT (M4, M5, M6)													
31	C6121807	BLOWER CUT-OFF (M7, M8, M9, M10, M11, M12, M13)	562	2509503F	AUXILIARY LIMIT BRACKET (M1, M2, M3, M4, M5, M6)													
41	A4002701	BLOWER MOTOR GROMMET (M7, M10)	612	M0250558	TC SCREW (M1, M2, M3, M4, M5, M6)													
41	A4002702	BLOWER MOTOR GROMMET (M8, M9, M11, M12, M13)	Expanded Model Nomenclature															
81	20175101	BLOWER SIDE RAIL (M7, M8, M9, M10, M11, M12, M13)	<table border="1"> <tr><td>M1 - AMV90453BXAB</td></tr> <tr><td>M2 - AMV90453BXBA</td></tr> <tr><td>M3 - AMV90453BXBB</td></tr> <tr><td>M4 - AMV90704CXAB</td></tr> <tr><td>M5 - AMV90704CXBA</td></tr> <tr><td>M6 - AMV90704CXBB</td></tr> <tr><td>M7 - AMV90905DXAB</td></tr> <tr><td>M8 - AMV90905DXBA</td></tr> <tr><td>M9 - AMV90905DXBB</td></tr> <tr><td>M10 - AMV91155DXAB</td></tr> <tr><td>M11 - AMV91155DXBA</td></tr> <tr><td>M12 - AMV91155DXBB</td></tr> <tr><td>M13 - AMV91155DXBC</td></tr> </table>			M1 - AMV90453BXAB	M2 - AMV90453BXBA	M3 - AMV90453BXBB	M4 - AMV90704CXAB	M5 - AMV90704CXBA	M6 - AMV90704CXBB	M7 - AMV90905DXAB	M8 - AMV90905DXBA	M9 - AMV90905DXBB	M10 - AMV91155DXAB	M11 - AMV91155DXBA	M12 - AMV91155DXBB	M13 - AMV91155DXBC
M1 - AMV90453BXAB																		
M2 - AMV90453BXBA																		
M3 - AMV90453BXBB																		
M4 - AMV90704CXAB																		
M5 - AMV90704CXBA																		
M6 - AMV90704CXBB																		
M7 - AMV90905DXAB																		
M8 - AMV90905DXBA																		
M9 - AMV90905DXBB																		
M10 - AMV91155DXAB																		
M11 - AMV91155DXBA																		
M12 - AMV91155DXBB																		
M13 - AMV91155DXBC																		
141	10441601	MOTOR MOUNT BAND (M7, M8, M9, M10, M11, M12, M13)																
151	10441501	MOTOR MOUNT ARM (M7, M8, M9, M10, M11, M12, M13)																
181	0231K00036A	BLOWER MOTOR 1 HP PROGRAMMED (M7, M8, M9)																
181	0231K00037A	BLOWER MOTOR 1 HP PROGRAMMED (M10, M11, M12, M13)																
191	11185811	BLOWER HOUSING 11 X 10 (M7, M8, M9, M10, M11, M12, M13)																
191	0271F00004P	BLOWER HOUSING ASSY 10 X 10 (M4, M5, M6)																
191	0271F00047	BLOWER HOUSING ASSY 11 X 10 (M7, M8, M9, M10, M11, M12, M13)																
231	M0221461	TC SCREW (M1, M2, M3, M4, M5, M6)																
381	B1141605	TRANSFORMER 120V TO 24V, 40 VA																
391	20218901	INDUCTOR COIL (M4, M5, M6, M7, M8, M9, M10, M11, M12, M13)																
401	PCBBF106S	IGNITION BOARD, HSI INTEGRATED 2-STG (M2, M3, M5, M6, M8, M9, M11, M12, M13)																
401	PCBBF121	IGNITION BOARD, HSI INTEGRATED 2-STG (M1, M4, M7, M10)																
461	0121F00025P	CONTROL BRACKET																
521	10123533	MANUAL RESET LIMIT (M10, M11, M12, M13)																
521	10123536	RESET LIMIT, MANUAL 180°F (M7, M8, M9)																
NS	0159F00004	MAIN WIRING HARNESS (M2, M3, M5, M6, M8, M9, M11, M12, M13)																
NS	20276014	MAIN WIRING HARNESS (M1, M4, M7, M10)																
NS	20275905	WIRING HARNESS																
NS	11118705	WIRING HARNESS (16-PIN, MOTOR TO INTERFACE BOARD)																
<i>Image 2:</i>																		
42	A4002702	BLOWER MOTOR GROMMET (M1, M2, M3, M4, M5, M6)																
52	764741F	BLOWER BLOCK-OFF 10 X 10 (M4, M5, M6)																
52	764740F	BLOWER BLOCK-OFF 10 X 8 (M1, M2, M3)																
142	D6723310S	BLOWER WHEEL (M1, M2, M3)																
152	C9443702	MOTOR MOUNT BRACKET (M1, M2, M3, M4, M5, M6)																
182	0231K00009A	BLOWER MOTOR 1/2 HP PROGRAMMED (M1, M2, M3)																
182	0231K00024A	BLOWER MOTOR 3/4 HP PROGRAMMED (M4, M5, M6)																
192	0271F00002P	BLOWER HOUSING ASSY 10 X 8 (M1, M2, M3)																

Chassis



Chassis

Ref. Part No:	No:	Description:	Ref. Part No:	No:	Description:
<i>Image 1:</i>			<i>Image 1:</i>		
11	0121F00050DGS	BASE PAN (M1, M2, M3)	811	20194605	GASKET (M1, M2, M3)
11	0121F00051DG	BASE PAN (M4, M5, M6)	811	20194606	GASKET (M4, M5, M6)
11	0121F00052DG	BASE PAN (M7, M8, M9, M10, M11, M12, M13)	811	20194607	GASKET (M7, M8, M9, M10, M11, M12, M13)
31	0121F00043	BLOWER DECK (M1, M2, M3)	Expanded Model Nomenclature		
31	0121F00045	BLOWER DECK (M4, M5, M6)			
31	0121F00048	BLOWER DECK (M7, M8, M9, M10, M11, M12, M13)			
41	0154F00000P	COIL GASKET (M1, M2, M3)			
41	0154F00001P	COIL GASKET (M4, M5, M6)			
41	0154F00002P	COIL GASKET (M7, M8, M9, M10, M11, M12, M13)			
81	20273208	BACK PANEL (M1, M2, M3)			
81	20273210	BACK PANEL (M4, M5, M6)			
81	20273212	BACK PANEL (M7, M8, M9, M10, M11, M12, M13)			
91	C6415909	HEAT EXCHANGER INSULATION (M7, M8, M9, M10, M11, M12, M13)			
91	C6415910	HEAT EXCHANGER INSULATION (M1, M2, M3)			
91	C6415911	HEAT EXCHANGER INSULATION (M4, M5, M6)			
101	0121F00018P	DECK RAIL (M1, M2, M3)			
101	0121F00019P	DECK RAIL (M4, M5, M6)	M2 - AMV90453BXBA		
101	20191303	DECK RAIL (M7, M8, M9, M10, M11, M12, M13)	M3 - AMV90453BXBB		
111	0270F00001PS	TOP COVER ASSY (M4, M5, M6)	M4 - AMV90704CXAB		
111	0270F00002PS	TOP COVER ASSY (M7, M8, M9, M10, M11, M12, M13)	M5 - AMV90704CXBA		
111	0270F00100PS	TOP COVER ASSY (M1, M2, M3)	M6 - AMV90704CXBB		
121	20191602	SIDE RAIL (M1, M2, M3)	M7 - AMV90905DXAB		
121	20191603	SIDE RAIL (M4, M5, M6)	M8 - AMV90905DXBA		
121	20191604	SIDE RAIL (M7, M8, M9, M10, M11, M12, M13)	M9 - AMV90905DXBB		
141	0121F00092DGS	SIDE PANEL LH	M10 - AMV91155DXAB		
151	0121F00090DGS	SIDE PANEL RH	M11 - AMV91155DXBA		
161	20006601	INSULATION (M1, M2, M3)	M12 - AMV91155DXBB		
161	20006602	INSULATION (M4, M5, M6)	M13 - AMV91155DXBC		
161	20006603	INSULATION (M7, M8, M9, M10, M11, M12, M13)			
171	20243503	SIDE INSULATION (QTY 2)			
221	B1370818	INTERLOCK SWITCH			
231	22309501	FLUE PIPE			
241	20171802	ELBOW			
271	20245903S	ID BLOWER			
281	20049701	FA COUPLING			
311	10736102	HIGH VOLTAGE BOX (M1, M2, M4, M5, M7, M8, M10, M11)			
421	A4554801	SNAP BUSHING (M1, M2, M4, M5, M7, M8, M10, M11)			
591	11165107	ID BLOWER SHIELD			
611	A3326002	HOSE CLAMP (QTY 2)			
741	B1392104	UNIVERSAL BUSHING UB 875 (M3, M6, M9, M12, M13)			
791	20194608	GASKET (QTY 2)			

Heat Exchanger Assy/Manifold/Gas Valve

Ref. Part No:	No:	Description:	Ref. Part No:	No:	Description:
<i>Image 1:</i>			<i>Image 1:</i>		
11	0130F00008S	SINI IGNITOR (M2, M3, M5, M6, M8, M9, M11, M12, M13)	NS	0164M00013	HOSE-PRESSURE SW (M1)
11	11111701	SINI IGNITOR (M1, M4, M7, M10)	NS	0164M00014	HOSE-PRESSURE SW (M4, M5, M6, M7, M8, M9)
21	0151F00000P	GAS VALVE HSI (2-STAGE NAT)	NS	0164M00002	PRESSURE SWITCH HOSE (QTY 2)
31	10716003	ORIFICE (QTY 2)	NS	0164M00007	PRESSURE SWITCH HOSE (M2, M3, M5, M6, M7, M8, M9)
41	0130F00010	FLAME SENSOR	NS	0164M00011	PRESSURE SWITCH HOSE (M3)
51	0257F00143S	HEAT EXCHANGER ASSY 2B (M1, M2, M3)	NS	0164M00012	PRESSURE SWITCH HOSE (M2)
51	0257F00146S	HEAT EXCHANGER ASSY 3B (M4, M5, M6)	NS	0164M00015	PRESSURE SWITCH HOSE (M1, M4, M10, M11, M12, M13)
51	0257F00140S	HEAT EXCHANGER ASSY 4B (M7, M8, M9)	NS	0164M00017	PRESSURE SWITCH HOSE (M10, M11, M12, M13)
51	0257F00174S	HEAT EXCHANGER ASSY 5B (M10, M11, M12, M13)	Expanded Model Nomenclature <div style="border: 1px solid black; padding: 5px;"> M1 - AMV90453BXAB M2 - AMV90453BXBA M3 - AMV90453BXBB M4 - AMV90704CXAB M5 - AMV90704CXBA M6 - AMV90704CXBB M7 - AMV90905DXAB M8 - AMV90905DXBA M9 - AMV90905DXBB M10 - AMV91155DXAB M11 - AMV91155DXBA M12 - AMV91155DXBB M13 - AMV91155DXBC </div>		
71	10735102S	BECKETT BURNER (QTY 2)			
91	20190410	BURNER BRACKET 2B (M1, M2, M3)			
91	20190411	BURNER BRACKET 3B (M4, M5, M6)			
91	20190412	BURNER BRACKET 4B (M7, M8, M9)			
91	20190413	BURNER BRACKET 5B (M10, M11, M12, M13)			
131	20170804AS	FRONT COVER (M1, M2, M3)			
131	20170903AS	FRONT COVER (M4, M5, M6)			
131	20171003AS	FRONT COVER (M7, M8, M9)			
131	20171004AS	FRONT COVER (M12, M13)			
131	20171004AS	FRONT COVER (M10, M11)			
141	0154F00000P	COIL GASKET (M1, M2, M3)			
141	0154F00001P	COIL GASKET (M4, M5, M6)			
141	0154F00002P	COIL GASKET (M7, M8, M9, M10, M11, M12, M13)			
151	10123518	MANUAL RESET LIMIT (M1, M2, M3)			
151	10123533	MANUAL RESET LIMIT (M4, M5, M6, M10, M11, M12, M13)			
151	10123537	MANUAL RESET LIMIT (M7, M8, M9)			
161	M0326804	TUBE PLUG (QTY 3)			
171	20196401	MANIFOLD - 2 BRNR (M1, M2, M3)			
171	20196402	MANIFOLD - 3 BRNR (M4, M5, M6)			
171	20196403	MANIFOLD - 4 BRNR (M7, M8, M9)			
171	20196404	MANIFOLD - 5 BRNR (M10, M11, M12, M13)			
291	20197308	PRESSURE SWITCH-YELLOW			
301	11177113	PRESSURE SWITCH-GRAY (M1, M2, M3, M4, M5, M6)			
301	11177114	PRESSURE SWITCH-OLIVE (M7, M8, M9, M10, M11, M12, M13)			
321	11072201	ORIFICE SHIELD (M1, M2, M3)			
321	11072202	ORIFICE SHIELD (M4, M5, M6)			
321	11072203	ORIFICE SHIELD (M7, M8, M9)			
321	11072204	ORIFICE SHIELD (M10, M11, M12, M13)			
371	20162907	PRIMARY LIMIT (M4, M5, M6)			
371	20162903	PRIMARY LIMIT-BLUE (M10, M11, M12)			
371	20162904	PRIMARY LIMIT-TEMPERATURE CONTROL (M13)			
371	20162905	PRIMARY LIMIT-YELLOW (M1, M2, M3, M7, M8, M9)			