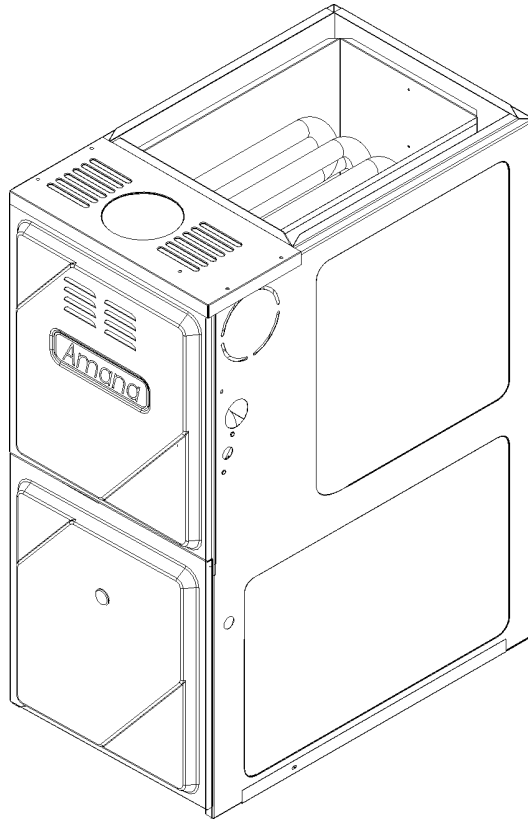


## AMV8\*BA 80% Two Stage Variable Speed Furnace

AMV80704BXBA  
AMV80704BXBB  
AMV80905CXBA  
AMV80905CXBB  
AMV81155CXBA  
AMV81155CXBB



# Important Information

---

## Index

Functional Parts List .....	3
Illustration and Parts .....	4 - 13

*Views shown are for parts illustrations only, not servicing procedures*

Rev. A: Added "BB" models.

### Text Codes:

AR - As Required

NA - Not Available

NS - Not Shown

00000000 - See Note

QTY - Quantity Example (QTY 3) (If Quantity not shown, Quantity = 1)

M - Model Example (M1) (If M Code not shown, then part is used on all Models)

### Expanded Model Nomenclature:

Example

M1 - Model#1

M2 - Model#2

M3 - Model#3

Goodman Company, L.P. is not responsible for personal injury or property damage resulting from improper service. Review all service information before beginning repairs.

Warranty service must be performed by an authorized technician, using authorized factory parts. If service is required after the warranty expires, Goodman Company, L.P. also recommends contacting an authorized technician and using authorized factory parts.

Goodman Company, L.P. reserves the right to discontinue, or change at any time, specifications or designs without notice or without incurring obligations. Amana® brand products are proudly made in the USA.

For assistance within the U.S.A. contact:

Consumer Affairs Department

Goodman Company, L.P.

7401 Security Way

Houston, Texas 77040

877-254-4729-Telephone

713-863-2382-Facsimile

For assistance outside the U.S.A. contact:

International Division

Goodman Company, L.P.

7401 Security Way

Houston, Texas 77040

713-861-2500-Telephone

713-863-2382-Facsimile

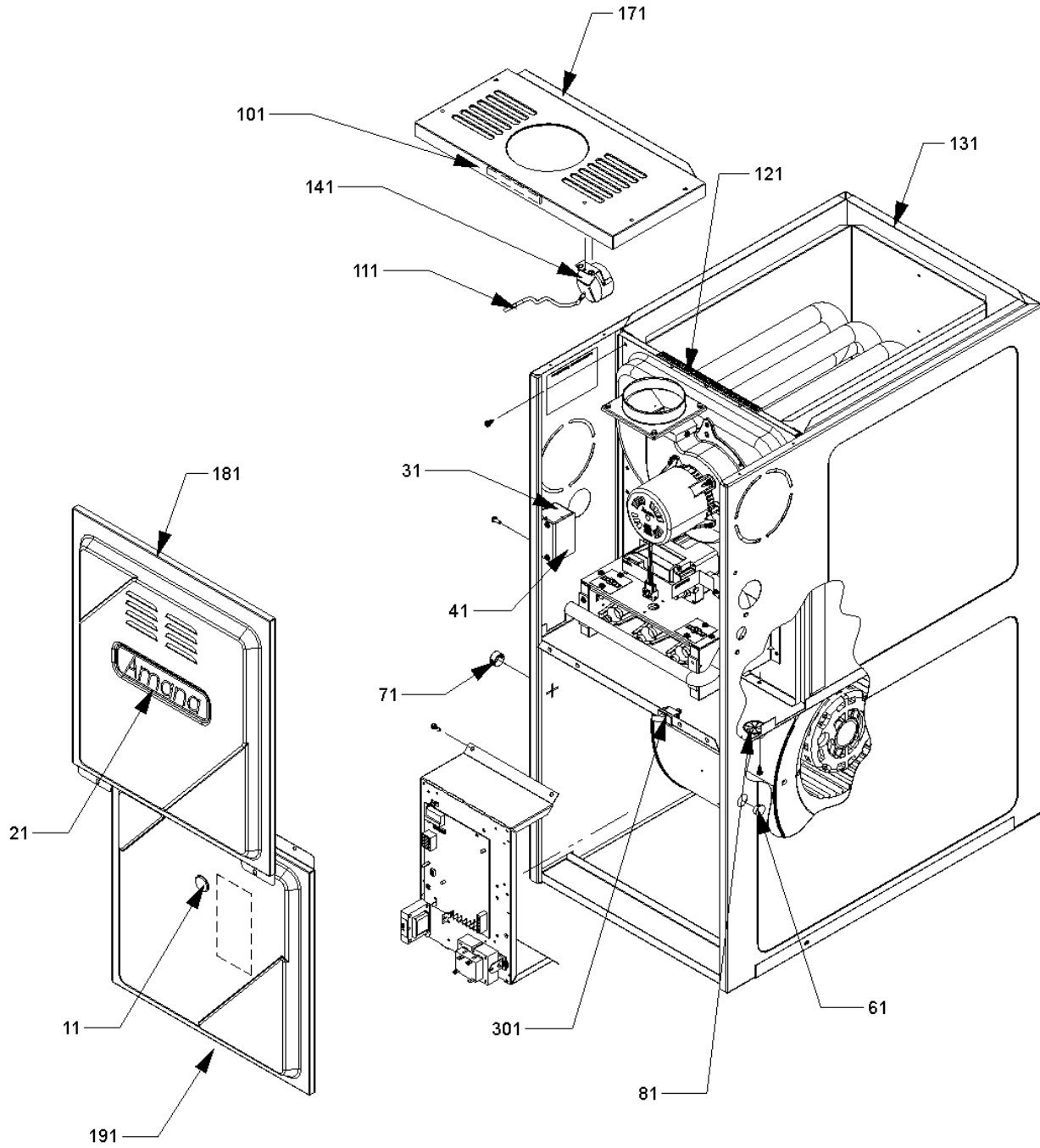
# Functional Parts

**Part No:**

**Description:**

Part No:	Description:	SPECIAL PARTS							
0259F00028	ASSY, INDUCTOR HARNESS	0142F00004	AMANA TAX CREDIT 50						
B4022700	ASSY, INSHOT BURNER 3" (QTY 3)	HI-115A	HOMEOWNERS INSTRUCTIONS						
B4068409	ASSY, WIRE HARNESS	IO-316	INSTALLATION INSTRUCTIONS						
20269903	AUXILIARY LIMIT (QTY 2)	0161M00003P	NAMEPLATE, AMANA						
B1809927S	BOARD, HSI, 2-STAGE MINI	RP-421A	REPAIR PARTS MANUAL						
0130F00010	FLAME SENSOR	Expanded Model Nomenclature							
B4026006	GAS MANIFOLD, 3 CELL (M1, M2)	<table border="1"> <tr><td>M1 - AMV80704BXBA</td></tr> <tr><td>M2 - AMV80704BXBB</td></tr> <tr><td>M3 - AMV80905CXBA</td></tr> <tr><td>M4 - AMV80905CXBB</td></tr> <tr><td>M5 - AMV81155CXBA</td></tr> <tr><td>M6 - AMV81155CXBB</td></tr> </table>		M1 - AMV80704BXBA	M2 - AMV80704BXBB	M3 - AMV80905CXBA	M4 - AMV80905CXBB	M5 - AMV81155CXBA	M6 - AMV81155CXBB
M1 - AMV80704BXBA									
M2 - AMV80704BXBB									
M3 - AMV80905CXBA									
M4 - AMV80905CXBB									
M5 - AMV81155CXBA									
M6 - AMV81155CXBB									
B4026007	GAS MANIFOLD, 4 CELL (M3, M4)								
B4026008	GAS MANIFOLD, 5 CELL (M5, M6)								
0151F00000P	GAS VALVE								
B1378702	HIGH VOLTAGE WIRE HARNESS								
0130F00008	IGNITOR-SINI 17 SEC								
B1141666	INDUCTOR, 5.9 AMPS								
B13400912GBS	MOTOR, 3/4 HP (M1, M2)								
B13400913GBS	MOTOR, 3/4 HP (M3, M4)								
B13400914GBS	MOTOR, 3/4 HP (M5, M6)								
B4089343	ORIFICE (QTY 3)								
B1370145	ROLLOUT SWITCH, 300 W/O BRACKET (QTY 2)								
4021315S	SUB-ASSY, HEAT EXCHANGER 3 CELL 17.5" (M1, M2)								
4021317S	SUB-ASSY, HEAT EXCHANGER 4 CELL 21" (M3, M4)								
4021318S	SUB-ASSY, HEAT EXCHANGER 5 CELL 21" (M5, M6)								
B1370210	SWITCH, AIR PRESSURE 2-STAGE (M5)								
B1370208	SWITCH, AIR PRESSURE 2-STAGE (M1)								
11177121	SWITCH, AIR PRESSURE 2-STAGE (M2, M4, M6)								
B1370209	SWITCH, AIR PRESSURE 2-STAGE (M3)								
B1370207	SWITCH, PRIMARY LIMIT 130°F (M5, M6)								
B1370198	SWITCH, PRIMARY LIMIT 150°F (M1, M2, M3, M4)								
B1141605	TRANSFORMER 120V TO 24V, 40V								
0131M00003S	VENT MOTOR, 2-STAGE (M1, M3, M5)								
0131M00047S	VENT MOTOR, 2-STAGE ROUND NOSE (M2, M4, M6)								
0259F00003P	WIRE KIT, 2-STAGE								
11118705	WIRING HARNESS								

# Cabinet



# Cabinet

Ref. Part No: No:	Description:	Ref. Part No: No:	Description:
<i>Image 1:</i>			
11	B1392139		VIEW PORT BUSHING, BLOWER DOOR
21	0161M00003P		NAMEPLATE, AMANA
31	4014502		J-BOX
41	4015502		J-BOX COVER
41	B1370208		SWITCH, AIR PRESSURE 2-STAGE (M1)
61	B1392019		PLASTIC PLUG .875 DIA
71	B1392104		UNIVERSAL BUSHING UB 875
81	B1392147		UNIVERSAL BUSHING WITH SLICE
101	B13926111		SEAL STRIP, 1/8 X 1/2 X 14
111	A3468601		PRESSURE SWITCH HOSE
121	B13926112		SEAL STRIP, 1/8 X 1/2 X 17.5 (M1, M2)
121	B13926113		SEAL STRIP, 1/8 X 1/2 X 21 (M3, M4, M5, M6)
131	4016116		WRAPPER 17.5" (M1, M2)
131	4016117		WRAPPER 21" (M3, M4, M5, M6)
141	11177121		SWITCH, AIR PRESSURE 2-STAGE (M2, M4, M6)
141	B1370209		SWITCH, AIR PRESSURE 2-STAGE (M3)
141	B1370210		SWITCH, AIR PRESSURE 2-STAGE (M5)
171	0221F00001PDG		TOP, FURNACE 17.5" (M1, M2)
171	0221F00002PDG		TOP, FURNACE 21" (M3, M4, M5, M6)
181	4012008PLG		DOOR, ACCESS 17.5" (M1, M2)
181	4012009PLG		DOOR, ACCESS 21" (M3, M4, M5, M6)
191	4015006PLG		DOOR, BLOWER 21" (M3, M4, M5, M6)
191	4015005PLG		DOOR, BLOWER 17.5" (M1, M2)
301	B1370818		SWITCH-INTERLOCK

## Expanded Model Nomenclature

M1 - AMV80704BXBA
M2 - AMV80704BXBB
M3 - AMV80905CXBA
M4 - AMV80905CXBB
M5 - AMV81155CXBA
M6 - AMV81155CXBB

# Blower Assy/Control Panel

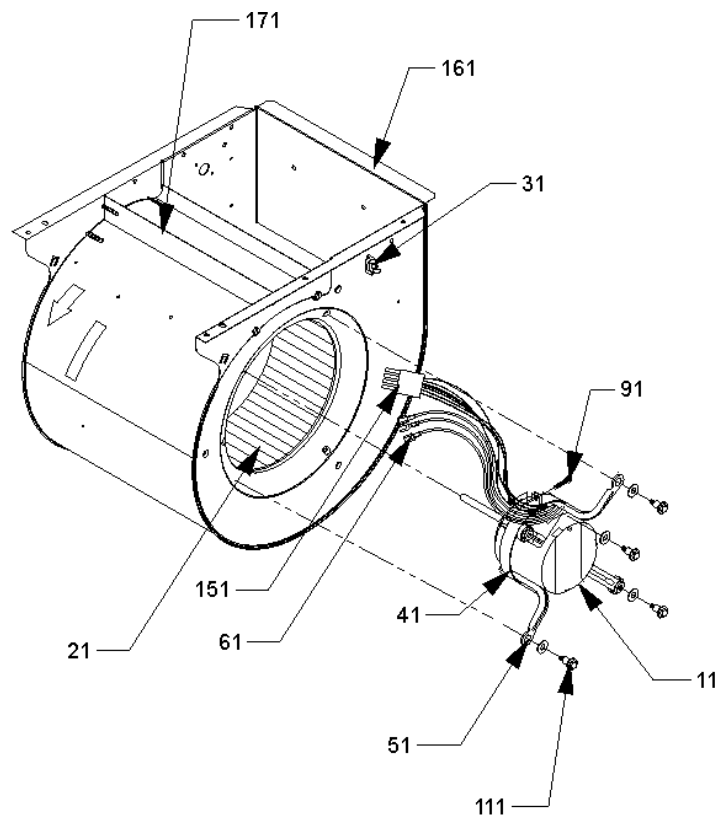
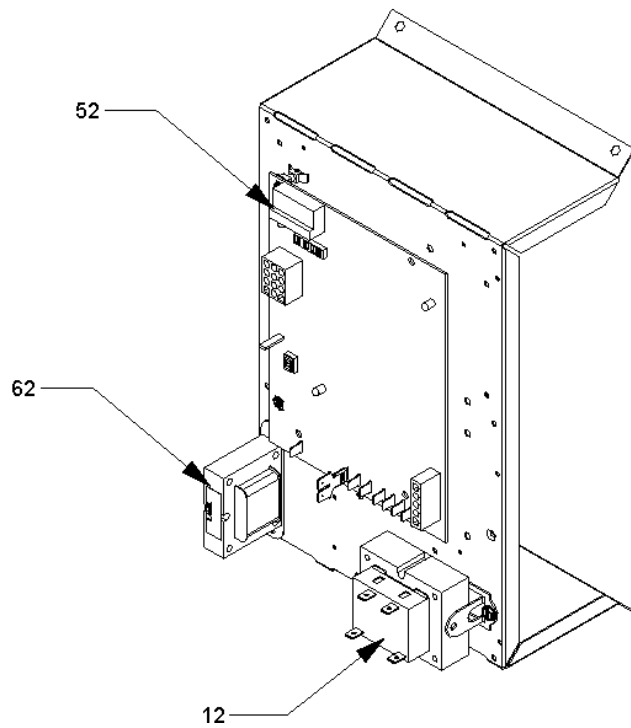


Image 1

Image 2



# Blower Assy/Control Panel

Ref. Part No:	Ref. Part No:	Description:	Description:
---------------	---------------	--------------	--------------

*Image 1:*

11	B13400912GBS	MOTOR, 3/4 HP (M1, M2)
11	B13400913GBS	MOTOR, 3/4 HP (M3, M4)
11	B13400914GBS	MOTOR, 3/4 HP (M5, M6)
21	B1368047A	BLOWER WHEEL 10 X 10 (M3, M4, M5, M6)
21	B1368016S	BLOWER WHEEL 10 X 8 (M1, M2)
31	20269903	AUXILIARY LIMIT (QTY 2)
41	B1376851	MOTOR MOUNT BAND
51	B1376853	MOTOR MOUNT ARM (QTY 3)
61	B1378702	HIGH VOLTAGE WIRE HARNESS
91	B1393323	SCREW, MACHINE HWH 1/4-20X1 1/2 BZ
111	B1393527	SCREW, HWH, 14X1-1/2, A, BZ, SLOT (QTY 3)
151	11118705	WIRING HARNESS
161	2539311	BLOWER HOUSING ASSY 10 X 10 (M3, M4, M5, M6)
161	2539310S	BLOWER HOUSING ASSY 10 X 8 (M1, M2)
171	764741	BLOWER BLOCK-OFF 10 X 10 (M3, M4, M5, M6)
171	764740	BLOWER BLOCK-OFF 10 X 8 (M1, M2)
NS	B1393800	LOCKNUT, NYLON, INSERT 1/4"

*Image 2:*

12	B1141605	TRANSFORMER 120V TO 24V, 40V
52	B1809927S	BOARD, HSI, 2-STAGE MINI
62	B1141666	INDUCTOR, 5.9 AMPS
NS	0259F00028	ASSY, INDUCTOR HARNESS

Expanded Model Nomenclature

M1 - AMV80704BXBA
M2 - AMV80704BXBB
M3 - AMV80905CXBA
M4 - AMV80905CXBB
M5 - AMV81155CXBA
M6 - AMV81155CXBB

# Heat Exchanger Assy/Flue Collector Box "BA" models

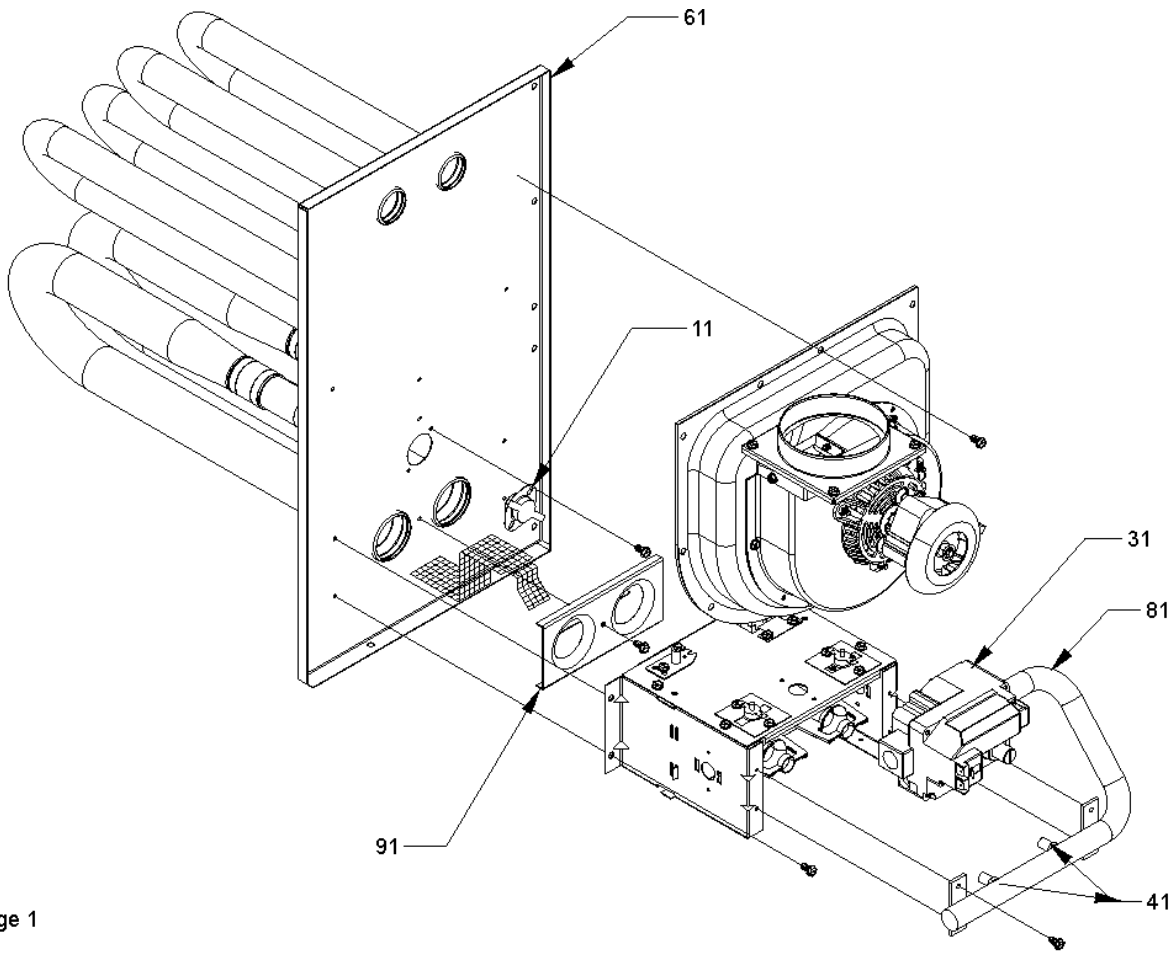
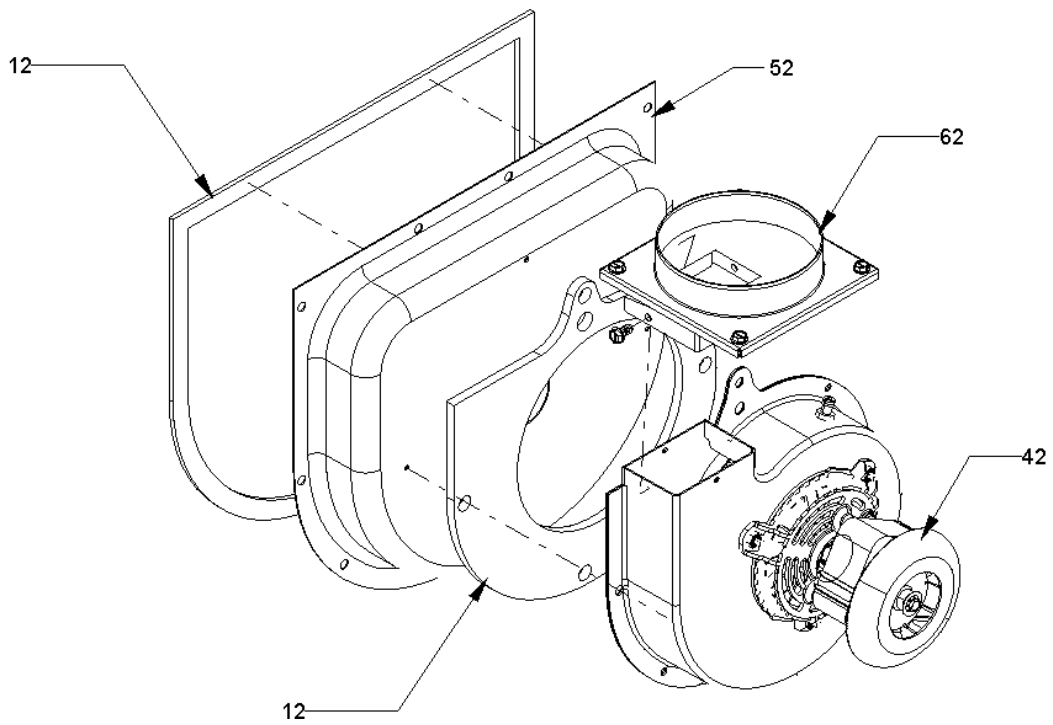


Image 1

Image 2



# Heat Exchanger Assy/Flue Collector Box "BA" models

Ref. Part No: No:	Description:	Ref. Part No: No:	Description:
-------------------	--------------	-------------------	--------------

*Image 1:*

11	B1370207	SWITCH, PRIMARY LIMIT 130°F (M5)
11	B1370198	SWITCH, PRIMARY LIMIT 150°F (M1, M3)
31	0151F00000P	GAS VALVE (M1, M3, M5)
41	B4089343	ORIFICE (M1, M3, M5)
61	4021315S	SUB-ASSY, HEAT EXCHANGER 3 CELL 17.5" (M1)
61	4021317S	SUB-ASSY, HEAT EXCHANGER 4 CELL 21" (M3)
61	4021318S	SUB-ASSY, HEAT EXCHANGER 5 CELL 21" (M5)
81	B4026006	GAS MANIFOLD, 3 CELL (M1)
81	B4026007	GAS MANIFOLD, 4 CELL (M3)
81	B4026008	GAS MANIFOLD, 5 CELL (M5)
91	4028001	ORIFICE PLATE 3 CELL (M1)
91	4028002	ORIFICE PLATE 4 CELL (M3)
91	4028003	ORIFICE PLATE 5 CELL (M5)

*Image 2:*

12	B1392634	GASKET, VENT MOTOR 17.5" (M1)
12	B1392635	GASKET, VENT MOTOR 21" (M3, M5)
42	0131M00003S	VENT MOTOR, 2-STAGE (M1, M3, M5)
52	4010019	FLUE COLLECTOR BOX 17.5", 1.75 DIA (M1)
52	4010016S	FLUE COLLECTOR BOX 21", 2.00" DIA MOD A (M3)
52	4010017S	FLUE COLLECTOR BOX 21", 2.25" DIA MOD A (M5)
62	4053501S	CHIMNEY ASSEMBLY (M1, M3, M5)

Expanded Model Nomenclature

M1 - AMV80704BXBA
M2 - AMV80704BXBB
M3 - AMV80905CXBA
M4 - AMV80905CXBB
M5 - AMV81155CXBA
M6 - AMV81155CXBB

# Heat Exchanger Assy/Flue Collector Box "BB" models

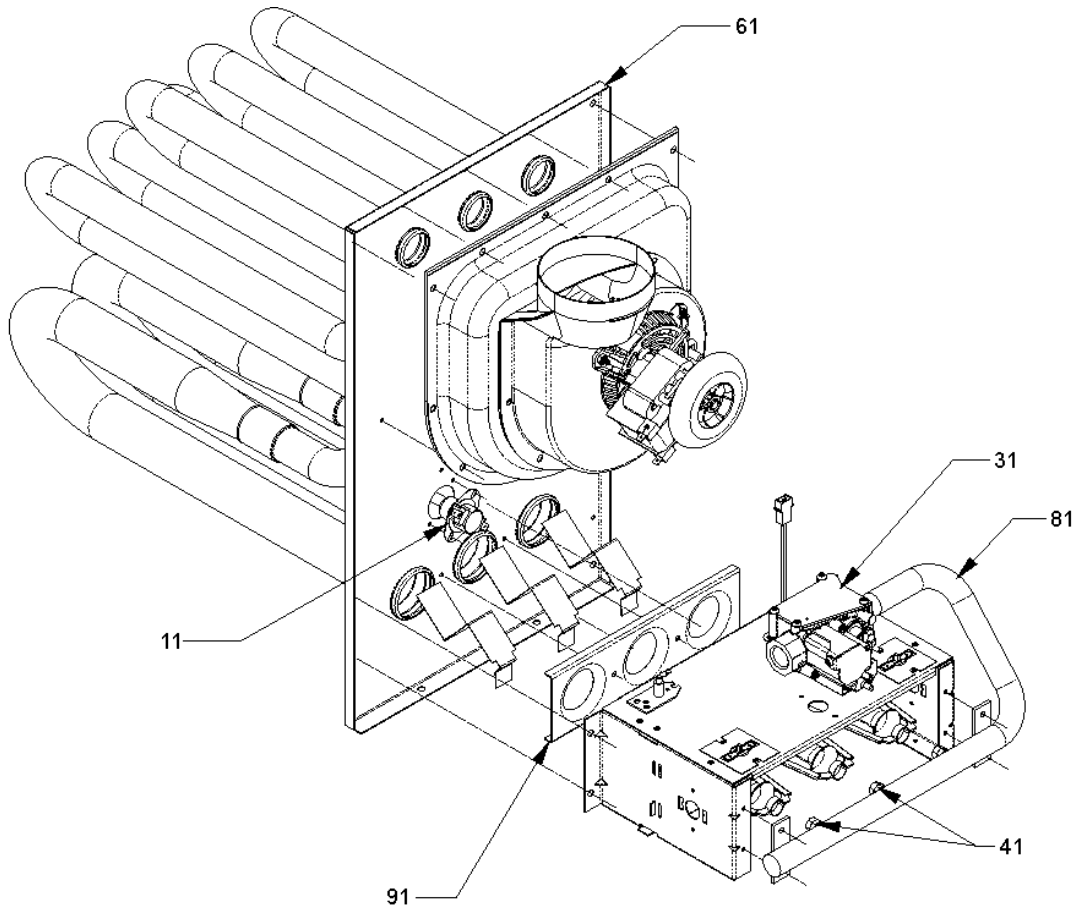
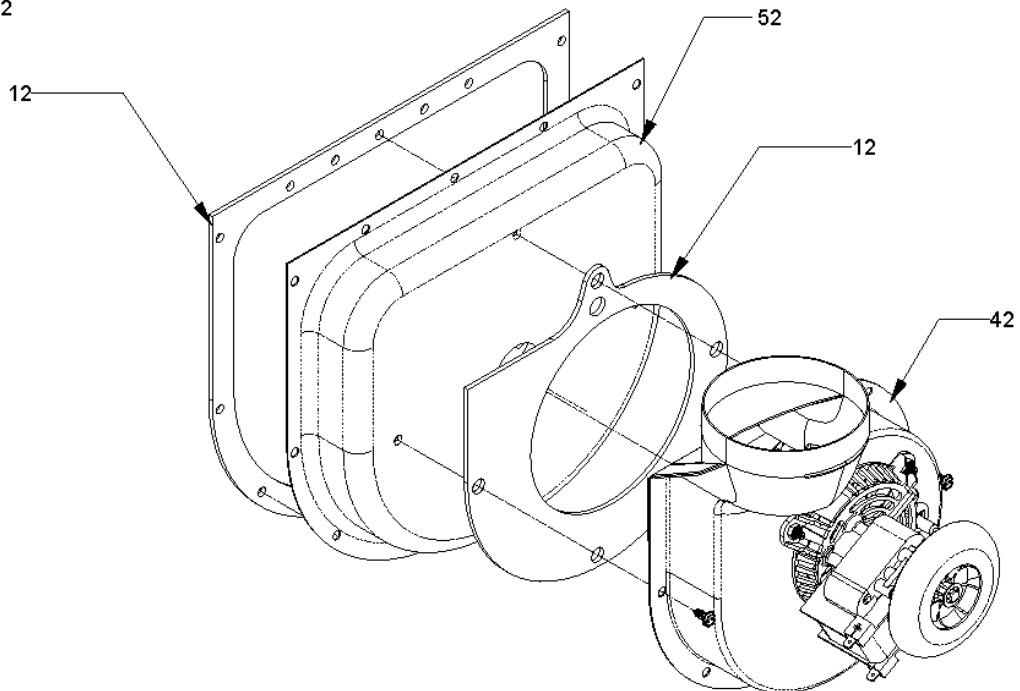


Image 1

Image 2



# Heat Exchanger Assy/Flue Collector Box "BB" models

Ref. Part No: No:	Description:	Ref. Part No: No:	Description:
-------------------	--------------	-------------------	--------------

*Image 1:*

11	B1370207	SWITCH, PRIMARY LIMIT 130°F (M6)
11	B1370198	SWITCH, PRIMARY LIMIT 150°F (M2, M4)
31	0151F00000P	GAS VALVE (M2, M4, M6)
41	B4089343	ORIFICE (M2, M4, M6)
61	4021315S	SUB-ASSY, HEAT EXCHANGER 3 CELL 17.5" (M2)
61	4021317S	SUB-ASSY, HEAT EXCHANGER 4 CELL 21" (M4)
61	4021318S	SUB-ASSY, HEAT EXCHANGER 5 CELL 21" (M6)
81	B4026006	GAS MANIFOLD, 3 CELL (M2)
81	B4026007	GAS MANIFOLD, 4 CELL (M4)
81	B4026008	GAS MANIFOLD, 5 CELL (M6)
91	4028001	ORIFICE PLATE 3 CELL (M2)
91	4028002	ORIFICE PLATE 4 CELL (M4)
91	4028003	ORIFICE PLATE 5 CELL (M6)

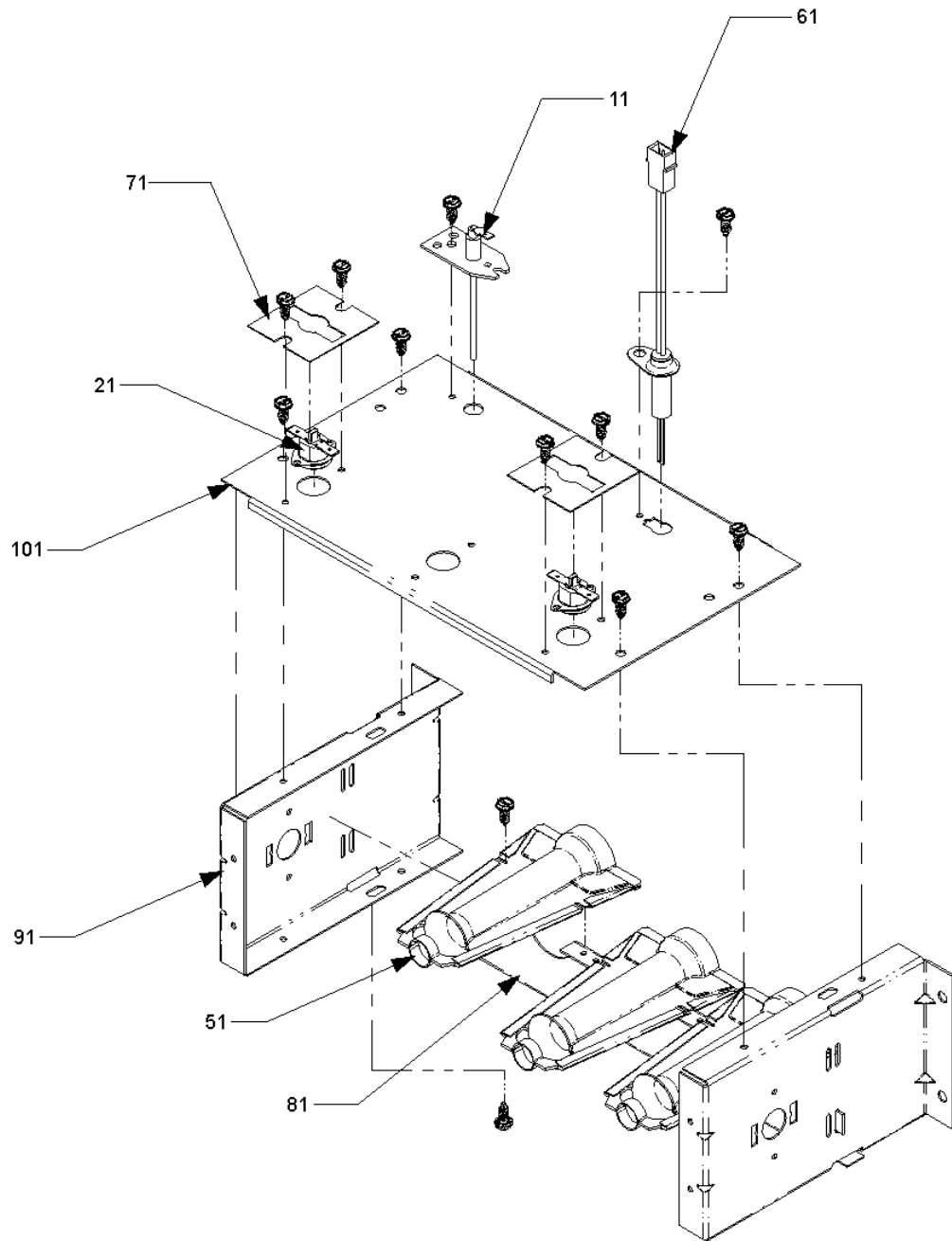
*Image 2:*

12	B1392634	GASKET, VENT MOTOR 17.5" (M2)
12	B1392635	GASKET, VENT MOTOR 21" (M4, M6)
42	0131M00047S	VENT MOTOR, 2-STAGE ROUND NOSE (M2, M4, M6)
52	4010019	FLUE COLLECTOR BOX 17.5", 1.75 DIA (M2)
52	4010016S	FLUE COLLECTOR BOX 21", 2.00" DIA MOD A (M4)
52	4010017S	FLUE COLLECTOR BOX 21", 2.25" DIA MOD A (M6)
62	4053501S	CHIMNEY ASSEMBLY

Expanded Model Nomenclature

M1 - AMV80704BXBA
M2 - AMV80704BXBB
M3 - AMV80905CXBA
M4 - AMV80905CXBB
M5 - AMV81155CXBA
M6 - AMV81155CXBB

# Burner Box



# Burner Box

Ref. Part No: No:	Description:	Ref. Part No: No:	Description:
-------------------	--------------	-------------------	--------------

Image 1:

11	0130F00010	FLAME SENSOR
21	B1370145	ROLLOUT SWITCH, 300 W/O BRACKET (QTY 2)
51	B4022700	ASSY, INSHOT BURNER 3" (QTY 3)
61	0130F00008	IGNITOR-SINI 17 SEC
81	2513501	BURNER RACK, 3 CELL (M1, M2)
81	2513502	BURNER RACK, 4 CELL (M3, M4)
81	2513503	BURNER RACK, 5 CELL (M5, M6)
91	2514000	SIDE PLATE, BURNER BOX (QTY 2)
101	4013012	TOP, BURNER BOX 4 CELL (M3, M4)
101	4013013	TOP, BURNER BOX 5 CELL (M5, M6)
101	4013011	TOP, BURNER BOX, 3CL (M1, M2)
NS	2509503	BRACKET, ROLLOUT SWITCH (QTY 2)

Expanded Model Nomenclature

M1 - AMV80704BXBA
M2 - AMV80704BXBB
M3 - AMV80905CXBA
M4 - AMV80905CXBB
M5 - AMV81155CXBA
M6 - AMV81155CXBB