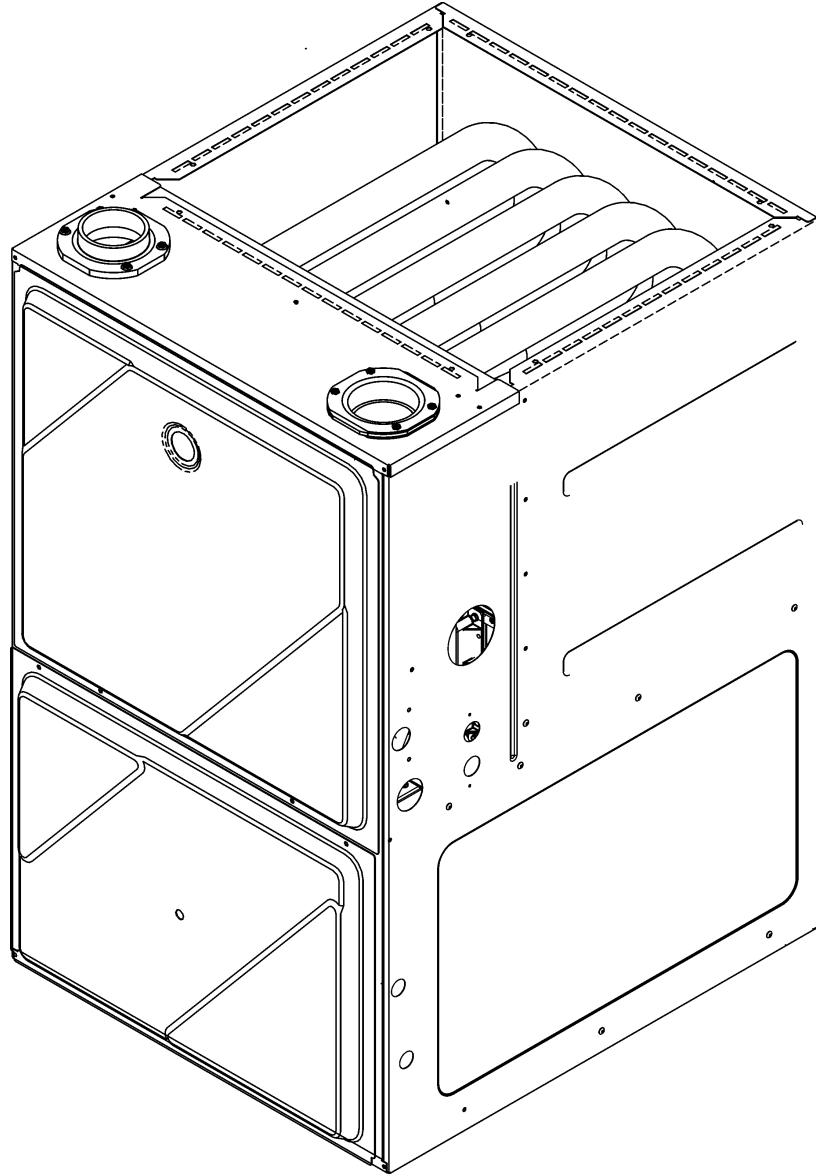


## AMSS 96% PSC Up Flow Furnace

AMSS960402BNAA  
AMSS960603BNAA  
AMSS960803BNAA  
AMSS960804CNAA  
AMSS960805CNAA  
AMSS961005CNAA  
AMSS961205DNAA



Amana® is a registered trademark of Maytag Corporation or its related companies and is used under license to Goodman Company, L.P., Houston, TX, USA. All rights reserved.

This manual is to be used by qualified technicians only.

This manual replaces RP-A2005A.

© 2014-2015 Goodman Company, L.P. ♦ 5151 San Felipe St., Suite 500 ♦ Houston, TX 77056

# Important Information

---

## Index

Functional Parts List .....	3
Illustration and Parts .....	4 - 11

*Views shown are for parts illustrations only, not servicing procedures*

Rev B: primary limit updates

### Text Codes:

AR - As Required

NA - Not Available

NS - Not Shown

00000000 - See Note

QTY - Quantity Example (QTY 3) (If Quantity not shown, Quantity = 1)

M - Model Example (M1) (If M Code not shown, then part is used on all Models)

### Expanded Model Nomenclature:

Example M1 - Model#1 M2 - Model#2 M3 - Model#3
---

Goodman Company, L.P. is not responsible for personal injury or property damage resulting from improper service. Review all service information before beginning repairs.

Warranty service must be performed by an authorized technician, using authorized factory parts. If service is required after the warranty expires, Goodman Company, L.P. also recommends contacting an authorized technician and using authorized factory parts.

Goodman Company, L.P. reserves the right to discontinue, or change at any time, specifications or designs without notice or without incurring obligations.

For assistance within the U.S.A. contact:

Consumer Affairs Department  
Goodman Company, L.P.  
7401 Security Way  
Houston, Texas 77040  
877-254-4729-Telephone  
713-863-2382-Facsimile

For assistance outside the U.S.A. contact:

International Division  
Goodman Company, L.P.  
7401 Security Way  
Houston, Texas 77040  
713-861-2500-Telephone  
713-863-2382-Facsimile

# Functional Parts

## Part

## No: Description:

20162904	*PRIMARY LIMIT-TEMPERATURE CONTROL (M3, M6, M7) *Refer to service bulletin SF-054
0130F00038	AUX LIMIT - LT BLUE 120° (QTY 2)
0163F00017	BECKETT BURNER (QTY A/R)
764741	BLOWER BLOCK-OFF 10 X 10 (M4)
764740	BLOWER BLOCK-OFF 10 X 8 (M1, M2, M3)
0271F00182	BLOWER HSG ASSY (M4)
0271F00181	BLOWER HSG ASSY (M1, M2, M3)
0271F00163	BLOWER SHELL & WHEEL ASSY (M7)
0271F00161	BLOWER SHELL & WHEEL ASSY (M5, M6)
CAP125000370LA	CAPACITOR 12.5/370V (M1, M2)
CAP150000370LA	CAPACITOR 15/370V (M5, M6, M7)
CAP200000370LA	CAPACITOR 20/370V (M3, M4)
0130F00010	FLAME SENSOR
0151M00037	GAS VAVLE
0257F00373	HEAT EXCHANGER ASSY (M1)
0257F00377	HEAT EXCHANGER ASSY (M7)
0257F00375	HEAT EXCHANGER ASSY (M2)
0257F00354	HEAT EXCHANGER ASSY. (M3)
0257F00290	HEAT EXCHANGER ASSY. (M4, M5)
0257F00291	HEAT EXCHANGER ASSY. (M6)
0130M00243	INTERLOCK SWITCH
10123538	MANUAL RESET R.O.S. LIMIT (M1, M3, M6)
10123528	MANUAL RESET R.O.S. LIMIT (M7)
0130F00123	MANUAL RESET R.O.S. LIMIT (M5)
10123539	MANUAL RESET R.O.S. LIMIT (M2, M4)
0131F00038	MOTOR, 1/2 HP (M4)
0131F00030	MOTOR, 1/2HP (M3)
0131F00027	MOTOR, 1/3HP, 4SP, 6PL (M1, M2)
0131F00031	MOTOR, 3/4 HP (M5, M6, M7)
PCBBF135	PCB, IGNITION, HSI, INTEG
0130F00476	PRESSURE SWITCH (-.1 / -.85) (M7)
0130F00477	PRESSURE SWITCH (-.1 / -1.27) (M3, M4, M5, M6)
0130F00484	PRESSURE SWITCH (-.08 / -1.49) (M1)
0130F00478	PRESSURE SWITCH (-.1 / -1.49) (M2)
20162903	PRIMARY LIMIT - BLUE (M2, M4, M5)
20162906	PRIMARY LIMIT - WHITE (M1)
0130F00008	SINI IGNITOR
0130M00140	TRANSFORMER 120V TO 24V, 40VA

### Expanded Model Nomenclature

M1 - AMSS960402BNAA
M2 - AMSS960603BNAA
M3 - AMSS960803BNAA
M4 - AMSS960804CNAA
M5 - AMSS960805CNAA
M6 - AMSS961005CNAA
M7 - AMSS961205DNAA

0161M00003P AMANA NAMEPLATE

# Cabinet

Image 1

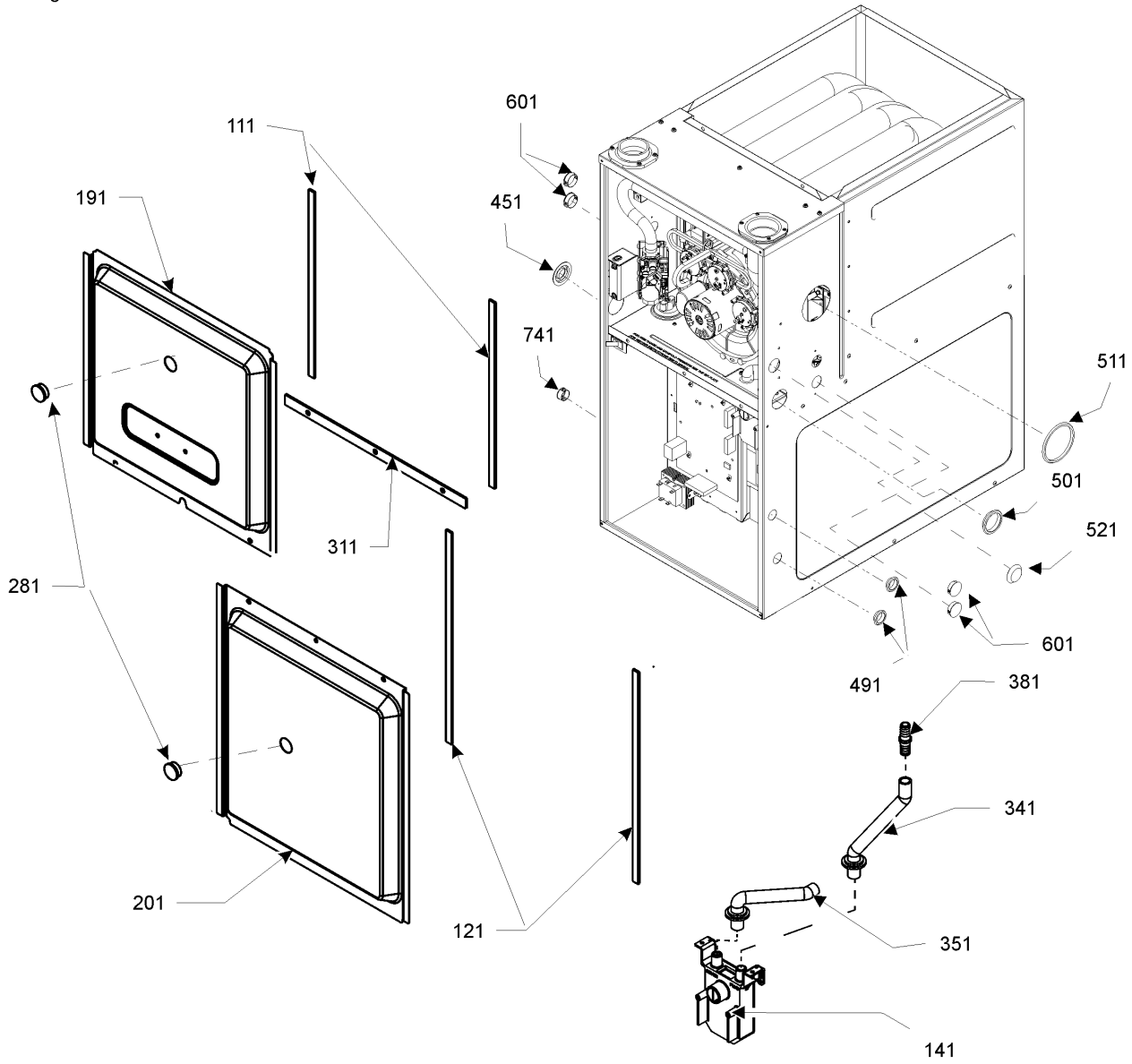
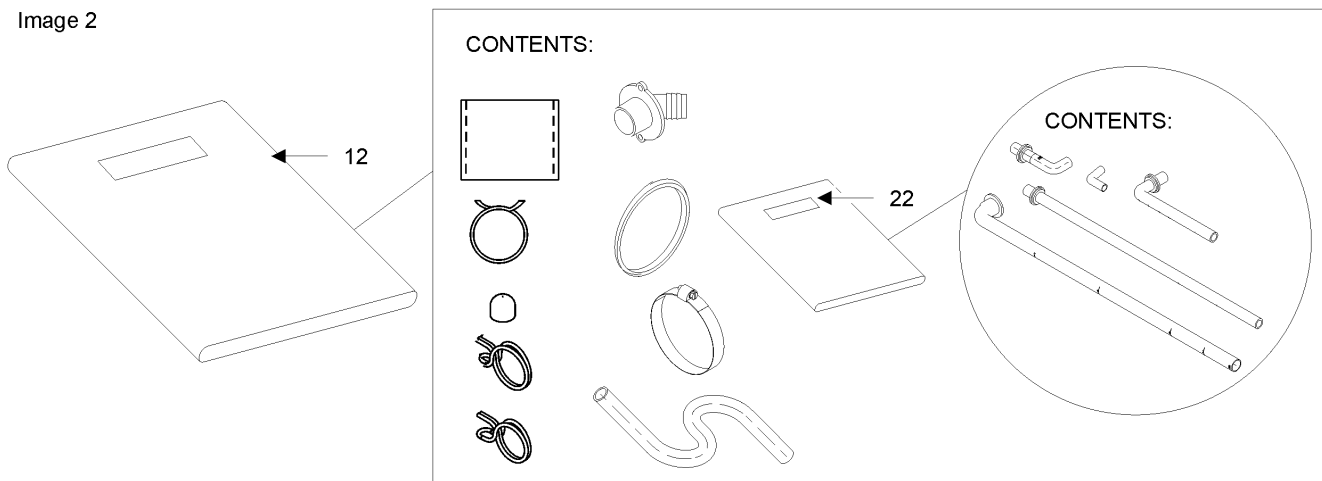


Image 2



# Cabinet

Ref. Part No: No:	Description:	Ref. Part No: No:	Description:
-------------------	--------------	-------------------	--------------

**Image 1:**

111	0154F00024	GASKET (QTY 2)
121	0154F00025	GASKET (QTY 2)
141	0161F00046	DRAIN TRAP
191	0121F00338LG	DOOR ACCESS 21" PNT (M4, M5, M6)
191	0121F00337LG	DOOR, ACCESS 17.5" PNT (M1, M2, M3)
191	0121F00339LG	DOOR, ACCESS 24.5" PNT (M7)
201	0121F00340LG	DOOR, BLOWER 17.5" PNT (M1, M2, M3)
201	0121F00341LG	DOOR, BLOWER 21" PNT (M4, M5, M6)
201	0121F00342LG	DOOR, BLOWER 24.5" PNT (M7)
281	B1392139	VIEW PORT BUSHING-BLOWER DOOR (QTY 2)
311	0154F00020	DECK GASKET (M1, M2, M3)
311	0154F00021	DECK GASKET (M4, M5, M6)
311	0154F00022	DECK GASKET (M7)
341	0164F00017	ELBOW/TRAP HOSE
351	0164F00006	COVER/TRAP HOSE
381	0161F00047	BARDED HOSE COUPLING
451	M0501301	PIPE GROMMET
491	M0570808	BUTTON PLUG (QTY 3)
501	M0570806	BUTTON PLUG
511	M0570807	BUTTON PLUG
521	0161M00027	HOLE PLUG (M1, M2, M3, M6)
601	B1392021	PLASTIC PLUG, 1" (2713-BLK) (QTY 4)
741	B1392104	UNIVERSAL BUSHING UB 875
NS	0161M00003P	AMANA NAMEPLATE
NS	M0310345	BUTTON PLUG (QTY 2)
NS	M0209730	DECORATIVE SCREW (QTY 3)
NS	0163M00049	HOSE CLAMP (QTY 3)

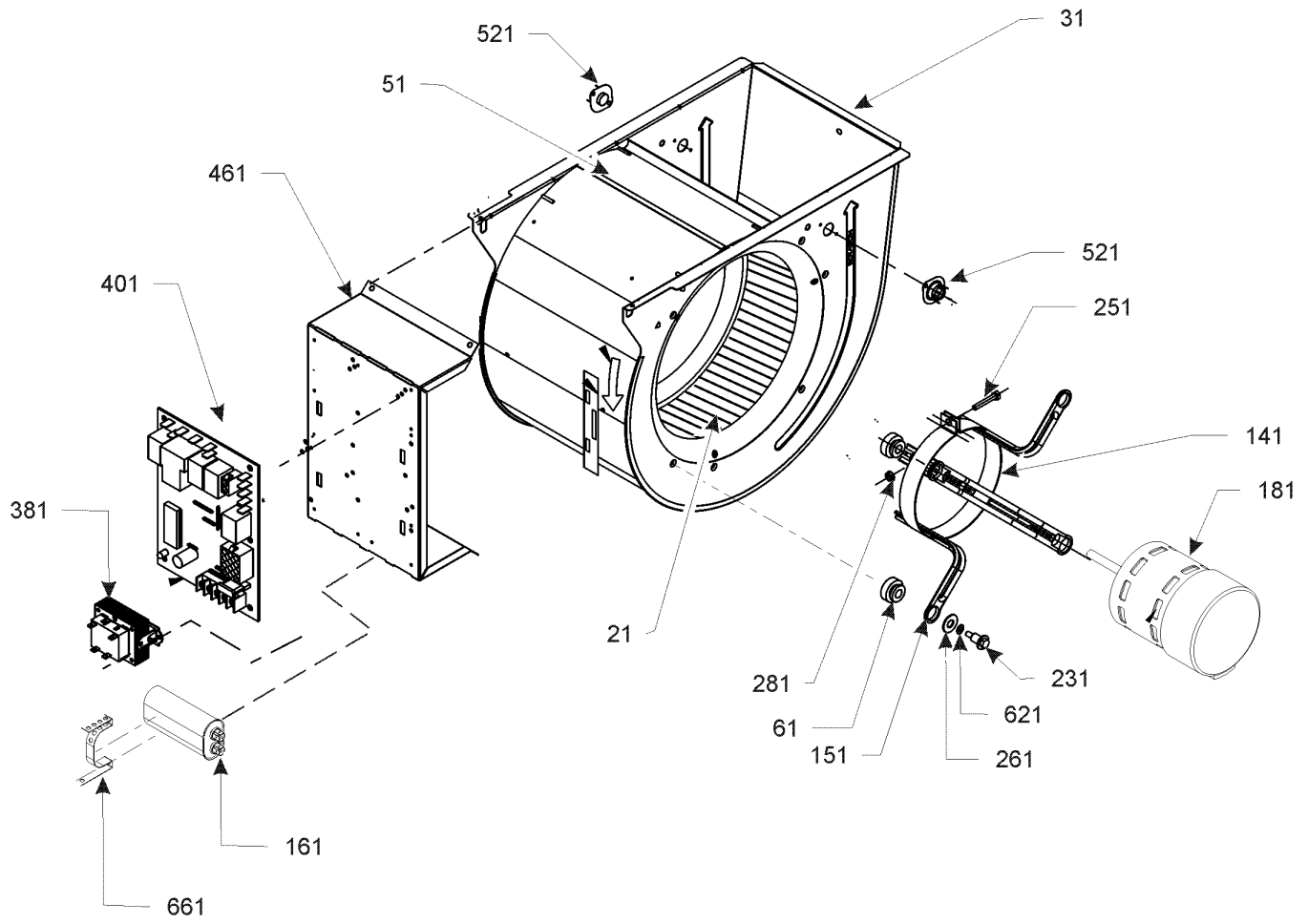
**Image 2:**

12	0270F03140	DRAIN PART BAG ASSY UF
22	0270F03138	BAG ASSY UF

**Expanded Model Nomenclature**

- |                     |
|---------------------|
| M1 - AMSS960402BNAA |
| M2 - AMSS960603BNAA |
| M3 - AMSS960803BNAA |
| M4 - AMSS960804CNAA |
| M5 - AMSS960805CNAA |
| M6 - AMSS961005CNAA |
| M7 - AMSS961205DNAA |

# Blower Assembly



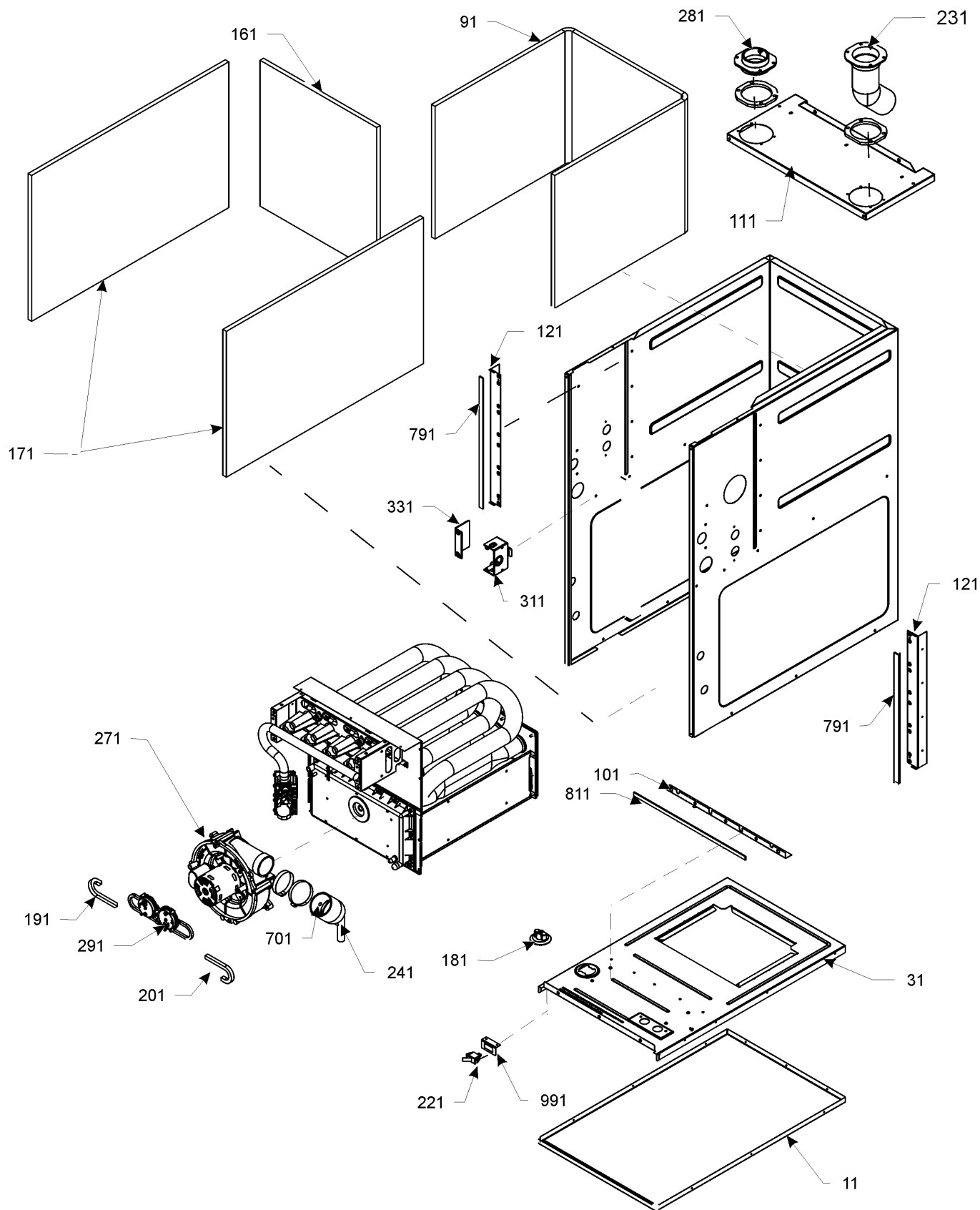
# Blower Assembly

Ref. Part No: No:	Description:	Ref. Part No: No:	Description:
<b>Image 1:</b>			
21	0150M00042		WHEEL, BLOWER (10 X 10) (M4)
21	0150M00043		WHEEL, BLOWER (10 X 8) (M1, M2, M3)
31	0271F00181		BLOWER HSG ASSY (M1, M2, M3)
31	0271F00182		BLOWER HSG ASSY (M4)
31	0271F00161		BLOWER SHELL & WHEEL ASSY (M5, M6)
31	0271F00163		BLOWER SHELL & WHEEL ASSY (M7)
51	764741		BLOWER BLOCK-OFF 10 X 10 (M4)
51	764740		BLOWER BLOCK-OFF 10 X 8 (M1, M2, M3)
61	A4002702		BLOWER MOTOR GROMMET (M5, M6, M7)
141	10441601		MOTOR MOUNT BAND (M5, M6, M7)
151	10441501		MOTOR MOUNT ARM (M5, M6, M7)
161	CAP125000370LA		CAPACITOR 12.5/370V (M1, M2)
161	CAP150000370LA		CAPACITOR 15/370V (M5, M6, M7)
161	CAP200000370LA		CAPACITOR 20/370V (M3, M4)
181	0131F00038		MOTOR, 1/2 HP (M4)
181	0131F00030		MOTOR, 1/2HP (M3)
181	0131F00027		MOTOR, 1/3HP, 4SP, 6PL (M1, M2)
181	0131F00031		MOTOR, 3/4 HP (M5, M6, M7)
231	M0221461		TC SCREW (M5, M6, M7)
231	M0250558		TC SCREW (M1, M2, M3, M4)
251	M0267144		MACHINE SCREW (M5, M6, M7)
261	M0274008		FLAT WASHER (M5, M6, M7)
281	M0282015		KEPS NUT (M5, M6, M7)
381	0130M00140		TRANSFORMER 120V TO 24V, 40VA
401	PCBBF135		PCB, IGNITION, HSI, INTEG
461	0121F00464		CONTROL MOUNTING PLATE
521	0130F00038		AUX LIMIT - LT BLUE 120° (QTY 2)
621	B1392820		SLIT LOCK WASHER (M5, M6, M7)
661	20520901		CAPACITOR STRAP
NS	B1392021		1" PLASTIC PLUG (QTY 4)
NS	0259F00024		HARNESS - BLOWER

## Expanded Model Nomenclature

- |                     |
|---------------------|
| M1 - AMSS960402BNAA |
| M2 - AMSS960603BNAA |
| M3 - AMSS960803BNAA |
| M4 - AMSS960804CNAA |
| M5 - AMSS960805CNAA |
| M6 - AMSS961005CNAA |
| M7 - AMSS961205DNAA |

# Chassis



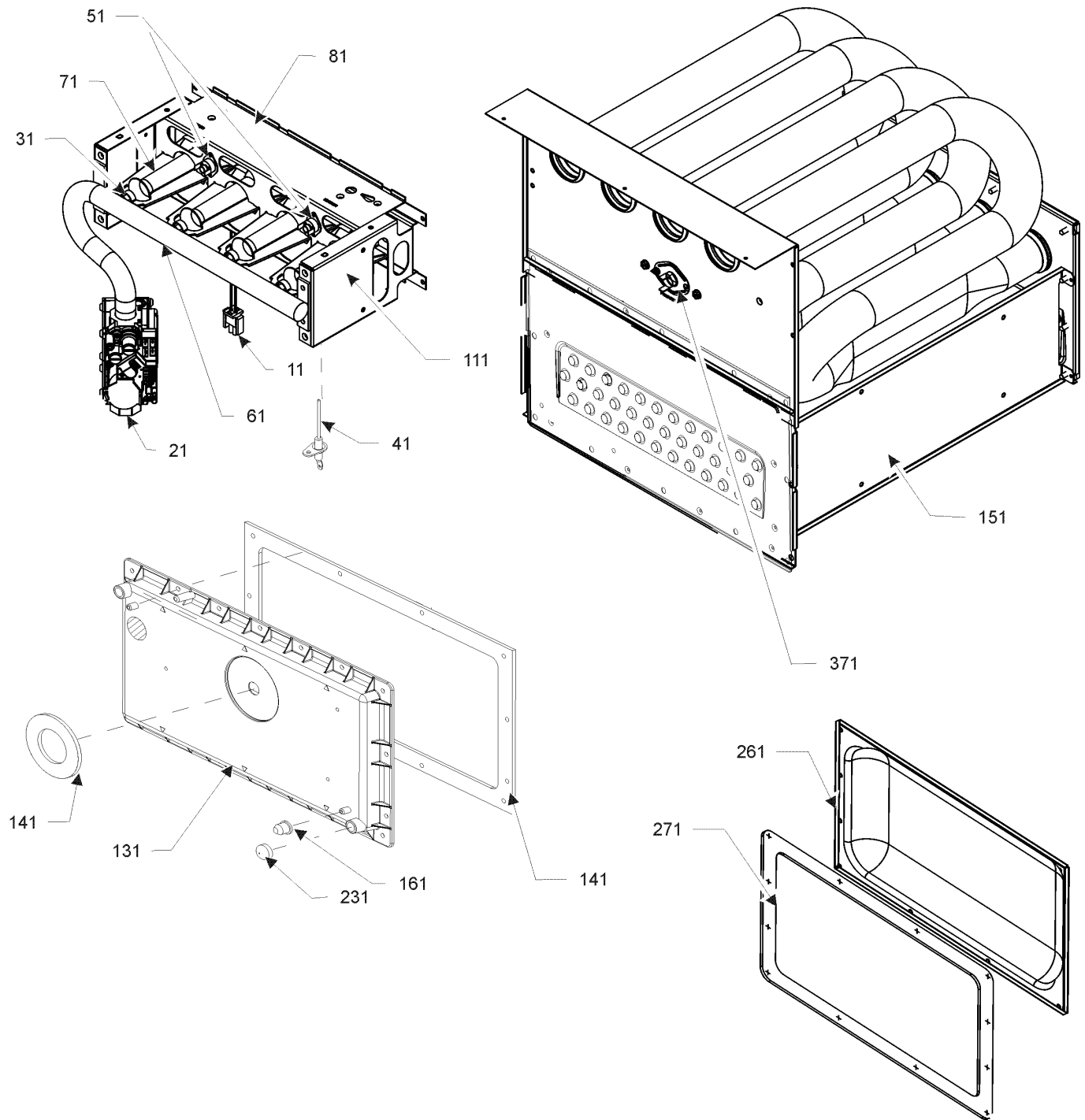
# Chassis

Ref. Part No: No:	Description:	Ref. Part No: No:	Description:
<b>Image 1:</b>			
11	0121F00386DG		BASEPAN, UPFLOW PNT (M1, M2, M3)
11	0121F00387DG		BASEPAN, UPFLOW PNT (M4, M5, M6)
11	0121F00388DG		BASEPAN, UPFLOW PNT (M7)
31	0121F00285		DECK, BLOWER 17.5 (M1, M2, M3)
31	0121F00286		DECK, BLOWER 21 (M4, M5, M6)
31	0121F00287		DECK, BLOWER 24.5 (M7)
91	0160F00015		INSULATION, HT EXCHANGER 17.5" (M1, M2, M3)
91	0160F00016		INSULATION, HT EXCHANGER 21" (M4, M5, M6)
91	0160F00017		INSULATION, HT EXCHANGER 24.5" (M7)
101	0121F00314		ANGLE, DECK (M1, M2, M3)
101	0121F00315		ANGLE, DECK (M4, M5, M6)
101	0121F00316		ANGLE, DECK (M7)
111	0121F00279DG		PAINTED TOP, FURNACE 17.5 (M1, M2, M3)
111	0121F00280DG		PAINTED TOP, FURNACE 21 (M4, M5, M6)
111	0121F00281DG		PAINTED TOP, FURNACE 24.5 (M7)
121	0121F00313		SIDE ANGLE (QTY 2)
161	0160F00012		INSULATION-BACK 17.5" (M1, M2, M3)
161	0160F00013		INSULATION-BACK 21" (M4, M5, M6)
161	0160F00014		INSULATION-BACK 24.5" (M7)
171	0160F00018		INSULATION, SIDE (QTY 2)
181	0159F00042		HARNESS, WIRING (M1, M2, M3)
181	0159F00043		HARNESS, WIRING (M4, M5, M6, M7)
191	0164M00002		PRESSURE SWITCH HOSE
201	0164M00008		PRESSURE SWITCH HOSE
221	0130M00243		INTERLOCK SWITCH
231	0164F00002		FLUE PIPE W/BEND
241	0164F00001		ELBOW-FLUE, UPFLOW
271	0171M00001		MOTOR-ID, BLOWER
281	0161F00037		COUPLING
291	0130F00476		PRESSURE SWITCH (-.1 / -.85) (M7)
291	0130F00477		PRESSURE SWITCH (-.1 / -1.27) (M3, M4, M5, M6)
291	0130F00484		PRESSURE SWITCH (-.08 / -1.49) (M1)
291	0130F00478		PRESSURE SWITCH (-.1 / -1.49) (M2)
311	0161F00042		JUNCTION BOX
331	0161F00043		JUNCTION BOX LID
701	M0326804		TUBE PLUG
791	0154F00015		GASKET (QTY 2)
811	0154F00014		GASKET (M1, M2, M3)
811	0154F00016		GASKET (M4, M5, M6)
811	20194607		GASKET (M7)
991	0121F00389		BRACKET, DOOR SWITCH

## Expanded Model Nomenclature

M1 - AMSS960402BNAA
M2 - AMSS960603BNAA
M3 - AMSS960803BNAA
M4 - AMSS960804CNAA
M5 - AMSS960805CNAA
M6 - AMSS961005CNAA
M7 - AMSS961205DNAA

# Heat Exchanger / Manifold / Gas Valve



# Heat Exchanger / Manifold / Gas Valve

Ref. Part No: No:	Description:	Ref. Part No: No:	Description:
<b>Image 1:</b>		<b>Expanded Model Nomenclature</b>	
11	0130F00008	SINI IGNITOR	M1 - AMSS960402BNAA
21	0151M00037	GAS VAVLE	M2 - AMSS960603BNAA
31	0163F00004	ORIFICE (QTY A/R)	M3 - AMSS960803BNAA
41	0130F00010	FLAME SENSOR	M4 - AMSS960804CNAA
51	0130F00123	MANUAL RESET R.O.S. LIMIT (M5)	M5 - AMSS960805CNAA
51	10123528	MANUAL RESET R.O.S. LIMIT (M7)	M6 - AMSS961005CNAA
51	10123538	MANUAL RESET R.O.S. LIMIT (M1, M3, M6)	M7 - AMSS961205DNAA
51	10123539	MANUAL RESET R.O.S. LIMIT (M2, M4)	
61	0163F00007	MANIFOLD (M1)	
61	0163F00008	MANIFOLD (M2)	
61	0163F00009	MANIFOLD (M4, M5)	
61	0163F00010	MANIFOLD (M6)	
61	0163F00011	MANIFOLD (M7)	
61	0163F00014	MANIFOLD (M3)	
71	0163F00017	BECKETT BURNER (QTY A/R)	
81	0121F00456	BRACKET-BURNER 2 (M1)	
81	0121F00455	BRACKET-BURNER 3 (M2)	
81	0121F00454	BRACKET-BURNER 4 (M3, M4, M5)	
81	0121F00453	BRACKET-BURNER 5 (M6)	
81	0121F00451	BRACKET-BURNER 6 (M7)	
111	0121F00469	ORIFICE BRACKET-BURNER 2 (M1)	
111	0121F00468	ORIFICE BRACKET-BURNER 3 (M2)	
111	0121F00467	ORIFICE BRACKET-BURNER 4 (M3, M4, M5)	
111	0121F00466	ORIFICE BRACKET-BURNER 5 (M6)	
111	0121F00465	ORIFICE BRACKET-BURNER 6 (M7)	
131	0161F00015	FRONT COVER (M1)	
131	0161F00024	FRONT COVER (M3)	
131	0161F00026	FRONT COVER (M6)	
131	0161F00030	FRONT COVER (M4, M5)	
131	0161F00054	FRONT COVER (M2)	
131	0161F00066	FRONT COVER (M7)	
141	0154F00011	FRONT GASKET (M1, M2, M3)	
141	0154F00012	FRONT GASKET (M4, M5, M6)	
141	0154F00013	FRONT GASKET (M7)	
151	0257F00373	HEAT EXCHANGER ASSY (M1)	
151	0257F00375	HEAT EXCHANGER ASSY (M2)	
151	0257F00377	HEAT EXCHANGER ASSY (M7)	
151	0257F00290	HEAT EXCHANGER ASSY. (M4, M5)	
151	0257F00291	HEAT EXCHANGER ASSY. (M6)	
151	0257F00354	HEAT EXCHANGER ASSY. (M3)	
161	M0326804	TUBE PLUG	
231	A1781105	CAP-VINYL .500	
261	0121F00317	REAR COVER (M1, M2, M3)	
261	0121F00318	REAR COVER (M4, M5, M6)	
261	0121F00319	REAR COVER (M7)	
271	0154F00037	REAR COVER GASKET (M1, M2, M3)	
271	0154F00038	REAR COVER GASKET (M4, M5, M6)	
271	0154F00039	REAR COVER GASKET (M7)	
371	20162904	*PRIMARY LIMIT-TEMPERATURE CONTROL (M3, M6, M7)	
		*Refer to service bulletin SF-054	
371	20162903	PRIMARY LIMIT - BLUE (M2, M4, M5)	
371	20162906	PRIMARY LIMIT - WHITE (M1)	
NS	0121F00439	PRIMARY LIMIT-HEAT SHIELD	
NS	0121F00355	SHIELD, COIL (QTY 2)	