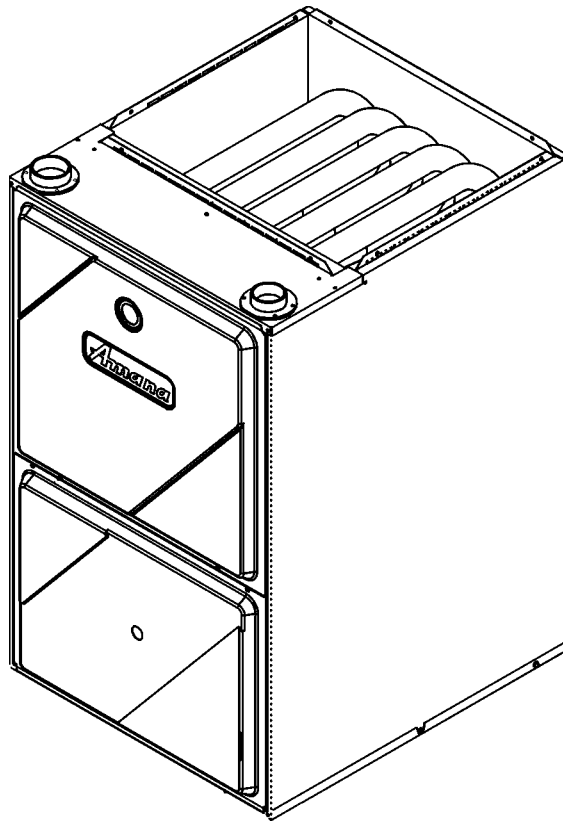


AMS95 Gas-Fired Warm Air Furnace

AMS950453BXA
AMS950703BXA
AMS950704CXA
AMS950904CXA
AMS950905DXA
AMS951155DXA



RP6612010
Revision 0
January 2006

Important Information

Index

Functional Parts List	3
Illustration and Parts	4 - 13

Views shown are for parts illustrations only, not servicing procedures

Text Codes:

AR - As Required

NA - Not Available

NS - Not Shown

00000000 - See Note

QTY - Quantity Example (QTY 3) (If Quantity not shown, Quantity = 1)

M - Model Example (M1) (If M Code not shown, then part is used on all Models)

Expanded Model Nomenclature:

Example

M1 - Model#1

M2 - Model#2

M3 - Model#3

Goodman Company, L.P. is not responsible for personal injury or property damage resulting from improper service. Review all service information before beginning repairs.

Warranty service must be performed by an authorized technician, using authorized factory parts. If service is required after the warranty expires, Goodman Company, L.P. also recommends contacting an authorized technician and using authorized factory parts.

Goodman Company, L.P. reserves the right to discontinue, or change at any time, specifications or designs without notice or without incurring obligations. Amana® brand products are proudly made in the USA.

For assistance within the U.S.A. contact:

Consumer Affairs Department

Goodman Company, L.P.

7401 Security Way

Houston, Texas 77040

877-254-4729-Telephone

713-863-2382-Facsimile

For assistance outside the U.S.A. contact:

International Division

Goodman Company, L.P.

7401 Security Way

Houston, Texas 77040

713-861-2500-Telephone

713-863-2382-Facsimile

Functional Parts

Part No:

Description:

22307501S	BLOWER, ID
10735102	BURNER, BECKETT (QTY AR)
B945672	CAPACITOR, 12.5/370 (M1, M2)
B945653	CAPACITOR, 15/370 (M5, M6)
B945665	CAPACITOR, 20/370 (M3, M4)
0257F00026P	HEAT EXHANGER, 2B (M1)
0257F00048P	HEAT EXHANGER, 3B (M2)
0257F00055	HEAT EXHANGER, 3B (M3)
20317359	HEAT EXHANGER, 4B (M5)
0257F00049P	HEAT EXHANGER, 4B (M4)
20317360	HEAT EXHANGER, 5B (M6)
22323706S	HOSE-PRESSURE SW 12" SQUARE
22323711S	HOSE-PRESSURE SW 22" SQUARE (M1, M2)
22323713S	HOSE-PRESSURE SW 26" SQUARE (M3, M4)
22323714S	HOSE-PRESSURE SW 28" SQUARE (M5, M6)
11111701	IGNITOR, SINI
20162904	LIMIT OPENS 150° CLOSES 110° (M1, M4)
20162903	LIMIT OPENS 160° CLOSES 120° (M2, M3, M5)
20162906	LIMIT OPENS 170° CLOSES 130° (M6)
10123535	LIMIT, MANUAL RESET 150° (M1, M2, M3, M4, M5)
10123519	LIMIT, MANUAL RESET 160° (M6)
10123533	LIMIT, MANUAL RESET 200°
20196401	MANIFOLD, 2B (M1)
20196402	MANIFOLD, 3B (M2, M3)
20196403	MANIFOLD, 4B (M4, M5)
20196404	MANIFOLD, 5B (M6)
B1340024	MOTOR, 1/2 HP, 1130 RPM, 4 SPD (M3, M4)
B1340025	MOTOR, 1/3 HP, 1075 RPM, 4 SPD (M1, M2)
10759415	MOTOR, 3/4 HP, 1075 RPM, 4 SPD (M5, M6)
10716003	ORIFICE (QTY AR)
204888501	SENSOR, FLAME
20197312	SWITCH, PRESSURE (M1, M2, M3, M5)
20197310	SWITCH, PRESSURE (M4, M6)
0130F00000P	SWITCH, PRESSURE, ID BLOWER (M1, M3, M5, M6)
0130F00001P	SWITCH, PRESSURE, ID BLOWER (M4)
0130F00002P	SWITCH, PRESSURE, ID BLOWER (M2)
B1141605	TRANSFORMER (M1, M2, M3, M4)
B1282628	VALVE, GAS
B1368047S	WHEEL, BLOWER, 10 X 10 (M3, M4)
B1368058	WHEEL, BLOWER, 10 X 8 (M1, M2)
D6723311S	WHEEL, BLOWER, 11 X 10 (M5, M6)

IO-276	INSTALLATION INSTRUCTIONS
B1610638	PAINT, POWDER, LT. GRAY
10195517Q	STANDPIPE BAG, ASSY

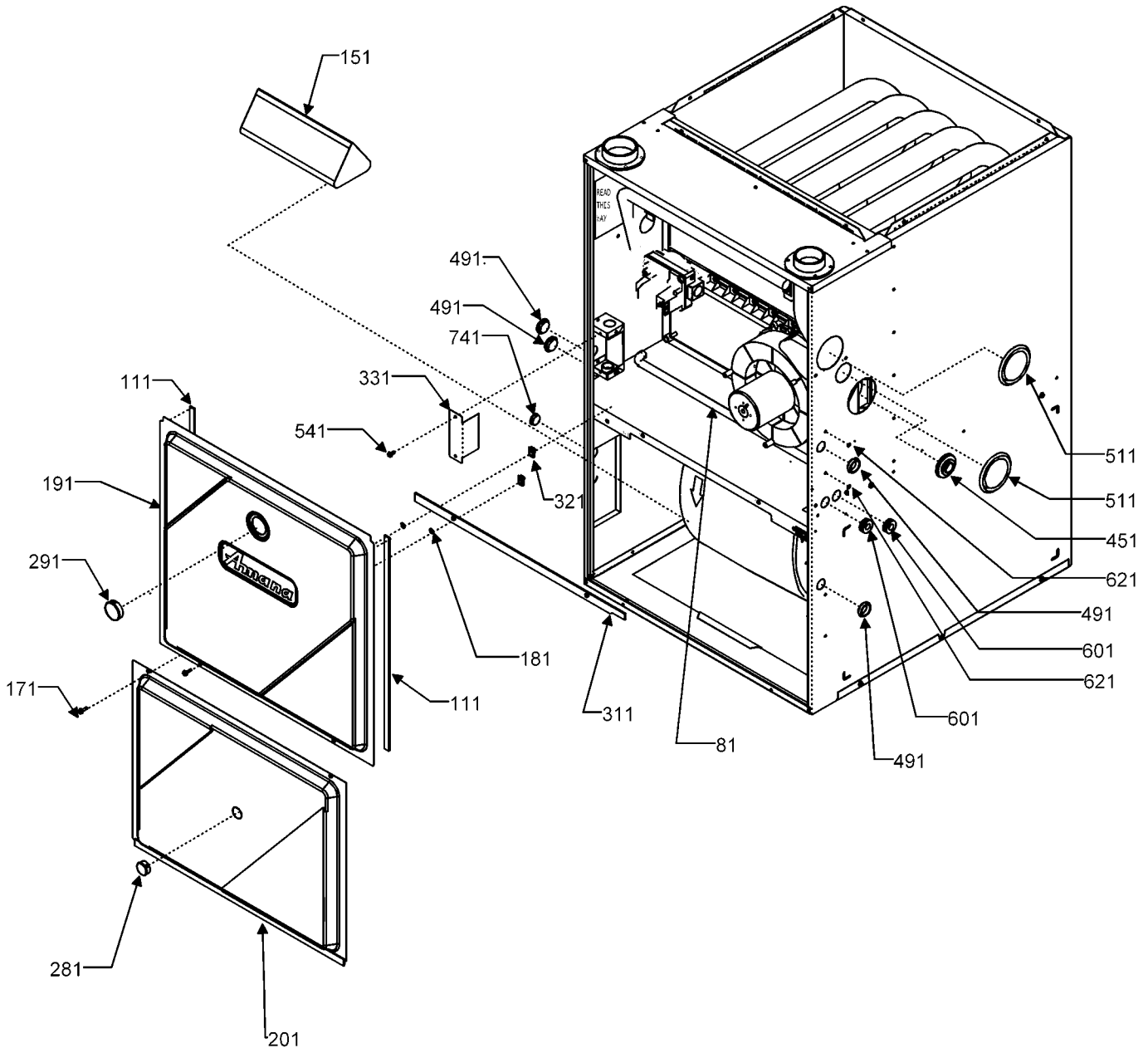
Expanded Model Nomenclature

M1 - AMS950453BXA
M2 - AMS950703BXA
M3 - AMS950704CXA
M4 - AMS950904CXA
M5 - AMS950905DXA
M6 - AMS951155DXA

SPECIAL PARTS

B2810816	2" MESH INSERT
B2810814	3" MESH INSERT
HI-115	HOMEOWNER INSTRUCTIONS

Cabinet



Cabinet

Ref. Part No: No:	Description:	Ref. Part No: No:	Description:
<i>Image 1:</i>			
81	20201902		HOSE, DRAIN 23"
111	20179308		GASKET (QTY 2)
151	10195517Q		STANDPIPE BAG, ASSY
171	M0204317		SCREW, MECH (QTY 4)
181	M0273904		SCREW, RETAINER (QTY 4)
191	20273108		DOOR, ACCESS, PNT (M1, M2)
191	20273110		DOOR, ACCESS, PNT (M3, M4)
191	20273112		DOOR, ACCESS, PNT (M5, M6)
201	20177308		DOOR, BLOWER, PNT (M1, M2)
201	20177310		DOOR, BLOWER, PNT (M3, M4)
201	20177312		DOOR, BLOWER, PNT (M5, M6)
281	B1392139		BUSHING, VIEW PORT, CLEAR, BLOWER
291	11104002		BUSHING, VIEW PORT, CLEAR, ACCESS
311	22310002		GASKET, DECK (M3, M4)
311	22320001		GASKET, DECK (M1, M2)
311	22320003		GASKET, DECK (M5, M6)
321	91000301		NUT, U-SPEED (QTY 4)
331	10736201		COVER, HIGH VOLTAGE BOX FURNACE
451	M0501301		GROMMET, PIPE
491	M0570808		PLUG, BUTTON (QTY 4)
511	M0570807		PLUG, BUTTON (QTY 2)
541	M0216716		SCREW, SM (QTY 4)
601	A4691701		GROMMET (QTY 2)
621	M0310345		BUTTON, PLUG (QTY 2)
741	B1392104		BUSHING, SNAP (QTY 2)

Expanded Model Nomenclature

M1 - AMS950453BXA
M2 - AMS950703BXA
M3 - AMS950704CXA
M4 - AMS950904CXA
M5 - AMS950905DXA
M6 - AMS951155DXA

Blower Assembly

Image 1

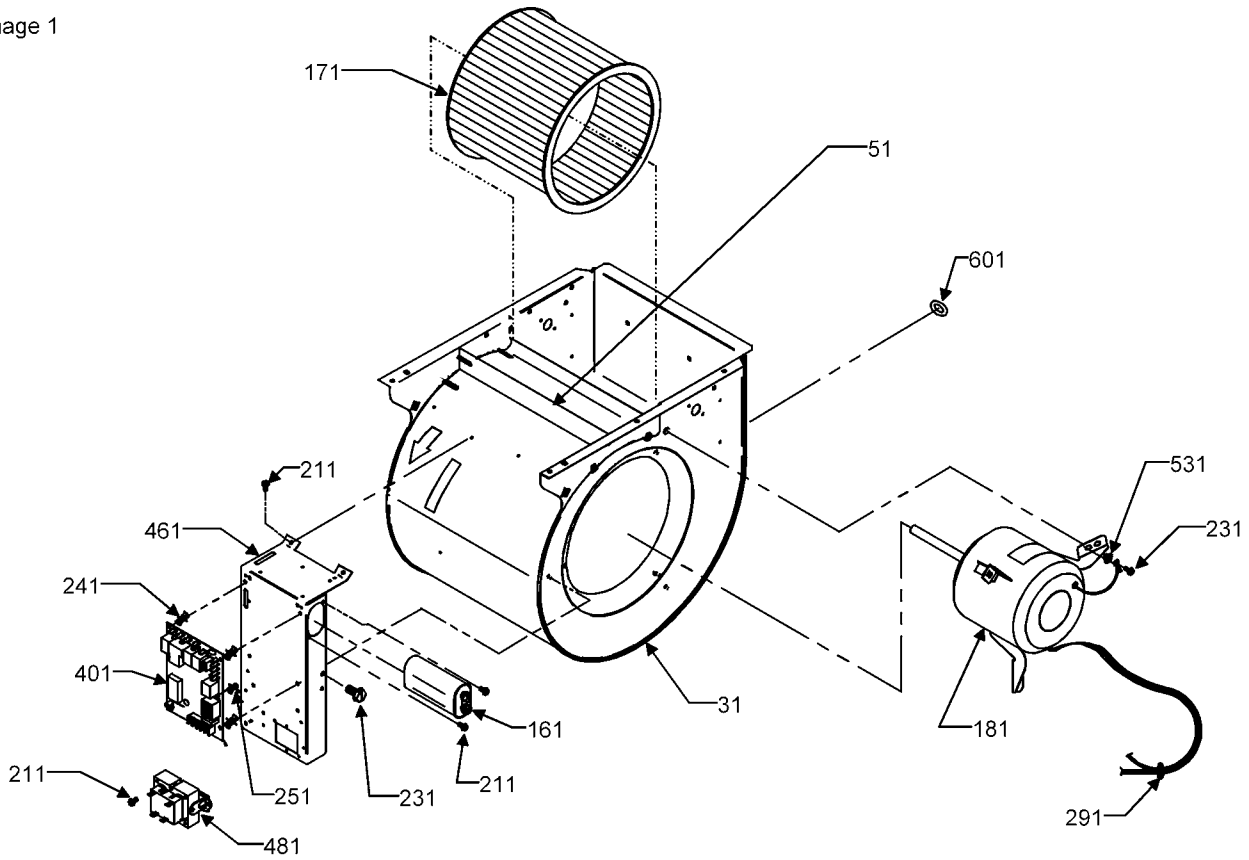
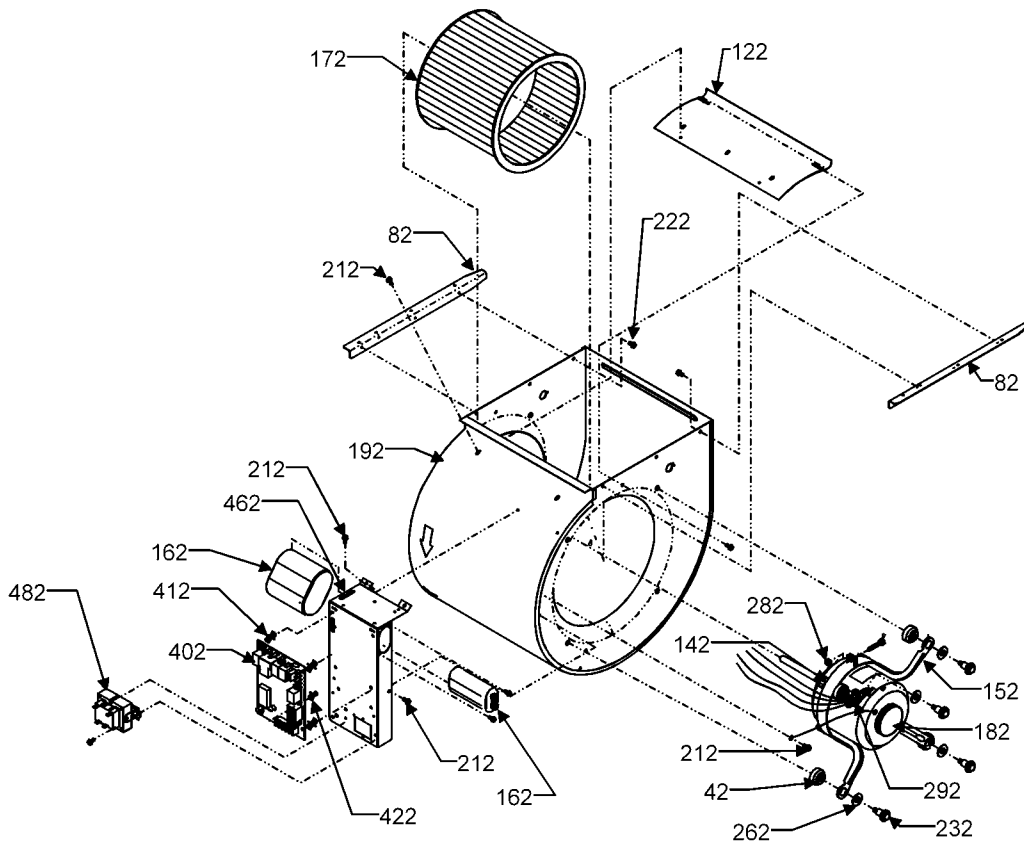


Image 2



Blower Assembly

Ref. Part No: No:	Description:	Ref. Part No: No:	Description:
-------------------	--------------	-------------------	--------------

Image 1:

31	0271F00003P	BLOWER, HOUSING, 10 X 10 (M3, M4)
31	0271F00000P	BLOWER, HOUSING, 10 X 8 (M1, M2)
51	764740F	BLOWER, BLOCK-OFF (M1, M2)
51	764741F	BLOWER, BLOCK-OFF (M3, M4)
161	B945672	CAPACITOR, 12.5/370 (M1, M2)
161	B945665	CAPACITOR, 20/370 (M3, M4)
171	B1368047S	WHEEL, BLOWER, 10 X 10 (M3, M4)
171	B1368058	WHEEL, BLOWER, 10 X 8 (M1, M2)
181	B1340024	MOTOR, 1/2 HP, 1130 RPM, 4 SPD (M3, M4)
181	B1340025	MOTOR, 1/3 HP, 1075 RPM, 4 SPD (M1, M2)
211	M0219916S	SCREW, SM (M1, M2, M3, M4)
231	M0250558	SCREW, TC (M1, M2, M3, M4)
241	B1393802	SUPPORT, 2-WING, BOARD (M1, M2, M3, M4)
251	B1393803	SUPPORT, SINGLE-WING (M1, M2, M3, M4)
291	M0321202	TIE, ELEC, LRG (M1, M2, M3, M4)
401	10207720S	CONTROL, INTEGRATED (M1, M2, M3, M4)
461	0121F00025P	BRACKET, CONTROL (M1, M2, M3, M4)
481	B1141605	TRANSFORMER (M1, M2, M3, M4)
531	B1392143	GROMMET (M1, M2, M3, M4)
601	B1392021	PLUG, PLASTIC (M1, M2, M3, M4)

Expanded Model Nomenclature

M1 - AMS950453BXA
M2 - AMS950703BXA
M3 - AMS950704CXA
M4 - AMS950904CXA
M5 - AMS950905DXA
M6 - AMS951155DXA

Image 2:

42	A4002701	GROMMET (M5, M6)
82	20175101	RAIL, BLOWER-SIDE (M5, M6)
122	C6121807	CUT-OFF (M5, M6)
142	10441601	BAND, MOTOR MOUNT (M5, M6)
152	10441501	ARM, MOTOR MOUNT (M5, M6)
162	B945653	CAPACITOR, 15/370 (M5, M6)
172	D6723311S	WHEEL, BLOWER, 11 X 10 (M5, M6)
182	10759415	MOTOR, 3/4 HP, 1075 RPM, 4 SPD (M5, M6)
192	11185807	BLOWER, HOUSING, 11 X 10 (M5, M6)
212	M0219916S	SCREW, SM (M5, M6)
222	M0253516	SCREW, TR (M5, M6)
232	M0221461	SCREW, TC (M5, M6)
262	M0274008	WASHER, FLAT (M5, M6)
282	M0282015	NUT, KEEPS (M5, M6)
292	M0321202	TIE, ELEC, LRG (M5, M6)
402	10207720S	CONTROL, INTEGRATED (M5, M6)
412	B1393802	SUPPORT, 2-WING, BOARD (M5, M6)
422	B1393803	SUPPORT, SINGLE-WING (M5, M6)
462	10746207	BRACKET, CONTROL (M5, M6)
482	B1141605	TRANSFORMER (M5, M6)

Chassis

Ref. Part No:	No:	Description:	Ref. Part No:	No:	Description:
<i>Image 1:</i>			611	A3326002	CLAMP, HOSE (QTY 2)
11	20273407	BASEPAN (M1, M2)	701	B9139949	PLUG, PLASTIC
11	20273409	BASEPAN (M3, M4)	741	B1392104	BUSHING, SNAP (QTY 2)
11	20273411	BASEPAN (M5, M6)	781	M0227803	SCREW, TC
31	0121F00014P	DECK, BLOWER (M1, M2)	791	20194608	GASKET (QTY 2)
31	0121F00015P	DECK, BLOWER (M3, M4)	811	20194605	GASKET (M1, M2)
31	20190227	DECK, BLOWER (M5, M6)	811	20194606	GASKET (M3, M4)
41	0154F00000P	GASKET (M1, M2)	811	20194607	GASKET (M5, M6)
41	0154F00001P	GASKET (M3, M4)	NS	20193001	BAFFLE, AIR (M1, M3, M5)
41	0154F00002P	GASKET (M5, M6)	<i>Image 2:</i>		
81	20273208	PANEL, BACK (M1, M2)	352	10861101	BRACKET, AUX LIMIT
81	20273210	PANEL, BACK (M3, M4)	522	10123535	LIMIT, MANUAL RESET 150° (M1, M2, M3, M4, M5)
81	20273212	PANEL, BACK (M5, M6)	522	10123519	LIMIT, MANUAL RESET 160° (M6)
91	C6415909	INSULATION, HEAT EXCHANGER (M5, M6)	Expanded Model Nomenclature		
91	C6415910	INSULATION, HEAT EXCHANGER (M1, M2)	M1 - AMS950453BXA		
91	C6415911	INSULATION, HEAT EXCHANGER (M3, M4)	M2 - AMS950703BXA		
101	0121F00018P	RAIL, DECK (M1, M2)	M3 - AMS950704CXA		
101	0121F00019P	RAIL, DECK (M3, M4)	M4 - AMS950904CXA		
101	20191303	RAIL, DECK (M5, M6)	M5 - AMS950905DXA		
111	0270F00100P	TOP, COVER ASSEMBLY (M1, M2)	M6 - AMS951155DXA		
111	0270F00101P	TOP, COVER ASSEMBLY (M3, M4)			
111	0270F00102P	TOP, COVER ASSEMBLY (M5, M6)			
121	20191602	RAIL, SIDE (M1, M2)			
121	20191603	RAIL, SIDE (M3, M4)			
121	20191604	RAIL, SIDE (M5, M6)			
131	20253802	PLATE, FILLER (M3, M4)			
131	20523801	PLATE, FILLER (M1, M2)			
131	20523803	PLATE, FILLER (M5, M6)			
141	0121F00035PDG	PANEL, SIDE, LEFT			
151	0121F00033PDG	PANEL, SIDE RIGHT			
161	20006601	INSULATION (M1, M2)			
161	20006602	INSULATION (M3, M4)			
161	20006603	INSULATION (M5, M6)			
171	20243503	INSULATION, SIDE (QTY 2)			
221	10690402	SWITCH, INTERLOCK			
231	22309501	PIPE, FLUE			
241	20171802	ELBOW			
271	22307501S	BLOWER, ID			
281	20049701	COUPLING			
311	10736102	BOX, HIGH VOLTAGE			
391	M0275521	SEALER, PLASTIC			
421	A4554801	BUSHING, SNAP			
541	M0216716	SCREW, SM (QTY 4)			
551	M0219916	SCREW, SM (QTY 8)			
561	M0219918	SCREW, SM, #8-5/8" (QTY 30)			
591	11165107	SHEILD, ID BLOWER			

Heat Exchanger / Manifold / Gas Valve

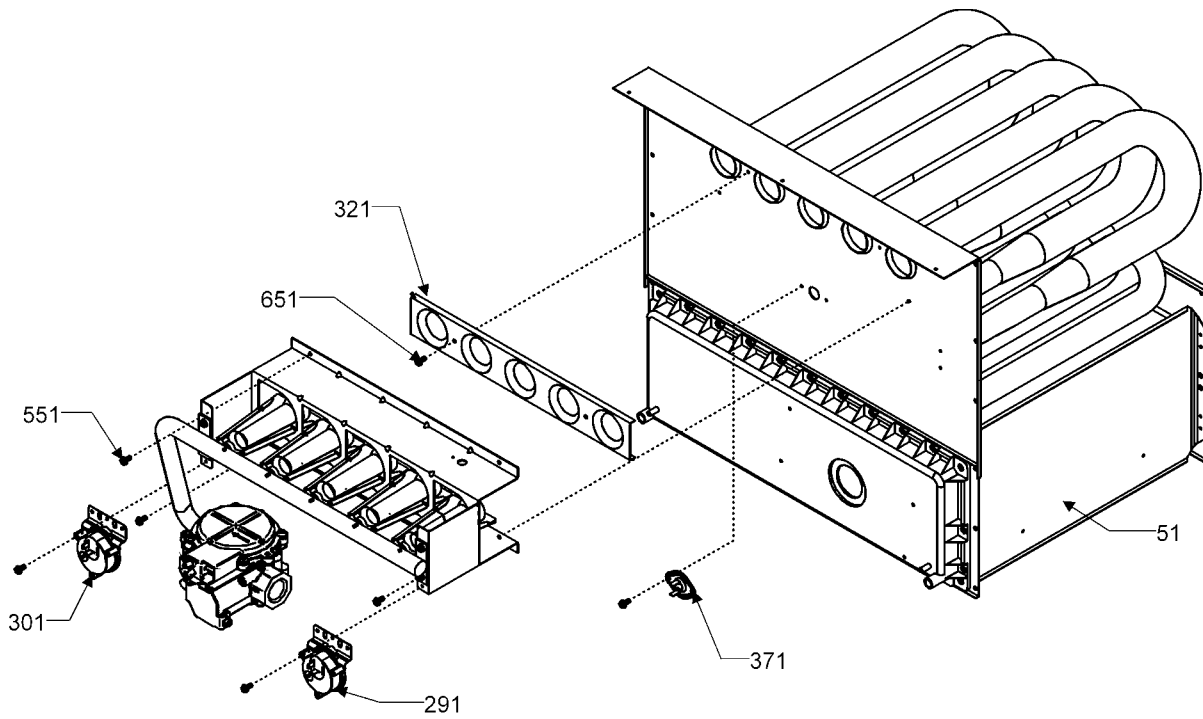
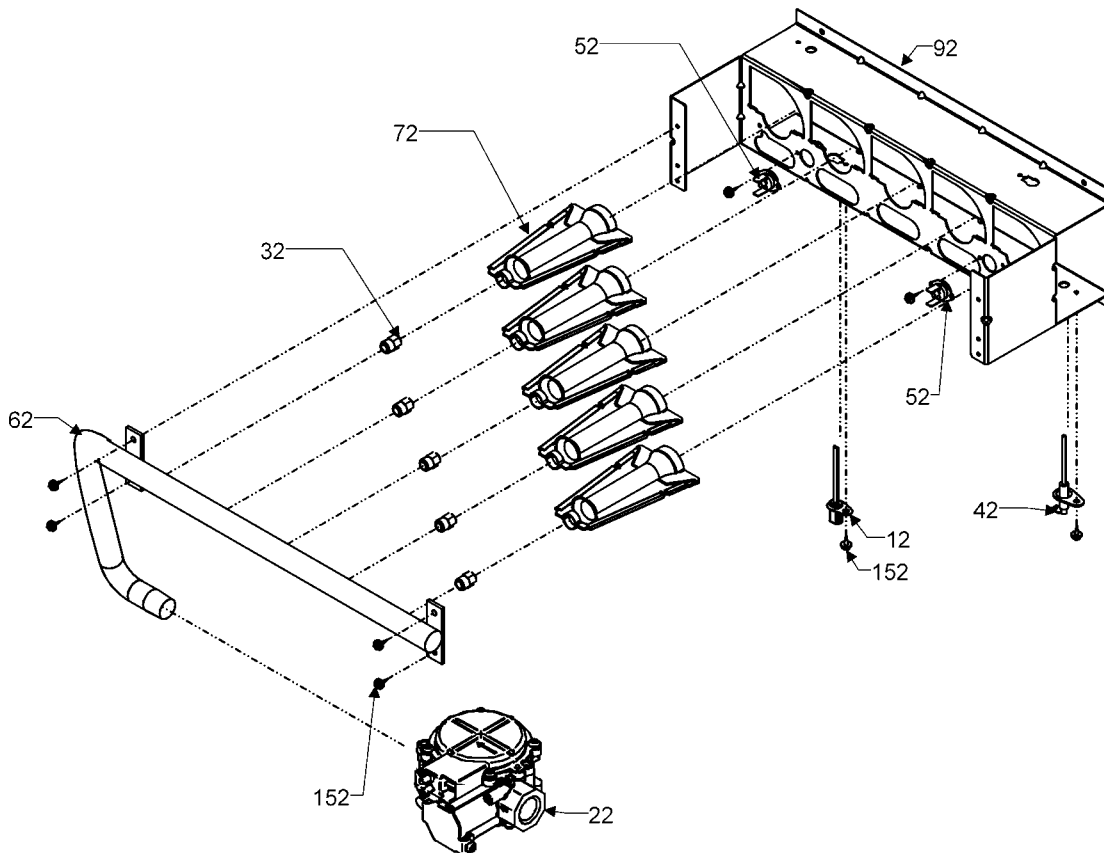


Image 1

Image 2



Heat Exchanger / Manifold / Gas Valve

Ref. Part No:	Part No:	Description:	Ref. Part No:	Part No:	Description:
---------------	----------	--------------	---------------	----------	--------------

Image 1:

51	0257F00026P	HEAT EXHANGER, 2B (M1)
51	0257F00048P	HEAT EXHANGER, 3B (M2)
51	0257F00055	HEAT EXHANGER, 3B (M3)
51	0257F00049P	HEAT EXHANGER, 4B (M4)
51	20317359	HEAT EXHANGER, 4B (M5)
51	20317360	HEAT EXHANGER, 5B (M6)
291	0130F00000P	SWITCH, PRESSURE, ID BLOWER (M1, M3, M5, M6)
291	0130F00001P	SWITCH, PRESSURE, ID BLOWER (M4)
291	0130F00002P	SWITCH, PRESSURE, ID BLOWER (M2)
301	20197310	SWITCH, PRESSURE (M4, M6)
301	20197312	SWITCH, PRESSURE (M1, M2, M3, M5)
321	11072201	SHEILD, ORF (M1)
321	11072202	SHEILD, ORF (M2, M3)
321	11072203	SHEILD, ORF (M4, M5)
321	11072204	SHEILD, ORF (M6)
371	20162904	LIMIT OPENS 150° CLOSES 110° (M1, M4)
371	20162903	LIMIT OPENS 160° CLOSES 120° (M2, M3, M5)
371	20162906	LIMIT OPENS 170° CLOSES 130° (M6)
551	M0219916S	SCREW, SM (QTY AR)
651	M0211020	SCREW, SM #8-7/8"

Image 2:

12	11111701	IGNITOR, SINI
22	B1282628	VALVE, GAS
32	10716003	ORIFICE (QTY AR)
42	204888501	SENSOR, FLAME
52	10123533	LIMIT, MANUAL RESET 200°
62	20196401	MANIFOLD, 2B (M1)
62	20196402	MANIFOLD, 3B (M2, M3)
62	20196403	MANIFOLD, 4B (M4, M5)
62	20196404	MANIFOLD, 5B (M6)
72	10735102	BURNER, BECKETT (QTY AR)
92	20190410	BRACKET, BURNER, 2B (M1)
92	20190411	BRACKET, BURNER, 3B (M2, M3)
92	20190412	BRACKET, BURNER, 4B (M4, M5)
92	20190413	BRACKET, BURNER, 5B (M6)
152	M0219916S	SCREW, SM (QTY 8)

Expanded Model Nomenclature

M1 - AMS950453BXA
M2 - AMS950703BXA
M3 - AMS950704CXA
M4 - AMS950904CXA
M5 - AMS950905DXA
M6 - AMS951155DXA

Recoup Coil Assy / Standpipe Bag Assy

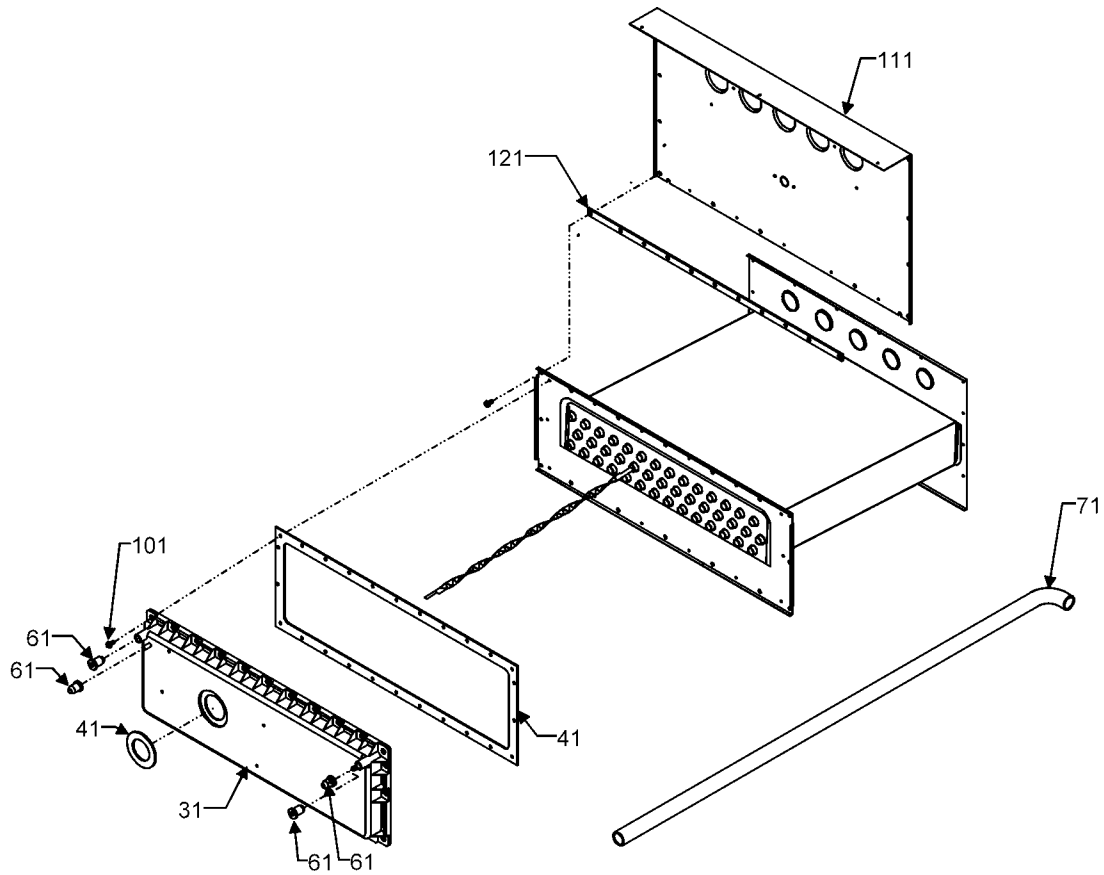
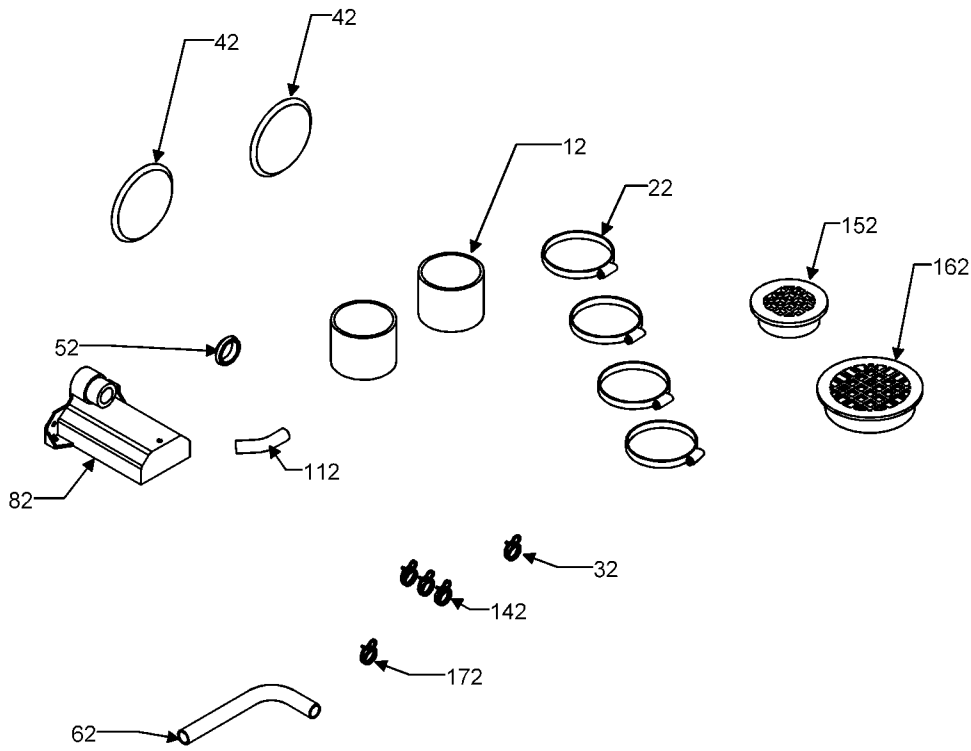


Image 1

Image 2



Recoup Coil Assy / Standpipe Bag Assy

Ref. Part No:	Part No:	Description:	Ref. Part No:	Part No:	Description:
---------------	----------	--------------	---------------	----------	--------------

Image 1:

31	20170804A	COVER, FRONT (M1)
31	20170806A	COVER, FRONT (M2)
31	20170901A	COVER, FRONT (M4)
31	20170905A	COVER, FRONT (M3)
31	20171003A	COVER, FRONT (M5)
31	20171004A	COVER, FRONT (M6)
41	0154F00000P	GASKET (M1, M2)
41	0154F00001P	GASKET (M3, M4)
41	0154F00002P	GASKET (M5, M6)
61	M0326804	PLUG, TUBE (QTY 4)
71	20201802	DRAIN, TUBE (QTY 2)
101	M0211031	SCREW, SM #10-5/8" (QTY AR)
111	20191401	PANEL, PART, 2B (M1)
111	20191402	PANEL, PART, 3B (M2)
111	20191403	PANEL, PART, 3B (M3)
111	20191404	PANEL, PART, 4B (M4)
111	20191408	PANEL, PART, 4B (M5)
111	20191409	PANEL, PART, 5B (M6)
121	20194605	GASKET (M1, M2)
121	20194606	GASKET (M3, M4)
121	20194607	GASKET (M5, M6)

Image 2:

12	10254303	COUPLING, RUBBER
22	A3326002	CLAMP, HOSE (QTY 2)
32	M0119207	CLAMP, HOSE
42	20179307	GASKET (M5, M6)
42	20179308	GASKET
42	20179309	GASKET (M1, M2)
42	20179310	GASKET (M3, M4)
52	M0570808	PLUG, BUTTON (QTY 4)
62	20201901	DRAIN, HOSE
82	20171701	DRAIN TRAP
112	20214203	DRAIN, ANGLE
142	M0119205	CLAMP, HOSE (QTY 5)
152	B2810816	2" MESH INSERT
162	B2810814	3" MESH INSERT
172	M0119206	CLAMP, HOSE

Expanded Model Nomenclature

M1 - AMS950453BXA
M2 - AMS950703BXA
M3 - AMS950704CXA
M4 - AMS950904CXA
M5 - AMS950905DXA
M6 - AMS951155DXA