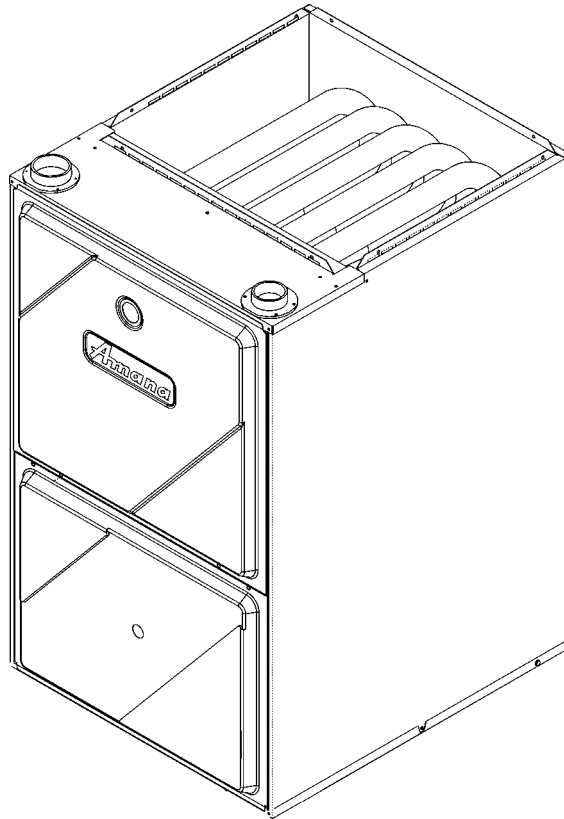


AMS95 Single Stage Upflow Furnace

AMS950453BXAB
AMS950703BXAB
AMS950704CXAB
AMS950904CXAB
AMS951155DXAB



Important Information

Index

Functional Parts List	3
Illustration and Parts	4 - 13

Views shown are for parts illustrations only, not servicing procedures

Text Codes:

AR - As Required

NA - Not Available

NS - Not Shown

00000000 - See Note

QTY - Quantity Example (QTY 3) (If Quantity not shown, Quantity = 1)

M - Model Example (M1) (If M Code not shown, then part is used on all Models)

Expanded Model Nomenclature:

Example
M1 - Model#1
M2 - Model#2
M3 - Model#3

Goodman Company, L.P. is not responsible for personal injury or property damage resulting from improper service. Review all service information before beginning repairs.

Warranty service must be performed by an authorized technician, using authorized factory parts. If service is required after the warranty expires, Goodman Company, L.P. also recommends contacting an authorized technician and using authorized factory parts.

Goodman Company, L.P. reserves the right to discontinue, or change at any time, specifications or designs without notice or without incurring obligations. Amana® brand products are proudly made in the USA.

For assistance within the U.S.A. contact:

Consumer Affairs Department
Goodman Company, L.P.
7401 Security Way
Houston, Texas 77040
877-254-4729-Telephone
713-863-2382-Facsimile

For assistance outside the U.S.A. contact:

International Division
Goodman Company, L.P.
7401 Security Way
Houston, Texas 77040
713-861-2500-Telephone
713-863-2382-Facsimile

Functional Parts

**Part
No:**

Description:

Expanded Model Nomenclature

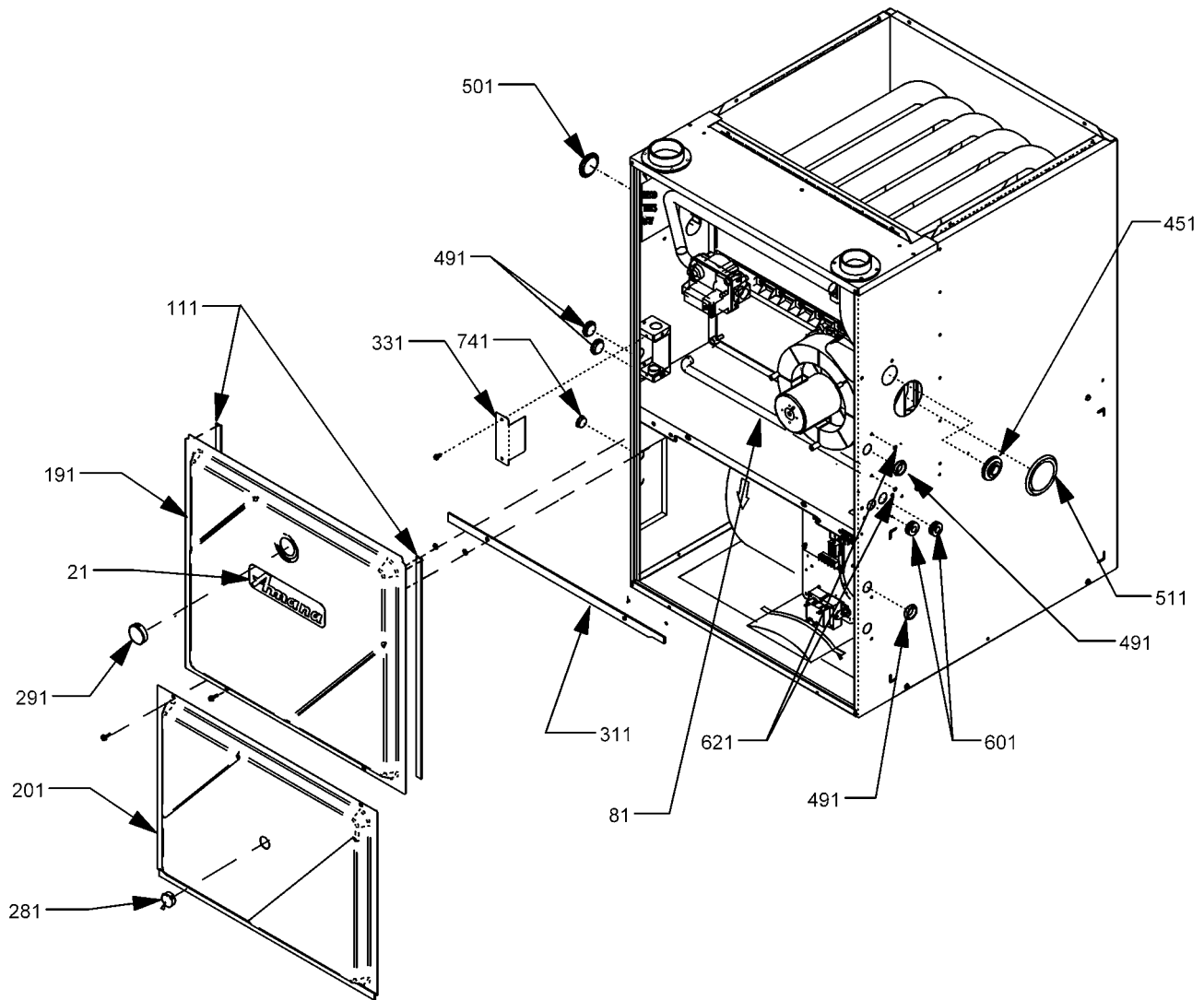
10735102S	BECKETT BURNER (QTY 2)
22307501S	BLOWER-I.D.
CAP200000370VA	CAPACITOR (M3, M4)
B945672	CAPACITOR (M1, M2)
CAP150000370VA	CAPACITOR (M5)
B1282628	GAS VALVE, MANIFOLD (36G)
0159F00001	HARNESS-WIRING MAIN
20317341	HEAT EXCHANGER ASSY 2B (M1)
20317342	HEAT EXCHANGER ASSY 3B (M2)
20317343	HEAT EXCHANGER ASSY 3B (M3)
20317339	HEAT EXCHANGER ASSY 4B (M4)
20317360	HEAT EXCHANGER ASSY 5B (M5)
11111701	IGNITOR-SINI
10123535	LIMIT-RESET MANUAL ROLLOUT (M1, M2, M3, M4)
10123533	LIMIT-RESET MANUAL ROLLOUT (QTY AR)
10123519	LIMIT-RESET MANUAL ROLLOUT (M5)
20196402	MANIFOLD (M2, M3)
20196403	MANIFOLD (M4)
20196401	MANIFOLD (M1)
20196404	MANIFOLD (M5)
B1340024S	MOTOR, DIRECT DRIVE 1/2 H.P. (M3, M4)
B1340025S	MOTOR, DIRECT DRIVE 1/3 H.P. (M1, M2)
10759415	MOTOR-BLOWER 3/4 HP (M5)
B4089343	ORIFICE (QTY 2)
20488501	SENSOR-FLAME
B1370818	SWITCH-INTERLOCK
20197312	SWITCH-PRESSURE (M1, M2, M3)
0130F00001P	SWITCH-PRESSURE (M4)
0130F00002P	SWITCH-PRESSURE (M2)
0130F00000P	SWITCH-PRESSURE (M1, M3, M5)
20197310	SWITCH-PRESSURE (M4, M5)
B1141605	TRANSFORMER 120V TO 24V, 40VA

M1 - AMS950453BXAB
M2 - AMS950703BXAB
M3 - AMS950704CXAB
M4 - AMS950904CXAB
M5 - AMS951155DXAB

SPECIAL PARTS

PM-ATAXCRDT150	AMANA TAX CREDIT 150
HI-115A	HOMEOWNERS INSTRUCTIONS
IO-276C	INSTALLATION INSTRUCTIONS
IO-661	INSTALLATION INSTRUCTIONS
22323501	INSTALLATION INSTRUCTIONS-HUMIDIFIER
0161M00003P	NAMEPLATE, AMANA
RP-399	REPAIR PARTS MANUAL
10195517Q	STANDPIPE BAG ASSY

Cabinet



Cabinet

Ref. Part No: No:	Description:	Ref. Part No: No:	Description:
<i>Image 1:</i>			
21	0161M00003P		NAMEPLATE, AMANA
81	20201902		HOSE-DRAIN
111	20179308		GASKET (QTY 2)
191	20273108		DOOR-ACCESS (M1, M2)
191	20273110		DOOR-ACCESS (M3, M4)
191	20273112		DOOR-ACCESS (M5)
201	20177308		DOOR-BLOWER (M1, M2)
201	20177310		DOOR-BLOWER (M3, M4)
201	20177312		DOOR-BLOWER (M5)
281	B1392139		VIEW PORT BUSHING-BLOWER DOOR
291	11104002		VIEW PORT BUSHING-ACCESS DOOR
311	22320001		GASKET-DECK (M1, M2)
311	22320002		GASKET-DECK (M3, M4)
311	22320003		GASKET-DECK (M5)
331	10736201		COVER-HIGH VOLTAGE BOX
451	M0501301		GROMMET-PIPE
491	M0570808		PLUG-BUTTON (QTY 4)
501	M0570806		PLUG-BUTTON
511	M0570807		PLUG-BUTTON
601	A4691701		GROMMET (QTY 2)
621	M0310345		BUTTON-PLUG (QTY 2)
741	B1392104		UNIVERSAL BUSHING UB 875 (QTY 2)

Expanded Model Nomenclature

M1 - AMS950453BXAB
M2 - AMS950703BXAB
M3 - AMS950704CXAB
M4 - AMS950904CXAB
M5 - AMS951155DXAB

Blower Assembly

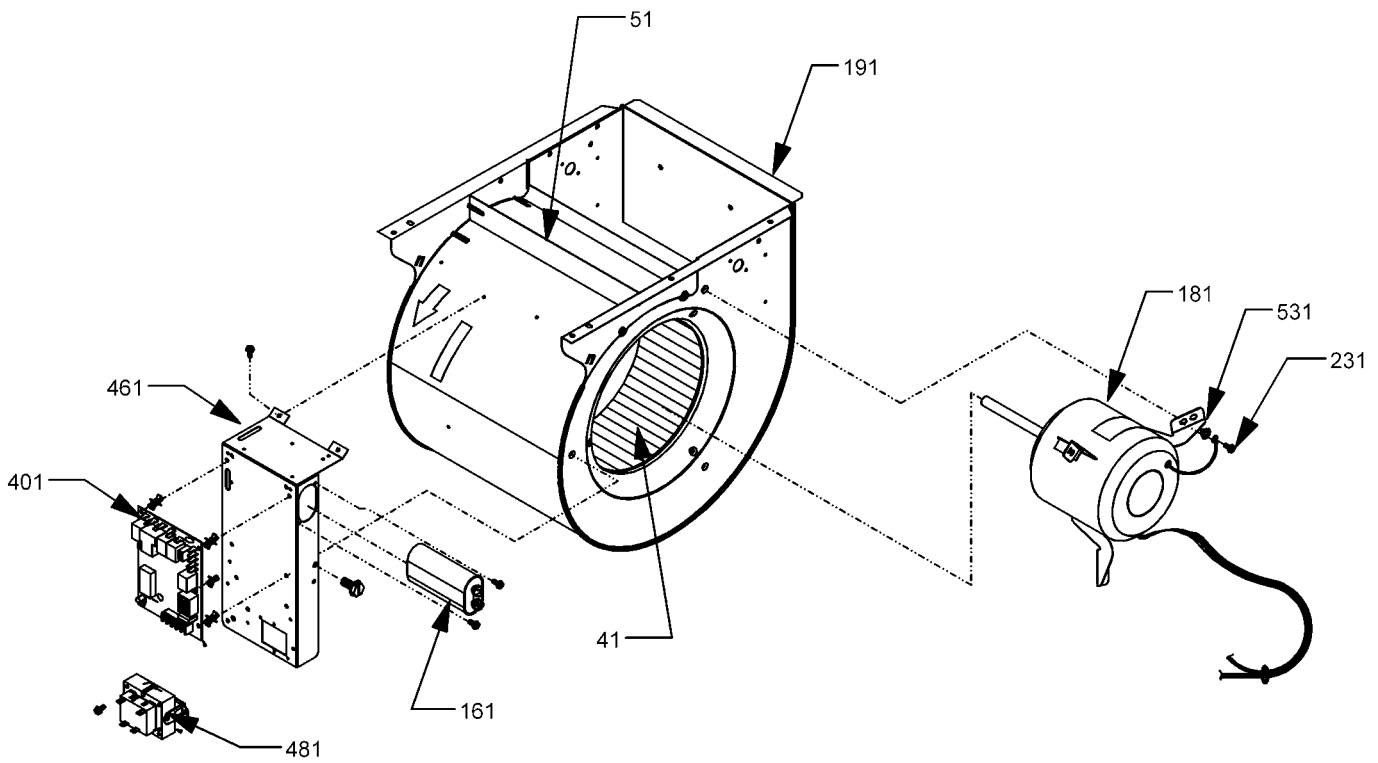
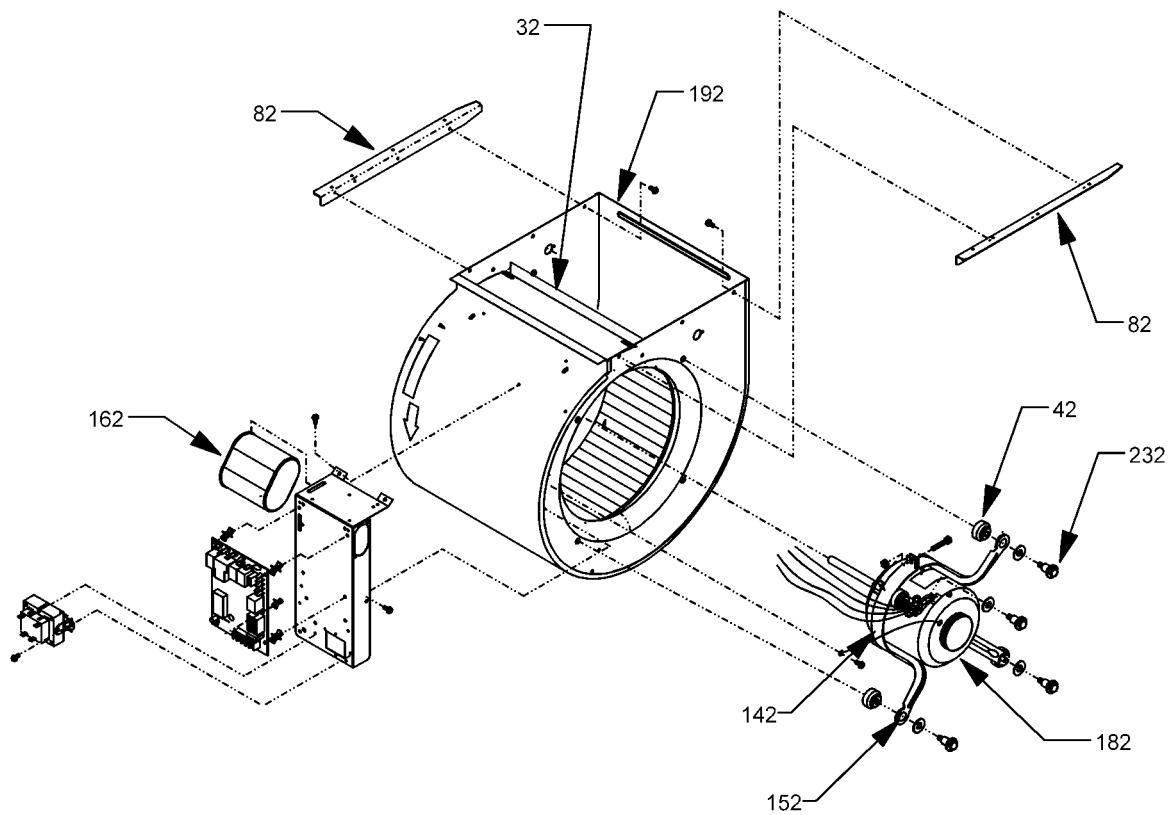


Image 1

Image 2



Blower Assembly

Ref. Part No: No:	Description:	Ref. Part No: No:	Description:
-------------------	--------------	-------------------	--------------

Image 1:

41	D6723311	WHEEL-BLOWER (M5)
41	B1368047	WHEEL-BLOWER 10 X 10 (M3, M4)
41	B1368058S	WHEEL-BLOWER 10 X 8 (M1, M2)
51	764741F	BLOWER BLOCK-OFF 10 X 10 (M3, M4)
51	764740F	BLOWER BLOCK-OFF 10 X 8 (M1, M2)
161	B945672	CAPACITOR (M1, M2)
161	CAP200000370VA	CAPACITOR (M3, M4)
181	B1340024S	MOTOR, DIRECT DRIVE 1/2 H.P. (M3, M4)
181	B1340025S	MOTOR, DIRECT DRIVE 1/3 H.P. (M1, M2)
191	0271F00003P	BLOWER HOUSING ASSY 10 X 10 (M3, M4)
191	0271F00000P	BLOWER HOUSING ASSY 10 X 8 (M1, M2)
231	M0250558	SCREW-TC (M1, M2, M3, M4)
401	10207720S	CONTROL-INTEGRATED
461	0121F00025P	BRACKET-CONTROL
481	B1141605	TRANSFORMER 120V TO 24V, 40VA
531	B1392143	GROMMET, 26TAL F/TORSIN FLEX (M1, M2, M3, M4)
NS	0159F00001	HARNES-WIRING MAIN

Image 2:

32	C6121807	CUT-OFF (M5)
42	A4002701	GROMMET (M5)
82	20175101	RAIL-BLOWER SIDE (M5)
142	10441601	BAND-MOTOR MOUNT (M5)
152	10441501	ARM-MOTOR MOUNT (M5)
162	CAP150000370VA	CAPACITOR (M5)
182	10759415	MOTOR-BLOWER 3/4 HP (M5)
192	0271F00048	BLOWER HOUSING ASSY 11 X 10 (M5)
232	M0221461	SCREW-TC (M5)

Expanded Model Nomenclature

M1 - AMS950453BXAB
M2 - AMS950703BXAB
M3 - AMS950704CXAB
M4 - AMS950904CXAB
M5 - AMS951155DXAB

Chassis Assembly

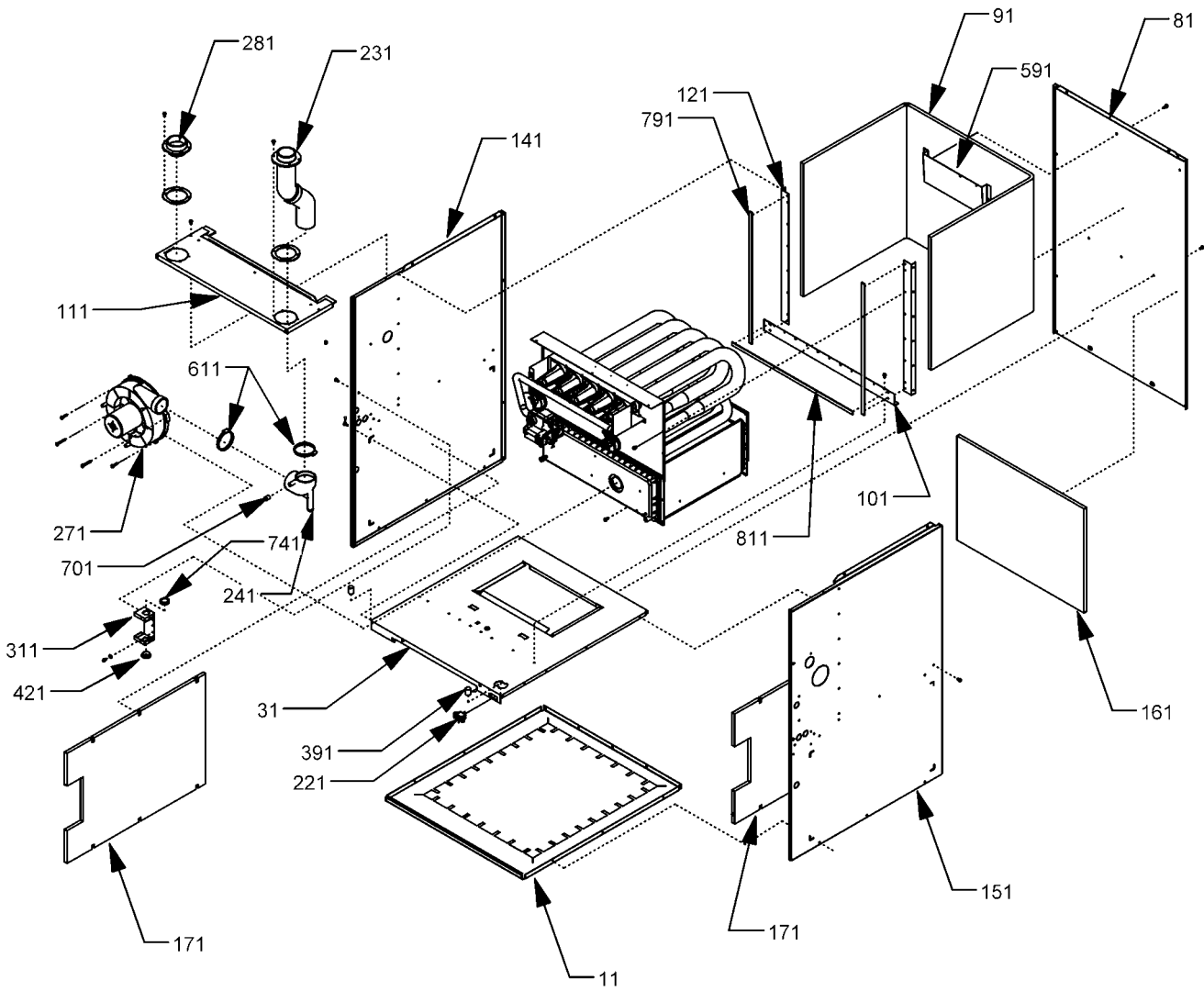
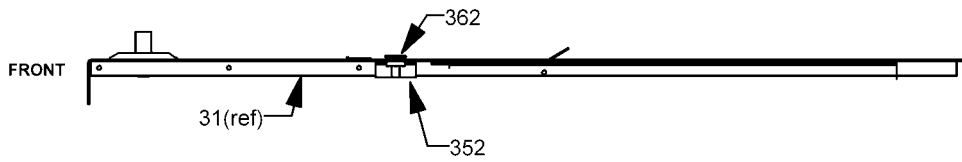


Image 2



Chassis Assembly

Ref. Part No:	Ref. Part No:	Description:	Description:
<i>Image 1:</i>			
11	0121F00050DG	BASEPAN-UPFLOW (M1, M2)	362 10123519 LIMIT-RESET MANUAL ROLLOUT (M5)
11	0121F00051DG	BASEPAN-UPFLOW (M3, M4)	362 10123535 LIMIT-RESET MANUAL ROLLOUT (M1, M2, M3, M4)
11	0121F00052DG	BASEPAN-UPFLOW (M5)	Expanded Model Nomenclature
31	0121F00048	DECK-BLOWER 24.5" (M5)	M1 - AMS950453BXAB
31	0121F00043	DECK-BLOWER UF 17.5" (M1, M2)	M2 - AMS950703BXAB
31	0121F00045	DECK-BLOWER UF 20" (M3, M4)	M3 - AMS950704CXAB
81	20273208	PANEL-BACK (M1, M2)	M4 - AMS950904CXAB
81	20273210	PANEL-BACK (M3, M4)	M5 - AMS951155DXAB
81	20273212	PANEL-BACK (M5)	
91	C6415909	INSUL-HEAT EXCHANGER (M5)	
91	C6415910	INSUL-HEAT EXCHANGER (M1, M2)	
91	C6415911	INSUL-HEAT EXCHANGER (M3, M4)	
101	0121F00018P	RAIL-DECK (M1, M2)	
101	0121F00019P	RAIL-DECK (M3, M4)	
101	20191303	RAIL-DECK (M5)	
111	0270F00001PS	TOP COVER ASSY (M3, M4)	
111	0270F00002PS	TOP COVER ASSY (M5)	
111	0270F00100P	TOP COVER ASSY (M1, M2)	
121	20191602	RAIL-SIDE (M1, M2)	
121	20191603	RAIL-SIDE (M3, M4)	
121	20191604	RAIL-SIDE (M5)	
141	0121F00035PDG	PANEL-SIDE LH	
151	0121F00033PDG	PANEL-SIDE RH	
161	20006601	INSULATION (M1, M2)	
161	20006602	INSULATION (M3, M4)	
161	20006603	INSULATION (M5)	
171	20243503	INSULATION-SIDE (QTY 2)	
221	B1370818	SWITCH-INTERLOCK	
231	22309501	PIPE-FLUE UF	
241	20171802	ELBOW	
271	22307501S	BLOWER-I.D.	
281	20049701	COUPLING-FA	
311	10736102	BOX-HIGH VOLTAGE	
391	M0275521	SEALER-PLASTIC	
421	A4554801	BUSHING-SNAP	
591	11165107	SHIELD ID BLOWER	
611	A3326002	CLAMP-HOSE (QTY 2)	
701	M0326804	PLUG-TUBE	
741	B1392104	UNIVERSAL BUSHING UB 875 (QTY 2)	
791	20194608	GASKET (QTY 2)	
811	20194605	GASKET (M1, M2)	
811	20194606	GASKET (M3, M4)	
811	20194607	GASKET (M5)	
<i>Image 2:</i>			
352	10861101	BRACKET-AUX LIMIT	

Heat Exchanger Assy/Mainfold/Gas Valve

Ref. Part No:	Ref. Part No:	Description:	Description:
---------------	---------------	--------------	--------------

Image 1:

11	11111701	IGNITOR-SINI
21	B1282628	GAS VALVE, MANIFOLD (36G)
31	B4089343	ORIFICE (QTY 2)
41	20488501	SENSOR-FLAME
51	20317341	HEAT EXCHANGER ASSY 2B (M1)
51	20317342	HEAT EXCHANGER ASSY 3B (M2)
51	20317343	HEAT EXCHANGER ASSY 3B (M3)
51	20317339	HEAT EXCHANGER ASSY 4B (M4)
51	20317360	HEAT EXCHANGER ASSY 5B (M5)
61	20196401	MANIFOLD (M1)
61	20196402	MANIFOLD (M2, M3)
61	20196403	MANIFOLD (M4)
61	20196404	MANIFOLD (M5)
71	10735102S	BECKETT BURNER (QTY 2)
91	20190410	BRACKET-BURNER 2B (M1)
91	20190411	BRACKET-BURNER 3B (M2, M3)
91	20190412	BRACKET-BURNER 4B (M4)
91	20190413	BRACKET-BURNER 5B (M5)
151	10123533	LIMIT-RESET MANUAL ROLLOUT (QTY AR)
291	0130F00000P	SWITCH-PRESSURE (M1, M3, M5)
291	0130F00001P	SWITCH-PRESSURE (M4)
291	0130F00002P	SWITCH-PRESSURE (M2)
301	20197310	SWITCH-PRESSURE (M4, M5)
301	20197312	SWITCH-PRESSURE (M1, M2, M3)
321	11072201	SHIELD-ORIFICE (M1)
321	11072202	SHIELD-ORIFICE (M2, M3)
321	11072203	SHIELD-ORIFICE (M4)
321	11072204	SHIELD-ORIFICE (M5)
371	20162903	LIMIT-PRIMARY (M2, M3)
371	20162904	LIMIT-PRIMARY (M1, M4)
371	20162906	LIMIT-PRIMARY (M5)
NS	0164M00002	HOSE-PRESSURE SWITCH
NS	0164M00002	HOSE-PRESSURE SWITCH (QTY 2)
NS	0164M00009	HOSE-PRESSURE SWITCH
NS	0164M00012	HOSE-PRESSURE SWITCH (M1, M2)
NS	0164M00013	HOSE-PRESSURE SWITCH (M3, M4)
NS	0164M00014	HOSE-PRESSURE SWITCH (M5)

Expanded Model Nomenclature

M1 - AMS950453BXAB
M2 - AMS950703BXAB
M3 - AMS950704CXAB
M4 - AMS950904CXAB
M5 - AMS951155DXAB

Recupe Coil Assy/Standpipe Bag Assy

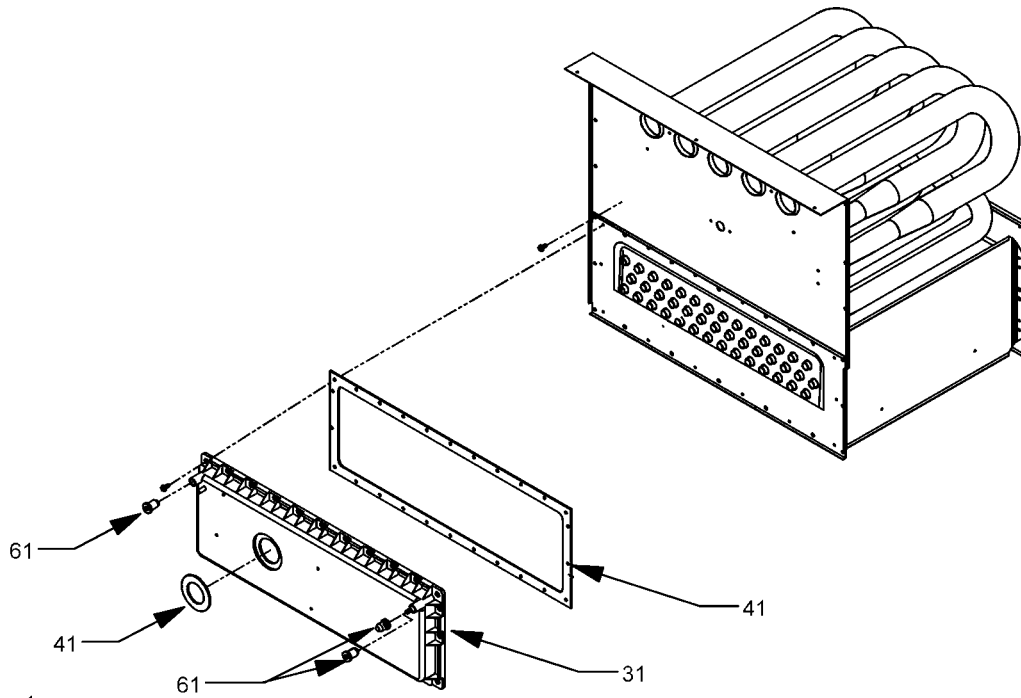
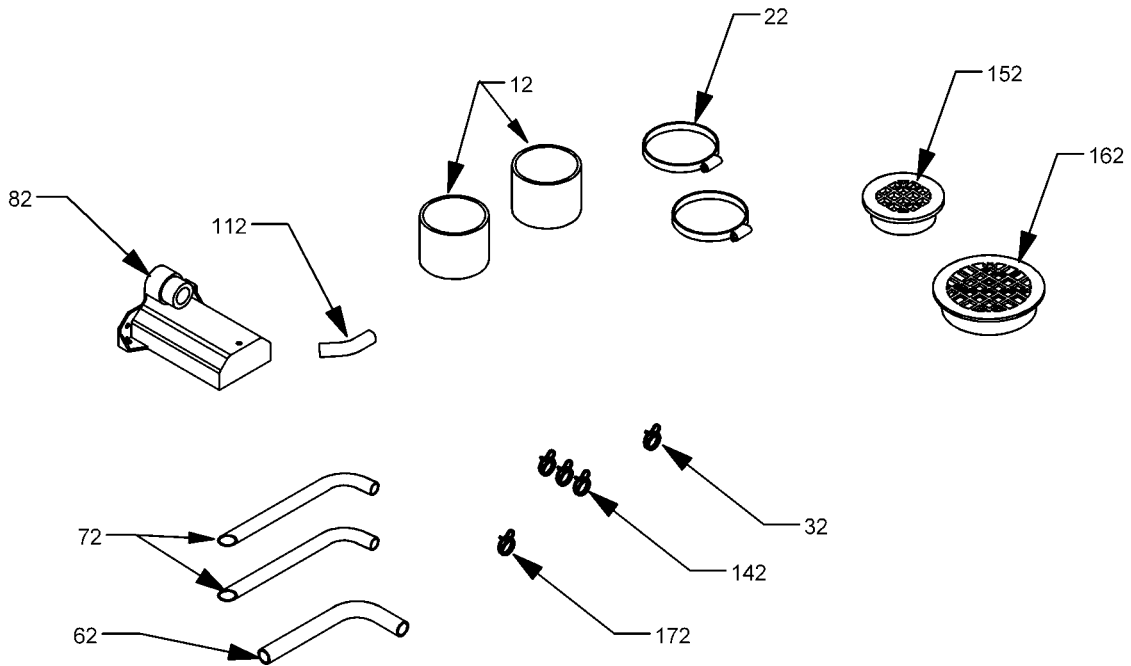


Image 1

Image 2



Recupe Coil Assy/Standpipe Bag Assy

Ref. Part No: No:	Description:	Ref. Part No: No:	Description:
-------------------	--------------	-------------------	--------------

Image 1:

31	20170804A	COVER-FRONT (M1)
31	20170806A	COVER-FRONT (M2)
31	20170901A	COVER-FRONT (M4)
31	20170905A	COVER-FRONT (M3)
31	20171004A	COVER-FRONT (M5)
41	0154F00000P	GASKET-COIL (M1, M2)
41	0154F00001P	GASKET-COIL (M3, M4)
41	0154F00002P	GASKET-COIL (M5)
61	M0326804	PLUG-TUBE (M5)
61	M0326804	PLUG-TUBE (M1, M2, M3, M4)

Image 2:

12	10254303	COUPLING-RUBBER
22	A3326002	CLAMP-HOSE (QTY 2)
32	M0119207	CLAMP-HOSE
62	20201901	HOSE-DRAIN
72	20201802	TUBE-DRAIN (QTY 2)
82	20171701	DRAIN TRAP
112	20214203	DRAIN-ANGLE
142	M0119205	CLAMP-HOSE (QTY 3)
152	B2810816	2" MESH INSERT
162	B2810814	3" MESH INSERT
172	M0119206	CLAMP-HOSE

Expanded Model Nomenclature

M1 - AMS950453BXAB
M2 - AMS950703BXAB
M3 - AMS950704CXAB
M4 - AMS950904CXAB
M5 - AMS951155DXAB