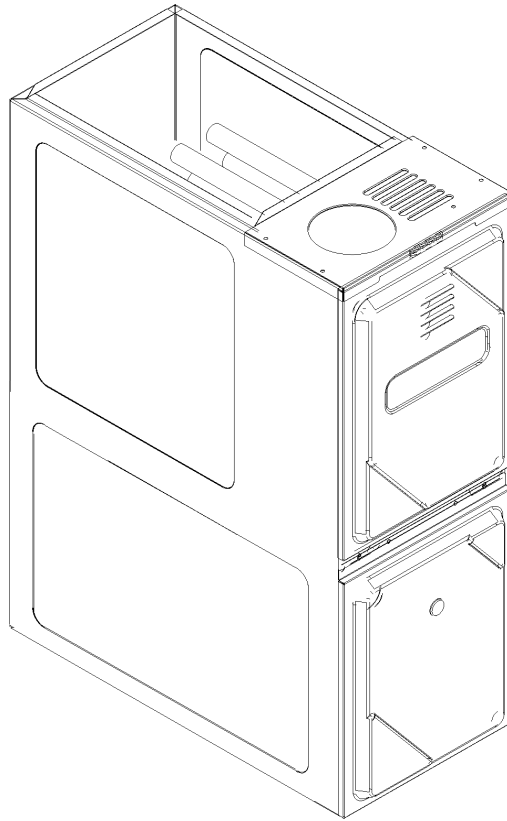


AMS8 Single-Stage Multi-Speed Furnace

AMS80453ANAA
AMS80453AXAA
AMS80703ANAA
AMS80703AXAA
AMS80704BNAA
AMS80704BXAA
AMS80903BNAA
AMS80904BNAA
AMS80904BXAA
AMS80905CNAA
AMS80905CXAA
AMS81155CNAA
AMS81155CXAA
AMS81405DNAA
AMS81405DXAA



Important Information

Index

Functional Parts List	3
Illustration and Parts	4 - 11

Views shown are for parts illustrations only, not servicing procedures

Rev. C: Added Interlock Switch 10690402.

Text Codes:

AR - As Required

NA - Not Available

NS - Not Shown

00000000 - See Note

QTY - Quantity Example (QTY 3) (If Quantity not shown, Quantity = 1)

M - Model Example (M1) (If M Code not shown, then part is used on all Models)

Expanded Model Nomenclature:

Example M1 - Model#1 M2 - Model#2 M3 - Model#3

Goodman Company, L.P. is not responsible for personal injury or property damage resulting from improper service. Review all service information before beginning repairs.

Warranty service must be performed by an authorized technician, using authorized factory parts. If service is required after the warranty expires, Goodman Company, L.P. also recommends contacting an authorized technician and using authorized factory parts.

Goodman Company, L.P. reserves the right to discontinue, or change at any time, specifications or designs without notice or without incurring obligations.

For assistance within the U.S.A. contact:

Consumer Affairs Department
Goodman Company, L.P.
7401 Security Way
Houston, Texas 77040
877-254-4729-Telephone
713-863-2382-Facsimile

For assistance outside the U.S.A. contact:

International Division
Goodman Company, L.P.
7401 Security Way
Houston, Texas 77040
713-861-2500-Telephone
713-863-2382-Facsimile

Functional Parts

Part

No: Description:

Part No:	Description:	Part No:	Description:
0259F00010P	ASSY, WIRE HARNES IGNITOR 4-PIN	B1370158	SWITCH, AIR PRESSURE -0.70" WC (M10, M11, M12, M13)
0259F00006P	ASSY, WIRE HARNESS 12-PIN	B1370179	SWITCH, AIR PRESSURE 0.75" WC (M14, M15)
CAP125000370RP	CAPACITOR 12.5/370 (M1, M2, M3, M4, M7)	B1370155	SWITCH, AUXILIARY LIMIT 120°F
CAP200000370RP	CAPACITOR 20/370 (M5, M6, M8, M9, M10, M11, M12, M13)	B1370198	SWITCH, PRIMARY LIMIT 150°F (M7, M12, M13, M14, M15)
CAP250000370RP	CAPACITOR 25/370 (M14, M15)	B1370187	SWITCH, PRIMARY LIMIT 160°F (M3, M4)
0130F00010	FLAME SENSOR	B1370188	SWITCH, PRIMARY LIMIT 170°F (M5, M6, M8, M9)
B4026005	GAS MANIFOLD 2 CELL (M1, M2)	B1370189	SWITCH, PRIMARY LIMIT 200°F (M10, M11)
B4026006	GAS MANIFOLD 3 CELL (M3, M4, M5, M6)	B1370190	SWITCH, PRIMARY LIMIT 210°F (M1, M2)
B4026007	GAS MANIFOLD 4 CELL (M7, M8, M9, M10, M11)	B1141605	TRANSFORMER 120V TO 24V, 40VA
B4026008	GAS MANIFOLD 5 CELL (M12, M13, M15)	0259F00004P	WIRE KIT
B4026009	GAS MANIFOLD 6 CELL (M14)		
B1282628	GAS VALVE		
10207720	IGNITION BOARD, HSI INTEGRATED		
11111701	IGNITOR-SINI		
B1370818	INTERLOCK SWITCH		
20046618S	MOTOR, BLOWER 3/4 HP (M14, M15)		
B1340024S	MOTOR, DIRECT DRIVE 1/2 HP, 4 SP, 6 PL (M5, M6, M8, M9, M10, M11, M12, M13)		
B1340025S	MOTOR, DIRECT DRIVE 1/3 HP, 4 SP, 6 PL (M1, M2, M3, M4, M7)		
0131M00002S	MOTOR, VENT 80+		
10716003	ORIFICE (QTY 2)		
4028000	ORIFICE PLATE 2 CELL (M1, M2)		
4028001	ORIFICE PLATE 3 CELL (M3, M4, M5, M6)		
4028002	ORIFICE PLATE 4 CELL (M7, M8, M9, M10, M11)		
4028003	ORIFICE PLATE 5 CELL (M12, M13, M15)		
4028004	ORIFICE PLATE 6 CELL (M14)		
B1370145	ROLLOUT SWITCH 300 W/O BRACKET (QTY 2)		
4021313	SUB ASSY, HEAT EXCHANGER 2 CELL 14" (M1, M2)		
4021314	SUB ASSY, HEAT EXCHANGER 3 CELL 14" (M3, M4)		
4021315S	SUB ASSY, HEAT EXCHANGER 3 CELL 17.5" (M5, M6)		
4021316	SUB ASSY, HEAT EXCHANGER 4 CELL 17.5" (M7, M8, M9)		
4021317S	SUB ASSY, HEAT EXCHANGER 4 CELL 21" (M10, M11)		
4021318S	SUB ASSY, HEAT EXCHANGER 5 CELL 21" (M12, M13)		
4021319	SUB ASSY, HEAT EXCHANGER 6 CELL 24.5" (M14, M15)		
B1370142	SWITCH, AIR PRESSURE 0.60" WC (M1, M2, M3, M4, M5, M6, M7, M8, M9)		

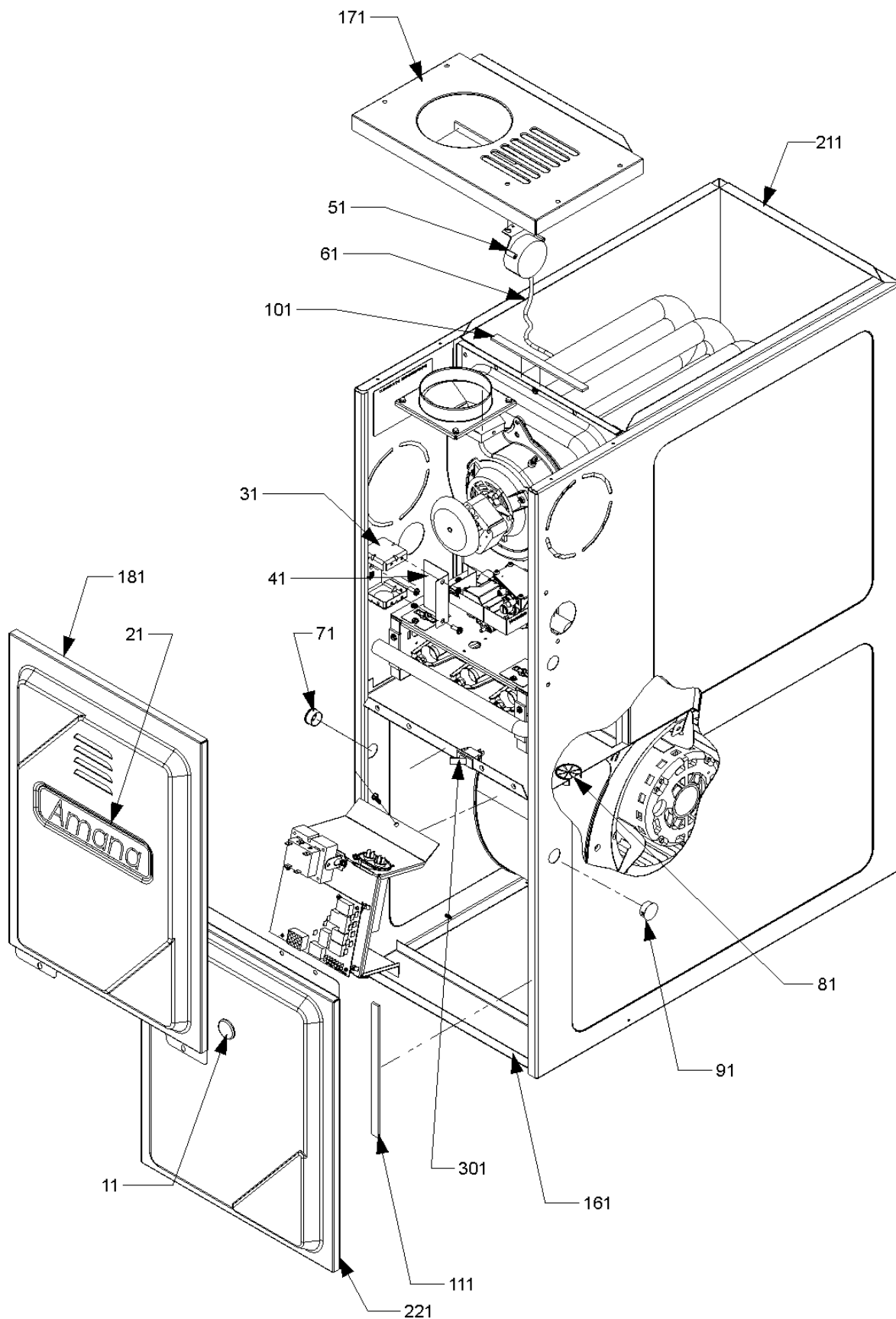
SPECIAL PARTS

IO-248E	INSTALLATION INSTRUCTIONS
0161M00003P	NAMEPLATE
RP-245C	REPAIR PARTS MANUAL
HI-115A	USERS MANUAL

Expanded Model Nomenclature

M1 - AMS80453ANAA
M2 - AMS80453AXAA
M3 - AMS80703ANAA
M4 - AMS80703AXAA
M5 - AMS80704BNAA
M6 - AMS80704BXAA
M7 - AMS80903BNAA
M8 - AMS80904BNAA
M9 - AMS80904BXAA
M10 - AMS80905CNAA
M11 - AMS80905CXAA
M12 - AMS81155CNAA
M13 - AMS81155CXAA
M14 - AMS81405DNAA
M15 - AMS81405DXAA

Cabinet



Cabinet

Ref Part No:	Description:	Ref. Part No:	Description:
<i>Image 1:</i>		Expanded Model Nomenclature	
11	B1392139 VIEW PORT BUSHING-BLOWER DOOR	M1	AMS80453ANAA
21	0161M00003P NAMEPLATE	M2	AMS80453AXAA
31	4014502 J-BOX	M3	AMS80703ANAA
41	4015502 J-BOX COVER	M4	AMS80703AXAA
51	B1370142 SWITCH, AIR PRESSURE 0.60" WC (M1, M2, M3, M4, M5, M6, M7, M8, M9)	M5	AMS80704BNAA
51	B1370158 SWITCH, AIR PRESSURE -0.70" WC (M10, M11, M12, M13)	M6	AMS80704BXAA
51	B1370179 SWITCH, AIR PRESSURE 0.75" WC (M14, M15)	M7	AMS80903BNAA
61	A3468601 PRESSURE SWITCH HOSE 3/16" I.D. X 1/4	M8	AMS80904BNAA
71	B1392104 UNIVERSAL BUSHING UB 875	M9	AMS80904BXAA
81	B1392147 UNIVERSAL BUSHING WITH SLICE	M10	AMS80905CNAA
91	B1392019 PLASTIC PLUG .875 DIA	M11	AMS80905CXAA
101	B13926111 SEAL STRIP 1/8 X 1/2 X 14 (M1, M2, M3, M4)	M12	AMS81155CNAA
111	B13926112 SEAL STRIP 1/8 X 1/2 X 17.5 (M5, M6, M7, M8, M9)	M13	AMS81155CXAA
111	B13926113 SEAL STRIP 1/8 X 1/2 X 21 (M10, M11, M12, M13)	M14	AMS81405DNAA
111	B13926114 SEAL STRIP 1/8 X 1/2 X 24.5 (M14, M15)	M15	AMS81405DXAA
161	1819000 SOLID BOTTOM 14" CASE (M1, M2, M3, M4)		
161	1819001 SOLID BOTTOM 17.5" CASE (M5, M6, M7, M8, M9)		
161	1819002 SOLID BOTTOM 21" CASE (M10, M11, M12, M13)		
161	1819003 SOLID BOTTOM 24.5" CASE (M14, M15)		
171	0221F00000PDG TOP, FURNACE 80% 14" (M1, M2, M3, M4)		
171	0221F00001PDG TOP, FURNACE 80% 17.5" (M5, M6, M7, M8, M9)		
171	0221F00002PDG TOP, FURNACE 80% 21" (M10, M11, M12, M13)		
171	0221F00003PDG TOP, FURNACE 80% 24.5" (M14, M15)		
181	4012007PLG ACCESS DOOR, CONTROL 14" (M1, M2, M3, M4)		
181	4012008PLG ACCESS DOOR, CONTROL 17.5" (M5, M6, M7, M8, M9)		
181	4012009PLG ACCESS DOOR, CONTROL 21" (M10, M11, M12, M13)		
181	4012010PLG ACCESS DOOR, CONTROL 24.5" (M14, M15)		
211	0270F00010P INSULATED ASSY, WRAPPER 14" (M1, M2, M3, M4)		
211	0270F00011P INSULATED ASSY, WRAPPER 17.5" (M5, M6, M7, M8, M9)		
211	0270F00012P INSULATED ASSY, WRAPPER 21" (M10, M11, M12, M13)		
211	0270F00013P INSULATED ASSY, WRAPPER 24.5" (M14, M15)		
221	4015004PLG ACCESS DOOR, BLOWER 14" (M1, M2, M3, M4)		
221	4015005PLG ACCESS DOOR, BLOWER 17.5" (M5, M6, M7, M8, M9)		
221	4015006PLG ACCESS DOOR, BLOWER 21" (M10, M11, M12, M13)		
221	4015007PLG ACCESS DOOR, BLOWER 24.5" (M14, M15)		
301	B1370818 INTERLOCK SWITCH		

Blower Assembly

Image 1

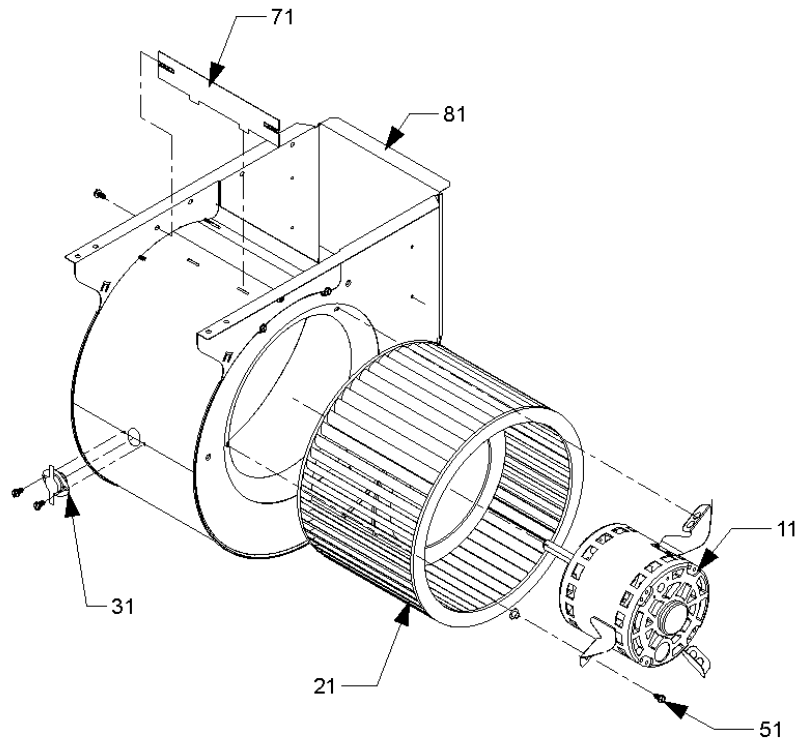
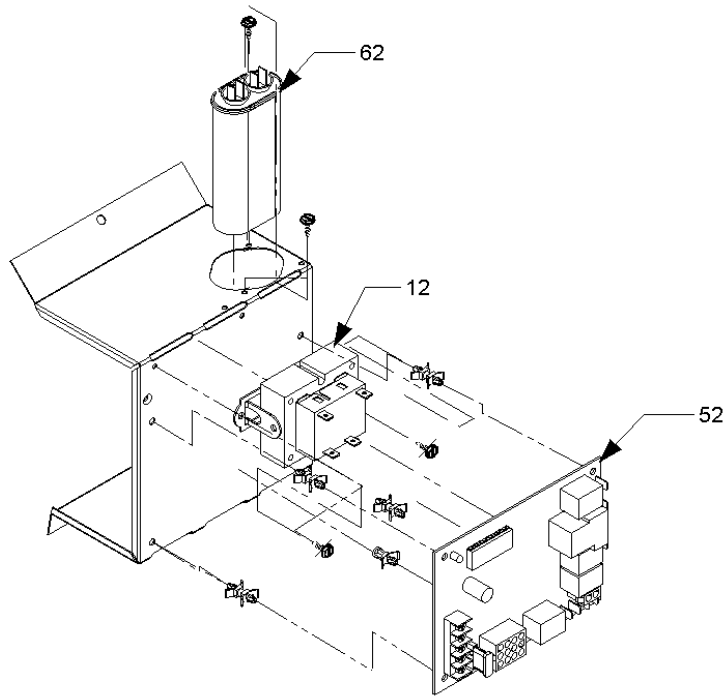


Image 2



Blower Assembly

Ref Part No:	Description:	Ref. Part No:	Description:
--------------	--------------	---------------	--------------

Image 1:

11	20046618S	MOTOR, BLOWER 3/4 HP (M14, M15)
11	B1340024S	MOTOR, DIRECT DRIVE 1/2 HP, 4 SP, 6 PL (M5, M6, M8, M9, M10, M11, M12, M13)
11	B1340025S	MOTOR, DIRECT DRIVE 1/3 HP, 4 SP, 6 PL (M1, M2, M3, M4, M7)
21	B1368047A	BLOWER WHEEL 10 X 10 (M10, M11, M12, M13, M14, M15)
21	B1368034S	BLOWER WHEEL 10 X 6 (M1, M2, M3, M4)
21	B1368016S	BLOWER WHEEL 10 X 8 (M5, M6, M8, M9)
21	B1368058S	BLOWER WHEEL 10 X 8 (M7)
31	B1370155	SWITCH, AUXILIARY LIMIT 120°F
51	B1393331	MACHINE SCREW, 1/4-20 TYPE F SLOTTED (QTY 3)
71	764741	BLOWER BLOCK-OFF 10 X 10 (M10, M11, M12, M13, M14, M15)
71	764739	BLOWER BLOCK-OFF 10 X 6 (M1, M2, M3, M4)
71	764740	BLOWER BLOCK-OFF 10 X 8 (M5, M6, M7, M8, M9)
81	2539307S	ASSY, BLOWER SHELL 10 X 10 (M10, M11, M12, M13, M14, M15)
81	2539305S	ASSY, BLOWER SHELL 10 X 6 (M1, M2, M3, M4)
81	2539306S	ASSY, BLOWER SHELL 10 X 8 (M5, M6, M7, M8, M9)
NS	0259F00006P	ASSY, WIRE HARNESS 12-PIN
NS	0259F00004P	WIRE KIT

Image 2:

12	B1141605	TRANSFORMER 120V TO 24V, 40VA
52	10207720	IGNITION BOARD, HSI INTEGRATED
62	CAP125000370RP	CAPACITOR 12.5/370 (M1, M2, M3, M4, M7)
62	CAP200000370RP	CAPACITOR 20/370 (M5, M6, M8, M9, M10, M11, M12, M13)
62	CAP250000370RP	CAPACITOR 25/370 (M14, M15)

Expanded Model Nomenclature

M1 - AMS80453ANAA
M2 - AMS80453AXAA
M3 - AMS80703ANAA
M4 - AMS80703AXAA
M5 - AMS80704BNAA
M6 - AMS80704BXAA
M7 - AMS80903BNAA
M8 - AMS80904BNAA
M9 - AMS80904BXAA
M10 - AMS80905CNAA
M11 - AMS80905CXAA
M12 - AMS81155CNAA
M13 - AMS81155CXAA
M14 - AMS81405DNAA
M15 - AMS81405DXAA

Heat Exchanger Assy/Flue Collector Box

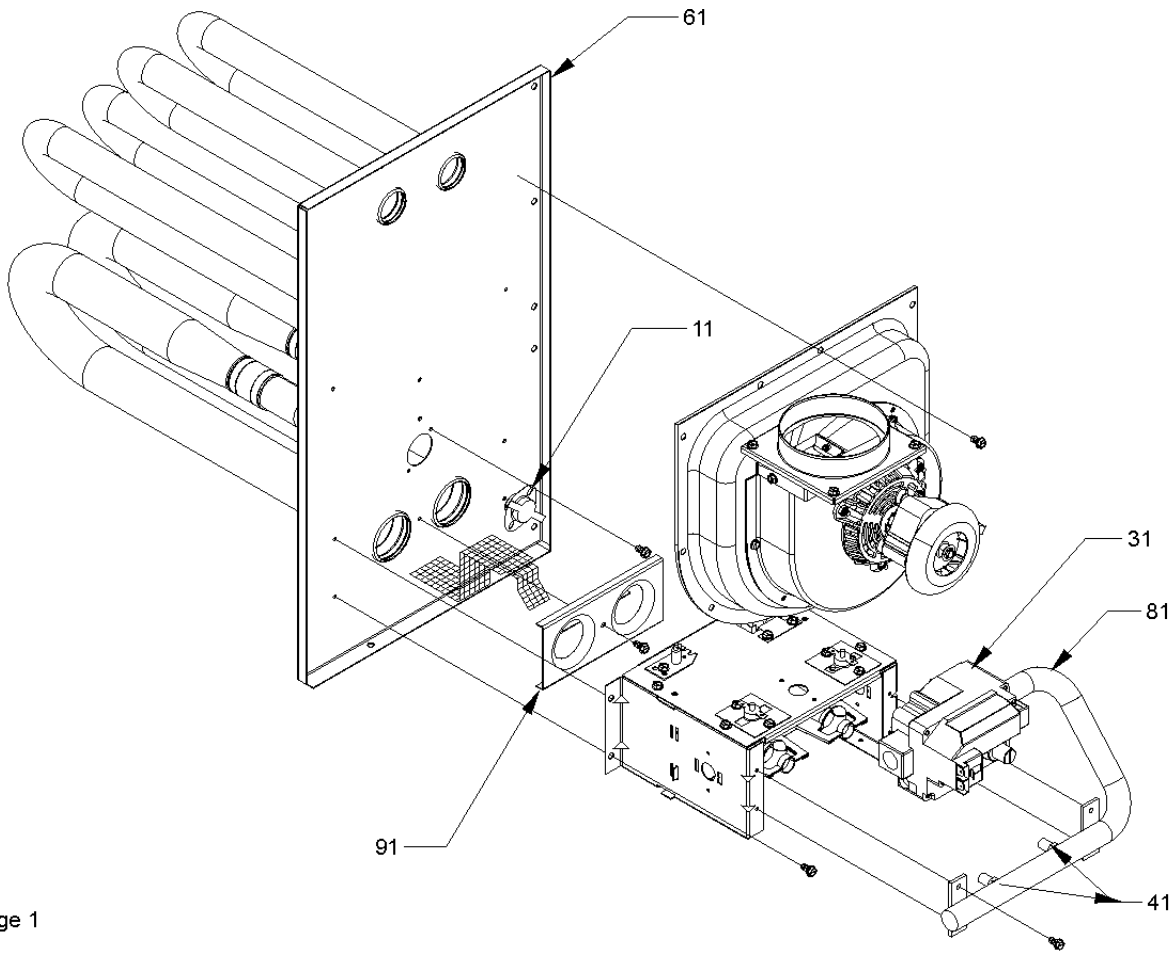
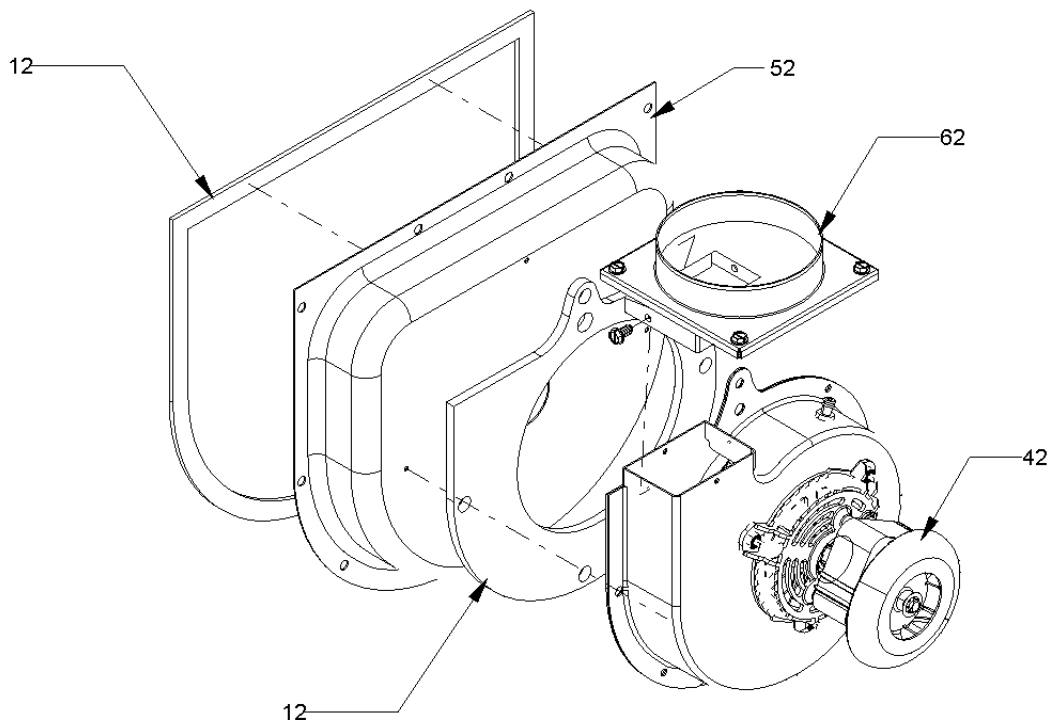


Image 1

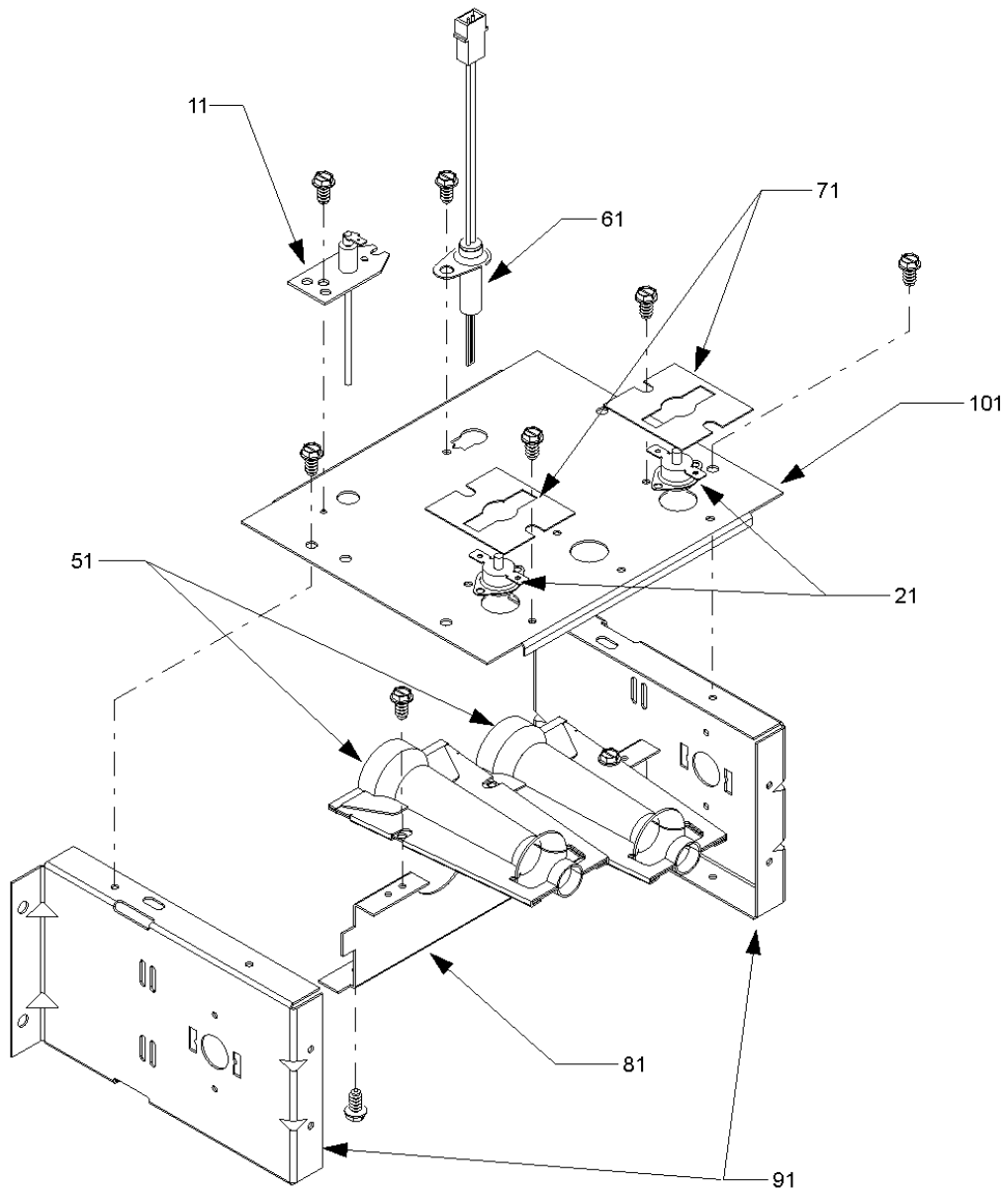
Image 2



Heat Exchanger Assy/Flue Collector Box

Ref Part No:	Description:	Ref. Part No:	Description:
<i>Image 1:</i>		52	4010018S FLUE COLLECTOR BOX 24.5" 3.625 DIA MODA (M14, M15)
11	B1370198 SWITCH, PRIMARY LIMIT 150°F (M7, M12, M13, M14, M15)	62	4053501S CHIMNEY ASSEMBLY
11	B1370187 SWITCH, PRIMARY LIMIT 160°F (M3, M4)	Expanded Model Nomenclature	
11	B1370188 SWITCH, PRIMARY LIMIT 170°F (M5, M6, M8, M9)	<div style="border: 1px solid black; padding: 5px;"> M1 - AMS80453ANAA M2 - AMS80453AXAA M3 - AMS80703ANAA M4 - AMS80703AXAA M5 - AMS80704BNAA M6 - AMS80704BXAA M7 - AMS80903BNAA M8 - AMS80904BNAA M9 - AMS80904BXAA M10 - AMS80905CNAA M11 - AMS80905CXAA M12 - AMS81155CNAA M13 - AMS81155CXAA M14 - AMS81405DNAA M15 - AMS81405DXAA </div>	
11	B1370189 SWITCH, PRIMARY LIMIT 200°F (M10, M11)		
11	B1370190 SWITCH, PRIMARY LIMIT 210°F (M1, M2)		
31	B1282628 GAS VALVE		
41	10716003 ORIFICE (QTY 2)		
61	4021313 SUB ASSY, HEAT EXCHANGER 2 CELL 14" (M1, M2)		
61	4021314 SUB ASSY, HEAT EXCHANGER 3 CELL 14" (M3, M4)		
61	4021315S SUB ASSY, HEAT EXCHANGER 3 CELL 17.5" (M5, M6)		
61	4021316 SUB ASSY, HEAT EXCHANGER 4 CELL 17.5" (M7, M8, M9)		
61	4021317S SUB ASSY, HEAT EXCHANGER 4 CELL 21" (M10, M11)		
61	4021318S SUB ASSY, HEAT EXCHANGER 5 CELL 21" (M12, M13)		
61	4021319 SUB ASSY, HEAT EXCHANGER 6 CELL 24.5" (M14, M15)		
81	B4026005 GAS MANIFOLD 2 CELL (M1, M2)		
81	B4026006 GAS MANIFOLD 3 CELL (M3, M4, M5, M6)		
81	B4026007 GAS MANIFOLD 4 CELL (M7, M8, M9, M10, M11)		
81	B4026008 GAS MANIFOLD 5 CELL (M12, M13, M15)		
81	B4026009 GAS MANIFOLD 6 CELL (M14)		
91	4028000 ORIFICE PLATE 2 CELL (M1, M2)		
91	4028001 ORIFICE PLATE 3 CELL (M3, M4, M5, M6)		
91	4028002 ORIFICE PLATE 4 CELL (M7, M8, M9, M10, M11)		
91	4028003 ORIFICE PLATE 5 CELL (M12, M13, M15)		
91	4028004 ORIFICE PLATE 6 CELL (M14)		
<i>Image 2:</i>			
12	B1392633 GASKET, VENT MOTOR 14" (M1, M2, M3, M4)		
12	B1392634 GASKET, VENT MOTOR 17.5" (M5, M6, M7, M8, M9)		
12	B1392635 GASKET, VENT MOTOR 21" (M10, M11, M12, M13)		
12	B1392636 GASKET, VENT MOTOR 24.5" (M14, M15)		
42	0131M00002S MOTOR, VENT 80+		
52	4010012S FLUE COLLECTOR BOX 14" 1.50 DIA MOD A (M1, M2)		
52	4010013S FLUE COLLECTOR BOX 14" 2.000 DIA MOD A (M3, M4)		
52	4010014S FLUE COLLECTOR BOX 17.5" 2.000 MOD A (M5, M6)		
52	4010015S FLUE COLLECTOR BOX 17.5" 2.000 MOD A (M7, M8, M9)		
52	4010017S FLUE COLLECTOR BOX 21" 2.250 DIA MOD A (M12, M13)		
52	4010016S FLUE COLLECTOR BOX 21", 2" DIA MOD A (M10, M11)		

Burner Box



Burner Box

Ref Part No:	Description:	Ref. Part No:	Description:
<i>Image 1:</i>			
11	0130F00010		FLAME SENSOR
21	B1370145		ROLLOUT SWITCH 300 W/O BRACKET (QTY 2)
51	B4022700		ASSY, INSHOT BURNER 3" (QTY 2)
61	11111701		IGNITOR-SINI
71	2509503		BRACKET, ROLLOUT SWITCH (QTY 2)
81	2513500		BURNER RACK, 2 CELL (M1, M2)
81	2513501		BURNER RACK, 3 CELL (M3, M4, M5, M6)
81	2513502		BURNER RACK, 4 CELL (M7, M8, M9, M10, M11)
81	2513503		BURNER RACK, 5 CELL (M12, M13)
81	2513504		BURNER RACK, 6 CELL (M14, M15)
91	2514000		SIDE PLATE, BURNER BOX (QTY 2)
101	4013010		TOP, BURNER BOX 2 CELL (M1, M2)
101	4013011		TOP, BURNER BOX 3 CELL (M3, M4, M5, M6)
101	4013012		TOP, BURNER BOX 4 CELL (M7, M8, M9, M10, M11)
101	4013013		TOP, BURNER BOX 5 CELL (M12, M13)
101	4013014		TOP, BURNER BOX 6 CELL (M14, M15)
NS	0259F00010P		ASSY, WIRE HARNES IGNITOR 4-PIN

Expanded Model Nomenclature

- M1 - AMS80453ANAA
- M2 - AMS80453AXAA
- M3 - AMS80703ANAA
- M4 - AMS80703AXAA
- M5 - AMS80704BNAA
- M6 - AMS80704BXAA
- M7 - AMS80903BNAA
- M8 - AMS80904BNAA
- M9 - AMS80904BXAA
- M10 - AMS80905CNAA
- M11 - AMS80905CXAA
- M12 - AMS81155CNAA
- M13 - AMS81155CXAA
- M14 - AMS81405DNAA
- M15 - AMS81405DXAA