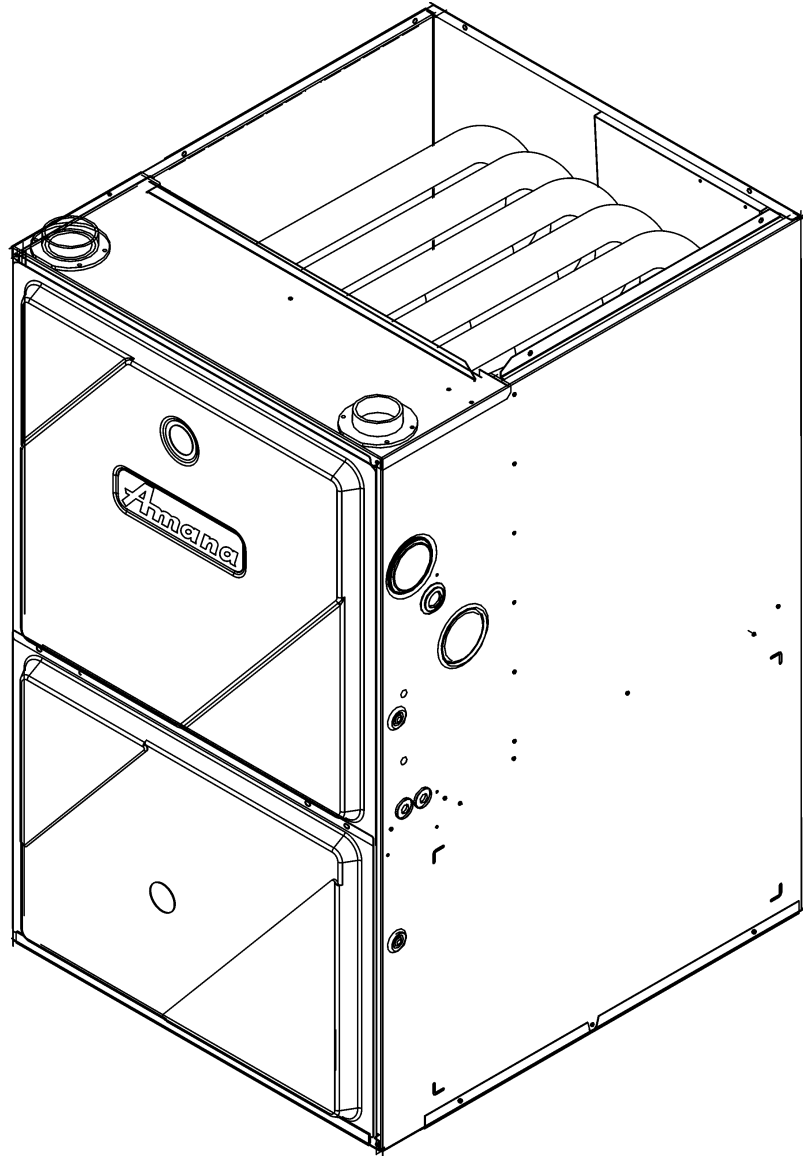


AMH95 Amana® Brand 95% Hybrid Furnace

AMH950453BXAD
AMH950453BXAE
AMH950453BXAF
AMH950703BXAE
AMH950703BXAF
AMH950703BXAG
AMH950704CXAD
AMH950704CXAE
AMH950704CXAF
AMH950904CXAE
AMH950904CXAF
AMH950904CXAG
AMH950905CXAB
AMH950905CXAC
AMH950905DXAD
AMH950905DXAE
AMH951155DXAE
AMH951155DXAF
AMH951155DXAG



Amana is a registered trademark of Maytag Corporation or its related companies and is used under license to Goodman Company, L.P., Houston, TX. All rights reserved.

This manual is to be used by qualified technicians only.

This manual replaces RP-717.

© 2012-2013 Goodman Company, L.P. ♦ 5151 San Felipe, Suite 500 ♦ Houston, TX 77056

Important Information

Index

Functional Parts List	3
Illustration and Parts	4 - 13

Views shown are for parts illustrations only, not servicing procedures

Rev A: additional glue for sealing added to models to meet 2% cabinet leakage standard

Text Codes:

AR - As Required

NA - Not Available

NS - Not Shown

00000000 - See Note

QTY - Quantity Example (QTY 3) (If Quantity not shown, Quantity = 1)

M - Model Example (M1) (If M Code not shown, then part is used on all Models)

Expanded Model Nomenclature:

Example M1 - Model#1 M2 - Model#2 M3 - Model#3

Goodman Company, L.P. is not responsible for personal injury or property damage resulting from improper service. Review all service information before beginning repairs.

Warranty service must be performed by an authorized technician, using authorized factory parts. If service is required after the warranty expires, Goodman Company, L.P. also recommends contacting an authorized technician and using authorized factory parts.

Goodman Company, L.P. reserves the right to discontinue, or change at any time, specifications or designs without notice or without incurring obligations.

For assistance within the U.S.A. contact:

Consumer Affairs Department

Goodman Company, L.P.

7401 Security Way

Houston, Texas 77040

877-254-4729-Telephone

713-863-2382-Facsimile

For assistance outside the U.S.A. contact:

International Division

Goodman Company, L.P.

7401 Security Way

Houston, Texas 77040

713-861-2500-Telephone

713-863-2382-Facsimile

Functional Parts

Part

No: Description:

Expanded Model Nomenclature

10735102	BECKETT BURNER (QTY A/R)
0131F00022	BLOWER MOTOR 1/2 HP, 4 SP, 6 PL (M7, M8, M9, M10, M11, M12)
0131F00020	BLOWER MOTOR 1/3 HP, 4 SP, 6 PL (M1, M2, M3, M4, M5, M6)
10759415	BLOWER MOTOR 3/4 HP, 4 SP, 8 PL (M13, M14, M15, M16, M17, M18, M19)
D6723311	BLOWER WHEEL (M13, M14, M15, M16, M17, M18, M19)
B1368047	BLOWER WHEEL 10 X 10 (M7, M8, M9, M10, M11, M12)
B1368058	BLOWER WHEEL 10 X 8 (M1, M2, M3, M4, M5, M6)
CAP125000370VA	CAPACITOR 12.5/370V (M1, M2, M3, M4, M5, M6)
CAP150000370VA	CAPACITOR 15/370V (M13, M14, M15, M16, M17, M18, M19)
CAP200000370VA	CAPACITOR 20/370V (M7, M8, M9, M10, M11, M12)
0130F00010	FLAME SENSOR
0257F00143	HEAT EXCHANGER ASSY 2B (M1, M2, M3)
0257F00147	HEAT EXCHANGER ASSY 3B (M7, M8, M9)
0257F00172	HEAT EXCHANGER ASSY 3B (M4, M5, M6)
0257F00173	HEAT EXCHANGER ASSY 4B (M10, M11, M12, M13, M14)
0257F00140	HEAT EXCHANGER ASSY 4B (M15, M16)
0257F00174	HEAT EXCHANGER ASSY 5B (M17, M18, M19)
0130F00008	IGNITOR-SINI 17 SEC
0130F00105	LIMIT SWITCH (M13, M14)
10123519	MANUAL RESET LIMIT (M17, M18, M19)
10123517	MANUAL RESET LIMIT (M13, M14)
10123535	MANUAL RESET LIMIT-RED (M1, M2, M3, M4, M5, M6, M7, M8, M9, M10, M11, M12, M15, M16)
10123533	MANUAL RESET LIMIT-YELLOW (M1, M2, M3, M4, M5, M6, M7, M8, M9, M10, M11, M12, M15, M16, M17, M18, M19)
PCBBF132	PCB 2STAGE HYBRIDE FURNACE
0130F00110	PRESSURE SWITCH - GREEN (M13, M14)
0130F00001P	PRESSURE SWITCH-GRAY (M10, M11, M12)
0130F00002P	PRESSURE SWITCH-OLIVE (M4, M5, M6)
0130F00000P	PRESSURE SWITCH-SUNGOLD (M1, M2, M3, M7, M8, M9, M15, M16, M17, M18, M19)
20197308	PRESSURE SWITCH-YELLOW
20162903	PRIMARY LIMIT - BLUE (M4, M5, M6, M7, M8, M9, M15, M16, M17, M18, M19)
0130F00038	PRIMARY LIMIT - LT BLUE 120° (M13, M14)
20162904	PRIMARY LIMIT-TEMPERATURE CONTROL (M1, M2, M3, M10, M11, M12)
B1141605	TRANSFORMER 120V TO 24V, 40 VA
0151M00028	VALVE,GAS(HW)VR92

M1 - AMH950453BXAD
M2 - AMH950453BXAE
M3 - AMH950453BXAF
M4 - AMH950703BXAE
M5 - AMH950703BXAF
M6 - AMH950703BXAG
M7 - AMH950704CXAD
M8 - AMH950704CXAE
M9 - AMH950704CXAF
M10 - AMH950904CXAE
M11 - AMH950904CXAF
M12 - AMH950904CXAG
M13 - AMH950905CXAB
M14 - AMH950905CXAC
M15 - AMH950905DXAD
M16 - AMH950905DXAE
M17 - AMH951155DXAE
M18 - AMH951155DXAF
M19 - AMH951155DXAG

SPECIAL PARTS

0161M00003P	AMANA NAMEPLATE
-------------	-----------------

Cabinet

Image 1

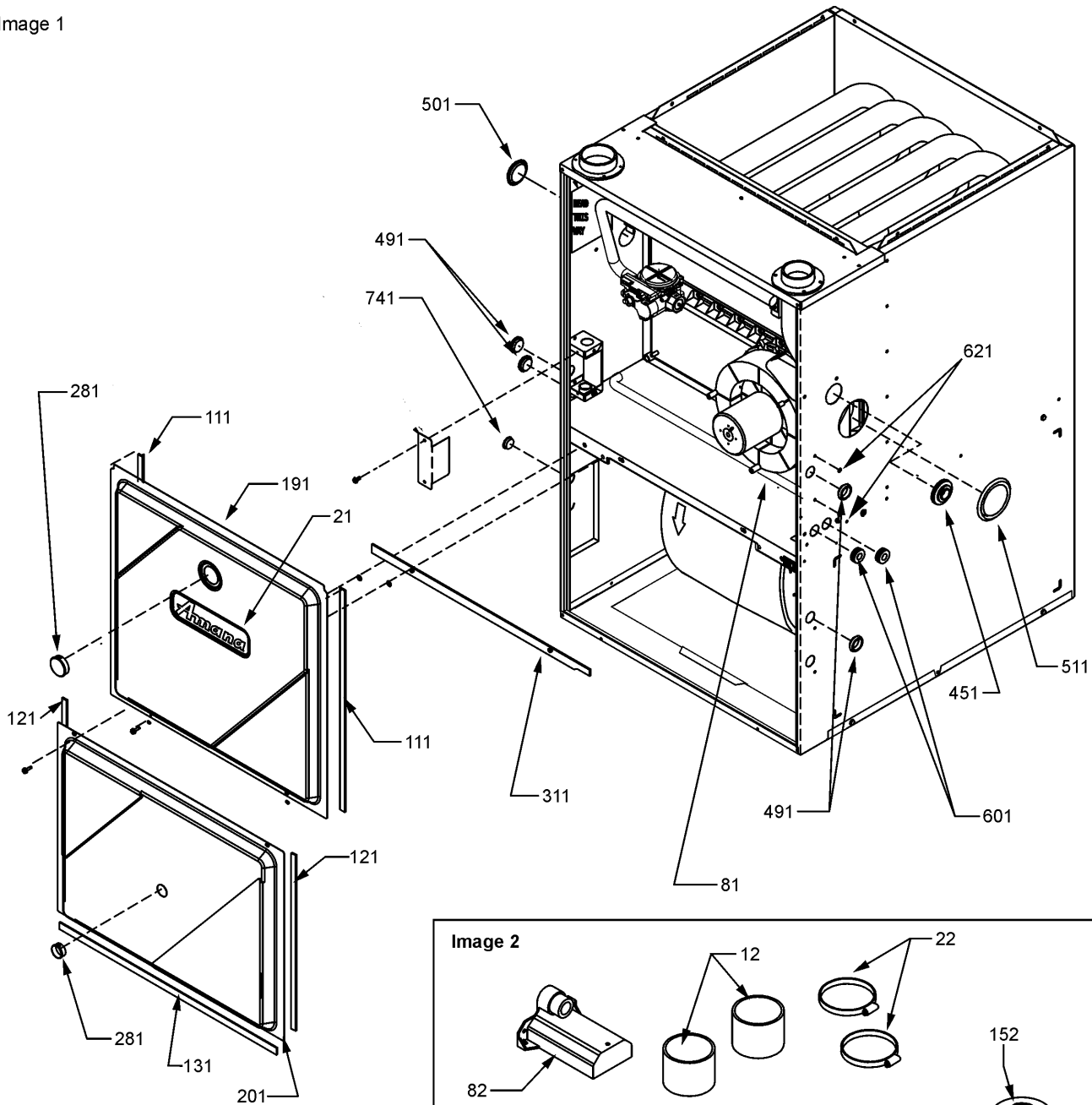
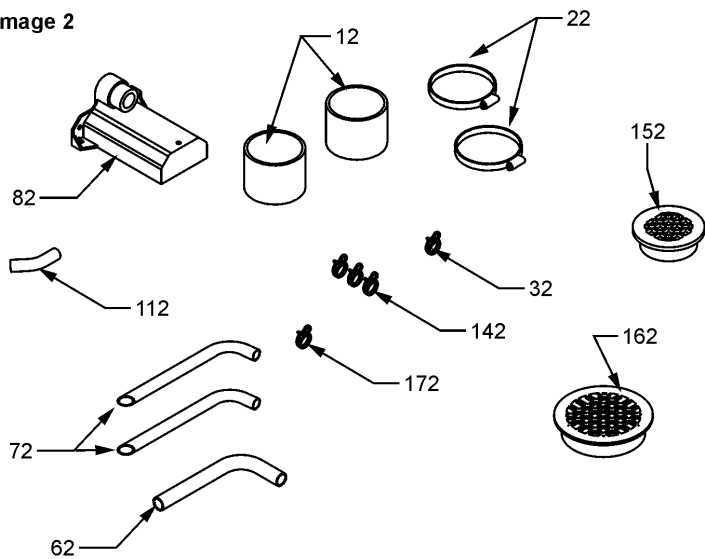


Image 2



Cabinet

**Ref. Part
No: No:**

Description:

**Ref. Part
No: No:**

Description:

Image 1:

21	0161M00003P	AMANA NAMEPLATE
81	20201902	DRAIN HOSE
111	20179308	GASKET (QTY 2)
121	20179311	GASKET
131	20179312	GASKET (M7, M8, M9, M10, M11, M12, M13, M14)
131	20179313	GASKET (M15, M16, M17, M18, M19)
131	20215701	GASKET-FA (M1, M2, M3, M4, M5, M6)
191	0121F00066LG	ACCESS DOOR (M1, M2, M3, M4, M5, M6)
191	0121F00067LG	ACCESS DOOR (M7, M8, M9, M10, M11, M12, M13, M14)
191	0121F00068LG	ACCESS DOOR (M15, M16, M17, M18, M19)
201	0121F00063LG	BLOWER DOOR (M1, M2, M3, M4, M5, M6)
201	0121F00064LG	BLOWER DOOR (M7, M8, M9, M10, M11, M12, M13, M14)
201	0121F00065LG	BLOWER DOOR (M15, M16, M17, M18, M19)
281	B1392139	VIEW PORT BUSHING-BLOWER DOOR (QTY 2)
311	22320001	DECK GASKET (M1, M2, M3, M4, M5, M6)
311	22320002	DECK GASKET (M7, M8, M9, M10, M11, M12, M13, M14)
311	22320003	DECK GASKET (M15, M16, M17, M18, M19)
451	M0501301	PIPE GROMMET
491	M0570808	BUTTON PLUG (QTY 4)
501	M0570806	BUTTON PLUG
511	M0570807	BUTTON PLUG
601	A4691701	GROMMET (QTY 2)
621	M0310345	BUTTON PLUG (QTY 2)
741	B1392104	UNIVERSAL BUSHING UB 875
NS	10195517	STNDPIPE BAG ASSY

Image 2:

12	10254303	RUBBER COUPLING
22	0163M00049	HOSE CLAMP (QTY 2)
32	M0119207	HOSE CLAMP
62	20201901	DRAIN HOSE
72	20201802	DRAIN TUBE (QTY 2)
82	20171701	DRAIN TRAP
112	20214202	DRAIN-ANGLE
142	M0119205	HOSE CLAMP (QTY 3)
152	B2810816	2" MESH INSERT
162	B2810814	3" MESH INSERT
172	M0119206	HOSE CLAMP

Expanded Model Nomenclature

M1 - AMH950453BXAD
M2 - AMH950453BXAE
M3 - AMH950453BXAF
M4 - AMH950703BXAE
M5 - AMH950703BXAF
M6 - AMH950703BXAG
M7 - AMH950704CXAD
M8 - AMH950704CXAE
M9 - AMH950704CXAF
M10 - AMH950904CXAE
M11 - AMH950904CXAF
M12 - AMH950904CXAG
M13 - AMH950905CXAB
M14 - AMH950905CXAC
M15 - AMH950905DXAD
M16 - AMH950905DXAE
M17 - AMH951155DXAE
M18 - AMH951155DXAF
M19 - AMH951155DXAG

Blower Assembly

Image 1

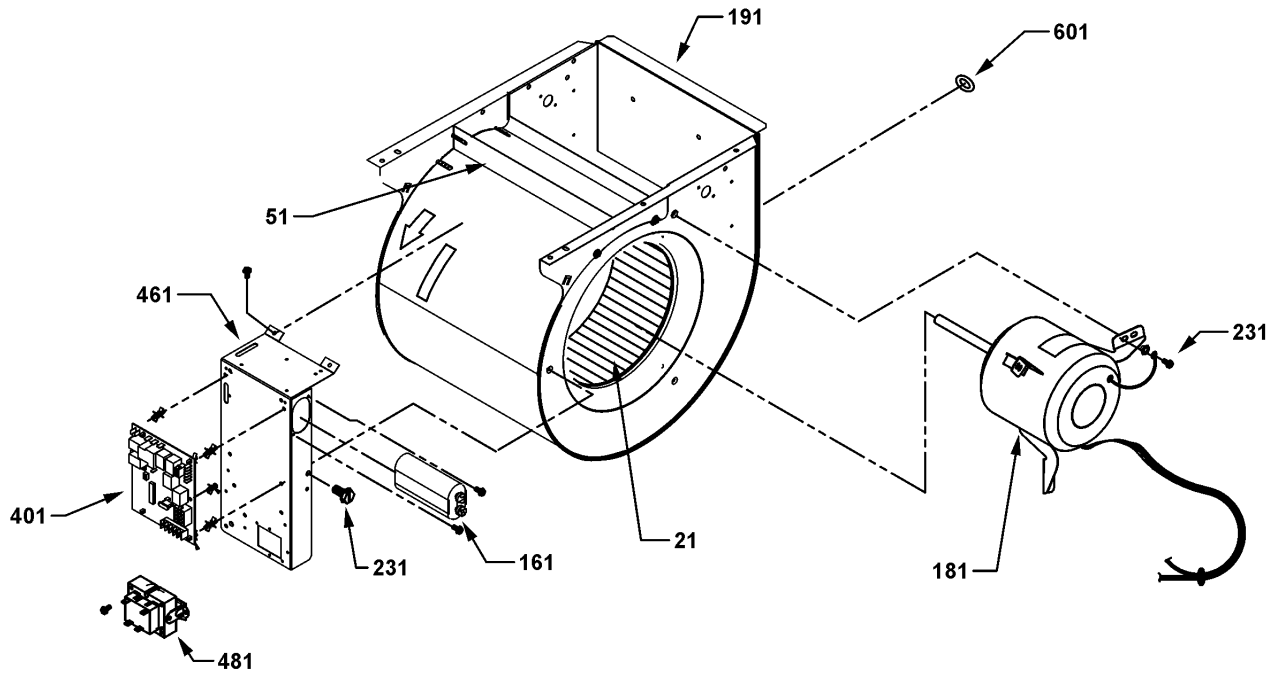
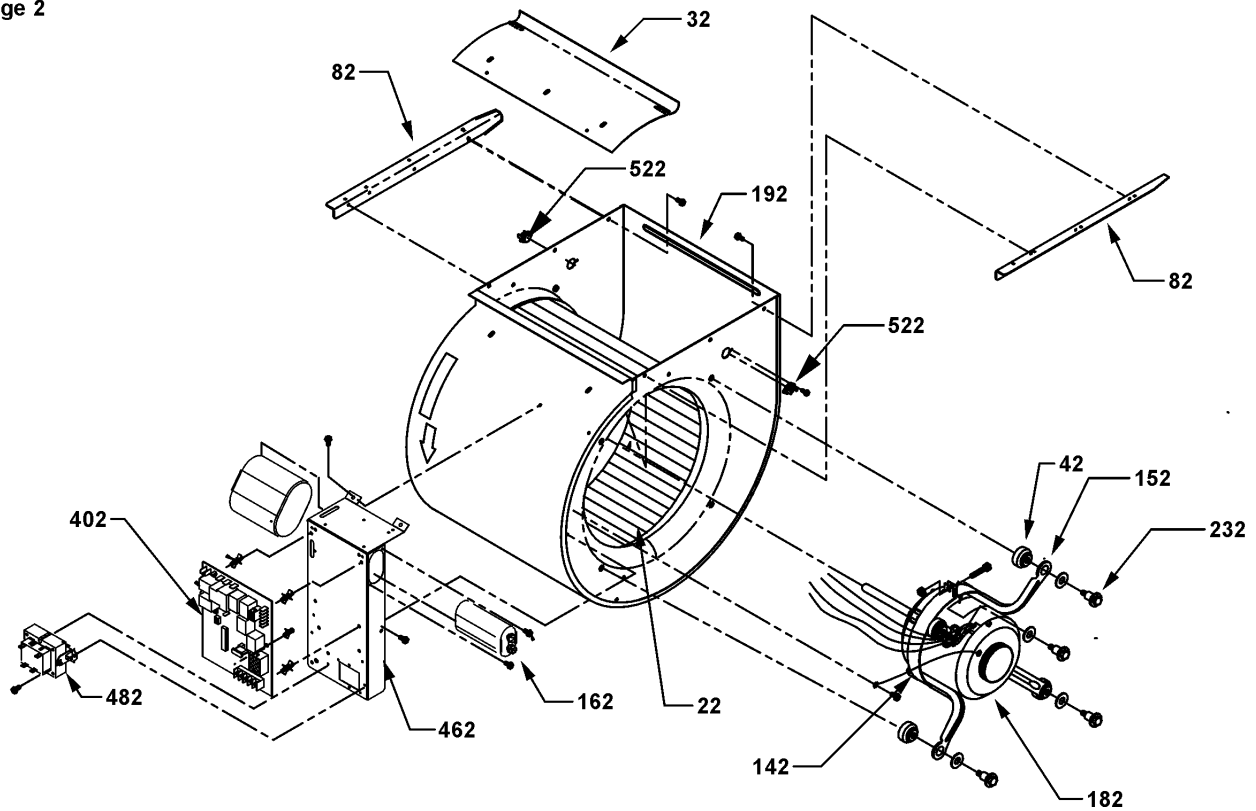


Image 2



Blower Assembly

Ref. Part
No: No:

Description:

Ref. Part
No: No:

Description:

Image 1:

21	B1368047	BLOWER WHEEL 10 X 10 (M7, M8, M9, M10, M11, M12)
21	B1368058	BLOWER WHEEL 10 X 8 (M1, M2, M3, M4, M5, M6)
51	764741F	BLOWER BLOCK-OFF 10 X 10 (M7, M8, M9, M10, M11, M12)
51	764740	BLWR BLK-OFF,10X8 (M1, M2, M3, M4, M5, M6)
161	CAP125000370VA	CAPACITOR 12.5/370V (M1, M2, M3, M4, M5, M6)
161	CAP200000370VA	CAPACITOR 20/370V (M7, M8, M9, M10, M11, M12)
181	0131F00022	BLOWER MOTOR 1/2 HP, 4 SP, 6 PL (M7, M8, M9, M10, M11, M12)
181	0131F00020	BLOWER MOTOR 1/3 HP, 4 SP, 6 PL (M1, M2, M3, M4, M5, M6)
191	0271F00003P	BLOWER ASSY 10X10 UF (M7, M8, M9, M10, M11, M12)
191	0271F00000P	BLOWER HOUSING ASSY 10 X 8 (M1, M2, M3, M4, M5, M6)
231	M0250558	TC SCREW (M1, M2, M3, M4, M5, M6, M7, M8, M9, M10, M11, M12)
401	PCBBF132	PCB 2STAGE HYBRIDE FURNACE (M1, M2, M3, M4, M5, M6, M7, M8, M9, M10, M11, M12)
461	0121F00025P	CONTROL BRACKET (M1, M2, M3, M4, M5, M6, M7, M8, M9, M10, M11, M12)
481	B1141605	TRANSFORMER 120V TO 24V, 40 VA (M1, M2, M3, M4, M5, M6, M7, M8, M9, M10, M11, M12)
601	B1392021	PLASTIC PLUG, 1" (2713-BLK) (M1, M2, M3, M4, M5, M6, M7, M8, M9, M10, M11, M12)
NS	0159F0000	HARNESS-WIRING (M1, M4, M7, M10, M15, M17)
NS	0159F00018	WIRING HARNESS (M2, M3, M5, M6, M8, M9, M11, M12, M16, M18, M19)

Expanded Model Nomenclature

M1 - AMH950453BXAD
M2 - AMH950453BXAE
M3 - AMH950453BXAF
M4 - AMH950703BXAE
M5 - AMH950703BXAF
M6 - AMH950703BXAG
M7 - AMH950704CXAD
M8 - AMH950704CXAE
M9 - AMH950704CXAF
M10 - AMH950904CXAE
M11 - AMH950904CXAF
M12 - AMH950904CXAG
M13 - AMH950905CXAB
M14 - AMH950905CXAC
M15 - AMH950905DXAD
M16 - AMH950905DXAE
M17 - AMH951155DXAE
M18 - AMH951155DXAF
M19 - AMH951155DXAG

Image 2:

22	D6723311	BLOWER WHEEL (M13, M14, M15, M16, M17, M18, M19)
32	C6121807	BLOWER CUT-OFF (M13, M14, M15, M16, M17, M18, M19)
42	A4002702	BLOWER MOTOR GROMMET (M13, M14, M15, M16, M17, M18, M19)
82	20175101	BLOWER SIDE RAIL (M13, M14, M15, M16, M17, M18, M19)
142	10441601	MOTOR MOUNT BAND (M13, M14, M15, M16, M17, M18, M19)
152	10441501	MOTOR MOUNT ARM (M13, M14, M15, M16, M17, M18, M19)
162	CAP150000370VA	CAPACITOR 15/370V (M13, M14, M15, M16, M17, M18, M19)
182	10759415	BLOWER MOTOR 3/4 HP, 4 SP, 8 PL (M13, M14, M15, M16, M17, M18, M19)
192	0271F00047	BLOWER HOUSING ASSY 11 X 10 (M13, M14)
192	0271F00048	BLOWER HOUSING ASSY 11 X 10 (M15, M16, M17, M18, M19)
232	M0221461	TC SCREW (M13, M14, M15, M16, M17, M18, M19)
402	PCBBF132	PCB 2STAGE HYBRIDE FURNACE (M13, M14, M15, M16, M17, M18, M19)
462	0121F00025P	CONTROL BRACKET (M13, M14, M15, M16, M17, M18, M19)
482	B1141605	TRANSFORMER 120V TO 24V, 40 VA (M13, M14, M15, M16, M17, M18, M19)
522	0130F00038	PRIMARY LIMIT - LT BLUE 120° (M13, M14)
NS	0159F00010	HARNESS-WIRING (M13, M14)
NS	0259F00024	WIRE HARNESS-BLOWER (M13, M14)

Chassis

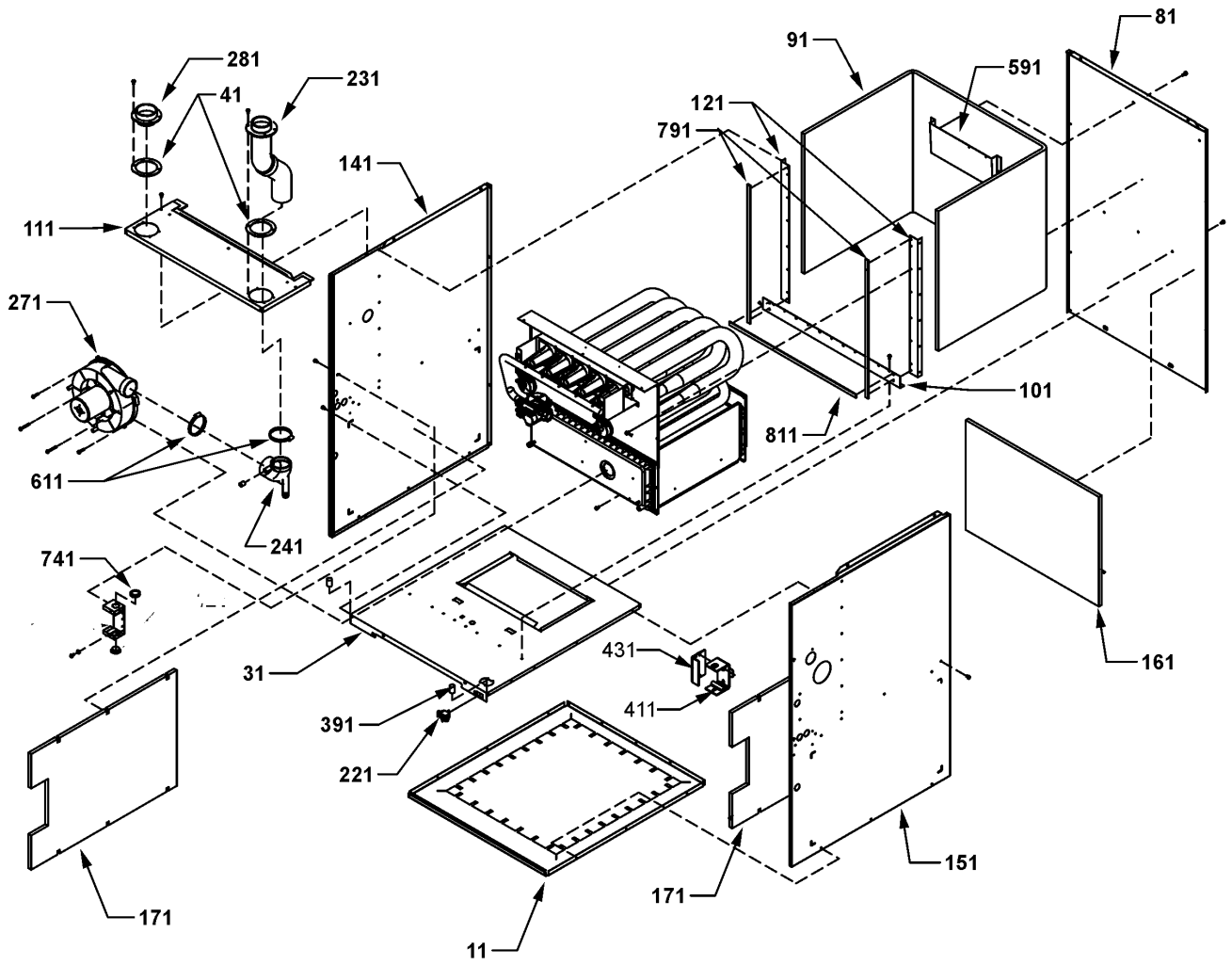
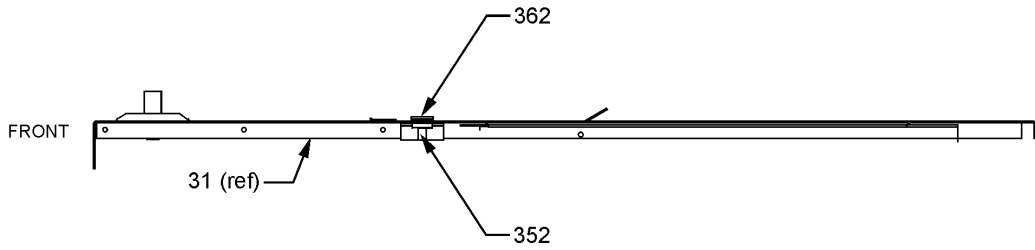


Image 2



Chassis

Ref. Part No: No:	Description:	Ref. Part No: No:	Description:
-------------------	--------------	-------------------	--------------

Image 1:

11	0121F00050DG	BASE PAN (M1, M2, M3, M4, M5, M6)
11	0121F00051DG	BASE PAN (M7, M8, M9, M10, M11, M12, M13, M14)
11	0121F00052DG	BASE PAN (M15, M16, M17, M18, M19)
31	0121F00043	BLOWER DECK (M1, M2, M3, M4, M5, M6)
31	0121F00045	BLOWER DECK (M7, M8, M9, M10, M11, M12)
31	0121F00048	BLOWER DECK (M15, M16, M17, M18, M19)
31	0121F00246	BLOWER DECK (M13, M14)
41	0154F00000P	COIL GASKET (M1, M2, M3, M4, M5, M6)
41	0154F00001P	COIL GASKET (M7, M8, M9, M10, M11, M12, M13, M14)
41	0154F00002P	COIL GASKET (M15, M16, M17, M18, M19)
81	20273208	BACK PANEL (M1, M2, M3, M4, M5, M6)
81	20273209	BACK PANEL (M7, M8, M9, M10, M11, M12, M13, M14)
81	20273211	BACK PANEL (M15, M16, M17, M18, M19)
91	C6415909	HEAT EXCHANGER INSULATION (M15, M16, M17, M18, M19)
91	C6415910	HEAT EXCHANGER INSULATION (M1, M2, M3, M4, M5, M6)
91	C6415911	HEAT EXCHANGER INSULATION (M7, M8, M9, M10, M11, M12, M13, M14)
101	0121F00018P	DECK RAIL (M1, M2, M3, M4, M5, M6)
101	0121F00019P	DECK RAIL (M7, M8, M9, M10, M11, M12, M13, M14)
101	20191303	DECK RAIL (M15, M16, M17, M18, M19)
111	0270F00100P	TOP COVER ASSY (M1, M2, M3, M4, M5, M6)
111	0270F00101P	TOP COVER ASSY (M7, M8, M9, M10, M11, M12, M13, M14)
111	0270F00102P	TOP COVER ASSY (M15, M16, M17, M18, M19)
121	20191602	SIDE RAIL (M1, M2, M3, M4, M5, M6)
121	20191603	SIDE RAIL (M7, M8, M9, M10, M11, M12, M13, M14)
121	20191604	SIDE RAIL (M15, M16, M17, M18, M19)
141	0121F00429DG	PANEL- SIDE LH UF FUR PNT
151	0121F00428DG	PANEL- SIDE RH UF FUR PNT
161	20006601	INSULATION (M1, M2, M3, M4, M5, M6)
161	20006602	INSULATION (M7, M8, M9, M10, M11, M12, M13, M14)
161	20006603	INSULATION (M15, M16, M17, M18, M19)
171	20243503	SIDE INSULATION (QTY 2)
221	B1370818	INTERLOCK SWITCH
231	22309501	FLUE PIPE
241	20171802	ELBOW
271	0171M00000	BLOWER-ID
281	20049701	FA COUPLING
391	M0275521	PLASTIC SEALER (QTY 0)
411	0161F00012	JUNCTION BOX-PLA
431	0161F00013	JUNCTION BOX-LID
591	11165107	ID BLOWER SHIELD
611	0163M00049	HOSE CLAMP (QTY 2)
741	B1392104	UNIVERSAL BUSHING UB 875
791	20194608	GASKET (QTY 2)
811	20194605	GASKET (M1, M2, M3, M4, M5, M6)
811	20194606	GASKET (M7, M8, M9, M10, M11, M12, M13, M14)
811	20194607	GASKET (M15, M16, M17, M18, M19)

Expanded Model Nomenclature

M1 - AMH950453BXAD
M2 - AMH950453BXAE
M3 - AMH950453BXAF
M4 - AMH950703BXAE
M5 - AMH950703BXAF
M6 - AMH950703BXAG
M7 - AMH950704CXAD
M8 - AMH950704CXAE
M9 - AMH950704CXAF
M10 - AMH950904CXAE
M11 - AMH950904CXAF
M12 - AMH950904CXAG
M13 - AMH950905CXAB
M14 - AMH950905CXAC
M15 - AMH950905DXAD
M16 - AMH950905DXAE
M17 - AMH951155DXAE
M18 - AMH951155DXAF
M19 - AMH951155DXAG

Image 2:

352	10861101	AUXILIARY LIMIT BRACKET (M1, M2, M3, M4, M5, M6, M7, M8, M9, M10, M11, M12, M15, M16, M17, M18, M19)
362	10123519	MANUAL RESET LIMIT (M17, M18, M19)
362	10123535	MANUAL RESET LIMIT-RED (M1, M2, M3, M4, M5, M6, M7, M8, M9, M10, M11, M12, M15, M16)

Manifold / Gas Valve

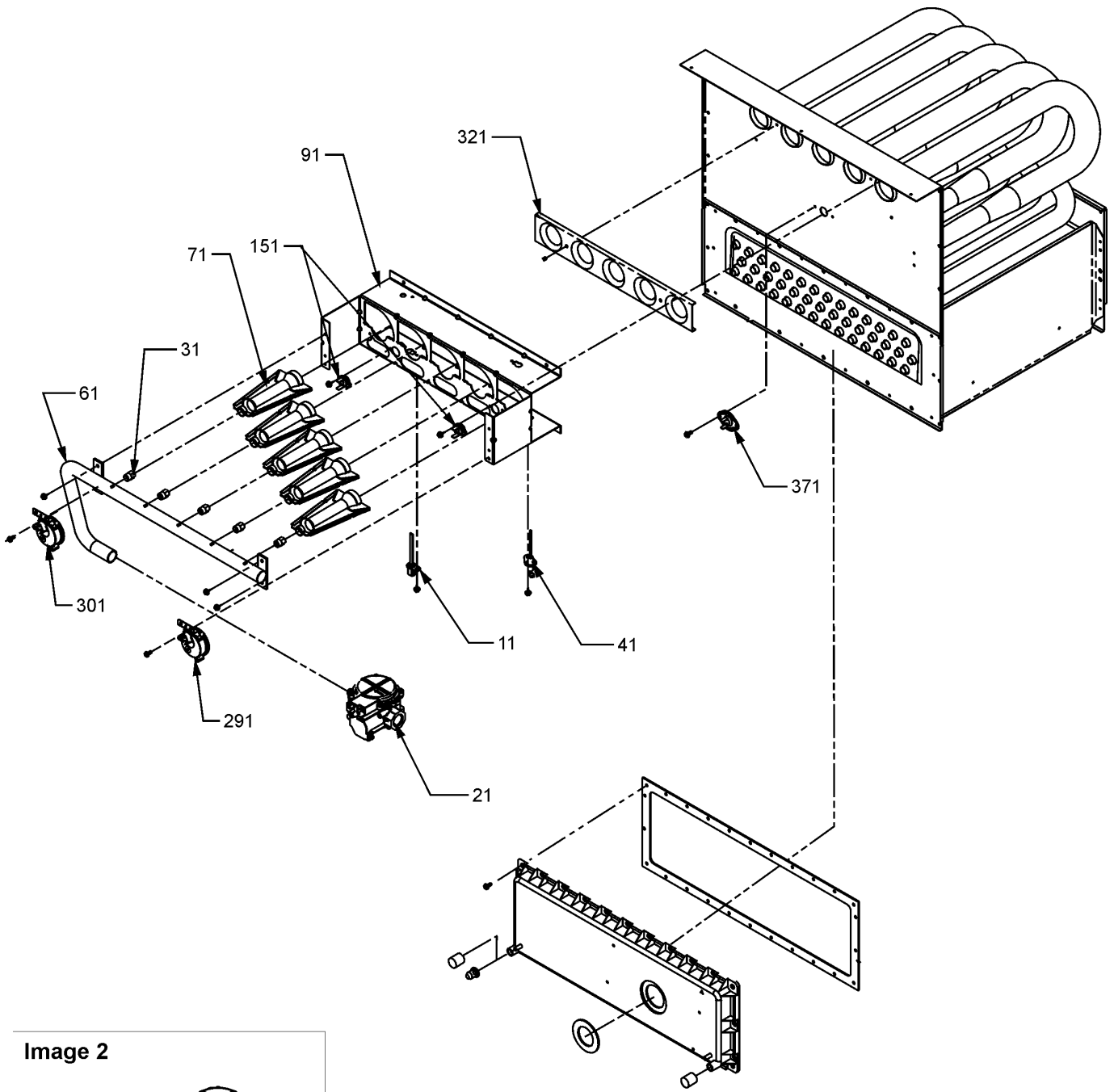
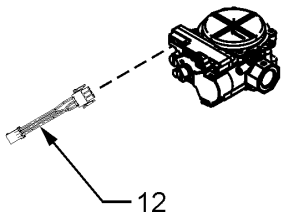


Image 2



Manifold / Gas Valve

Ref. Part No: No:	Description:	Ref. Part No: No:	Description:
-------------------	--------------	-------------------	--------------

Image 1:

11	0130F00008	IGNITOR-SINI 17 SEC
21	0151M00028	VALVE,GAS(HW)VR92
31	10716003	ORIFICE (QTY A/R)
41	0130F00010	FLAME SENSOR
61	20196401	MANIFOLD - 2 BRNR (M1, M2, M3)
61	20196402	MANIFOLD - 3 BRNR (M4, M5, M6, M7, M8, M9)
61	20196403	MANIFOLD - 4 BRNR (M10, M11, M12, M13, M14, M15, M16)
61	20196404	MANIFOLD - 5 BRNR (M17, M18, M19)
71	10735102	BECKETT BURNER (QTY A/R)
91	20190410	BURNER BRACKET 2B (M1, M2, M3)
91	20190411	BURNER BRACKET 3B (M4, M5, M6, M7, M8, M9)
91	20190412	BURNER BRACKET 4B (M10, M11, M12, M13, M14, M15, M16)
91	20190413	BURNER BRACKET 5B (M17, M18, M19)
151	10123517	MANUAL RESET LIMIT (M13, M14)
151	10123533	MANUAL RESET LIMIT-YELLOW (M1, M2, M3, M4, M5, M6, M7, M8, M9, M10, M11, M12, M15, M16, M17, M18, M19)
291	0130F00110	PRESSURE SWITCH - GREEN (M13, M14)
291	0130F00001P	PRESSURE SWITCH-GRAY (M10, M11, M12)
291	0130F00002P	PRESSURE SWITCH-OLIVE (M4, M5, M6)
291	0130F00000P	PRESSURE SWITCH-SUNGOLD (M1, M2, M3, M7, M8, M9, M15, M16, M17, M18, M19)
301	20197308	PRESSURE SWITCH-YELLOW
321	11072201	ORIFICE SHIELD (M1, M2, M3)
321	11072202	ORIFICE SHIELD (M4, M5, M6, M7, M8, M9)
321	11072203	ORIFICE SHIELD (M10, M11, M12, M13, M14, M15, M16)
321	11072204	ORIFICE SHIELD (M17, M18, M19)
371	0130F00105	LIMIT SWITCH (M13, M14)
371	20162903	PRIMARY LIMIT - BLUE (M4, M5, M6, M7, M8, M9, M15, M16, M17, M18, M19)
371	20162904	PRIMARY LIMIT-TEMPERATURE CONTROL (M1, M2, M3, M10, M11, M12)
NS	0164M00002	PRESSURE SWITCH HOSE (QTY 2)
NS	0164M00009	PRESSURE SWITCH HOSE
NS	0164M00011	PRESSURE SWITCH HOSE (M1, M2, M3)
NS	0164M00012	PRESSURE SWITCH HOSE (M4, M5, M6)
NS	0164M00013	PRESSURE SWITCH HOSE (M10, M11, M12, M13, M14)
NS	0164M00014	PRESSURE SWITCH HOSE (M15, M16, M17, M18, M19)
NS	0164M00020	PRESSURE SWITCH HOSE (M7, M8, M9)

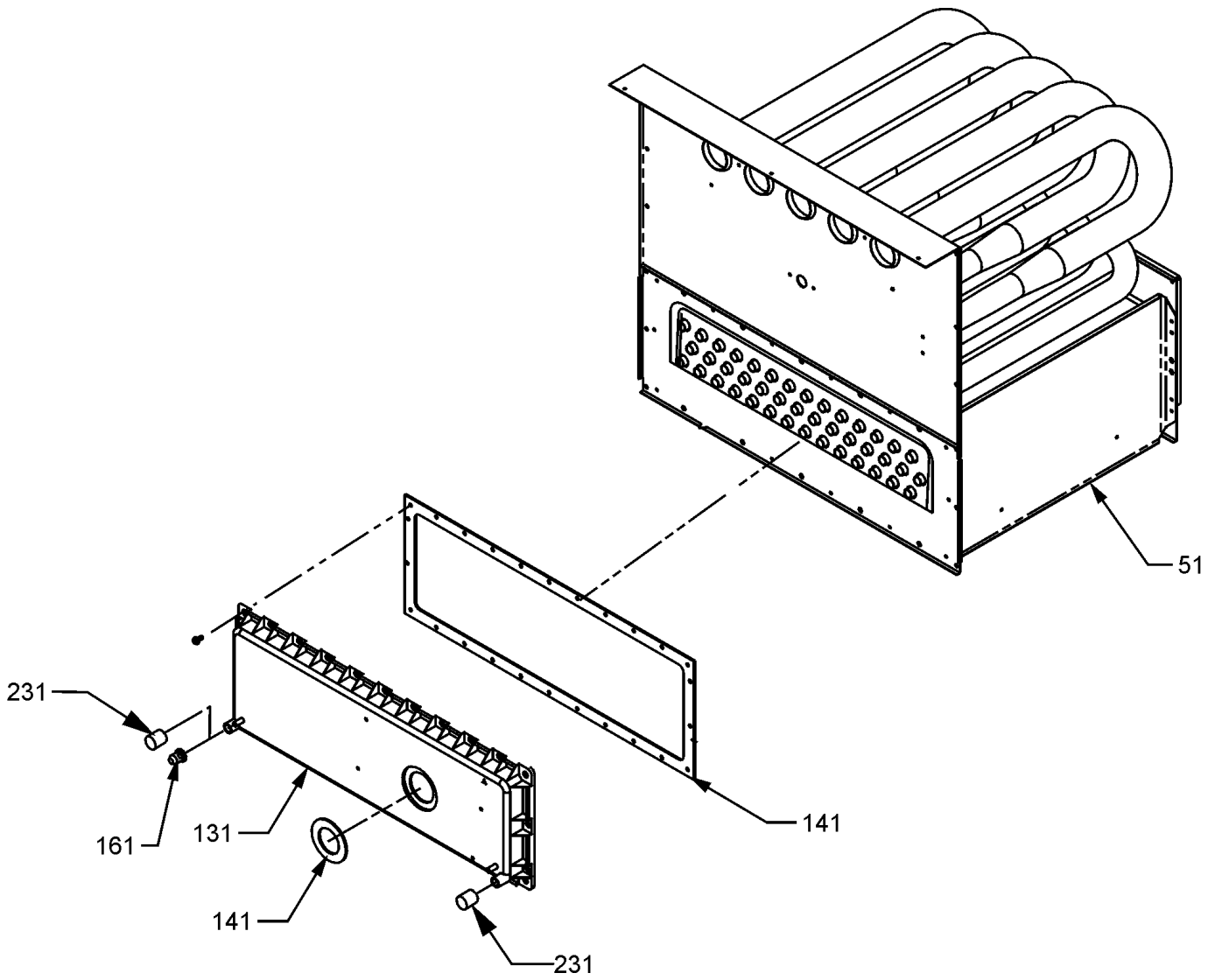
Image 2:

12	0259M00004	WIRE HARNESS, ADAPTOR (M1, M4, M7, M10, M15, M17)
----	------------	---

Expanded Model Nomenclature

M1 - AMH950453BXAD
M2 - AMH950453BXAE
M3 - AMH950453BXAF
M4 - AMH950703BXAE
M5 - AMH950703BXAF
M6 - AMH950703BXAG
M7 - AMH950704CXAD
M8 - AMH950704CXAE
M9 - AMH950704CXAF
M10 - AMH950904CXAE
M11 - AMH950904CXAF
M12 - AMH950904CXAG
M13 - AMH950905CXAB
M14 - AMH950905CXAC
M15 - AMH950905DXAD
M16 - AMH950905DXAE
M17 - AMH951155DXAE
M18 - AMH951155DXAF
M19 - AMH951155DXAG

Heat Exchanger



Heat Exchanger

Ref. Part No:	Part No:	Description:	Ref. Part No:	Part No:	Description:
---------------	----------	--------------	---------------	----------	--------------

Image 1:

51	0257F00143	HEAT EXCHANGER ASSY 2B (M1, M2, M3)
51	0257F00147	HEAT EXCHANGER ASSY 3B (M7, M8, M9)
51	0257F00172	HEAT EXCHANGER ASSY 3B (M4, M5, M6)
51	0257F00140	HEAT EXCHANGER ASSY 4B (M15, M16)
51	0257F00173	HEAT EXCHANGER ASSY 4B (M10, M11, M12, M13, M14)
51	0257F00174	HEAT EXCHANGER ASSY 5B (M17, M18, M19)
131	20170804A	FRONT COVER (M1, M2, M3)
131	20170806A	FRONT COVER (M4, M5, M6)
131	20170901A	FRONT COVER (M10, M11, M12, M13, M14)
131	20170905A	FRONT COVER (M7, M8, M9)
131	20171003A	FRONT COVER (M15, M16)
131	20171004A	FRONT COVER (M17, M18, M19)
141	0154F00000P	COIL GASKET (M1, M2, M3, M4, M5, M6)
141	0154F00001P	COIL GASKET (M7, M8, M9, M10, M11, M12, M13, M14)
141	0154F00002P	COIL GASKET (M15, M16, M17, M18, M19)
161	M0326804	TUBE PLUG
231	A1781105	CAP-VINYL .500 (QTY 2)

Expanded Model Nomenclature

- M1 - AMH950453BXAD
- M2 - AMH950453BXAE
- M3 - AMH950453BXAF
- M4 - AMH950703BXAE
- M5 - AMH950703BXAF
- M6 - AMH950703BXAG
- M7 - AMH950704CXAD
- M8 - AMH950704CXAE
- M9 - AMH950704CXAF
- M10 - AMH950904CXAE
- M11 - AMH950904CXAF
- M12 - AMH950904CXAG
- M13 - AMH950905CXAB
- M14 - AMH950905CXAC
- M15 - AMH950905DXAD
- M16 - AMH950905DXAE
- M17 - AMH951155DXAE
- M18 - AMH951155DXAF
- M19 - AMH951155DXAG