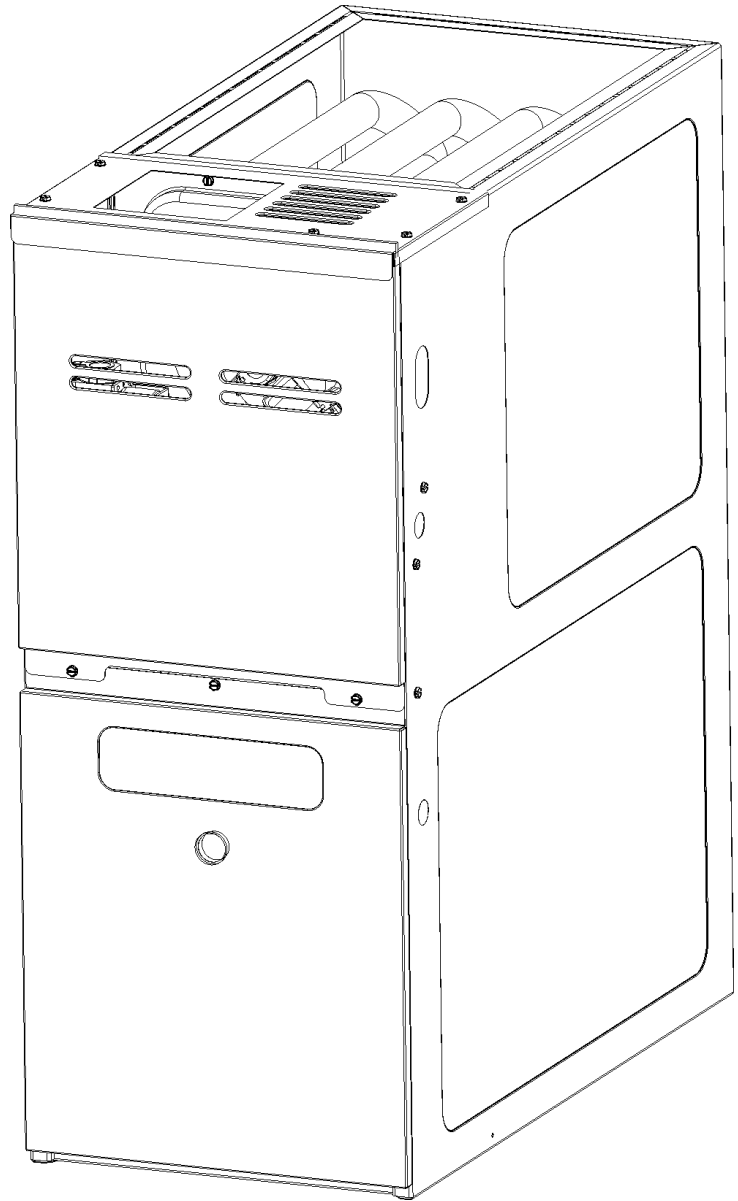


## AMH 80% Upflow Hybrid Furnace

AMH80453AXCA  
AMH80453AXCB  
AMH80453AXCC  
AMH80703AXCA  
AMH80703AXCB  
AMH80703AXCC  
AMH80704BXCA  
AMH80704BXCB  
AMH80704BXCC  
AMH80903BXCA  
AMH80903BXCB  
AMH80903BXCC  
AMH80904BXCA  
AMH80904BXCB  
AMH80904BXCC  
AMH80905CXCA  
AMH80905CXCB  
AMH80905CXCC  
AMH81155CXCA  
AMH81155CXCB  
AMH81155CXCC  
AMH81405DXCA  
AMH81405DXCB  
AMH81405DXCC  
AMH81405DXCE



Amana is a registered trademark of Maytag Corporation or its related companies and is used under license to Goodman Company, L.P., Houston, TX. All rights reserved.

This manual is to be used by qualified technicians only.

This manual replaces RP-543B.

© 2009-2010,2013 Goodman Company, L.P. ♦ 5151 San Felipe St., Suite 500 ♦ Houston, TX 77056

# Important Information

---

## Index

Functional Parts List .....	3
Illustration and Parts .....	4 - 9

*Views shown are for parts illustrations only, not servicing procedures.*

### Text Codes:

AR - As Required

NA - Not Available

NS - Not Shown

00000000 - See Note

QTY - Quantity Example (QTY 3) (If Quantity not shown, Quantity = 1)

M - Model Example (M1) (If M Code not shown, then part is used on all Models)

### Expanded Model Nomenclature:

Example M1 - Model#1 M2 - Model#2 M3 - Model#3
---

Goodman Company, L.P. is not responsible for personal injury or property damage resulting from improper service. Review all service information before beginning repairs.

Warranty service must be performed by an authorized technician, using authorized factory parts. If service is required after the warranty expires, Goodman Company, L.P. also recommends contacting an authorized technician and using authorized factory parts.

Goodman Company, L.P. reserves the right to discontinue, or change at any time, specifications or designs without notice or without incurring obligations.

For assistance within the U.S.A. contact:

Consumer Affairs Department  
Goodman Company, L.P.  
7401 Security Way  
Houston, Texas 77040  
877-254-4729-Telephone  
713-863-2382-Facsimile

For assistance outside the U.S.A. contact:

International Division  
Goodman Company, L.P.  
7401 Security Way  
Houston, Texas 77040  
713-861-2500-Telephone  
713-863-2382-Facsimile

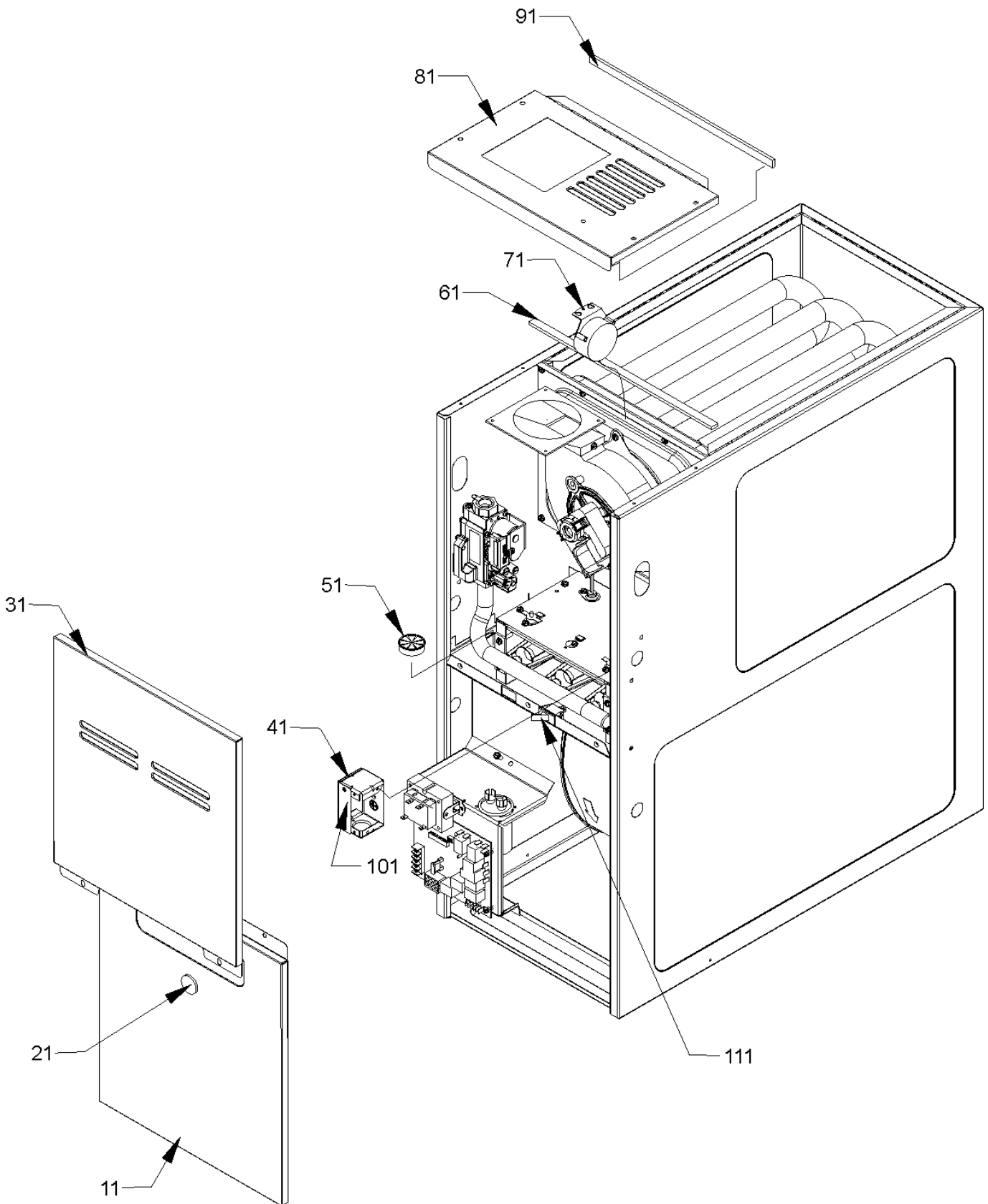
# Functional Parts

## Part

## No: Description:

Part No:	Description:	Part No:	Description:																									
0131F00022	BLOWER MOTOR 1/2 HP, 4 SP, 6 PL (M7, M8, M9, M13, M14, M15, M16, M17, M18, M19, M20, M21)	0151M00028	VALVE,GAS(HW)VR92 (M3, M6, M9, M12, M15, M18, M21, M24, M25)																									
0131F00020	BLOWER MOTOR 1/3 HP, 4 SP, 6 PL (M10, M11, M12)	0131M00002	VENT MOTOR																									
0131F00021	BLOWER MOTOR 1/3HP, 4SP, 6PL (M1, M2, M3, M4, M5, M6)	<b>SPECIAL PARTS</b>																										
20046618	BLOWER MOTOR 3/4 HP (M22, M23, M24, M25)	0161F00006	AMANA NAMEPLATE																									
0150M00035	BLOWER WHEEL 10 X 10 (M16, M17, M18, M19, M20, M21)	Expanded Model Nomenclature																										
B1368034	BLOWER WHEEL 10 X 6 (M1, M2, M3, M4, M5, M6)	<table border="1"> <tr><td>M1 - AMH80453AXCA</td></tr> <tr><td>M2 - AMH80453AXCB</td></tr> <tr><td>M3 - AMH80453AXCC</td></tr> <tr><td>M4 - AMH80703AXCA</td></tr> <tr><td>M5 - AMH80703AXCB</td></tr> <tr><td>M6 - AMH80703AXCC</td></tr> <tr><td>M7 - AMH80704BXCA</td></tr> <tr><td>M8 - AMH80704BXCB</td></tr> <tr><td>M9 - AMH80704BXCC</td></tr> <tr><td>M10 - AMH80903BXCA</td></tr> <tr><td>M11 - AMH80903BXCB</td></tr> <tr><td>M12 - AMH80903BXCC</td></tr> <tr><td>M13 - AMH80904BXCA</td></tr> <tr><td>M14 - AMH80904BXCB</td></tr> <tr><td>M15 - AMH80904BXCC</td></tr> <tr><td>M16 - AMH80905CXCA</td></tr> <tr><td>M17 - AMH80905CXCB</td></tr> <tr><td>M18 - AMH80905CXCC</td></tr> <tr><td>M19 - AMH81155CXCA</td></tr> <tr><td>M20 - AMH81155CXCB</td></tr> <tr><td>M21 - AMH81155CXCC</td></tr> <tr><td>M22 - AMH81405DXCA</td></tr> <tr><td>M23 - AMH81405DXCB</td></tr> <tr><td>M24 - AMH81405DXCC</td></tr> <tr><td>M25 - AMH81405DXCE</td></tr> </table>		M1 - AMH80453AXCA	M2 - AMH80453AXCB	M3 - AMH80453AXCC	M4 - AMH80703AXCA	M5 - AMH80703AXCB	M6 - AMH80703AXCC	M7 - AMH80704BXCA	M8 - AMH80704BXCB	M9 - AMH80704BXCC	M10 - AMH80903BXCA	M11 - AMH80903BXCB	M12 - AMH80903BXCC	M13 - AMH80904BXCA	M14 - AMH80904BXCB	M15 - AMH80904BXCC	M16 - AMH80905CXCA	M17 - AMH80905CXCB	M18 - AMH80905CXCC	M19 - AMH81155CXCA	M20 - AMH81155CXCB	M21 - AMH81155CXCC	M22 - AMH81405DXCA	M23 - AMH81405DXCB	M24 - AMH81405DXCC	M25 - AMH81405DXCE
M1 - AMH80453AXCA																												
M2 - AMH80453AXCB																												
M3 - AMH80453AXCC																												
M4 - AMH80703AXCA																												
M5 - AMH80703AXCB																												
M6 - AMH80703AXCC																												
M7 - AMH80704BXCA																												
M8 - AMH80704BXCB																												
M9 - AMH80704BXCC																												
M10 - AMH80903BXCA																												
M11 - AMH80903BXCB																												
M12 - AMH80903BXCC																												
M13 - AMH80904BXCA																												
M14 - AMH80904BXCB																												
M15 - AMH80904BXCC																												
M16 - AMH80905CXCA																												
M17 - AMH80905CXCB																												
M18 - AMH80905CXCC																												
M19 - AMH81155CXCA																												
M20 - AMH81155CXCB																												
M21 - AMH81155CXCC																												
M22 - AMH81405DXCA																												
M23 - AMH81405DXCB																												
M24 - AMH81405DXCC																												
M25 - AMH81405DXCE																												
B1368016	BLOWER WHEEL 10 X 8 (M7, M8, M9, M13, M14, M15)																											
B1368058	BLOWER WHEEL 10 X 8 (M10, M11, M12)																											
B1368000	BLOWER WHEEL 11 X 10 (M22, M23, M24, M25)																											
CAP125000370RPP	CAP, 12.5 MFD/370V/ RD (M1, M2, M3, M4, M5, M6, M10, M11, M12)																											
CAP200000370CP	CAP, 20 MFD/370V/ RD (M7, M8, M9, M13, M14, M15, M16, M17, M18, M19, M20, M21)																											
CAP250000370RPP	CAP, 25 MFD/370V/ RD (M22, M23, M24, M25)																											
0130F00010	FLAME SENSOR																											
0151F00000P	GAS VALVE - WHITE-RODGERS 2-STAGE (M1, M2, M4, M5, M7, M8, M10, M11, M13, M14, M16, M17, M19, M20, M22, M23)																											
0130F00008	IGNITOR-SINI 17 SEC																											
0120F00007	MANIFOLD (M4, M5, M6, M7, M8, M9)																											
0120F00008	MANIFOLD (M10, M11, M12, M13, M14, M15, M16, M17, M18)																											
0120F00009	MANIFOLD (M19, M20, M21)																											
0120F00010	MANIFOLD (M22, M23, M24, M25)																											
0120F00006	MANIFOLD (M1, M2, M3)																											
10123529	MANUAL RESET LIMIT (QTY 2)																											
PCBBF132	PCB 2STAGE HYBRID FURNACE CNTL																											
B1370179	PRESSURE SWITCH (M7, M8, M9, M10, M11, M12, M13, M14, M15, M16, M17, M18)																											
0130F00042	PRESSURE SWITCH (M22, M23, M24, M25)																											
0130F00041	PRESSURE SWITCH (M19, M20, M21)																											
B1370158	PRESSURE SWITCH -0.70" WC (M1, M2, M3, M4, M5, M6)																											
20162903	PRIMARY LIMIT - BLUE (M13, M14, M15, M22, M23, M24, M25)																											
0130F00038	PRIMARY LIMIT - LT BLUE 120°																											
0130F00036	PRIMARY LIMIT - PINK (M19, M20, M21)																											
0130F00035	PRIMARY LIMIT - PURPLE 220° (M1, M2, M3)																											
20162906	PRIMARY LIMIT - WHITE (M4, M5, M6, M7, M8, M9, M10, M11, M12, M16, M17, M18)																											
0130M00140	TRANSFORMER 120V TO 24V, 40 VA																											

# Cabinet Assy



# Cabinet Assy

**Ref. Part  
No: No:**

**Description:**

**Ref. Part  
No: No:**

**Description:**

*Image 1:*

11	0121F00122LG	BLOWER ACCESS DOOR 14" (M1, M2, M3, M4, M5, M6)
11	0121F00123LG	BLOWER ACCESS DOOR 17.5" (M7, M8, M9, M10, M11, M12, M13, M14, M15)
11	0121F00124LG	BLOWER ACCESS DOOR 21" (M16, M17, M18, M19, M20, M21)
11	0121F00125LG	BLOWER ACCESS DOOR 24.5" (M22, M23, M24, M25)
21	B1392139	VIEW PORT BUSHING-BLOWER DOOR
31	0121F00118LG	CONTROL ACCESS DOOR 14" (M1, M2, M3, M4, M5, M6)
31	0121F00119LG	CONTROL ACCESS DOOR 17.5" (M7, M8, M9, M10, M11, M12, M13, M14, M15)
31	0121F00120LG	CONTROL ACCESS DOOR 21" (M16, M17, M18, M19, M20, M21)
31	0121F00121LG	CONTROL ACCESS DOOR 24.5" (M22, M23, M24, M25)
41	4014502	J-BOX
51	B1392147	UNIVERSAL BUSHING WITH SLICE
61	B13926111	SEAL STRIP, 1/8 X 1/2 X 14 (M1, M2, M3, M4, M5, M6)
61	B13926112	SEAL STRIP, 1/8 X 1/2 X 17.5 (M7, M8, M9, M10, M11, M12, M13, M14, M15)
61	B13926113	SEAL STRIP, 1/8 X 1/2 X 21 (M16, M17, M18, M19, M20, M21)
61	B13926114	SEAL STRIP, 1/8 X 1/2 X 24.5 (M22, M23, M24, M25)
71	0130F00041	PRESSURE SWITCH (M19, M20, M21)
71	0130F00042	PRESSURE SWITCH (M22, M23, M24, M25)
71	B1370179	PRESSURE SWITCH (M7, M8, M9, M10, M11, M12, M13, M14, M15, M16, M17, M18)
71	B1370158	PRESSURE SWITCH -0.70" WC (M1, M2, M3, M4, M5, M6)
81	0121F00141DG	TOP 14" (M1, M2, M3, M4, M5, M6)
81	0121F00142DG	TOP 17.5" (M7, M8, M9, M10, M11, M12, M13, M14, M15)
81	0121F00143DG	TOP 21" (M16, M17, M18, M19, M20, M21)
81	0121F00463DG	TOP 24.5" (M22, M23, M24, M25)
91	B13926111	SEAL STRIP, 1/8 X 1/2 X 14 (M1, M2, M3, M4, M5, M6)
91	B13926112	SEAL STRIP, 1/8 X 1/2 X 17.5 (M7, M8, M9, M10, M11, M12, M13, M14, M15)
91	B13926113	SEAL STRIP, 1/8 X 1/2 X 21 (M16, M17, M18, M19, M20, M21)
91	B13926114	SEAL STRIP, 1/8 X 1/2 X 24.5 (M22, M23, M24, M25)
101	4015502	J-BOX COVER
111	B1370818	INTERLOCK SWITCH
NS	0259F00073	12-PIN WIRE HARNESS ASSY
NS	0161F00006	AMANA NAMEPLATE
NS	0259F00051	IGNITOR WIRE HARNESS ASSY
NS	0259F00050	KIT, WIRE HYBRID FURN
NS	A3468601	PRESSURE SWITCH HOSE

Expanded Model Nomenclature

M1 - AMH80453AXCA
M2 - AMH80453AXCB
M3 - AMH80453AXCC
M4 - AMH80703AXCA
M5 - AMH80703AXCB
M6 - AMH80703AXCC
M7 - AMH80704BXCA
M8 - AMH80704BXC
M9 - AMH80704BXCC
M10 - AMH80903BXCA
M11 - AMH80903BXC
M12 - AMH80903BXCC
M13 - AMH80904BXCA
M14 - AMH80904BXC
M15 - AMH80904BXCC
M16 - AMH80905CXCA
M17 - AMH80905CXC
M18 - AMH80905CXCC
M19 - AMH81155CXCA
M20 - AMH81155CXC
M21 - AMH81155CXCC
M22 - AMH81405DXCA
M23 - AMH81405DXC
M24 - AMH81405DXCC
M25 - AMH81405DXCE

# Collector Box / Heat Exchanger Assy

Image 1

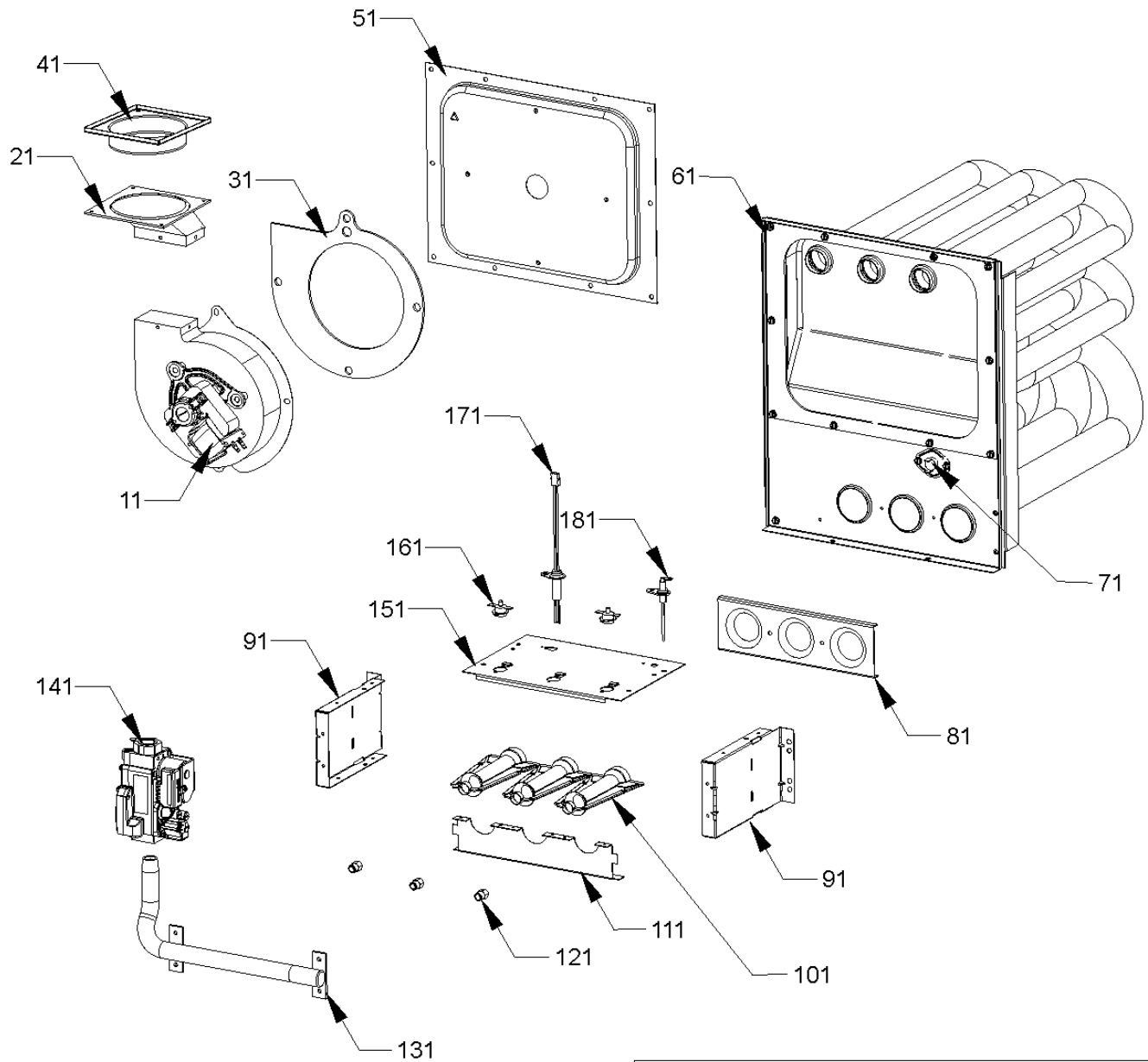
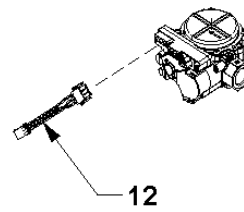


Image 2



# Collector Box / Heat Exchanger Assy

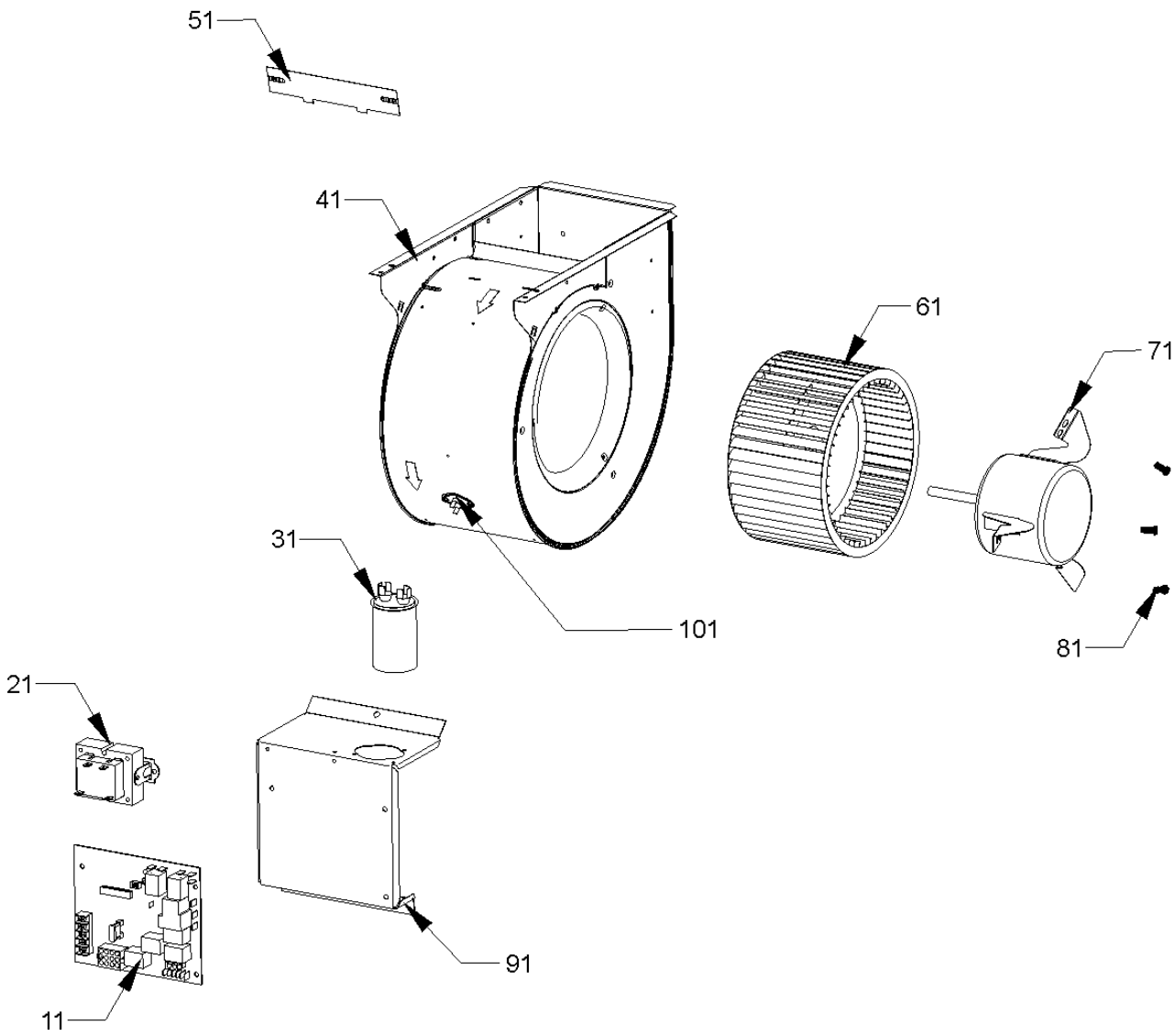
Ref. Part No:	No:	Description:
<i>Image 1:</i>		
11	0131M00002	VENT MOTOR
21	0128F00006	CHIMNEY TRANSITION BOTTOM
31	0154F00003	VENT MOTOR GASKET 14" (M1, M2, M3, M4, M5, M6)
31	0154F00004	VENT MOTOR GASKET 17.5" (M7, M8, M9, M10, M11, M12, M13, M14, M15)
31	0154F00005	VENT MOTOR GASKET 21" (M16, M17, M18, M19, M20, M21)
31	0154F00006	VENT MOTOR GASKET 24.5" (M22, M23, M24, M25)
41	4023500	CHIMNEY TRANSITION TOP
51	0121F00126	FLUE COLLECTOR BOX KIT 14" 1.25 DIA (M1, M2, M3)
51	0121F00127	FLUE COLLECTOR BOX KIT 14" 2.0 DIA (M4, M5, M6)
51	0121F00128	FLUE COLLECTOR BOX KIT 17.5" 1.75 DIA (M7, M8, M9)
51	0121F00161	FLUE COLLECTOR BOX KIT 17.5" 2.0 DIA (M10, M11, M12, M13, M14, M15)
51	0121F00130	FLUE COLLECTOR BOX KIT 21" 2.25 DIA (M16, M17, M18, M19, M20, M21)
51	0121F00131	FLUE COLLECTOR BOX KIT 24.5" 3.5 DIA (M22, M23, M24, M25)
61	0270F00931	HEAT EXCHANGER ASSY (M1, M2, M3)
61	0270F00932	HEAT EXCHANGER ASSY (M4, M5, M6)
61	0270F00933	HEAT EXCHANGER ASSY (M7, M8, M9)
61	0270F00934	HEAT EXCHANGER ASSY (M10, M11, M12, M13, M14, M15)
61	0270F00935	HEAT EXCHANGER ASSY (M16, M17, M18)
61	0270F00936	HEAT EXCHANGER ASSY (M19, M20, M21)
61	0270F00937	HEAT EXCHANGER ASSY (M22, M23, M24, M25)
71	20162903	PRIMARY LIMIT - BLUE (M13, M14, M15, M22, M23, M24, M25)
71	0130F00036	PRIMARY LIMIT - PINK (M19, M20, M21)
71	0130F00035	PRIMARY LIMIT - PURPLE 220° (M1, M2, M3)
71	20162906	PRIMARY LIMIT - WHITE (M4, M5, M6, M7, M8, M9, M10, M11, M12, M16, M17, M18)
81	4028000	ORIFICE SHIELD 2 CELL (M1, M2, M3)
81	4028001	ORIFICE SHIELD 3 CELL (M4, M5, M6, M7, M8, M9)
81	4028002	ORIFICE SHIELD 4 CELL (M10, M11, M12, M13, M14, M15, M16, M17, M18)
81	4028003	ORIFICE SHIELD 5 CELL (M19, M20, M21)
81	4028004	ORIFICE SHIELD 6 CELL (M22, M23, M24, M25)
91	0121F00146	BURNER BOX SIDE (QTY 2)
101	B4022700	INSHOT BURNER ASSY 3" (QTY A/R)
111	0121F00167	BURNER BRACKET 2B (M1, M2, M3)
111	0121F00168	BURNER BRACKET 3B (M4, M5, M6, M7, M8, M9)
111	0121F00169	BURNER BRACKET 4B (M10, M11, M12, M13, M14, M15, M16, M17, M18)
111	0121F00170	BURNER BRACKET 5B (M19, M20, M21)
111	0121F00171	BURNER BRACKET 6B (M22, M23, M24, M25)
121	10716003	ORIFICE (QTY A/R)
131	0120F00006	MANIFOLD (M1, M2, M3)
131	0120F00007	MANIFOLD (M4, M5, M6, M7, M8, M9)
131	0120F00008	MANIFOLD (M10, M11, M12, M13, M14, M15, M16, M17, M18)
131	0120F00009	MANIFOLD (M19, M20, M21)
131	0120F00010	MANIFOLD (M22, M23, M24, M25)
141	0151F00000P	GAS VALVE - WHITE-RODGERS 2-STAGE (M1, M2, M4, M5, M7, M8, M10, M11, M13, M14, M16, M17, M19, M20, M22, M23)
141	0151M00028	VALVE,GAS(HW)VR92 (M3, M6, M9, M12, M15, M18, M21, M24, M25)
151	0121F00162	BURNER BOX TOP 2 CELL (M1, M2, M3)

Ref. Part No:	No:	Description:
<i>Image 1:</i>		
151	0121F00163	BURNER BOX TOP 3 CELL (M4, M5, M6, M7, M8, M9)
151	0121F00164	BURNER BOX TOP 4 CELL (M10, M11, M12, M13, M14, M15, M16, M17, M18)
151	0121F00165	BURNER BOX TOP 5 CELL (M19, M20, M21)
151	0121F00166	BURNER BOX TOP 6 CELL (M22, M23, M24, M25)
161	10123529	MANUAL RESET LIMIT (QTY 2)
171	0130F00008	IGNITOR-SINI 17 SEC
181	0130F00010	FLAME SENSOR
<i>Image 2:</i>		
12	0259M00004	WIRE HARNESS, ADAPTOR (M3, M6, M9, M12, M15, M18, M21, M24)

## Expanded Model Nomenclature

M1 - AMH80453AXCA
M2 - AMH80453AXCB
M3 - AMH80453AXCC
M4 - AMH80703AXCA
M5 - AMH80703AXCB
M6 - AMH80703AXCC
M7 - AMH80704BXCA
M8 - AMH80704BXCB
M9 - AMH80704BXCC
M10 - AMH80903BXCA
M11 - AMH80903BXCB
M12 - AMH80903BXCC
M13 - AMH80904BXCA
M14 - AMH80904BXCB
M15 - AMH80904BXCC
M16 - AMH80905CXCA
M17 - AMH80905CXCB
M18 - AMH80905CXCC
M19 - AMH81155CXCA
M20 - AMH81155CXCB
M21 - AMH81155CXCC
M22 - AMH81405DXCA
M23 - AMH81405DXCB
M24 - AMH81405DXCC
M25 - AMH81405DXCE

# Blower and Control Panel Assy



# Blower and Control Panel Assy

## Ref. Part

No: No: Description:

## Ref. Part

No: No: Description:

Image 1:

11	PCBBF132	PCB 2STAGE HYBRID FURNACE CNTL
21	0130M00140	TRANSFORMER 120V TO 24V, 40 VA
31	CAP125000370RPP	CAP, 12.5 MFD/370V/ RD (M1, M2, M3, M4, M5, M6, M10, M11, M12)
31	CAP200000370CP	CAP, 20 MFD/370V/ RD (M7, M8, M9, M13, M14, M15, M16, M17, M18, M19, M20, M21)
31	CAP250000370RPP	CAP, 25 MFD/370V/ RD (M22, M23, M24, M25)
41	2539307	BLOWER HOUSING 10 X 10 (M16, M17, M18, M19, M20, M21, M22, M23, M24, M25)
41	2539305	BLOWER HOUSING 10 X 6 (M1, M2, M3, M4, M5, M6)
41	2539306	BLOWER HOUSING 10 X 8 (M7, M8, M9, M10, M11, M12, M13, M14, M15)
51	764741F	BLOWER BLOCK-OFF 10 X 10 (M16, M17, M18, M19, M20, M21, M22, M23, M24, M25)
51	764740	BLOWER BLOCK-OFF 10 X 8 (M7, M8, M9, M10, M11, M12, M13, M14, M15)
51	764739	BLOWER CUT-OFF 10 X 6 (M1, M2, M3, M4, M5, M6)
61	0150M00035	BLOWER WHEEL 10 X 10 (M16, M17, M18, M19, M20, M21)
61	B1368034	BLOWER WHEEL 10 X 6 (M1, M2, M3, M4, M5, M6)
61	B1368016	BLOWER WHEEL 10 X 8 (M7, M8, M9, M13, M14, M15)
61	B1368058	BLOWER WHEEL 10 X 8 (M10, M11, M12)
61	B1368000	BLOWER WHEEL 11 X 10 (M22, M23, M24, M25)
71	0131F00022	BLOWER MOTOR 1/2 HP, 4 SP, 6 PL (M7, M8, M9, M13, M14, M15, M16, M17, M18, M19, M20, M21)
71	0131F00020	BLOWER MOTOR 1/3 HP, 4 SP, 6 PL (M10, M11, M12)
71	0131F00021	BLOWER MOTOR 1/3HP, 4SP, 6PL (M1, M2, M3, M4, M5, M6)
71	20046618	BLOWER MOTOR 3/4 HP (M22, M23, M24, M25)
81	M0250558	TC SCREW (QTY 3)
91	1815817	CONTROL MOUNT PANEL
101	0130F00038	PRIMARY LIMIT - LT BLUE 120°

Expanded Model Nomenclature

M1 - AMH80453AXCA
M2 - AMH80453AXCB
M3 - AMH80453AXCC
M4 - AMH80703AXCA
M5 - AMH80703AXCB
M6 - AMH80703AXCC
M7 - AMH80704BXCA
M8 - AMH80704BXCB
M9 - AMH80704BXCC
M10 - AMH80903BXCA
M11 - AMH80903BXCB
M12 - AMH80903BXCC
M13 - AMH80904BXCA
M14 - AMH80904BXCB
M15 - AMH80904BXCC
M16 - AMH80905CXCA
M17 - AMH80905CXCB
M18 - AMH80905CXCC
M19 - AMH81155CXCA
M20 - AMH81155CXCB
M21 - AMH81155CXCC
M22 - AMH81405DXCA
M23 - AMH81405DXCB
M24 - AMH81405DXCC
M25 - AMH81405DXCE