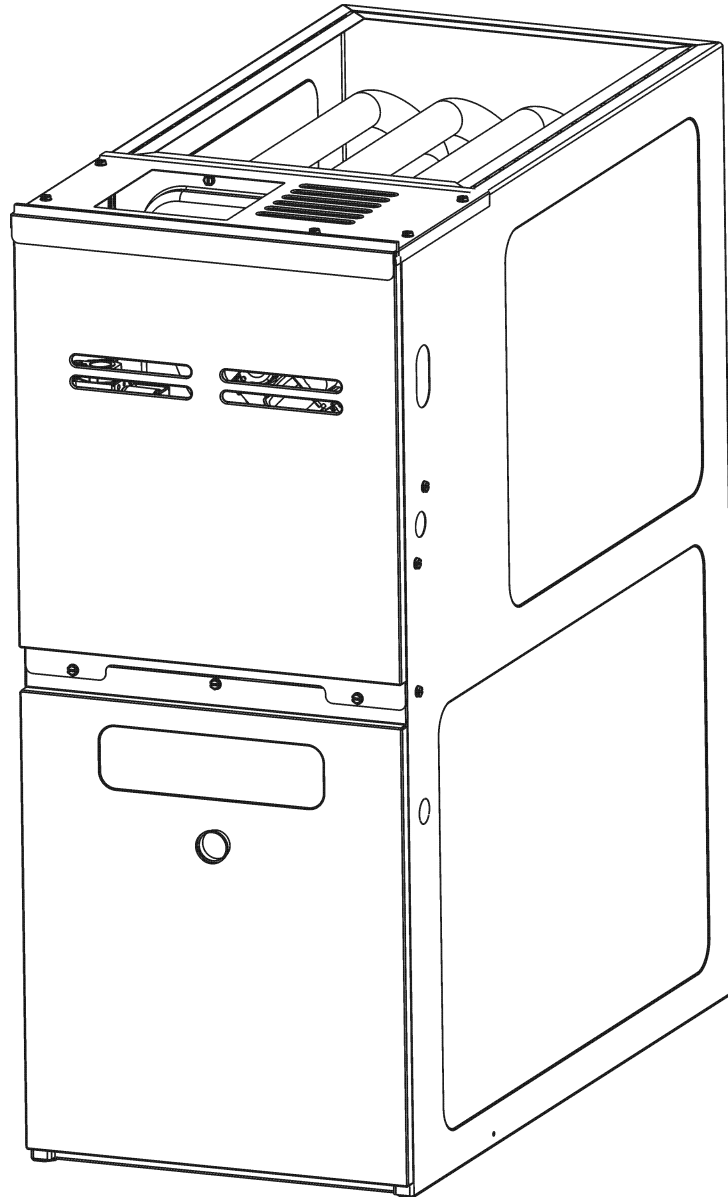


## AMH 80% Two Stage Multi-Position Furnace

AMH80403ANBC  
AMH80403AXBC  
AMH80603ANBC  
AMH80603AXBC  
AMH80604BNBC  
AMH80604BXBC  
AMH80803BNBC  
AMH80803BXBC  
AMH80804BNBC  
AMH80804BXBC  
AMH80805CNBC  
AMH80805CXBC  
AMH81005CNBC  
AMH81005CXBC



Amana® is a registered trademark of Maytag Corporation or its related companies and is used under license. All rights reserved.

This manual is to be used by qualified technicians only.

This manual replaces RP-A2304.

© 2016 - 2017 Goodman Company, L.P. ♦ 5151 San Felipe St, Suite 500 ♦ Houston, TX 77056

# Important Information

---

## Index

Functional Parts List .....	3
Illustration and Parts .....	4 - 9

*Views shown are for parts illustrations only, not servicing procedures*

### Text Codes:

AR - As Required

NA - Not Available

NS - Not Shown

00000000 - See Note

QTY - Quantity Example (QTY 3) (If Quantity not shown, Quantity = 1)

M - Model Example (M1) (If M Code not shown, then part is used on all Models)

### Expanded Model Nomenclature:

Example M1 - Model#1 M2 - Model#2 M3 - Model#3
---

Goodman Company, L.P. is not responsible for personal injury or property damage resulting from improper service. Review all service information before beginning repairs.

Warranty service must be performed by an authorized technician, using authorized factory parts. If service is required after the warranty expires, Goodman Company, L.P. also recommends contacting an authorized technician and using authorized factory parts.

Goodman Company, L.P. reserves the right to discontinue, or change at any time, specifications or designs without notice or without incurring obligations.

For assistance within the U.S.A. contact:

Homeowner Support  
Goodman Company, L.P.  
19001 Kermier Road  
Waller, Texas 77484  
877-254-4729-Telephone  
713-863-2382-Facsimile

For assistance outside the U.S.A. contact:

International Division  
Goodman Company, L.P.  
19001 Kermier Road  
Waller, Texas 77484  
713-861-2500-Telephone  
713-863-2382-Facsimile

# Functional Parts

## Part

**No:**            **Description:**

---

20162904	*PRIMARY LIMIT-TEMPERATURE CONTROL (M3, M4, M5, M6, M7, M8, M9, M10, M13, M14) *Refer to service bulletin SF-054
B1368034	BLOWER WHEEL 10 X 6 (M1, M2, M3, M4)
B1368058	BLOWER WHEEL 10 X 8 (M7, M8)
CAP200000370CP	CAP, 20 MFD/370V/ RD
0130F00010	FLAME SENSOR
10690402	INTERLOCK SWITCH
10123529	MANUAL RESET R.O.S. LIMIT (QTY 2)
0131F00042	MOTOR, 1/2HP, 4SP, 6PL (M5, M6, M9, M10)
0131F00043	MOTOR, 1/2HP, 4SP, 6PL (M11, M12, M13, M14)
0131F00041	MOTOR, 1/3HP, 4SP, 6PL (M1, M2, M3, M4, M7, M8)
0131M00002P	MOTOR, VENT 80+
PCBBF132	PCB 2STAGE HYBRID FURNACE CNTL
20162901	PRESSURE LIMIT-RED (M1, M2)
B1370179	PRESSURE SWITCH (M3, M4, M5, M6, M11, M12)
B1370158	PRESSURE SWITCH -0.70" WC (M1, M2, M7, M8, M9, M10, M13, M14)
20162903	PRIMARY LIMIT - BLUE (M11, M12)
0130F00038	PRIMARY LIMIT - LT BLUE 120° (AUX)
0130F00008	SINI IGNITOR
0130M00140	TRANSFORMER 120V TO 24V, 40VA
0151M00028	VALVE,GAS(HW)VR92
0150M00042	WHEEL, BLOWER (10 X 10) (M11, M12, M13, M14)
0150M00043	WHEEL, BLOWER (10 X 8) (M5, M6, M9, M10)

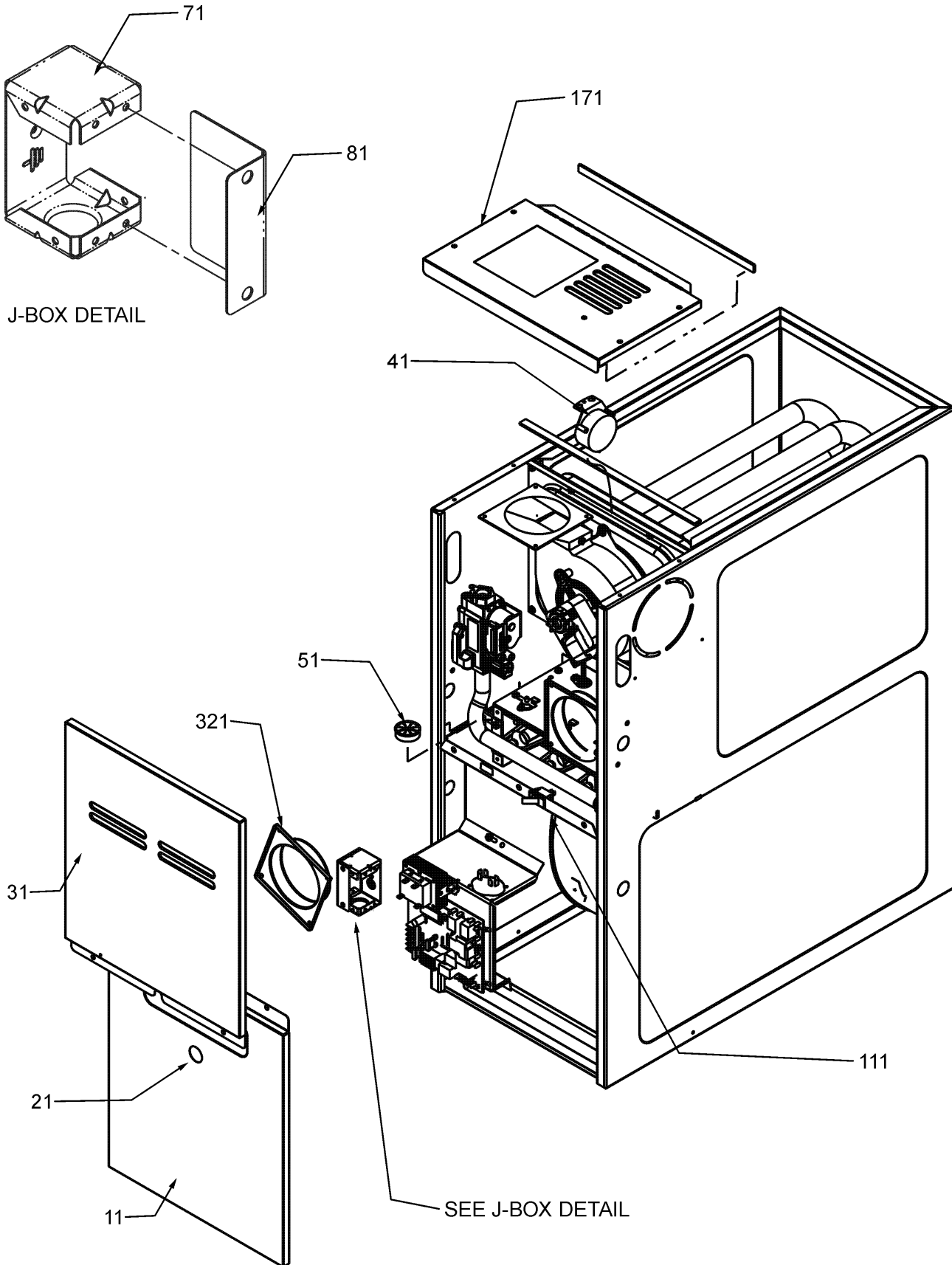
## SPECIAL PARTS

0161F00006      AMANA NAMEPLATE

## Expanded Model Nomenclature

M1 - AMH80403ANBC
M2 - AMH80403AXBC
M3 - AMH80603ANBC
M4 - AMH80603AXBC
M5 - AMH80604BNBC
M6 - AMH80604BXBC
M7 - AMH80803BNBC
M8 - AMH80803BXBC
M9 - AMH80804BNBC
M10 - AMH80804BXBC
M11 - AMH80805CNBC
M12 - AMH80805CXBC
M13 - AMH81005CNBC
M14 - AMH81005CXBC

# Cabinet Assy



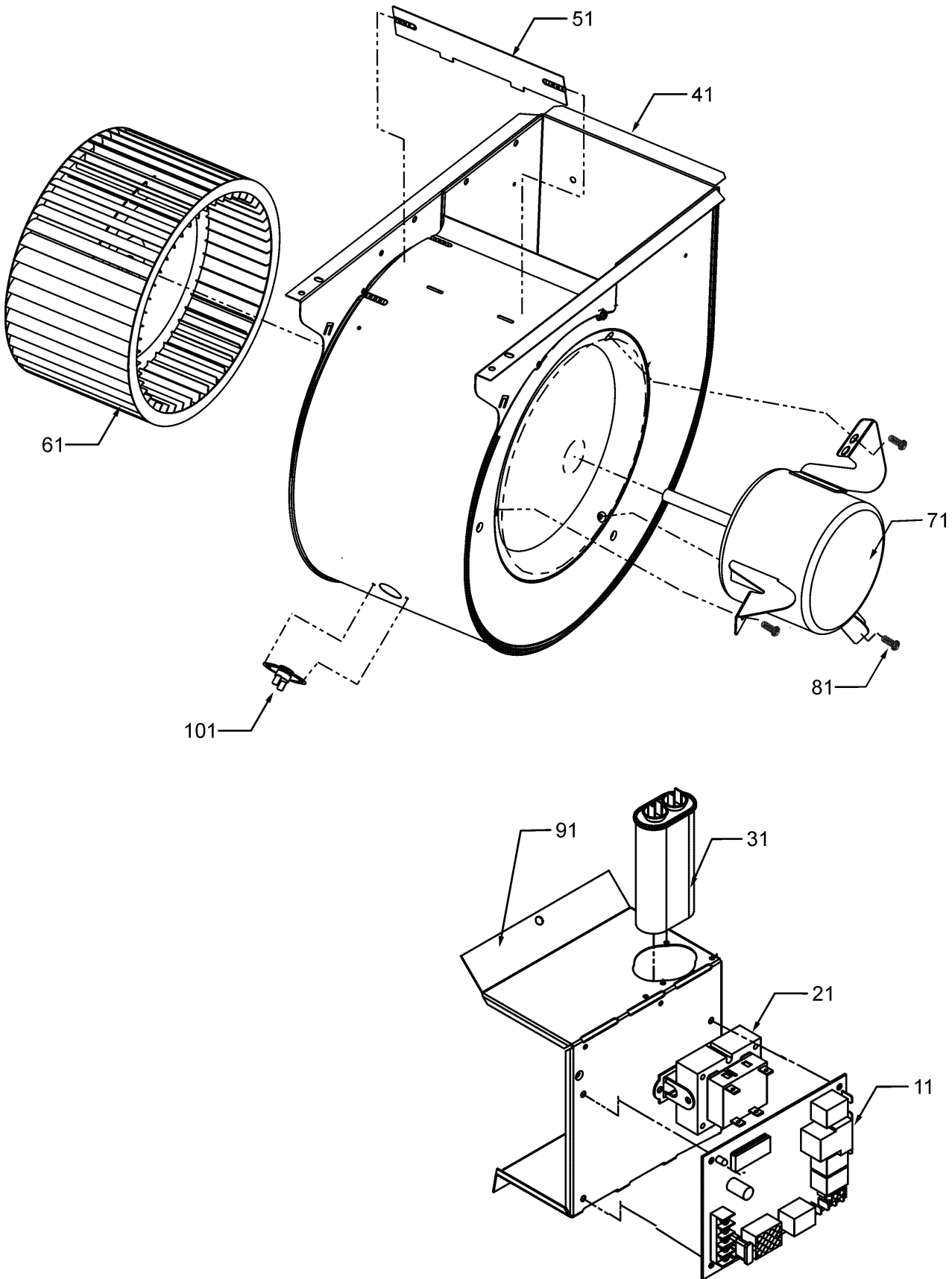
# Cabinet Assy

Ref. Part No: No:	Description:	Ref. Part No: No:	Description:
<b>Image 1:</b>			
11	0121F00122LG		BLOWER ACCESS DOOR 14" (M1, M2, M3, M4)
11	0121F00123LG		BLOWER ACCESS DOOR 17.5" (M5, M6, M7, M8, M9, M10)
11	0121F00124LG		BLOWER ACCESS DOOR 21" (M11, M12, M13, M14)
21	B1392139		VIEW PORT BUSHING-BLOWER DOOR
31	0121F00118LG		CONTROL ACCESS DOOR 14" (M1, M2, M3, M4)
31	0121F00119LG		CONTROL ACCESS DOOR 17.5" (M5, M6, M7, M8, M9, M10)
31	0121F00120LG		CONTROL ACCESS DOOR 21" (M11, M12, M13, M14)
41	B1370179		PRESSURE SWITCH (M3, M4, M5, M6, M11, M12)
41	B1370158		PRESSURE SWITCH -0.70" WC (M1, M2, M7, M8, M9, M10, M13, M14)
51	B1392147		UNIVERSAL BUSHING WITH SLICE
71	4014502		J-BOX
81	4015502		J-BOX COVER
111	10690402		INTERLOCK SWITCH
171	0121F00141DG		TOP 14" (M1, M2, M3, M4)
171	0121F00142DG		TOP 17.5" (M5, M6, M7, M8, M9, M10)
171	0121F00143DG		TOP 21" (M11, M12, M13, M14)
321	4023500		CHIMNEY TRANSITION TOP
NS	0161F00006		AMANA NAMEPLATE

## Expanded Model Nomenclature

- M1 - AMH80403ANBC
- M2 - AMH80403AXBC
- M3 - AMH80603ANBC
- M4 - AMH80603AXBC
- M5 - AMH80604BNBC
- M6 - AMH80604BXBC
- M7 - AMH80803BNBC
- M8 - AMH80803BXBC
- M9 - AMH80804BNBC
- M10 - AMH80804BXBC
- M11 - AMH80805CNBC
- M12 - AMH80805CXBC
- M13 - AMH81005CNBC
- M14 - AMH81005CXBC

# Blower Assy



# Blower Assy

Ref. Part No: No:	Description:	Ref. Part No: No:	Description:
-------------------	--------------	-------------------	--------------

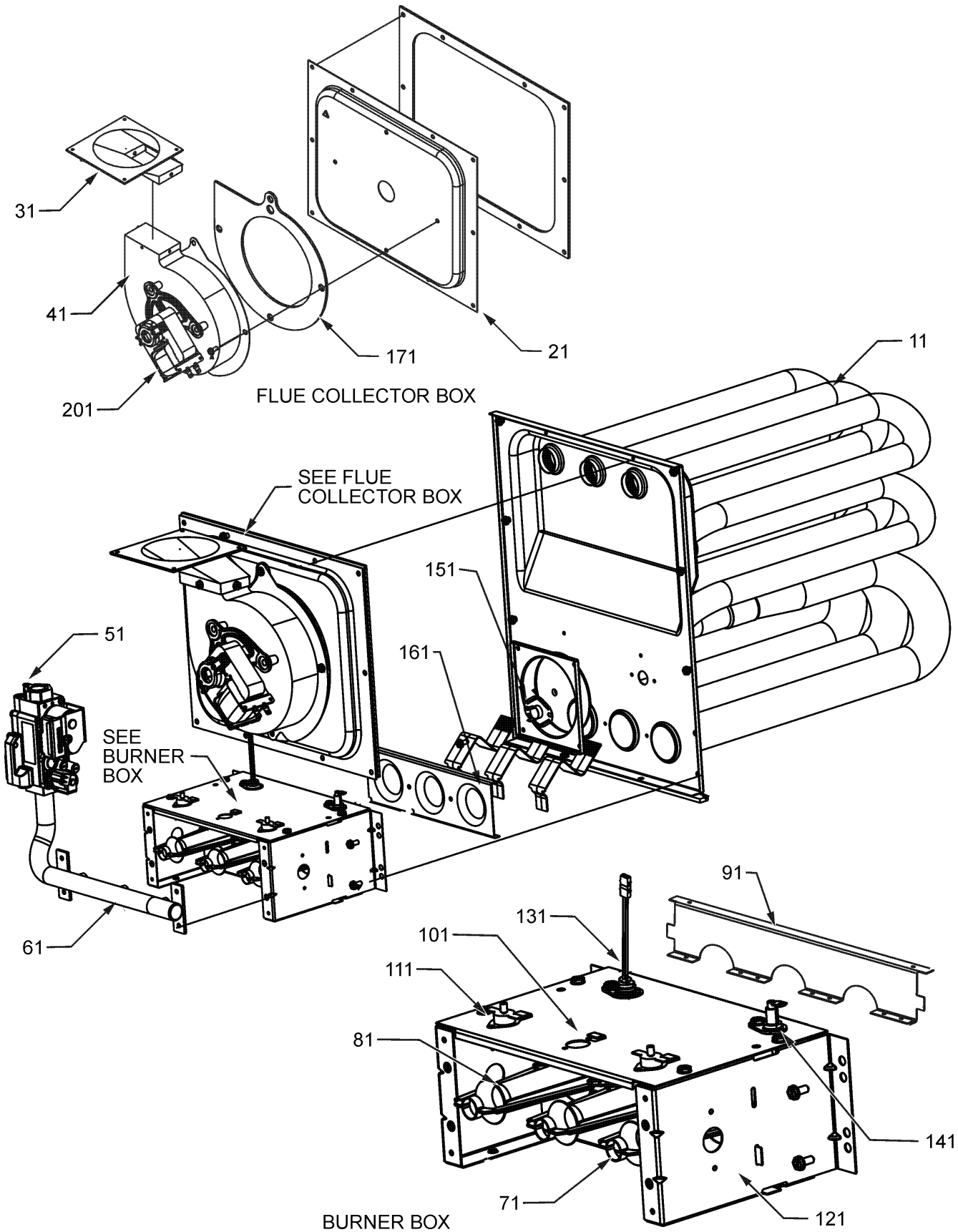
**Image 1:**

11	PCBBF132	PCB 2STAGE HYBRID FURNACE CNTL
21	0130M00140	TRANSFORMER 120V TO 24V, 40VA
31	CAP200000370CP	CAP, 20 MFD/370V/ RD
41	2539307	BLOWER HOUSING 10 X 10 (M11, M12, M13, M14)
41	2539305	BLOWER HOUSING 10 X 6 (M1, M2, M3, M4)
41	2539306	BLOWER HOUSING 10 X 8 (M5, M6, M7, M8, M9, M10)
51	764741	BLOWER BLOCK-OFF 10 X 10 (M11, M12, M13, M14)
51	764740	BLOWER BLOCK-OFF 10 X 8 (M5, M6, M7, M8, M9, M10)
51	764739	BLOWER CUT-OFF 10 X 6 (M1, M2, M3, M4)
61	B1368034	BLOWER WHEEL 10 X 6 (M1, M2, M3, M4)
61	B1368058	BLOWER WHEEL 10 X 8 (M7, M8)
61	0150M00042	WHEEL, BLOWER (10 X 10) (M11, M12, M13, M14)
61	0150M00043	WHEEL, BLOWER (10 X 8) (M5, M6, M9, M10)
71	0131F00042	MOTOR, 1/2HP, 4SP, 6PL (M5, M6, M9, M10)
71	0131F00043	MOTOR, 1/2HP, 4SP, 6PL (M11, M12, M13, M14)
71	0131F00041	MOTOR, 1/3HP, 4SP, 6PL (M1, M2, M3, M4, M7, M8)
81	M0250558	TC SCREW (QTY 3)
91	1815817	CONTROL MOUNT PANEL
101	0130F00038	PRIMARY LIMIT - LT BLUE 120° (AUX)

**Expanded Model Nomenclature**

- |                    |
|--------------------|
| M1 - AMH80403ANBC  |
| M2 - AMH80403AXBC  |
| M3 - AMH80603ANBC  |
| M4 - AMH80603AXBC  |
| M5 - AMH80604BNBC  |
| M6 - AMH80604BXBC  |
| M7 - AMH80803BNBC  |
| M8 - AMH80803BXBC  |
| M9 - AMH80804BNBC  |
| M10 - AMH80804BXBC |
| M11 - AMH80805CNBC |
| M12 - AMH80805CXBC |
| M13 - AMH81005CNBC |
| M14 - AMH81005CXBC |

# Heat Exchanger Assy



# Heat Exchanger Assy

**Ref. Part  
No: No:**

**Description:**

**Ref. Part  
No: No:**

**Description:**

**Image 1:**

11	0270F00931	HEAT EXCHANGER ASSY (M1, M2)
11	0270F00932	HEAT EXCHANGER ASSY (M3, M4)
11	0270F00933	HEAT EXCHANGER ASSY (M5, M6)
11	0270F00934	HEAT EXCHANGER ASSY (M7, M8, M9, M10)
11	0270F00935	HEAT EXCHANGER ASSY (M11, M12)
11	0270F00936	HEAT EXCHANGER ASSY (M13, M14)
21	0121F00126	FLUE COLLECTOR BOX KIT 14" 1.25 DIA (M1, M2)
21	0121F00198	FLUE COLLECTOR BOX KIT 14" 1.75 DIA (M3, M4)
21	0121F00128	FLUE COLLECTOR BOX KIT 17.5" 1.75 DIA (M5, M6, M7, M8, M9, M10)
31	0128F00006	CHIMNEY TRANSITION BOTTOM
41	0131M00002P	MOTOR, VENT 80+
51	0151M00028	VALVE,GAS(HW)VR92
61	0120F00006	MANIFOLD (M1, M2)
61	0120F00007	MANIFOLD (M3, M4, M5, M6)
61	0120F00008	MANIFOLD (M7, M8, M9, M10, M11, M12)
61	0120F00009	MANIFOLD (M13, M14)
71	10716005	ORIFICE (QTY 2)
81	B4022700	INSHOT BURNER ASSY 3" (QTY 2)
91	0121F00167	BURNER BRACKET 2B (M1, M2)
91	0121F00168	BURNER BRACKET 3B (M3, M4, M5, M6)
91	0121F00169	BURNER BRACKET 4B (M7, M8, M9, M10, M11, M12)
91	0121F00170	BURNER BRACKET 5B (M13, M14)
101	0121F00162	BURNER BOX TOP 2 CELL (M1, M2)
101	0121F00163	BURNER BOX TOP 3 CELL (M3, M4, M5, M6)
101	0121F00164	BURNER BOX TOP 4 CELL (M7, M8, M9, M10, M11, M12)
101	0121F00165	BURNER BOX TOP 5 CELL (M13, M14)
111	10123529	MANUAL RESET R.O.S. LIMIT (QTY 2)
121	0121F00146	BURNER BOX SIDE (QTY 2)
131	0130F00008	SINI IGNITOR
141	0130F00010	FLAME SENSOR
151	20162904	*PRIMARY LIMIT-TEMPERATURE CONTROL (M3, M4, M5, M6, M7, M8, M9, M10, M13, M14) *Refer to service bulletin SF-054
151	20162901	PRESSURE LIMIT-RED (M1, M2)
151	20162903	PRIMARY LIMIT - BLUE (M11, M12)
161	4028000	ORIFICE SHIELD 2 CELL (M1, M2)
161	4028001	ORIFICE SHIELD 3 CELL (M3, M4, M5, M6)
161	4028002	ORIFICE SHIELD 4 CELL (M7, M8, M9, M10, M11, M12)
161	4028003	ORIFICE SHIELD 5 CELL (M13, M14)
171	0154F00003	VENT MOTOR GASKET 14" (M1, M2, M3, M4)
171	0154F00004	VENT MOTOR GASKET 17.5" (M5, M6, M7, M8, M9, M10)
171	0154F00005	VENT MOTOR GASKET 21" (M11, M12, M13, M14)
201	DY6.186.070	VENT MOTOR CAPACITOR
NS	0259F00050	KIT, WIRE HYBRID FURN
NS	0259F00073	WIRE HARNESS ASSY (M11, M12, M13, M14)
NS	0259F00085	WIRE HARNESS ASSY (M1, M2, M3, M4, M5, M6, M7, M8, M9, M10)
NS	0159F00060	WIRE HARNESS ASSY. , IGNITOR

**Expanded Model Nomenclature**

M1 - AMH80403ANBC
M2 - AMH80403AXBC
M3 - AMH80603ANBC
M4 - AMH80603AXBC
M5 - AMH80604BNBC
M6 - AMH80604BXBC
M7 - AMH80803BNBC
M8 - AMH80803BXBC
M9 - AMH80804BNBC
M10 - AMH80804BXBC
M11 - AMH80805CNBC
M12 - AMH80805CXBC
M13 - AMH81005CNBC
M14 - AMH81005CXBC