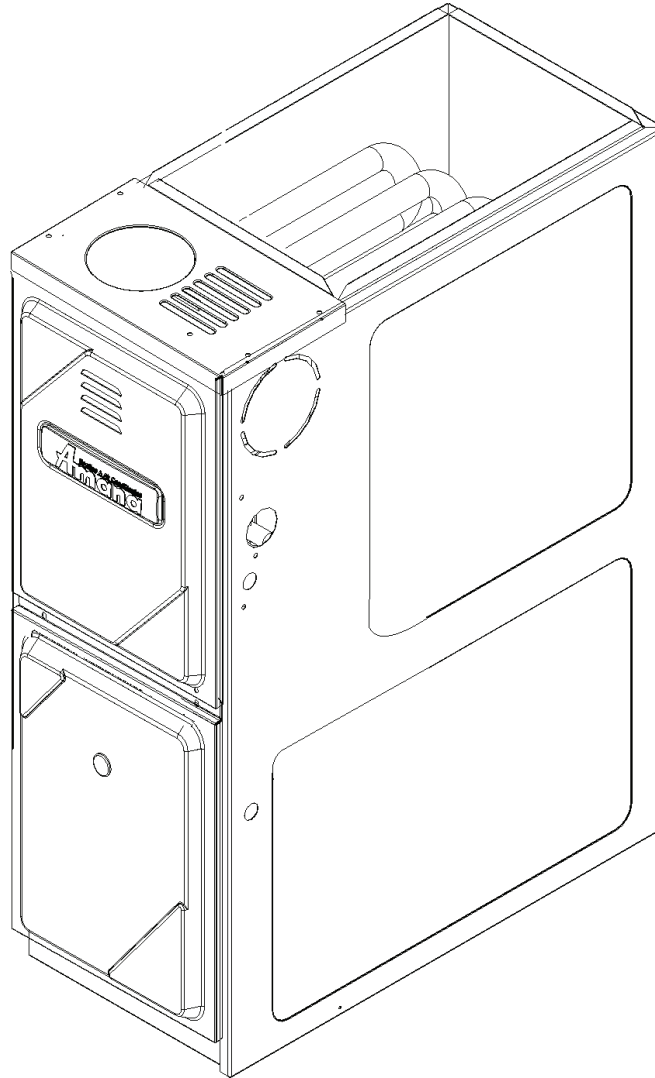


# REPAIR PARTS

## AMH80 Amana® brand 80% Upflow Hybrid Furnace

AMH80453AXAA  
AMH80703AXAA  
AMH80704BXAA  
AMH80903BXAA  
AMH80904BXAA  
AMH80905CXAA  
AMH81155CXAA  
AMH81405DXAA



Amana is a trademark of Maytag Corporation and used under license to Goodman Company, L.P. All rights reserved.

This manual is to be used by qualified technicians only.

[www.amana-hac.com](http://www.amana-hac.com)

RP-491  
January 2008

Copyright © 2008 Goodman Company, L.P.

# Important Information

---

## Index

Functional Parts List .....	3
Illustration and Parts .....	4 - 11

*Views shown are for parts illustrations only, not servicing procedures*

### Text Codes:

AR - As Required

NA - Not Available

NS - Not Shown

00000000 - See Note

QTY - Quantity Example (QTY 3) (If Quantity not shown, Quantity = 1)

M - Model Example (M1) (If M Code not shown, then part is used on all Models)

### Expanded Model Nomenclature:

Example M1 - Model#1 M2 - Model#2 M3 - Model#3
---

Goodman Company, L.P. is not responsible for personal injury or property damage resulting from improper service. Review all service information before beginning repairs.

Warranty service must be performed by an authorized technician, using authorized factory parts. If service is required after the warranty expires, Goodman Company, L.P. also recommends contacting an authorized technician and using authorized factory parts.

Goodman Company, L.P. reserves the right to discontinue, or change at any time, specifications or designs without notice or without incurring obligations.

For assistance within the U.S.A. contact:

Consumer Affairs Department  
Goodman Company, L.P.  
7401 Security Way  
Houston, Texas 77040  
877-254-4729-Telephone  
713-863-2382-Facsimile

For assistance outside the U.S.A. contact:

International Division  
Goodman Company, L.P.  
7401 Security Way  
Houston, Texas 77040  
713-861-2500-Telephone  
713-863-2382-Facsimile

# Functional Parts

**Part No:**            **Description:**

0259F00018	12-PIN WIRE HARNESS ASSY
B1370155	AUXILIARY LIMIT SWITCH 120°F
B1340024S	BLOWER MOTOR 1/2 HP, 4 SP, 6 PL (M3, M5, M6, M7)
B1340025S	BLOWER MOTOR 1/3 HP, 4 SP, 6 PL (M1, M2, M4)
CAP125000370RPS	CAPACITOR 12.5/370V (M1, M2, M4)
CAP200000370RPS	CAPACITOR 20/370V (M3, M5, M6, M7)
CAP250000370RPS	CAPACITOR 25/370V (M8)
0130F00010	FLAME SENSOR
B4026005	GAS MANIFOLD 2 CELL (M1)
B4026006	GAS MANIFOLD 3 CELL (M2, M3)
B4026007	GAS MANIFOLD 4 CELL (M4, M5, M6)
B4026008	GAS MANIFOLD 5 CELL (M7)
B4026009	GAS MANIFOLD 6 CELL (M8)
0151F00000P	GAS VALVE
PCBBF109S	IGNITION BOARD, HSI INTEGRATED 2 STAGE
0259F00020	IGNITOR WIRE HARNESS ASSY
B1370818	INTERLOCK SWITCH
10716003	ORIFICE (QTY 2)
B1370142	PRESSURE SWITCH 0.60" WC (M1, M2, M6, M8)
B1370158	PRESSURE SWITCH -0.70" WC (M7)
B1370179	PRESSURE SWITCH 0.75" WC (M4, M5)
B1370176	PRESSURE SWITCH 47 SP (M3)
B1370198	PRIMARY LIMIT SWITCH 150°F (M4, M7, M8)
B1370187	PRIMARY LIMIT SWITCH 160°F (M2)
B1370188	PRIMARY LIMIT SWITCH 170°F (M3, M5)
B1370189	PRIMARY LIMIT SWITCH 200°F (M6)
B1370190	PRIMARY LIMIT SWITCH 210°F (M1)
B1370145	ROLLOUT SWITCH 300° (QTY 2)
0130F00008S	SINI IGNITOR 17 SEC
4021313	SUB-ASSY, HEAT EXCHANGER 2 CELL 14" (M1)
4021314	SUB-ASSY, HEAT EXCHANGER 3 CELL 14" (M2)
4021315S	SUB-ASSY, HEAT EXCHANGER 3 CELL 17.5" (M3)
4021316	SUB-ASSY, HEAT EXCHANGER 4 CELL 17.5" (M4, M5)
4021318S	SUB-ASSY, HEAT EXCHANGER 5 CELL 21" (M7)
4021319	SUB-ASSY, HEAT EXCHANGER 6 CELL 24.5" (M8)
B1141605	TRANSFORMER 120V TO 24V, 40VA
0131M00002S	VENT MOTOR 80+
0259F00019	WIRE KIT

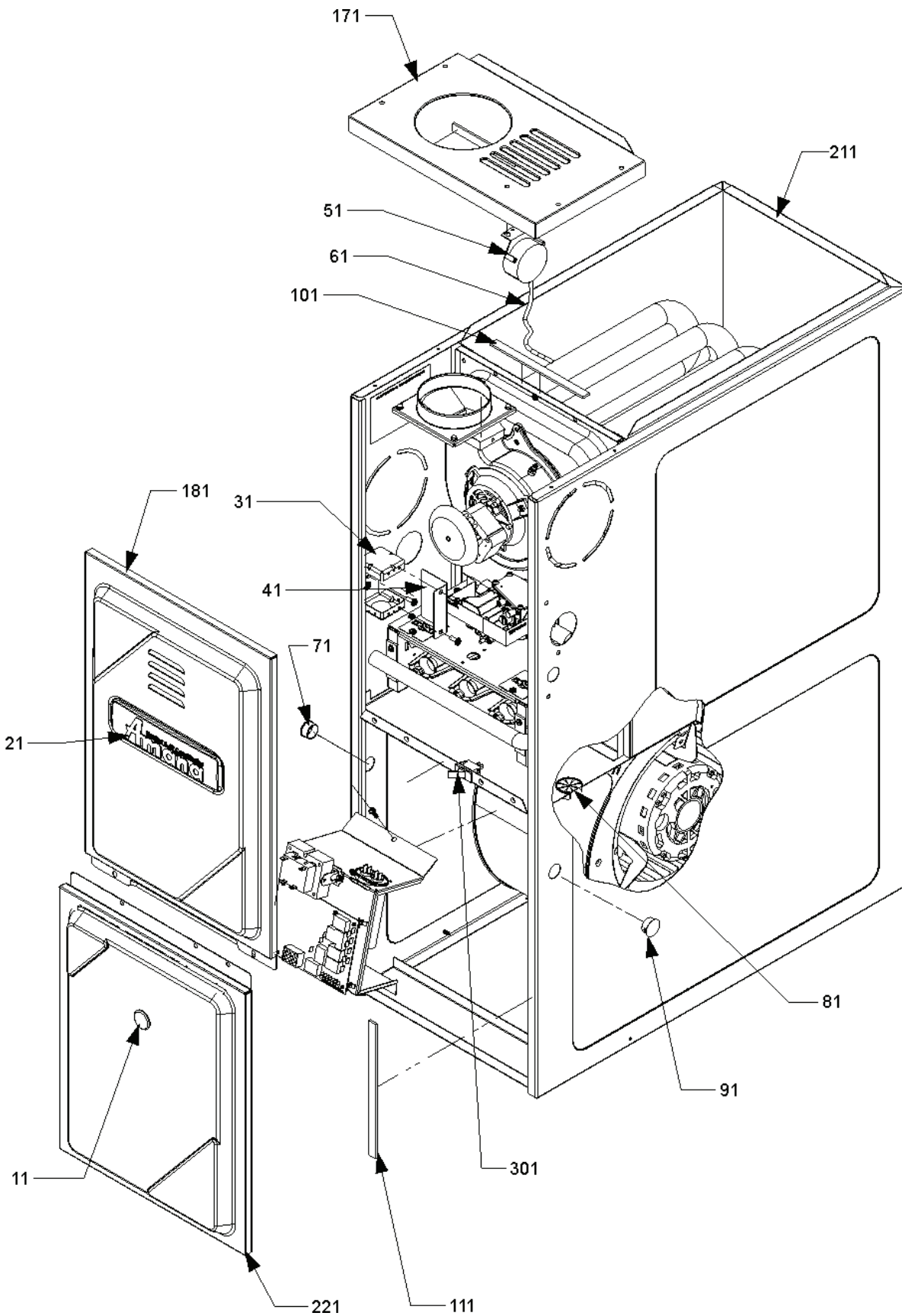
**SPECIAL PARTS**

0161M00003P	AMANA NAMEPLATE
IO-296B	INSTALLATION INSTRUCTIONS
IO-669	INSTALLATION INSTRUCTIONS-HUMIDIFIER
RP-491	REPAIR PARTS MANUAL
4021317S	SUB-ASSY, HEAT EXCHANGER 4 CELL 21" (M6)
HI-115A	USERS MANUAL

Expanded Model Nomenclature

M1 - AMH80453AXAA
M2 - AMH80703AXAA
M3 - AMH80704BXAA
M4 - AMH80903BXAA
M5 - AMH80904BXAA
M6 - AMH80905CXAA
M7 - AMH81155CXAA
M8 - AMH81405DXAA

# Cabinet



# Cabinet

Ref Part No:	Description:	Ref. Part No:	Description:
--------------	--------------	---------------	--------------

Image 1:

11	B1392139	VIEW PORT BUSHING, CLEAR
21	0161M00003P	AMANA NAMEPLATE
31	4014502	J-BOX
41	4015502	J-BOX COVER
51	B1370142	PRESSURE SWITCH 0.60" WC (M1, M2, M6, M8)
51	B1370158	PRESSURE SWITCH -0.70" WC (M7)
51	B1370179	PRESSURE SWITCH 0.75" WC (M4, M5)
51	B1370176	PRESSURE SWITCH 47 SP (M3)
61	A3468601	PRESSURE SWITCH HOSE
71	B1392104	UNIVERSAL BUSHING UB 875
81	B1392147	UNIVERSAL BUSHING WITH SLICE
91	B1392019	PLASTIC PLUG, .875 DIA (BLK)
101	B13926111	SEAL STRIP 1/8 X 1/2 X 14 (M1, M2)
111	B13926112	SEAL STRIP 1/8 X 1/2 X 17.5 (M3, M4, M5)
111	B13926113	SEAL STRIP 1/8 X 1/2 X 21 (M6, M7)
111	B13926114	SEAL STRIP 1/8 X 1/2 X 24.5 (M8)
171	0221F00000PDG	TOP 14" (M1, M2)
171	0221F00001PDG	TOP 17.5" (M3, M4, M5)
171	0221F00002PDG	TOP 21" (M6, M7)
171	0221F00003PDG	TOP 24.5" (M8)
181	4012007PLG	ACCESS DOOR 14" (M1, M2)
181	4012008PLG	ACCESS DOOR 17.5" (M3, M4, M5)
181	4012009PLG	ACCESS DOOR 21" (M6, M7)
181	4012010PLG	ACCESS DOOR 24.5" (M8)
211	0270F00010S	INSULATED ASSY, WRAPPER 14" (M1, M2)
211	0270F00011S	INSULATED ASSY, WRAPPER 17.5" (M3, M4, M5)
211	0270F00012S	INSULATED ASSY, WRAPPER 21" (M6, M7)
211	0270F00013S	INSULATED ASSY, WRAPPER 24.5" (M8)
221	4015004PLG	BLOWER DOOR ASSY 14" (M1, M2)
221	4015005PLG	BLOWER DOOR ASSY 17.5" (M3, M4, M5)
221	4015006PLG	BLOWER DOOR ASSY 21" (M6, M7)
221	4015007PLG	BLOWER DOOR ASSY 24.5" (M8)
301	B1370818	INTERLOCK SWITCH

Expanded Model Nomenclature

M1 - AMH80453AXAA
M2 - AMH80703AXAA
M3 - AMH80704BXAA
M4 - AMH80903BXAA
M5 - AMH80904BXAA
M6 - AMH80905CXAA
M7 - AMH81155CXAA
M8 - AMH81405DXAA

# Blower Assy/Control Panel

Image 1

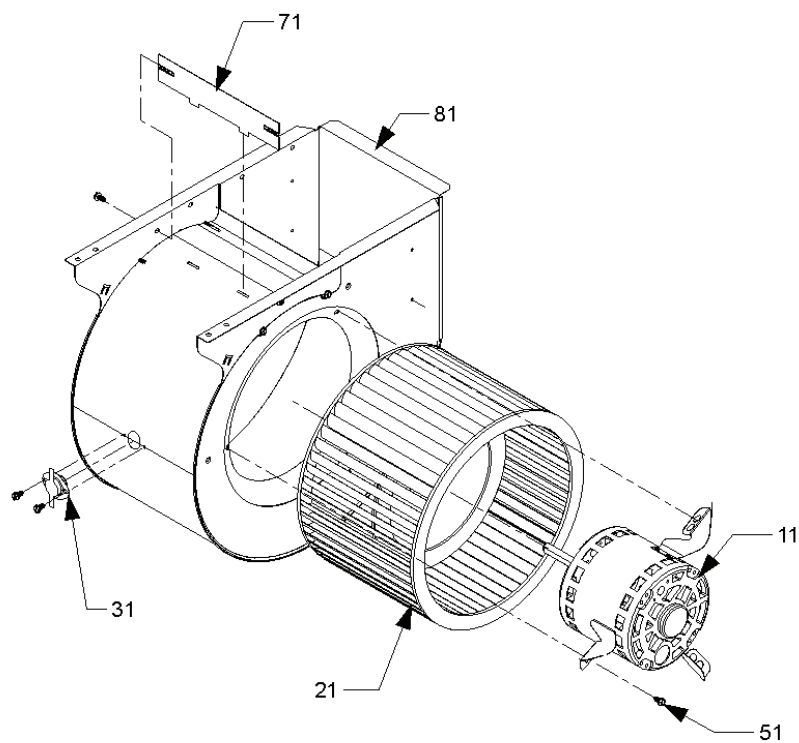
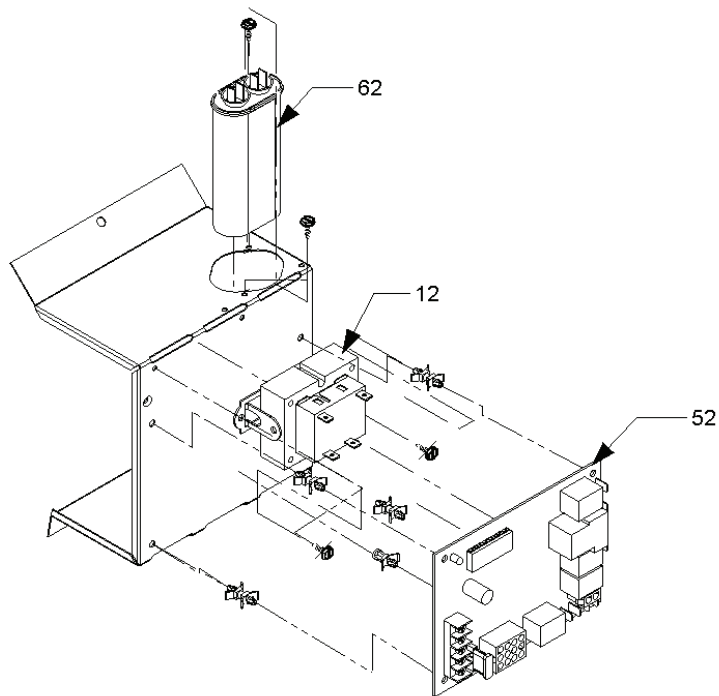


Image 2



# Blower Assy/Control Panel

Ref Part No:	Description:	Ref. Part No:	Description:
--------------	--------------	---------------	--------------

*Image 1:*

11	B1340024S	BLOWER MOTOR 1/2 HP, 4 SP, 6 PL (M3, M5, M6, M7)
11	B1340025S	BLOWER MOTOR 1/3 HP, 4 SP, 6 PL (M1, M2, M4)
11	20046618S	BLOWER MOTOR 3/4 HP (M8)
21	B1368047A	BLOWER WHEEL 10 X 10 (M6, M7, M8)
21	B1368034	BLOWER WHEEL 10 X 6 (M1, M2)
21	B1368016S	BLOWER WHEEL 10 X 8 (M3, M5)
21	B1368058S	BLOWER WHEEL 10 X 8 (M4)
31	B1370155	AUXILIARY LIMIT SWITCH 120°F
51	B1393331	MACHINE SCREW, 1/4-20 TYPE F SLOTTED (QTY 3)
71	764741F	BLOWER BLOCK-OFF 10 X 10 (M6, M7, M8)
71	764739	BLOWER BLOCK-OFF 10 X 6 (M1, M2)
71	764740F	BLOWER BLOCK-OFF 10 X 8 (M3, M4, M5)
81	2539307S	BLOWER SHELL ASSY 10 X 10 (M6, M7, M8)
81	2539305S	BLOWER SHELL ASSY 10 X 6 (M1, M2)
81	2539306S	BLOWER SHELL ASSY 10 X 8 (M3, M4, M5)
81	B4026009	GAS MANIFOLD 6 CELL (M8)
NS	0259F00018	12-PIN WIRE HARNESS ASSY

*Image 2:*

12	B1141605	TRANSFORMER 120V TO 24V, 40VA
52	PCBBF109S	IGNITION BOARD, HSI INTEGRATED 2 STAGE
62	CAP125000370RPS	CAPACITOR 12.5/370V (M1, M2, M4)
62	CAP200000370RPS	CAPACITOR 20/370V (M3, M5, M6, M7)
62	CAP250000370RPS	CAPACITOR 25/370V (M8)

Expanded Model Nomenclature

M1 - AMH80453AXAA
M2 - AMH80703AXAA
M3 - AMH80704BXAA
M4 - AMH80903BXAA
M5 - AMH80904BXAA
M6 - AMH80905CXAA
M7 - AMH81155CXAA
M8 - AMH81405DXAA

# Heat Exchanger Assy/Flue Collector Box w/Separate Chimney Assy

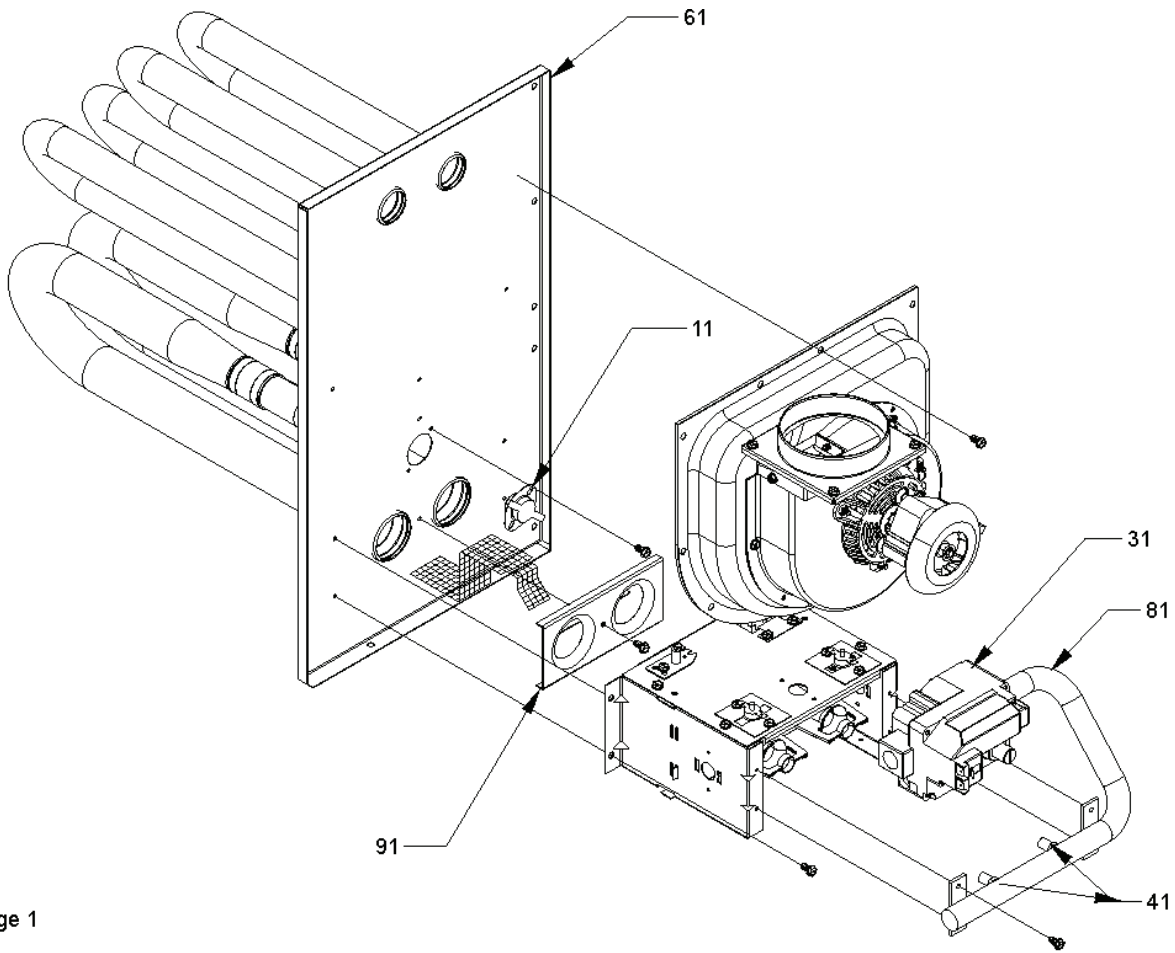
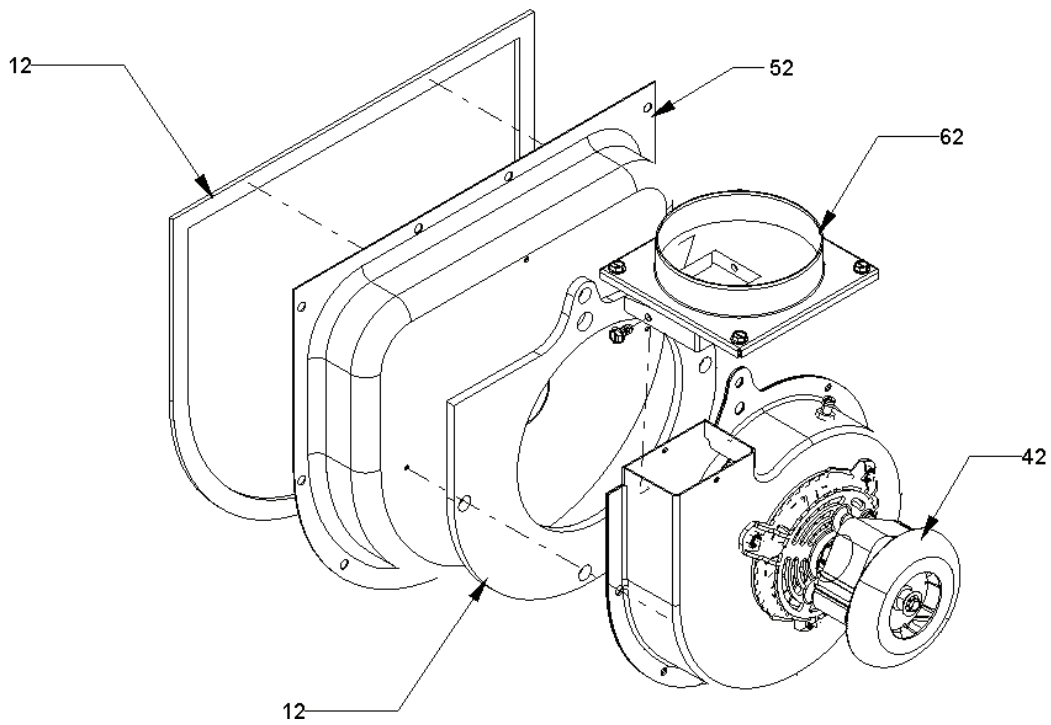


Image 1

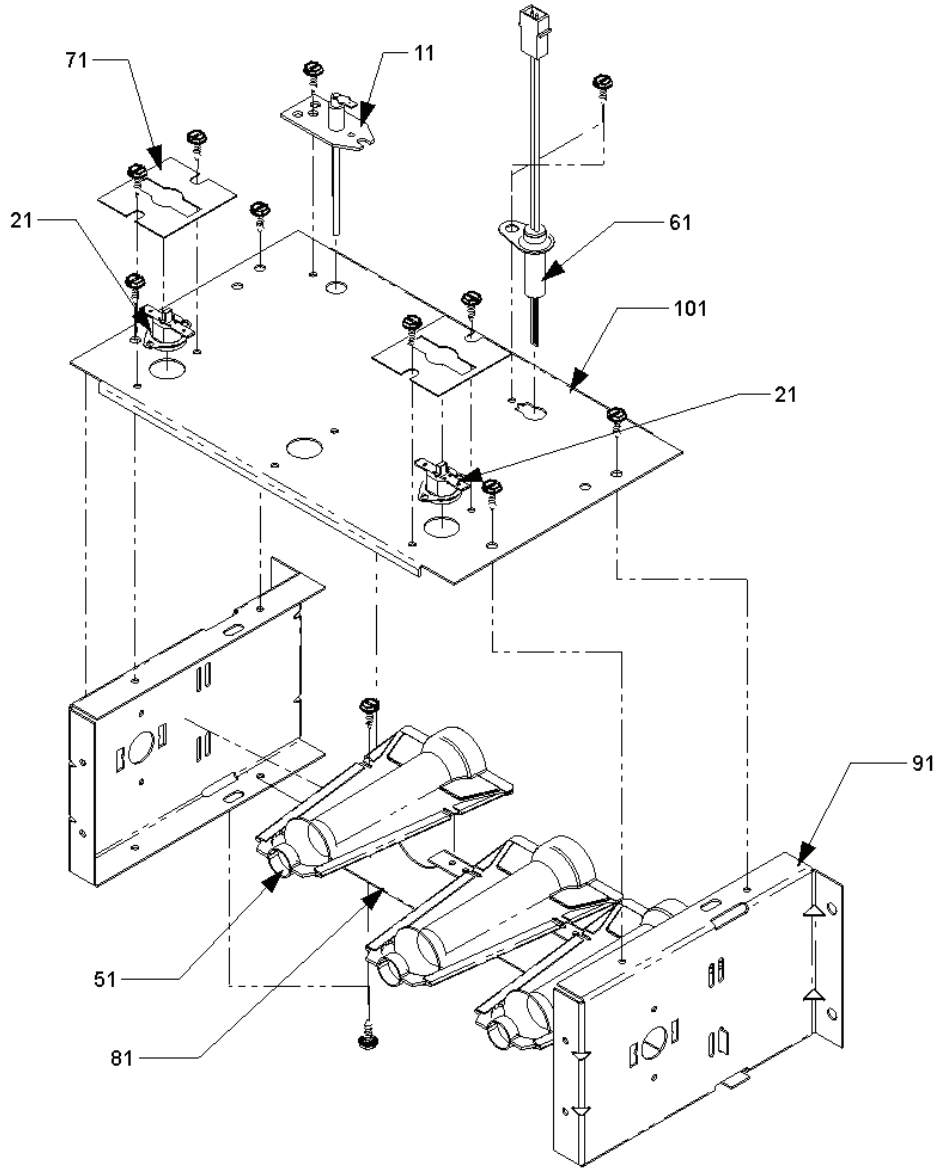
Image 2



# Heat Exchanger Assy/Flue Collector Box w/Separate Chimney Assy

Ref Part No:	Description:	Ref. Part No:	Description:
<i>Image 1:</i>		Expanded Model Nomenclature	
11	B1370198	PRIMARY LIMIT SWITCH 150°F (M4, M7, M8)	M1 - AMH80453AXAA
11	B1370187	PRIMARY LIMIT SWITCH 160°F (M2)	M2 - AMH80703AXAA
11	B1370188	PRIMARY LIMIT SWITCH 170°F (M3, M5)	M3 - AMH80704BXAA
11	B1370189	PRIMARY LIMIT SWITCH 200°F (M6)	M4 - AMH80903BXAA
11	B1370190	PRIMARY LIMIT SWITCH 210°F (M1)	M5 - AMH80904BXAA
31	0151F00000P	GAS VALVE	M6 - AMH80905CXAA
41	10716003	ORIFICE (QTY 2)	M7 - AMH81155CXAA
61	4021313	SUB-ASSY, HEAT EXCHANGER 2 CELL 14" (M1)	M8 - AMH81405DXAA
61	4021314	SUB-ASSY, HEAT EXCHANGER 3 CELL 14" (M2)	
61	4021315S	SUB-ASSY, HEAT EXCHANGER 3 CELL 17.5" (M3)	
61	4021316	SUB-ASSY, HEAT EXCHANGER 4 CELL 17.5" (M4, M5)	
61	4021317S	SUB-ASSY, HEAT EXCHANGER 4 CELL 21" (M6)	
61	4021318S	SUB-ASSY, HEAT EXCHANGER 5 CELL 21" (M7)	
61	4021319	SUB-ASSY, HEAT EXCHANGER 6 CELL 24.5" (M8)	
81	B4026005	GAS MANIFOLD 2 CELL (M1)	
81	B4026006	GAS MANIFOLD 3 CELL (M2, M3)	
81	B4026007	GAS MANIFOLD 4 CELL (M4, M5, M6)	
81	B4026008	GAS MANIFOLD 5 CELL (M7)	
91	4028000	ORIFICE PLATE 2 CELL (M1)	
91	4028001	ORIFICE PLATE 3 CELL (M2, M3)	
91	4028002	ORIFICE PLATE 4 CELL (M4, M5, M6)	
91	4028003	ORIFICE PLATE 5 CELL (M7)	
91	4028004	ORIFICE PLATE 6 CELL (M8)	
<i>Image 2:</i>			
12	B1392633	VENT MOTOR GASKET 14" (M1, M2)	
12	B1392634	VENT MOTOR GASKET 17.5" (M3, M4, M5)	
12	B1392635	VENT MOTOR GASKET 21" (M6, M7)	
12	B1392636	VENT MOTOR GASKET 24.5" (M8)	
42	0131M00002S	VENT MOTOR 80+	
52	4010012S	FLUE COLLECTOR BOX 14" 1.500 DIA MOD A (M1)	
52	4010013S	FLUE COLLECTOR BOX 14" 2.000 DIA MOD A (M2)	
52	4010014S	FLUE COLLECTOR BOX 17.5" 2.000 MOD A (M3)	
52	4010015S	FLUE COLLECTOR BOX 17.5" 2.000 MOD A (M4, M5)	
52	4010017S	FLUE COLLECTOR BOX 21" 2.250 DIA MOD A (M7)	
52	4010016S	FLUE COLLECTOR BOX 21", 2.000 DIA MOD A (M6)	
52	4010018S	FLUE COLLECTOR BOX 24.5" 3.625 DIA MOD A (M8)	
62	4053501S	CHIMNEY ASSEMBLY	

# Burner Box



# Burner Box

Ref Part No:	Description:	Ref. Part No: No:	Description:
<i>Image 1:</i>			
11	0130F00010		FLAME SENSOR
21	B1370145		ROLLOUT SWITCH 300° (QTY 2)
51	B4022700		INSHOT BURNER ASSY 3" (QTY 2)
61	0130F00008S		SINI IGNITOR 17 SEC
71	2509503		ROLLOUT SWITCH BRACKET (QTY 2)
81	2513500		BURNER RACK 2 CELL (M1)
81	2513501		BURNER RACK 3 CELL (M2, M3)
81	2513502		BURNER RACK 4 CELL (M4, M5, M6)
81	2513503		BURNER RACK 5 CELL (M7)
81	2513504		BURNER RACK 6 CELL (M8)
91	2514000		SIDE PLATE, BURNER BOX (QTY 2)
101	4013010		BURNER BOX TOP 2 CELL (M1)
101	4013011		BURNER BOX TOP 3 CELL (M2, M3)
101	4013012		BURNER BOX TOP 4 CELL (M4, M5, M6)
101	4013013		BURNER BOX TOP 5 CELL (M7)
101	4013014		BURNER BOX TOP 6 CELL (M8)
NS	0259F00020		IGNITOR WIRE HARNESS ASSY

## Expanded Model Nomenclature

M1 - AMH80453AXAA
M2 - AMH80703AXAA
M3 - AMH80704BXAA
M4 - AMH80903BXAA
M5 - AMH80904BXAA
M6 - AMH80905CXAA
M7 - AMH81155CXAA
M8 - AMH81405DXAA