
AMH 80% Two Stage Multi-Position Furnace

AMH80403ANBD
AMH80403AXBD
AMH80603ANBD
AMH80603AXBD
AMH80604BNBD
AMH80604BXBD
AMH80803BNBD
AMH80803BXBD
AMH80804BNBD
AMH80804BXBD
AMH80805CNBD
AMH80805CXBD
AMH81005CNBD
AMH81005CXBD
AMH81205DNBB
AMH81205DXBB
AMH81405DXCF



Amana® is a registered trademark of Maytag Corporation or its related companies and is used under license. All rights reserved.

This manual is to be used by qualified technicians only.

© 2018 Goodman Manufacturing Company, L.P. ♦ 5151 San Felipe St, Suite 500 ♦ Houston, TX 77056

Important Information

Index

Functional Parts List	3
Illustration and Parts	4 - 9

Views shown are for parts illustrations only, not servicing procedures.

Text Codes:

AR - As Required

NA - Not Available

NS - Not Shown

00000000 - See Note

QTY - Quantity Example (QTY 3) (If Quantity not shown, Quantity = 1)

M - Model Example (M1) (If M Code not shown, then part is used on all Models)

Expanded Model Nomenclature:

Example
M1 - Model#1
M2 - Model#2
M3 - Model#3

Goodman Manufacturing Company, L.P. is not responsible for personal injury or property damage resulting from improper service. Review all service information before beginning repairs.

Warranty service must be performed by an authorized technician, using authorized factory parts. If service is required after the warranty expires, Goodman Manufacturing Company, L.P. also recommends contacting an authorized technician and using authorized factory parts.

Goodman Manufacturing Company, L.P. reserves the right to discontinue, or change at any time, specifications or designs without notice or without incurring obligations.

For assistance within the U.S.A. contact:
Homeowner Support
Goodman Manufacturing Company, L.P.
19001 Kermier Road
Waller, Texas 77484
877-254-4729-Telephone
713-863-2382-Facsimile

For assistance outside the U.S.A. contact:
International Division
Goodman Manufacturing Company, L.P.
19001 Kermier Road
Waller, Texas 77484
713-861-2500-Telephone
713-863-2382-Facsimile

Functional Parts

Part

No: Description:

20162904	*PRIMARY LIMIT-TEMPERATURE CONTROL (M3, M4, M5, M6, M7, M8, M9, M10, M13, M14) *Refer to service bulletin SF-054
0130F00042	AIR PRESSURE SWITCH (M15, M16, M17)
B1370158	AIR PRESSURE SWITCH, LIME (M1, M2, M7, M8, M9, M10, M13, M14)
B1370179	AIR PRESSURE SWITCH, PINK (M3, M4, M5, M6, M11, M12)
0130F00038	AUX LIMIT - LT BLUE 120°
B1368034	BLOWER WHEEL (10 X 6) (M1, M2, M3, M4)
B1368058	Blower Wheel (10 X 8) (M7, M8)
B1368000	BLOWER WHEEL (11 X 10) (M15, M16, M17)
CAP200000370CP	CAP, 20 MFD/370V/ RD (M1, M2, M3, M4, M5, M6, M7, M8, M9, M10, M11, M12, M13, M14)
CAP250000370CP	CAP, 25 MFD/370V/ RD (M15, M16, M17)
0130F00010	FLAME SENSOR
0151M00027	GAS VALVE
10690402	INTERLOCK SWITCH
20162901	LIMIT (M1, M2)
10123529	MANUAL RESET R.O.S. LIMIT (QTY 2)
0131F00043	MOTOR, 1/2HP, 4SP, 6PL (M11, M12, M13, M14)
0131F00042	MOTOR, 1/2HP, 4SP, 6PL (M5, M6, M9, M10)
0131F00041	MOTOR, 1/3HP, 4SP, 6PL (M1, M2, M3, M4, M7, M8)
0131M00002P	MOTOR, VENT 80+
20046618	MOTOR-BLOW 3/4 HP (M15, M16, M17)
PCBBF132	PCB 2STAGE HYBRID FURNACE CNTL
20162903	PRIMARY LIMIT - BLUE (M11, M12, M15, M16, M17)
0130F00008	SINI IGNITOR
0130M00140	TRANSFORMER 120V TO 24V, 40VA
0150M00042	WHEEL, BLOWER (10 X 10) (M11, M12, M13, M14)
0150M00043	WHEEL, BLOWER (10 X 8) (M5, M6, M9, M10)

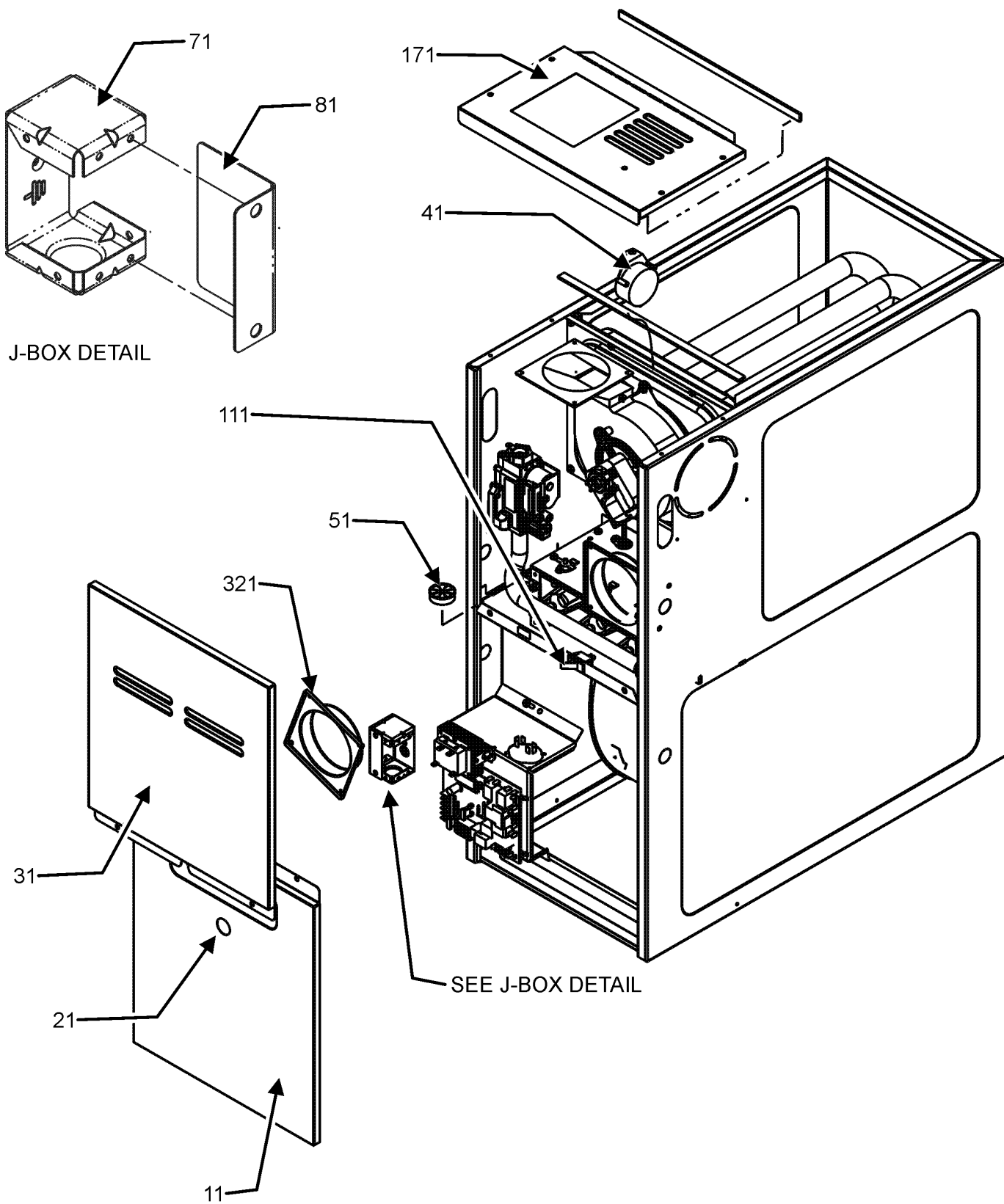
Expanded Model Nomenclature

M1 - AMH80403ANBD
M2 - AMH80403AXBD
M3 - AMH80603ANBD
M4 - AMH80603AXBD
M5 - AMH80604BNBD
M6 - AMH80604BXBD
M7 - AMH80803BNBD
M8 - AMH80803BXBD
M9 - AMH80804BNBD
M10 - AMH80804BXBD
M11 - AMH80805CNBD
M12 - AMH80805CXBD
M13 - AMH81005CNBD
M14 - AMH81005CXBD
M15 - AMH81205DNBB
M16 - AMH81205DXBB
M17 - AMH81405DXCF

SPECIAL PARTS

0161F00006	AMANA NAMEPLATE
------------	-----------------

Cabinet Assembly



Cabinet Assembly

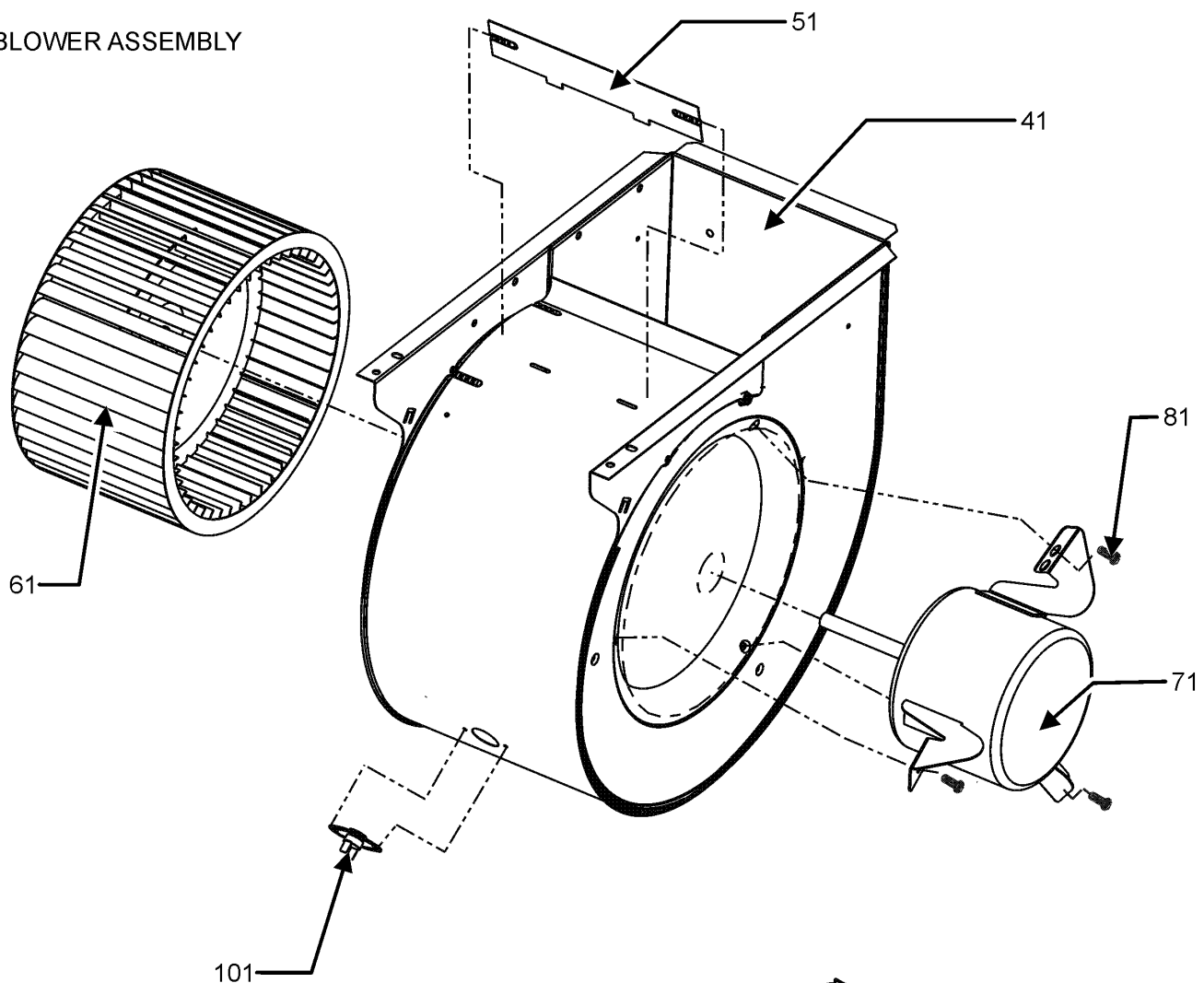
Ref. Part No:	Ref. Part No:	Description:	Description:
Image 1:			
11	0121F00122LG	DOOR, BLOWER, 14"-PAINTED (M1, M2, M3, M4)	
11	0121F00123LG	DOOR, BLOWER, 17.5" PAINTED (M5, M6, M7, M8, M9, M10)	
11	0121F00124LG	DOOR, BLOWER, 21"-PAINTED (M11, M12, M13, M14)	
11	0121F00125LG	DOOR, BLOWER, 24.5"-PAINTED (M15, M16, M17)	
21	B1392139	VIEW PORT BUSHING-BLOWER DOOR	
31	0121F00118LG	DOOR CTRL ACCESS, 14"-PAINTED (M1, M2, M3, M4)	
31	0121F00120LG	DOOR CTRL ACCESS, 21"-PAINTED (M11, M12, M13, M14)	
31	0121F00121LG	DOOR CTRL ACCESS, 24.5"PAINTED (M15, M16, M17)	
31	0121F00119LG	DOOR CTRL ACCESS, 17.5"-PAINTED (M5, M6, M7, M8, M9, M10)	
41	0130F00042	AIR PRESSURE SWITCH (M15, M16, M17)	
41	B1370158	AIR PRESSURE SWITCH, LIME (M1, M2, M7, M8, M9, M10, M13, M14)	
41	B1370179	AIR PRESSURE SWITCH, PINK (M3, M4, M5, M6, M11, M12)	
51	B1392147	UNIVERSAL BUSHING WITH SLICE	
71	4014502	J-BOX	
81	4015502	J-BOX COVER	
111	10690402	INTERLOCK SWITCH	
171	0121F00141DG	TOP, FURNACE 14"-PAINTED (M1, M2, M3, M4)	
171	0121F00142DG	TOP, FURNACE 17.5"-PAINTED (M5, M6, M7, M8, M9, M10)	
171	0121F00143DG	TOP, FURNACE 21"-PAINTED (M11, M12, M13, M14)	
171	0121F00463DG	TOP, FURNACE 24.5" PAINTED (M15, M16, M17)	
321	4023500	CHIMNEY TRANSITION TOP	
NS	0161F00006	AMANA NAMEPLATE	

Expanded Model Nomenclature

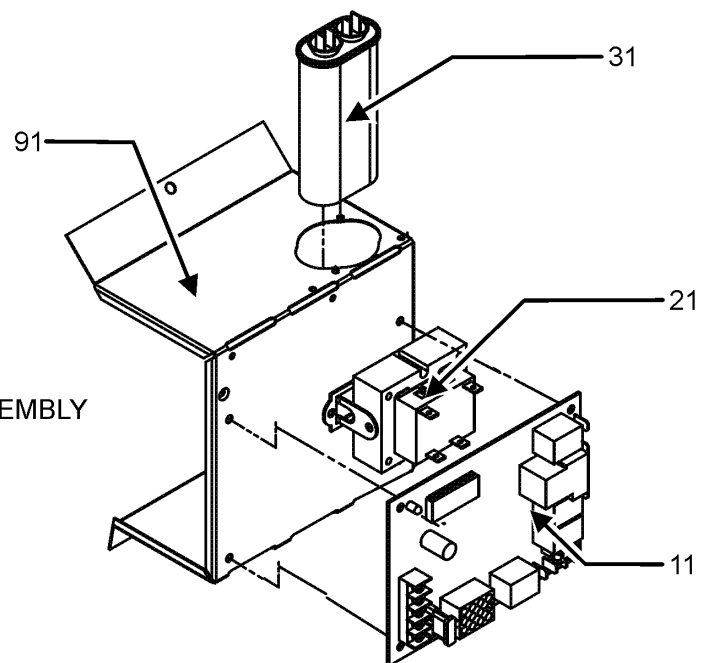
M1 - AMH80403ANBD
M2 - AMH80403AXBD
M3 - AMH80603ANBD
M4 - AMH80603AXBD
M5 - AMH80604BNBD
M6 - AMH80604BXBD
M7 - AMH80803BNBD
M8 - AMH80803BXBD
M9 - AMH80804BNBD
M10 - AMH80804BXBD
M11 - AMH80805CNBD
M12 - AMH80805CXBD
M13 - AMH81005CNBD
M14 - AMH81005CXBD
M15 - AMH81205DNBB
M16 - AMH81205DXBB
M17 - AMH81405DXCF

Blower Assembly

BLOWER ASSEMBLY



CONTROL PANEL ASSEMBLY



Blower Assembly

Ref. Part No:	Part No:	Description:	Ref. Part No:	Part No:	Description:
---------------	----------	--------------	---------------	----------	--------------

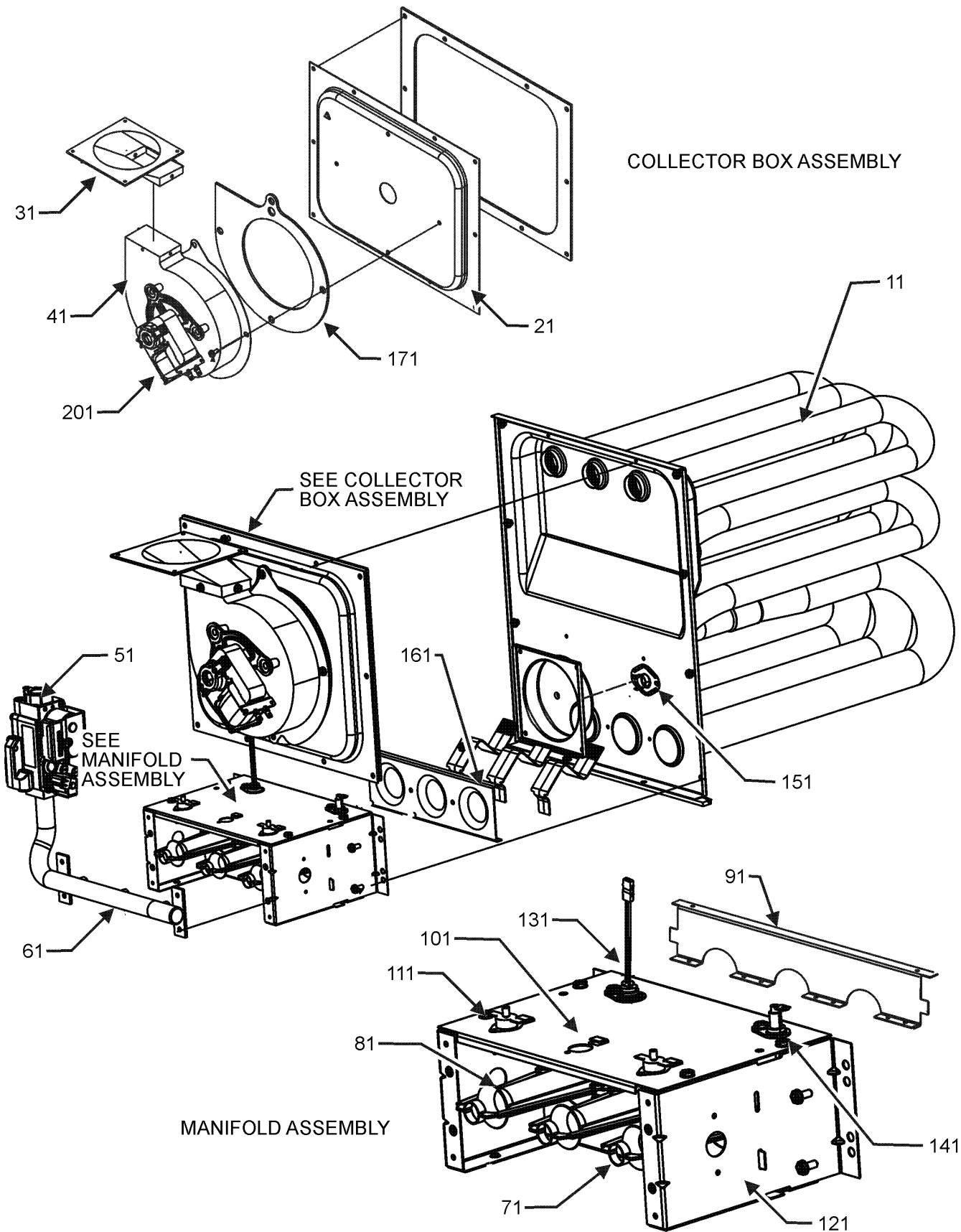
Image 1:

11	PCBBF132	PCB 2STAGE HYBRID FURNACE CNTL
21	0130M00140	TRANSFORMER 120V TO 24V, 40VA
31	CAP200000370CP	CAP, 20 MFD/370V/ RD (M1, M2, M3, M4, M5, M6, M7, M8, M9, M10, M11, M12, M13, M14)
31	CAP250000370CP	CAP, 25 MFD/370V/ RD (M15, M16, M17)
41	2539307	BLWR SHL ASM 10X10 10X10 (M11, M12, M13, M14, M15, M16, M17)
41	2539305	BLWR SHL ASM 10X6 10X6 (M1, M2, M3, M4)
41	2539306	BLWR SHL ASM 10X8 10X8 (M5, M6, M7, M8, M9, M10)
51	764741	BLWR BLK-OFF,10X10 (M11, M12, M13, M14, M15, M16, M17)
51	764739	BLWR BLK-OFF,10X6 (M1, M2, M3, M4)
51	764740	BLWR BLK-OFF,10X8 (M5, M6, M7, M8, M9, M10)
61	B1368034	BLOWER WHEEL (10 X 6) (M1, M2, M3, M4)
61	B1368058	Blower Wheel (10 X 8) (M7, M8)
61	B1368000	BLOWER WHEEL (11 X 10) (M15, M16, M17)
61	0150M00042	WHEEL, BLOWER (10 X 10) (M11, M12, M13, M14)
61	0150M00043	WHEEL, BLOWER (10 X 8) (M5, M6, M9, M10)
71	0131F00042	MOTOR, 1/2HP, 4SP, 6PL (M5, M6, M9, M10)
71	0131F00043	MOTOR, 1/2HP, 4SP, 6PL (M11, M12, M13, M14)
71	0131F00041	MOTOR, 1/3HP, 4SP, 6PL (M1, M2, M3, M4, M7, M8)
71	20046618	MOTOR-BLOW 3/4 HP (M15, M16, M17)
81	M0250558	TC SCREW (QTY 3)
91	1815817	CONTROL MOUNT PANEL
101	0130F00038	AUX LIMIT - LT BLUE 120°

Expanded Model Nomenclature

M1 - AMH80403ANBD
M2 - AMH80403AXBD
M3 - AMH80603ANBD
M4 - AMH80603AXBD
M5 - AMH80604BNBD
M6 - AMH80604BXBD
M7 - AMH80803BNBD
M8 - AMH80803BXBD
M9 - AMH80804BNBD
M10 - AMH80804BXBD
M11 - AMH80805CNBD
M12 - AMH80805CXBD
M13 - AMH81005CNBD
M14 - AMH81005CXBD
M15 - AMH81205DNBB
M16 - AMH81205DXBB
M17 - AMH81405DXCF

Heat Exchange Assembly



Heat Exchange Assembly

Ref. Part No: No:	Description:	Ref. Part No: No:	Description:
Image 1:		Image 1:	
11	0270F00931 HEAT EXCHANGER ASSY (M1, M2)	NS	0259F00274 WIRE HARNESS ASSY (M1, M2, M3, M4, M5, M6, M7, M8, M9, M10)
11	0270F00932 HEAT EXCHANGER ASSY (M3, M4)	NS	0259F00275 WIRE HARNESS ASSY (M11, M12, M13, M14, M15, M16, M17)
11	0270F00933 HEAT EXCHANGER ASSY (M5, M6)	NS	0159F00060 WIRE HARNESS ASSY., IGNITOR
11	0270F00934 HEAT EXCHANGER ASSY (M7, M8, M9, M10)	Expanded Model Nomenclature	
11	0270F00935 HEAT EXCHANGER ASSY (M11, M12)	<div style="border: 1px solid black; padding: 5px;"> M1 - AMH80403ANBD M2 - AMH80403AXB M3 - AMH80603ANBD M4 - AMH80603AXB M5 - AMH80604BNBD M6 - AMH80604BxB M7 - AMH80803BNBD M8 - AMH80803BxB M9 - AMH80804BNBD M10 - AMH80804BxB M11 - AMH80805CNBD M12 - AMH80805CXBD M13 - AMH81005CNBD M14 - AMH81005CXBD M15 - AMH81205DNBB M16 - AMH81205DXBB M17 - AMH81405DXCF </div>	
11	0270F00936 HEAT EXCHANGER ASSY (M13, M14)		
11	0270F00937 HEAT EXCHANGER ASSY (M15, M16, M17)		
21	0121F00333 21" COLLECTOR BOX 1.75" DIA (M11, M12, M13, M14)		
21	0121F00330 24.5" COLLECTOR BOX 2.125" DIA (M15, M16)		
21	0121F00126 COLLECTOR BOX 14" 1.375 DIA (M1, M2)		
21	0121F00128 COLLECTOR BOX 17.5" 1.75 DIA (M5, M6, M7, M8, M9, M10)		
21	0121F00131 COLLECTOR BOX 24.5" 3.5 DIA (M17)		
21	0121F00198 COLLECTOR BOX, 14" 1.75 DIA (M3, M4)		
31	0128F00006 CHIMNEY TRANSITION BOTTOM		
41	0131M00002P MOTOR, VENT 80+		
51	0151M00027 GAS VALVE		
61	0120F00006 MANIFOLD (M1, M2)		
61	0120F00007 MANIFOLD (M3, M4, M5, M6)		
61	0120F00008 MANIFOLD (M7, M8, M9, M10, M11, M12)		
61	0120F00009 MANIFOLD (M13, M14)		
61	0120F00010 MANIFOLD (M15, M16, M17)		
71	0163F00018 ORIFICE, #43 DRILL, Green (M17)		
71	10716005 ORIFICE, #45 DRILL (M1, M2, M3, M4, M5, M6, M7, M8, M9, M10, M11, M12, M13, M14, M15, M16)		
81	B4022700 INSHOT BURNER ASSY 3" (QTY 2)		
91	0121F00167 BURNER RACK, 2 CELL (M1, M2)		
91	0121F00168 BURNER RACK, 3 CELL (M3, M4, M5, M6)		
91	0121F00169 BURNER RACK, 4 CELL (M7, M8, M9, M10, M11, M12)		
91	0121F00170 BURNER RACK, 5 CELL (M13, M14)		
91	0121F00171 BURNER RACK, 6 CELL (M15, M16, M17)		
101	0121F00162 TOP, BURNER BOX 2 CELL (M1, M2)		
101	0121F00163 TOP, BURNER BOX 3 CELL (M3, M4, M5, M6)		
101	0121F00164 TOP, BURNER BOX 4 CELL (M7, M8, M9, M10, M11, M12)		
101	0121F00165 TOP, BURNER BOX 5 CELL (M13, M14)		
101	0121F00166 TOP, BURNER BOX 6 CELL (M15, M16, M17)		
111	10123529 MANUAL RESET R.O.S. LIMIT (QTY 2)		
121	0121F00146 BURNER BOX SIDE (QTY 2)		
131	0130F00008 SINI IGNITOR		
141	0130F00010 FLAME SENSOR		
151	20162904 *PRIMARY LIMIT-TEMPERATURE CONTROL (M3, M4, M5, M6, M7, M8, M9, M10, M13, M14) *Refer to service bulletin SF-054		
151	20162901 LIMIT (M1, M2)		
151	20162903 PRIMARY LIMIT - BLUE (M11, M12, M15, M16, M17)		
161	4028000 ORIFICE PLATE, 2CELL (M1, M2)		
161	4028001 ORIFICE PLATE, 3CELL (M3, M4, M5, M6)		
161	4028002 ORIFICE PLATE, 4CELL (M7, M8, M9, M10, M11, M12)		
161	4028003 ORIFICE PLATE, 5CELL (M13, M14)		
161	4028004 ORIFICE PLATE, 6CELL (M15, M16, M17)		
171	0154F00003 VENT MOTOR GASKET 14" (M1, M2, M3, M4)		
171	0154F00004 VENT MOTOR GASKET 17.5" (M5, M6, M7, M8, M9, M10)		
171	0154F00005 VENT MOTOR GASKET 21" (M11, M12, M13, M14)		
201	DY6.186.070 VENT MOTOR CAPACITOR		
NS	0259M00005 ADAPTER HARNESS		
NS	0259F00050 KIT, WIRE HYBRID FURN		