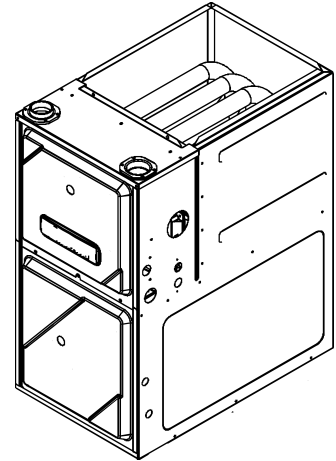


AMES 96% Ultra Low Nox Single Stage Gas Furnace

AMES960403BUAA
AMES960403BUAB
AMES960603BUAA
AMES960603BUAB
AMES960805CUAA
AMES960805CUAB



Amana® is a registered trademark of Maytag Corporation or its related companies and is used under license. All rights reserved.

This manual is to be used by qualified technicians only.

This manual replaces RP-A2303B

© 2019 - 2020 Goodman Company, L.P. ♦ 5151 San Felipe St, Suite 500 ♦ Houston, TX 77056

Important Information

Index

Functional Parts List	3
Illustration and Parts	4 - 11

Views shown are for parts illustrations only, not servicing procedures

Text Codes:

AR - As Required

NA - Not Available

NS - Not Shown

00000000 - See Note

QTY - Quantity Example (QTY 3) (If Quantity not shown, Quantity = 1)

M - Model Example (M1) (If M Code not shown, then part is used on all Models)

Expanded Model Nomenclature:

Example M1 - Model#1 M2 - Model#2 M3 - Model#3

Goodman Company, L.P. is not responsible for personal injury or property damage resulting from improper service. Review all service information before beginning repairs.

Warranty service must be performed by an authorized technician, using authorized factory parts. If service is required after the warranty expires, Goodman Company, L.P. also recommends contacting an authorized technician and using authorized factory parts.

Goodman Company, L.P. reserves the right to discontinue, or change at any time, specifications or designs without notice or without incurring obligations.

For assistance within the U.S.A. contact:

Homeowner Support
Goodman Company, L.P.
19001 Kermier Road
Waller, Texas 77484
877-254-4729-Telephone
713-863-2382-Facsimile

For assistance outside the U.S.A. contact:

International Division
Goodman Company, L.P.
19001 Kermier Road
Waller, Texas 77484
713-861-2500-Telephone
713-863-2382-Facsimile

Functional Parts

Part

No: Description:

0271F00181	BLOWER HSG ASSY (M1, M2)
0271F00159	BLOWER SHELL & WHEEL ASSY (M3, M4)
0271F00161	BLOWER SHELL & WHEEL ASSY (M5, M6)
PCBBF158	CONTROL BOARD (M5, M6)
PCBBF159	CONTROL BOARD (M1, M2)
PCBBF160	CONTROL BOARD (M3, M4)
0130F00762	FLAME SENSOR
0151M00094	GAS VALVE
0257F00436	HEAT EXCHANGER ASSY (M5, M6)
0257F00434	HEAT EXCHANGER ASSY (M3, M4)
0257F00432	HEAT EXCHANGER ASSY (M1, M2)
0130M00243	INTERLOCK SWITCH
0130F00071	LIMIT SWITCH (M3, M4)
0131F00184	MOTOR PROGRAMMED (M6)
0131F00172	MOTOR PROGRAMMED (M2, M4)
0131F00049	MOTOR, BLOWER (M5)
0131F00035	MOTOR, BLOWER (M1, M3)
0130F00529	PRESSURE TRANSDUCER
20162903	PRIMARY LIMIT - BLUE (M1, M2, M5, M6)
0130F00037	AUX LIMIT - GRAY 150° (AUX) (QTY 2)
0130F00596	SWITCH, HIGH LIMIT ULN
0130F00684	SWITCH, PRESSURE
0163F00055	ULN Burner Assy (M1, M2)
0163F00056	ULN Burner Assy (M3, M4)
0163F00057	ULN Burner Assy (M5, M6)
0130F00717	ULN IGNITER

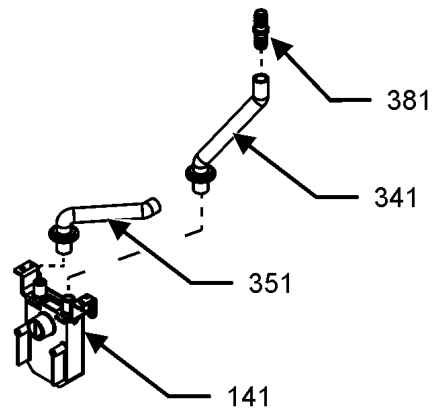
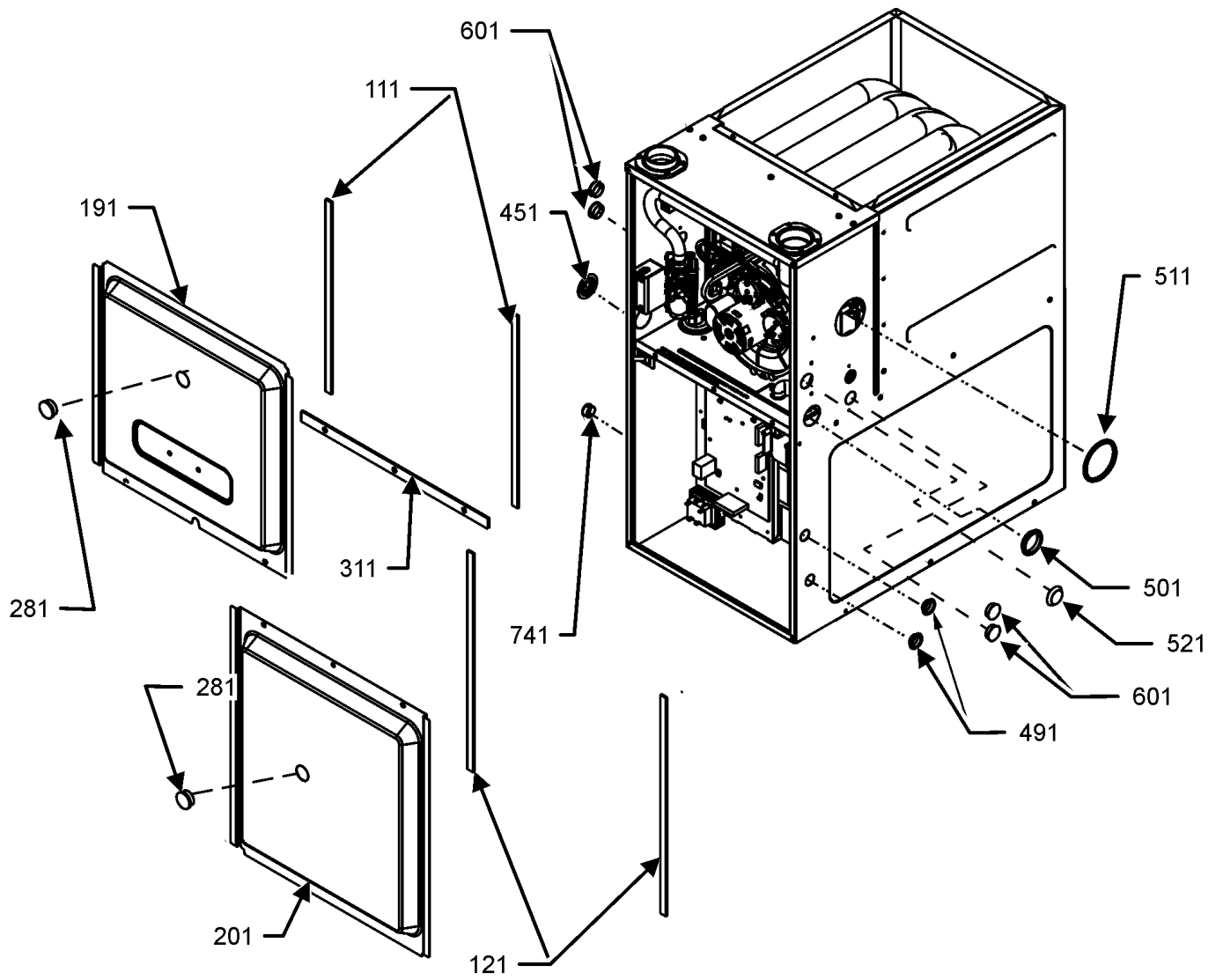
SPECIAL PARTS

0161M00032 NAMEPLATE, AMANA

Expanded Model Nomenclature

M1 - AMES960403BUAA
M2 - AMES960403BUAB
M3 - AMES960603BUAA
M4 - AMES960603BUAB
M5 - AMES960805CUAA
M6 - AMES960805CUAB

CABINET ASSEMBLY



DRAIN TRAP ASSEMBLY

CABINET ASSEMBLY

Ref. Part No:	Ref. Part No:	Description:	Description:
---------------	---------------	--------------	--------------

Image 1:

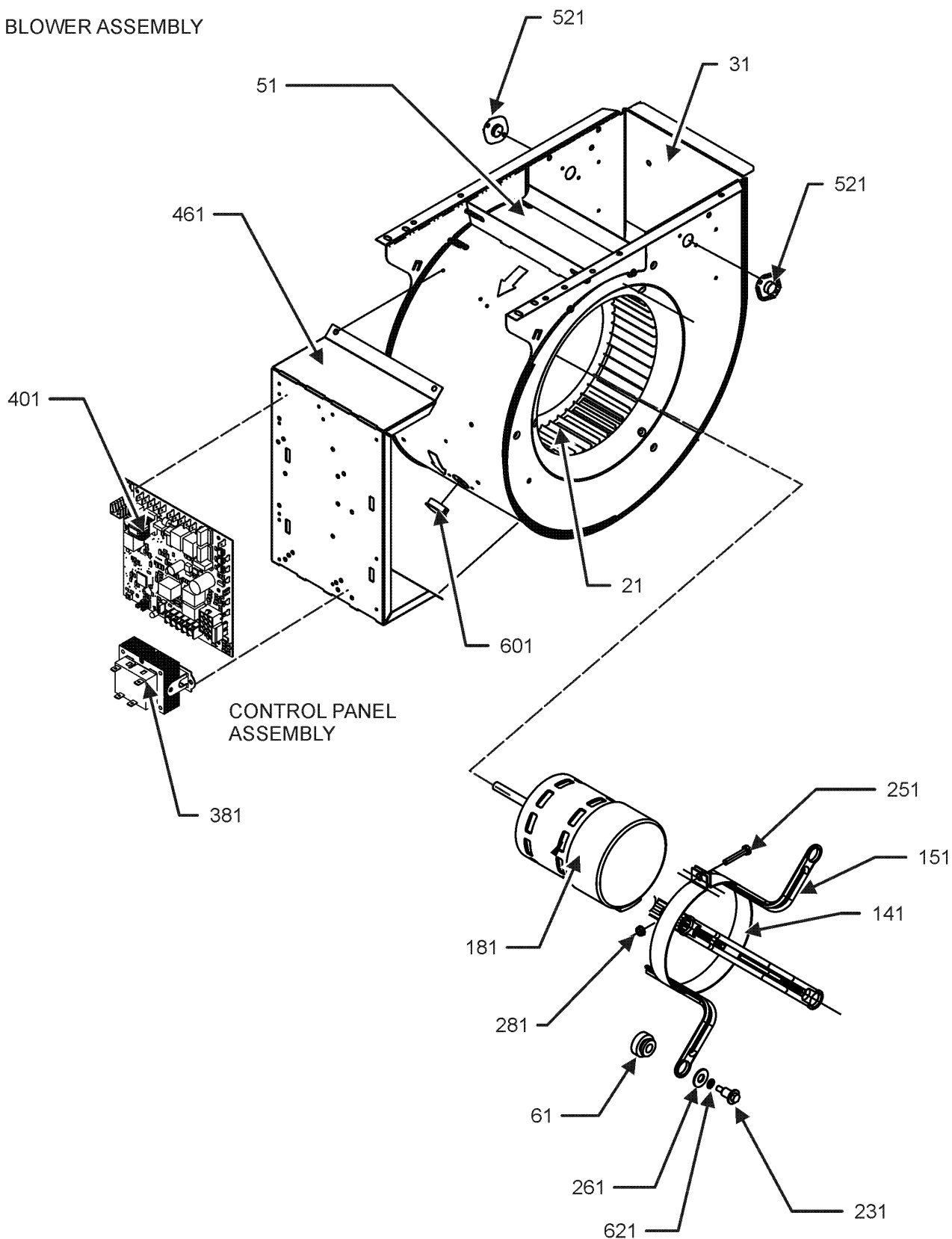
111	0154F00024	GASKET (QTY 2)
121	0154F00025	GASKET (QTY 2)
141	0161F00046	DRAIN TRAP
191	0121F00337LG	DOOR, ACCESS 17.5" PNT (M1, M2, M3, M4)
191	0121F00338LG	DOOR, ACCESS 21" PNT (M5, M6)
201	0121F00340LG	DOOR, BLOWER 17.5" PNT (M1, M2, M3, M4)
201	0121F00341LG	DOOR, BLOWER 21" PNT (M5, M6)
281	B1392139	VIEW PORT BUSHING-BLOWER DOOR (QTY 2)
311	0154F00020	GASKET, DECK (M1, M2, M3, M4)
311	0154F00021	GASKET, DECK (M5, M6)
341	0164F00017	HOSE-ELBOW/TRAP
351	0164F00024	HOSE, COVER/TRAP
381	0161F00047	COUPLING, HOSE BARBED
451	M0501301	PIPE GROMMET
491	M0570808	BUTTON PLUG (QTY 3)
501	M0570806	BUTTON PLUG
511	M0570807	BUTTON PLUG
521	0161M00027	PLUG, HOLE
601	B1392021	PLASTIC PLUG, 1" (2713-BLK) (QTY 4)
741	B1392104	UNIVERSAL BUSHING UB 875
NS	M0310345	BUTTON PLUG (QTY 2)
NS	0163M00460	CLAMP-HOSE (QTY 2)
NS	0270F05248	DRAIN KIT ASSY
NS	0163M00319	HEX NUT-INSERT (QTY 3)
NS	0161M00032	NAMEPLATE, AMANA
NS	M0273904	RETAINER-SCREW (QTY 3)
NS	M0209730	SCREW-DECORATIVE (QTY 3)

Expanded Model Nomenclature

M1 - AMES960403BUAA
M2 - AMES960403BUAB
M3 - AMES960603BUAA
M4 - AMES960603BUAB
M5 - AMES960805CUAA
M6 - AMES960805CUAB

BLOWER ASSEMBLY

BLOWER ASSEMBLY



BLOWER ASSEMBLY MAY DIFFER FROM WHAT IS SHOWN

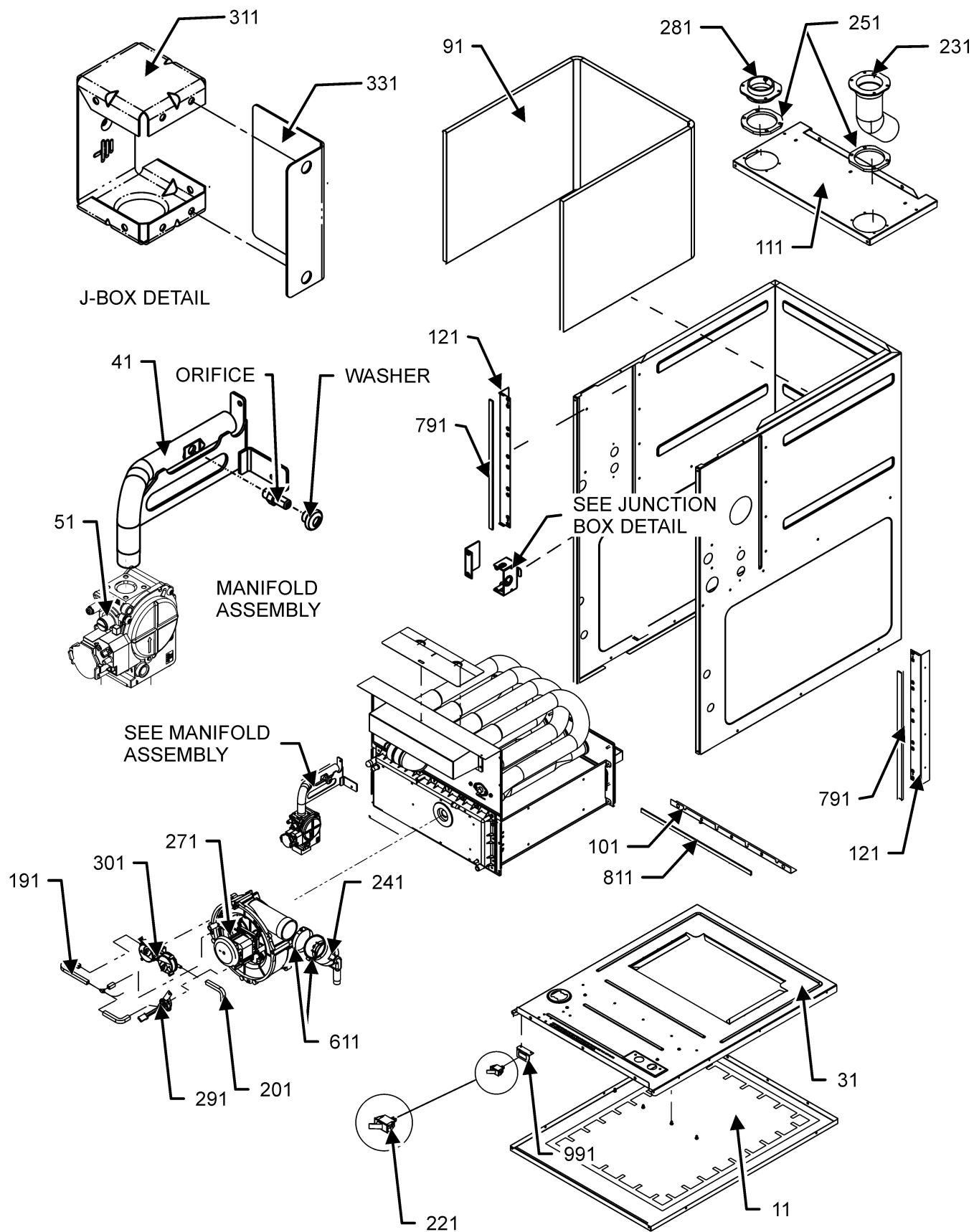
BLOWER ASSEMBLY

Ref. Part No:	Ref. Part No:	Description:	Description:
Image 1:			
31	0271F00181	BLOWER HSG ASSY (M1, M2)	
31	0271F00159	BLOWER SHELL & WHEEL ASSY (M3, M4)	
31	0271F00161	BLOWER SHELL & WHEEL ASSY (M5, M6)	
61	A4002702	BLOWER MOTOR GROMMET (M5)	
141	10441601	BAND-MTR MOUNT (M5)	
141	0121M00038	MOUNT BAND, MOTOR (M1, M2, M3, M4)	
141	0121M00039	MOUNT BAND, MOTOR (HEAVY DUTY) (M6)	
151	0163M00458	ARM MOTOR MOUNT (M5)	
151	B1376857	MOTOR MOUNT ARM (M1, M2, M3, M4)	
151	B1376863	MOUNT ARM, MOTOR (HEAVY DUTY) (M6)	
181	0131F00172	MOTOR PROGRAMMED (M2, M4)	
181	0131F00184	MOTOR PROGRAMMED (M6)	
181	0131F00035	MOTOR, BLOWER (M1, M3)	
181	0131F00049	MOTOR, BLOWER (M5)	
231	0163F00028	SCREW (M5)	
231	M0250565	SCREW-TC 1.25" (M1, M2, M3, M4, M6)	
251	0163M00320	HEX HEAD ALL THREAD TAP BOLT (M6)	
251	M0267144	MACHINE SCREW (M5)	
251	B1393323	SCREW,MACH HWH 1/4-20X1 1/2 BZ (M1, M2, M3, M4)	
261	B1392918	WASHER, FLAT 1/4 ID X 1 OD (M1, M2, M3, M4, M6)	
261	M0274008	WASHER-FLAT (M5)	
281	M0282015	KEPS NUT (M5)	
281	B1393800	LOCKNUT, NYLON, INSERT 1/4,20 (M1, M2, M3, M4, M6)	
381	0130M00140	TRANSFORMER 120V TO 24V, 40VA	
401	PCBBF158	CONTROL BOARD (M5, M6)	
401	PCBBF159	CONTROL BOARD (M1, M2)	
401	PCBBF160	CONTROL BOARD (M3, M4)	
461	0121F00464	MOUNTING PLATE-CONTROLS	
521	0130F00037	AUX LIMIT - GRAY 150° (AUX) (QTY 2)	
601	B1392021	PLASTIC PLUG, 1" (2713-BLK) (QTY 4)	
621	B1392820	WASHER, SPLIT LOCK 1/4 BZ (M5, M6)	
NS	0159F00035	WIRE HARNESS	
NS	0259F00024	WIRE HARNESS-BLOWER	

Expanded Model Nomenclature

M1 - AMES960403BUAA
M2 - AMES960403BUAB
M3 - AMES960603BUAA
M4 - AMES960603BUAB
M5 - AMES960805CUAA
M6 - AMES960805CUAB

CHASSIS ASSEMBLY



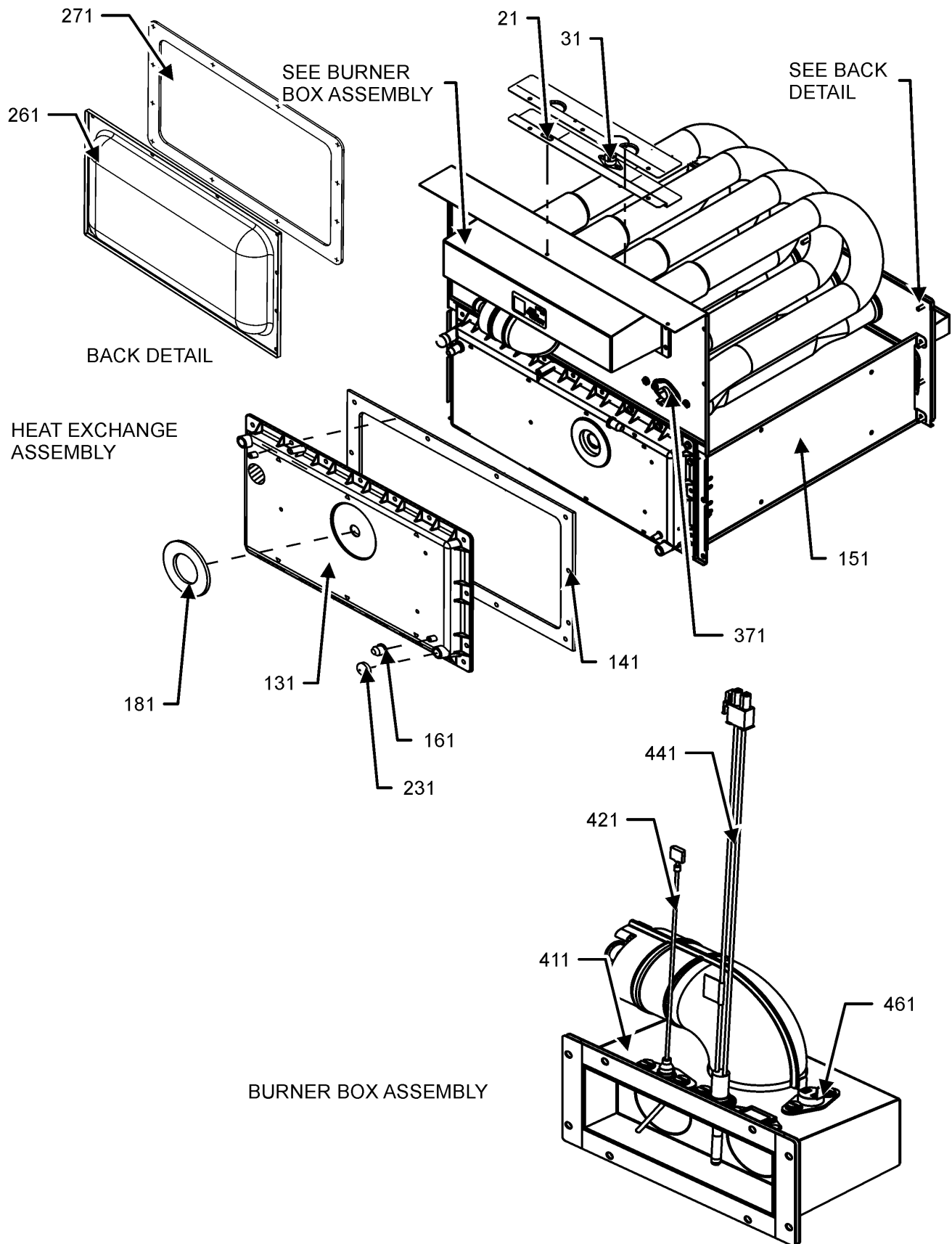
CHASSIS ASSEMBLY

Ref. Part No:	Ref. Part No:	Description:	Description:
Image 1:			
11	0121F00530	BASEPAN, 17.5 (M1, M2, M3, M4)	
11	0121F00531DG	BASEPAN, 21 PNT (M5, M6)	
31	0121F00533	DECK-BLOWER 17.5" (M1, M2, M3, M4)	
31	0121F00534	DECK-BLOWER 21" (M5, M6)	
41	0263F00007	ULN MANIFOLD ASSY (M1, M2)	
41	0263F00008	ULN MANIFOLD ASSY (M3, M4)	
41	0263F00009	ULN MANIFOLD ASSY (M5, M6)	
51	0151M00094	GAS VALVE	
91	0160F00015	INSULATION, HT EXCHANGER 17.5" (M1, M2, M3, M4)	
91	0160F00016	INSULATION, HT EXCHANGER 21" (M5, M6)	
101	0121F00314	ANGLE, DECK (M1, M2, M3, M4)	
101	0121F00315	ANGLE, DECK (M5, M6)	
111	0121F00279DG	PAINTED TOP, FURNACE 17.5 (M1, M2, M3, M4)	
111	0121F00280DG	PAINTED TOP, FURNACE 21 (M5, M6)	
121	0121F00313	ANGLE, SIDE (QTY 2)	
191	0164M00019	HOSE-PRESSURE SW 6"	
201	0164M00015	PRESSURE SWITCH HOSE	
221	0130M00243	INTERLOCK SWITCH	
231	0164F00002	FLUE PIPE W/BEND	
241	0164F00001	ELBOW-FLUE, UPFLOW	
251	0154F00041	FRESH AIR GASKET (QTY 2)	
271	0171M00006	MOTOR, ID BLOWER	
281	0161F00037	COUPLING	
291	0130F00529	PRESSURE TRANSDUCER	
301	0130F00684	SWITCH, PRESSURE	
311	0161F00042	JUNCTION BOX PLA	
331	0161F00043	JUNCTION BOX LID	
611	0163M00460	CLAMP-HOSE (QTY 2)	
791	0154F00015	GASKET (QTY 2)	
811	0154F00014	GASKET (M1, M2, M3, M4)	
811	0154F00016	GASKET (M5, M6)	
991	0121F00389	BRACKET, DOOR SWITCH	
NS	0154F00020	GASKET, DECK (M1, M2, M3, M4)	
NS	0154F00021	GASKET, DECK (M5, M6)	
NS	M0326804	PLUG-TUBE	
NS	0163F00038	ULN ORIFICE (M1, M2)	
NS	0163F00039	ULN ORIFICE (M3, M4)	
NS	0163F00040	ULN ORIFICE (M5, M6)	
NS	0164F00019	ULN WASHER	
NS	0159F00056	WIRING, HARNESS	
NS	0159F00078	WIRING, HARNESS	

Expanded Model Nomenclature

M1 - AMES960403BUAA
M2 - AMES960403BUAB
M3 - AMES960603BUAA
M4 - AMES960603BUAB
M5 - AMES960805CUAA
M6 - AMES960805CUAB

HEAT EXCHANGE ASSEMBLY



HEAT EXCHANGE ASSEMBLY

Ref. Part No:	Ref. Part No:	Description:	Description:
Image 1:			
21	0121F00704	BAFFLE, AIR ULN	
31	0130F00596	SWITCH, HIGH LIMIT ULN	
131	0161F00073	COVER, FRONT (M1, M2, M3, M4)	
131	0161F00074	COVER, FRONT (M5, M6)	
141	0154F00026	GASKET FRONT COVER (M1, M2, M3, M4)	
141	0154F00030	GASKET FRONT COVER (M5, M6)	
151	0257F00432	HEAT EXCHANGER ASSY (M1, M2)	
151	0257F00434	HEAT EXCHANGER ASSY (M3, M4)	
151	0257F00436	HEAT EXCHANGER ASSY (M5, M6)	
161	M0326804	TUBE PLUG	
181	0154F00066	GASKET, ID ORIFICE ULN	
231	A1781105	CAP-VINYL .500	
261	0121F00317	COVER, REAR (M1, M2, M3, M4)	
261	0121F00318	COVER, REAR (M5, M6)	
271	0154F00046	GASKET, REAR CVR (M1, M2, M3, M4)	
271	0154F00047	GASKET, REAR CVR (M5, M6)	
371	0130F00071	LIMIT SWITCH (M3, M4)	
371	20162903	PRIMARY LIMIT - BLUE (M1, M2, M5, M6)	
411	0163F00055	ULN Burner Assy (M1, M2)	
411	0163F00056	ULN Burner Assy (M3, M4)	
411	0163F00057	ULN Burner Assy (M5, M6)	
421	0130F00762	FLAME SENSOR	
441	0130F00717	ULN IGNITER	
461	0130F00596	SWITCH, HIGH LIMIT ULN	
NS	0154F00041	GASKET FRESH AIR (QTY 2)	
NS	0154F00051	GASKET, BRNR FRONT (M1, M2)	
NS	0154F00052	GASKET, BRNR FRONT (M3, M4)	
NS	0154F00053	GASKET, BRNR FRONT (M5, M6)	
NS	0154F00069	GASKET, LIMIT ULN	
NS	0154F00068	GASKET, ULN FLAME SENSOR	
NS	0154F00067	GASKET, ULN IGNITOR	
NS	0121F00743	HEAT SHIELD, PRIMARY LIMIT	
NS	0121F00583	INSULATION, RETAINER (M1, M2, M3, M4)	
NS	0121F00584	INSULATION, RETAINER (M5, M6)	
NS	0121F00355	SHIELD, COIL (QTY 2)	
NS	0259F00277	WIRE HARNESS-BAFFLE LIMIT	

Expanded Model Nomenclature

M1 - AMES960403BUAA
M2 - AMES960403BUAB
M3 - AMES960603BUAA
M4 - AMES960603BUAB
M5 - AMES960805CUAA
M6 - AMES960805CUAB