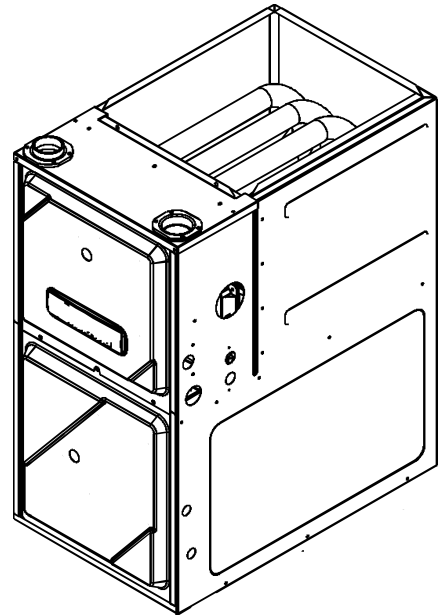


AMES 96% High Efficient Furnace

AMES960403ANAA
AMES960603BNAA
AMES960803BNAA
AMES960804CNAA
AMES960805CNAA
AMES961005CNAA
AMES961205DNAA
AMES961205DNAB



Amana® is a registered trademark of Maytag Corporation or its related companies and is used under license. All rights reserved.

This manual is to be used by qualified technicians only.

This manual replaces RP-A2324.

Important Information

Index

Functional Parts List	3
Illustration and Parts	4 - 11

Views shown are for parts illustrations only, not servicing procedures

Text Codes:

AR - As Required

NA - Not Available

NS - Not Shown

00000000 - See Note

QTY - Quantity Example (QTY 3) (If Quantity not shown, Quantity = 1)

M - Model Example (M1) (If M Code not shown, then part is used on all Models)

Expanded Model Nomenclature:

Example M1 - Model#1 M2 - Model#2 M3 - Model#3

Goodman Company, L.P. is not responsible for personal injury or property damage resulting from improper service. Review all service information before beginning repairs.

Warranty service must be performed by an authorized technician, using authorized factory parts. If service is required after the warranty expires, Goodman Company, L.P. also recommends contacting an authorized technician and using authorized factory parts.

Goodman Company, L.P. reserves the right to discontinue, or change at any time, specifications or designs without notice or without incurring obligations.

For assistance within the U.S.A. contact:

Homeowner Support
Goodman Company, L.P.
19001 Kermier Road
Waller, Texas 77484
877-254-4729-Telephone
713-863-2382-Facsimile

For assistance outside the U.S.A. contact:

International Division
Goodman Company, L.P.
19001 Kermier Road
Waller, Texas 77484
713-861-2500-Telephone
713-863-2382-Facsimile

Functional Parts

Part

No: Description:

20162904	*PRIMARY LIMIT-TEMPERATURE CONTROL (M3, M6, M7, M8)
0163F00017	BECKETT BURNER (QTY 2)
0271F00159	BLOWER SHELL & WHEEL ASSY (M2, M3)
0271F00161	BLOWER SHELL & WHEEL ASSY (M4, M5, M6)
0271F00163	BLOWER SHELL & WHEEL ASSY (M7, M8)
0271F00322	BLOWER SHELL & WHEEL ASSY (M1)
PCBBF145	CIRCUIT BOARD
0130F00010	FLAME SENSOR
0151M00037	GAS VALVE
0257F00418	HEAT EXCHANGER ASSY (M1)
0257F00461	HEAT EXCHANGER ASSY (M8)
0257F00375	HEAT EXCHANGER ASSY (M2)
0257F00290	HEAT EXCHANGER ASSY. (M4, M5)
0257F00354	HEAT EXCHANGER ASSY. (M3)
0257F00291	HEAT EXCHANGER ASSY. (M6)
0257F00309	HEAT EXCHANGER ASSY. (M7)
0130F00008	IGNITOR-SINI 17 SEC
0130M00243	INTERLOCK SWITCH
10123538	MANUAL RESET LIMIT - ROS (M1, M3, M6)
10123539	MANUAL RESET LIMIT - ROS (M2, M4)
10123528	MANUAL RESET LIMIT - ROS (M7, M8)
0130F00123	MANUAL RESET LIMIT - ROS (M5)
0130F00642	PRESSURE SWITCH (M1)
20162903	PRIMARY LIMIT - BLUE (M1, M2, M4, M5)
0130F00038	PRIMARY LIMIT - LT BLUE 120° (AUX) (QTY 2)
0130F00438	SWITCH, PRESSURE (M7, M8)
0130F00442	SWITCH, PRESSURE (M2)
0130F00439	SWITCH, PRESSURE (M3, M4, M5, M6)

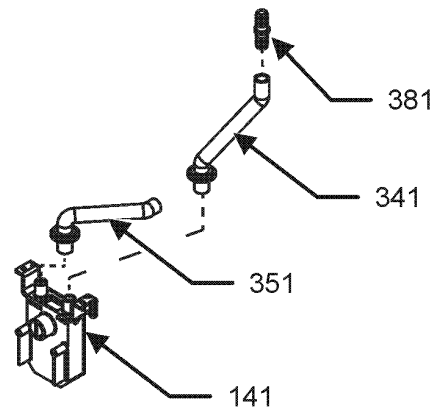
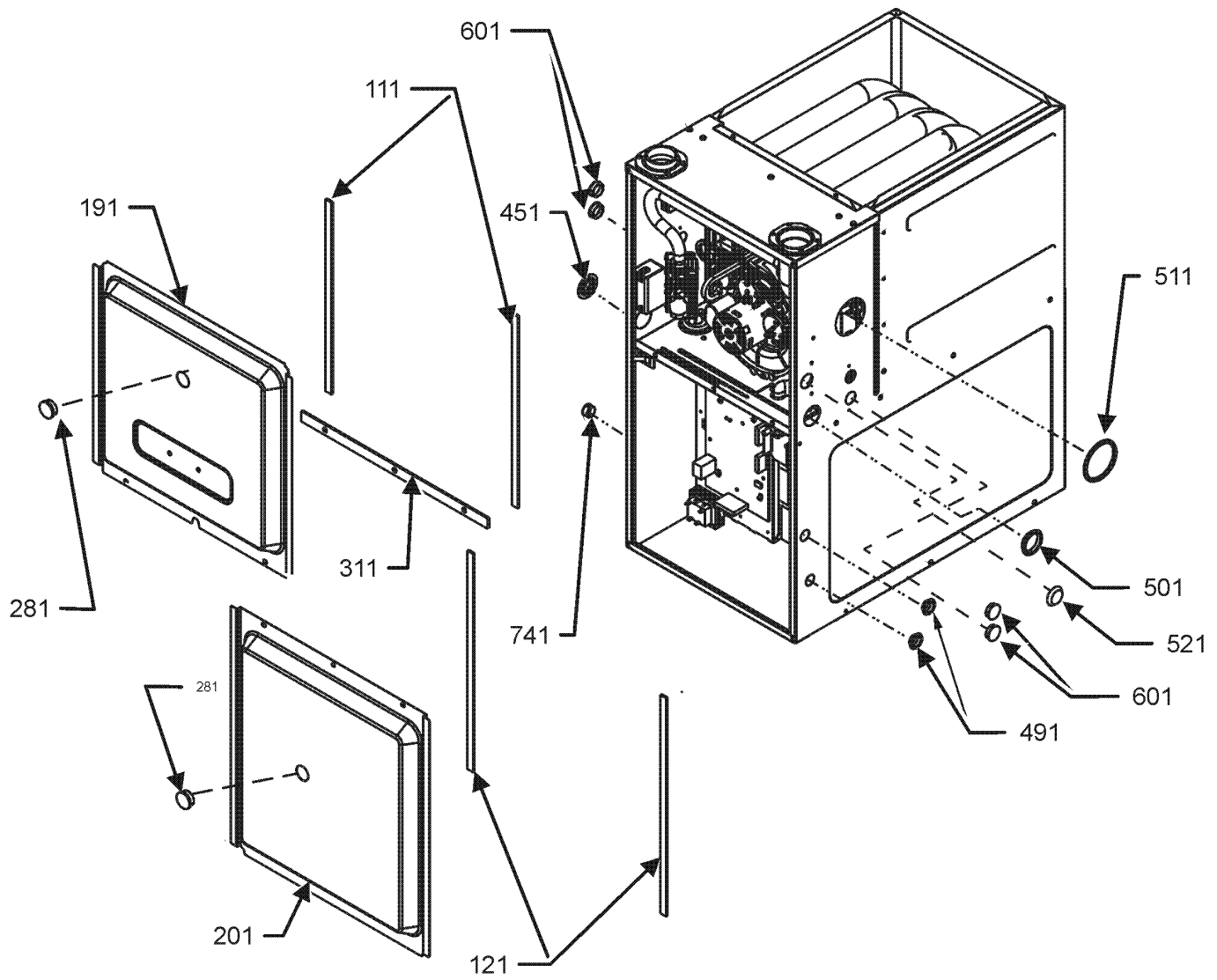
SPECIAL PARTS

0161M00032 NAMEPLATE, AMANA

Expanded Model Nomenclature

M1 - AMES960403ANAA
M2 - AMES960603BNAA
M3 - AMES960803BNAA
M4 - AMES960804CNAA
M5 - AMES960805CNAA
M6 - AMES961005CNAA
M7 - AMES961205DNAA
M8 - AMES961205DNAB

Cabinet Assembly



DRAIN TRAP ASSEMBLY

Cabinet Assembly

Ref. Part No: No:	Description:	Ref. Part No: No:	Description:
-------------------	--------------	-------------------	--------------

Image 1:

111	0154F00024	GASKET (QTY 2)
121	0154F00025	GASKET (QTY 2)
141	0161F00046	DRAIN TRAP
191	0121F00338LG	DOOR ACCESS 21" PNT (M4, M5, M6)
191	0121F00337LG	DOOR, ACCESS 17.5" PNT (M2, M3)
191	0121F00339LG	DOOR, ACCESS 24.5" PNT (M7, M8)
191	0121F00673LG	PNT, DOOR, ACCESS 14" (M1)
201	0121F00340LG	DOOR, BLOWER 17.5" PNT (M2, M3)
201	0121F00341LG	DOOR, BLOWER 21" PNT (M4, M5, M6)
201	0121F00342LG	DOOR, BLOWER 24.5" PNT (M7, M8)
201	0121F00671LG	PNT,DOOR, BLOWER 14" (M1)
281	B1392139	VIEW PORT BUSHING-BLOWER DOOR (QTY 2)
311	0154F00020	GASKET, DECK (M2, M3)
311	0154F00021	GASKET, DECK (M4, M5, M6)
311	0154F00022	GASKET, DECK (M7, M8)
311	0154F00063	GASKET, DECK (M1)
341	0164F00017	HOSE-ELBOW/TRAP
351	0164F00020	DRAIN HOSE (M1)
351	0164F00006	HOSE, COVER/TRAP (M7, M8)
381	0161F00047	COUPLING, HOSE BARBED
451	M0501301	PIPE GROMMET
491	M0570808	BUTTON PLUG (QTY 3)
501	M0570806	BUTTON PLUG
511	M0570807	BUTTON PLUG
521	0161M00027	PLUG, HOLE (M1, M2, M3, M6)
601	B1392021	PLASTIC PLUG, 1" (2713-BLK) (QTY 4)
741	B1392104	UNIVERSAL BUSHING UB 875
NS	M0310345	BUTTON PLUG (QTY 2)
NS	0270F05248	DRAIN KIT ASSY
NS	0163M00319	HEX NUT-INSERT (QTY 3)
NS	0161M00032	NAMEPLATE, AMANA
NS	M0273904	RETAINER-SCREW (QTY 3)
NS	M0209730	SCREW-DECORATIVE (QTY 3)

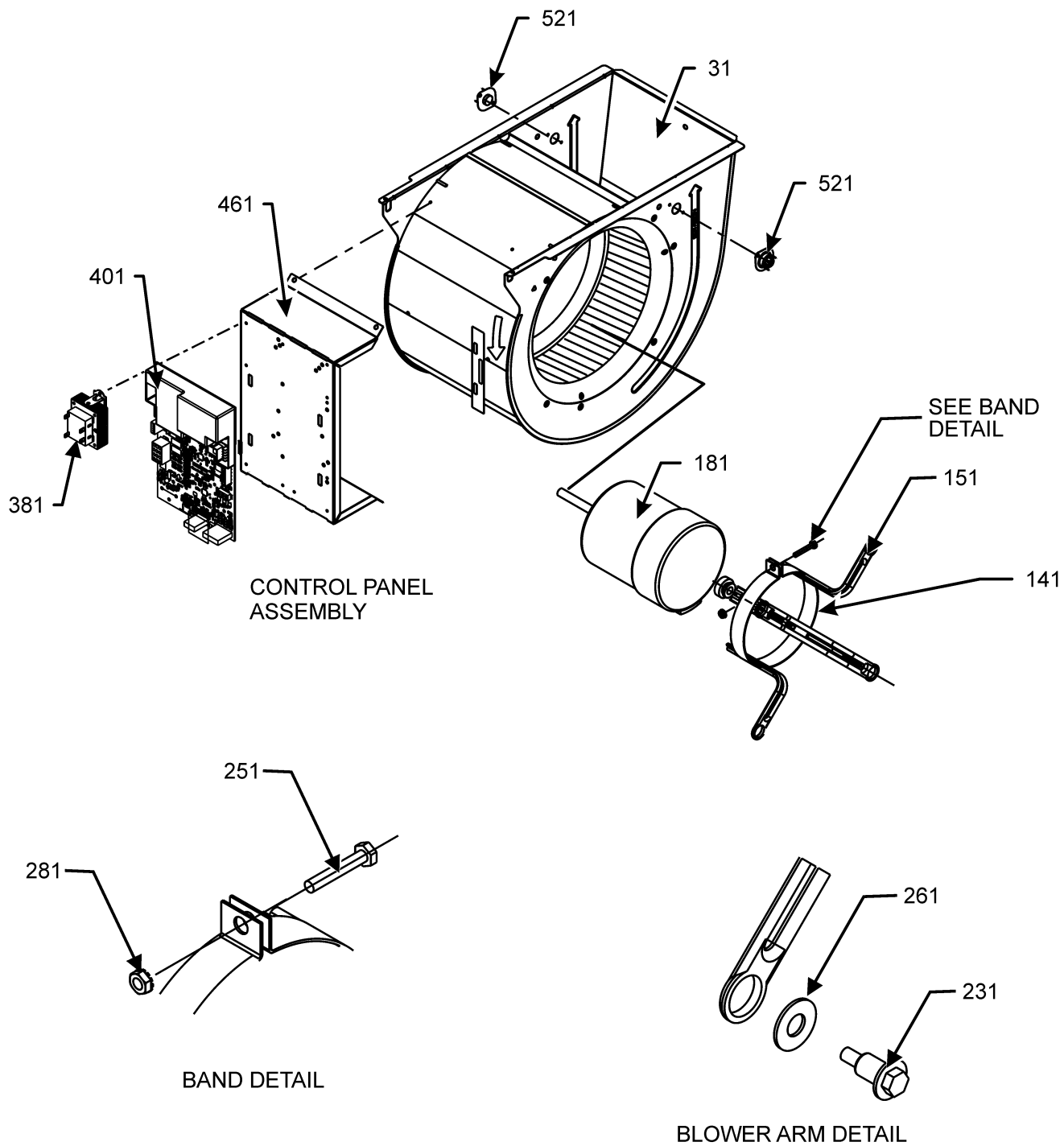
Expanded Model Nomenclature

- | |
|---------------------|
| M1 - AMES960403ANAA |
| M2 - AMES960603BNAA |
| M3 - AMES960803BNAA |
| M4 - AMES960804CNAA |
| M5 - AMES960805CNAA |
| M6 - AMES961005CNAA |
| M7 - AMES961205DNAA |
| M8 - AMES961205DNAB |

Blower Assembly

BLOWER ASSEMBLY

*If end bells are needed please order the following:
0131M00182 - 1/2 HP
0131M00183 - 3/4 HP
0131M00184 - 1 HP



BLOWER AND CONTROL PANEL ASSEMBLY MAY DIFFER FROM WHAT IS SHOWN

Blower Assembly

Ref. Part No: No:	Description:	Ref. Part No: No:	Description:
-------------------	--------------	-------------------	--------------

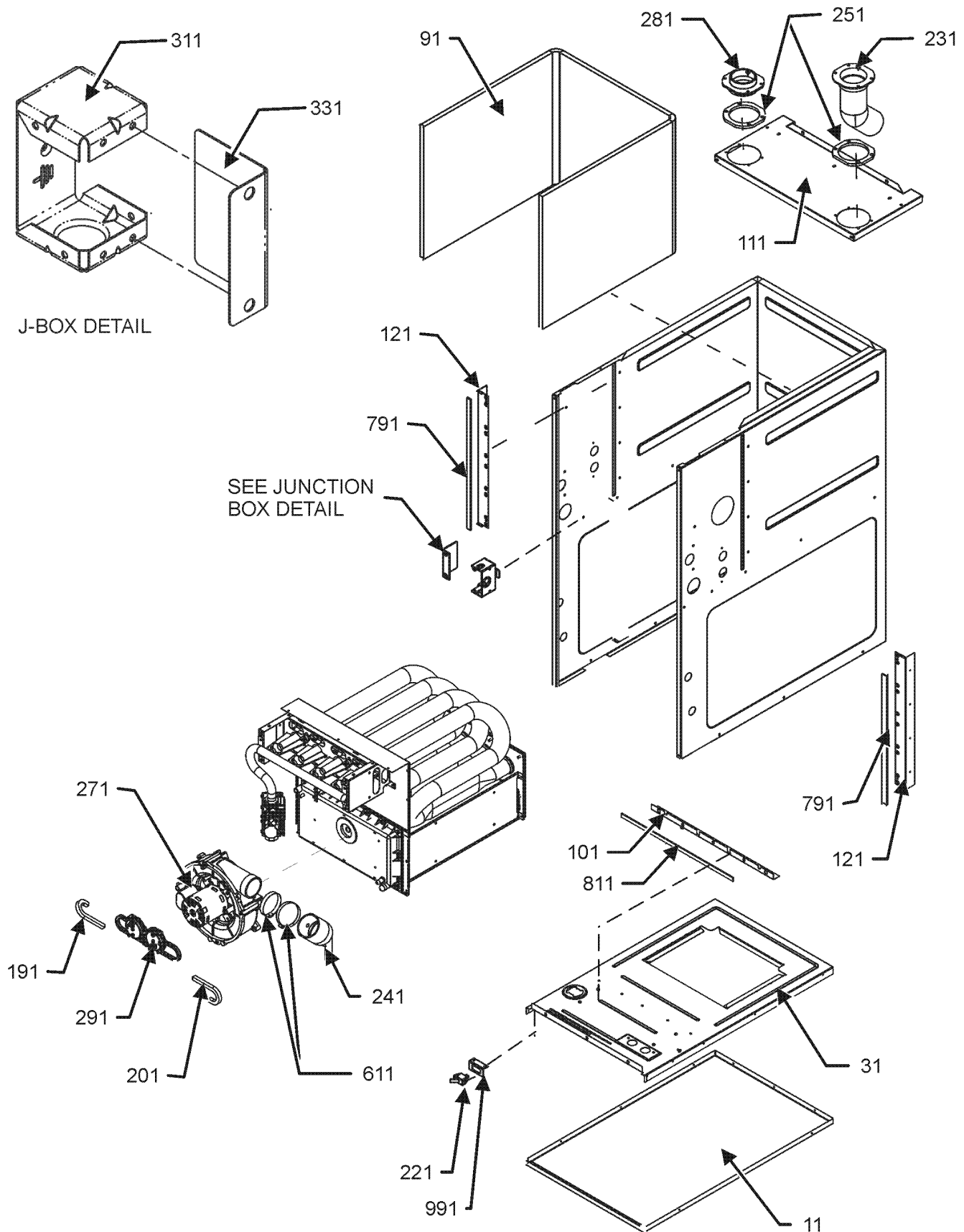
Image 1:

31	0271F00159	BLOWER SHELL & WHEEL ASSY (M2, M3)
31	0271F00161	BLOWER SHELL & WHEEL ASSY (M4, M5, M6)
31	0271F00163	BLOWER SHELL & WHEEL ASSY (M7, M8)
31	0271F00322	BLOWER SHELL & WHEEL ASSY (M1)
141	0121M00039	MOUNT BAND, MOTOR (HEAVY DUTY)
151	B1376863	MOUNT ARM, MOTOR (HEAVY DUTY) (QTY 3)
181	0131F00186	MOTOR PROGRAM (M5)
181	0131F00143	MOTOR, PROGRAM (M1)
181	0131F00144	MOTOR, PROGRAM (M2)
181	0131F00145	MOTOR, PROGRAM (M3)
181	0131F00146	MOTOR, PROGRAM (M4)
181	0131F00148	MOTOR, PROGRAM (M6)
181	0131F00149	MOTOR, PROGRAM (M7)
181	0131F00187	MOTOR, PROGRAM (M8)
231	M0250565	SCREW-TC 1.25" (QTY 3)
251	0163M00320	HEX HEAD ALL THREAD TAP BOLT
261	B1392918	WASHER, FLAT 1/4 ID X 1 OD (QTY 3)
281	B1393800	LOCKNUT, NYLON, INSERT 1/4,20
381	0130M00140	TRANSFORMER 120V TO 24V, 40VA
401	PCBBF145	CIRCUIT BOARD
461	0121F00464	MOUNTING PLATE-CONTROLS
521	0130F00038	PRIMARY LIMIT - LT BLUE 120° (AUX) (QTY 2)
NS	B1392021	PLASTIC PLUG, 1" (2713-BLK) (QTY 4)
NS	0259F00024	WIRE HARNESS-BLOWER

Expanded Model Nomenclature

M1 - AMES960403ANAA
M2 - AMES960603BNAA
M3 - AMES960803BNAA
M4 - AMES960804CNAA
M5 - AMES960805CNAA
M6 - AMES961005CNAA
M7 - AMES961205DNAA
M8 - AMES961205DNAB

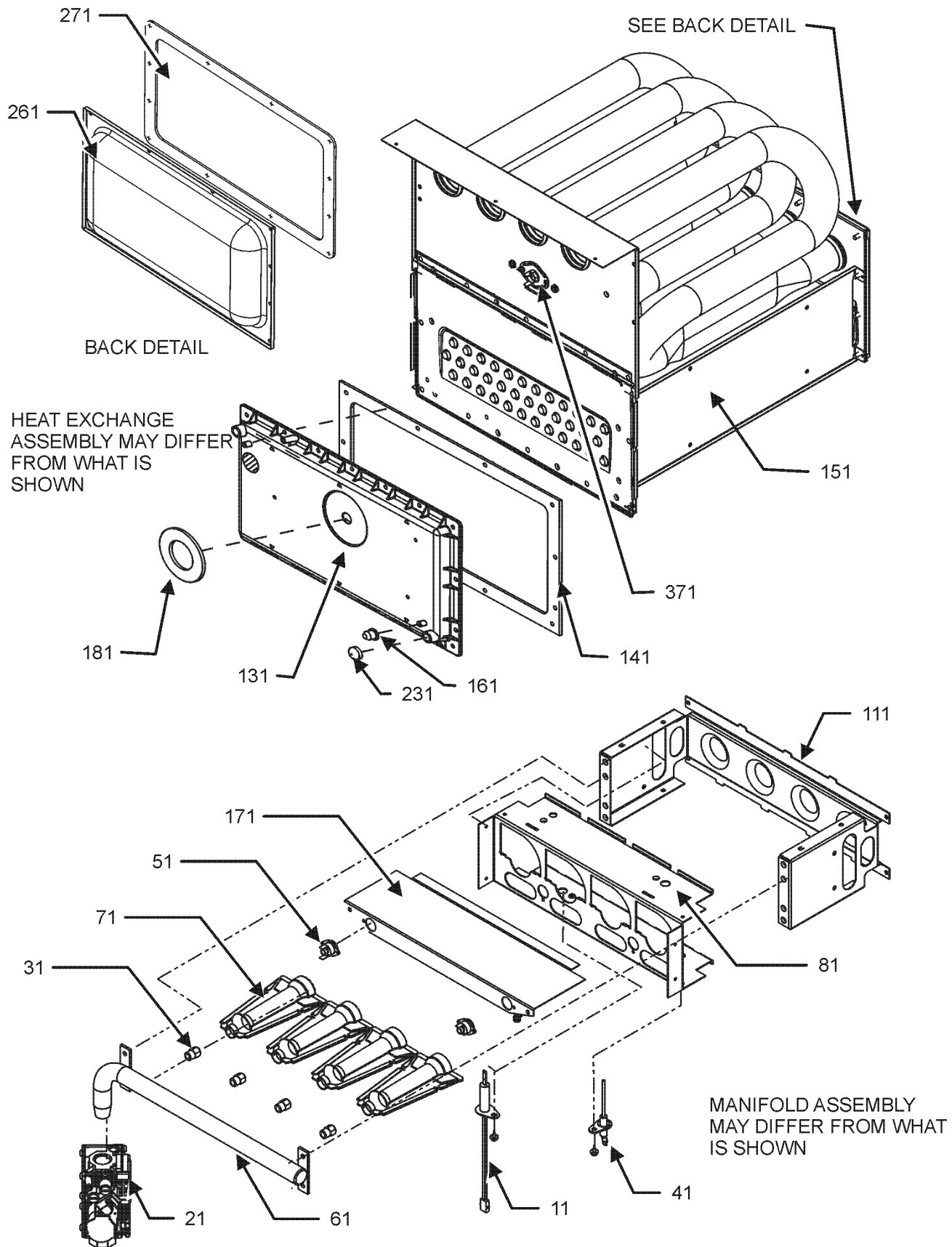
Chassis Assembly



Chassis Assembly

Ref. Part No:	Description:	Ref. Part No:	Description:
Image 1:		Expanded Model Nomenclature	
11	0121F00530DG BASEPAN, 17.5 (M2, M3)	M1	A MES960403ANAA
11	0121F00531DG BASEPAN, 21 PNT (M4, M5, M6)	M2	A MES960603BNAA
11	0121F00532DG BASEPAN, 24.5 PNT (M7, M8)	M3	A MES960803BNAA
11	0121F00664DG BASEPAN, 14 PNT (M1)	M4	A MES960804CNAA
31	0121F00663 DECK, BLOWER 14" (M1)	M5	A MES960805CNAA
31	0121F00533 DECK-BLOWER 17.5" (M2, M3)	M6	A MES961005CNAA
31	0121F00534 DECK-BLOWER 21" (M4, M5, M6)	M7	A MES961205DNAA
31	0121F00535 DECK-BLOWER 24.5" (M7, M8)	M8	A MES961205DNAB
91	0160F00025 INSULATION, HT EXCHANGER (M1)		
91	0160F00015 INSULATION, HT EXCHANGER 17.5" (M2, M3)		
91	0160F00016 INSULATION, HT EXCHANGER 21" (M4, M5, M6)		
91	0160F00017 INSULATION, HT EXCHANGER 24.5" (M7, M8)		
101	0121F00314 ANGLE, DECK (M2, M3)		
101	0121F00315 ANGLE, DECK (M4, M5, M6)		
101	0121F00316 ANGLE, DECK (M7, M8)		
101	0121F00661 ANGLE, DECK (M1)		
111	0121F00279DG PAINTED TOP, FURNACE 17.5 (M2, M3)		
111	0121F00280DG PAINTED TOP, FURNACE 21 (M4, M5, M6)		
111	0121F00281DG PAINTED TOP, FURNACE 24.5 (M7, M8)		
111	0121F00662DG PNT, FURNACE TOP 14" (M1)		
121	0121F00313 ANGLE, SIDE (QTY 2)		
191	0164M00008 HOSE-PRESSURE SW (M2, M3, M4, M5, M6, M7, M8)		
191	0164M00009 PRESSURE SWITCH HOSE (M1)		
201	0164M00015 PRESSURE SWITCH HOSE		
221	0130M00243 INTERLOCK SWITCH		
231	0164F00002 FLUE PIPE W/BEND		
241	0164F00001 ELBOW-FLUE, UPFLOW		
251	0154F00041 FRESH AIR GASKET		
271	0171M00008 MOTOR, ID BLOWER (M1)		
271	0171M00001 MOTOR-ID, BLOWER (M2, M3, M4, M5, M6, M7, M8)		
281	0161F00037 COUPLING		
291	0130F00642 PRESSURE SWITCH (M1)		
291	0130F00438 SWITCH, PRESSURE (M7, M8)		
291	0130F00439 SWITCH, PRESSURE (M3, M4, M5, M6)		
291	0130F00442 SWITCH, PRESSURE (M2)		
311	0161F00042 JUNCTION BOX PLA		
331	0161F00043 JUNCTION BOX LID		
611	0163M00460 CLAMP-HOSE (QTY 2)		
791	0154F00015 GASKET (QTY 2)		
811	0154F00014 GASKET (M2, M3)		
811	0154F00016 GASKET (M4, M5, M6)		
811	0154F00064 GASKET (M1)		
811	20194607 GASKET (M7, M8)		
991	0121F00389 BRACKET, DOOR SWITCH		
NS	0159F00067 HARNESS, WIRING (M4, M5, M6, M7, M8)		
NS	0159F00098 HARNESS, WIRING (M1, M2, M3)		
NS	M0326804 PLUG-TUBE		
NS	0159F00076 WIRING HARNESS		

Heat Exchange Assembly



Heat Exchange Assembly

Ref. Part No: No:	Description:	Ref. Part No: No:	Description:								
Image 1:		Image 1:									
11	0130F00008	271	0154F00037								
	IGNITOR-SINI 17 SEC		GASKET, REAR CVR (M2, M3)								
21	0151M00037	271	0154F00038								
	GAS VALVE		GASKET, REAR CVR (M4, M5, M6)								
31	10716005	271	0154F00039								
	ORIFICE (QTY 2)		GASKET, REAR CVR (M7, M8)								
41	0130F00010	371	20162904								
	FLAME SENSOR		*PRIMARY LIMIT-TEMPERATURE CONTROL (M3, M6, M7, M8)								
51	0130F00123										
	MANUAL RESET LIMIT - ROS (M5)	371	20162903								
51	10123528		PRIMARY LIMIT - BLUE (M1, M2, M4, M5)								
	MANUAL RESET LIMIT - ROS (M7, M8)	NS	0154F00041								
51	10123538		GASKET FRESH AIR								
	MANUAL RESET LIMIT - ROS (M1, M3, M6)	NS	0121F00582								
51	10123539		INSULATION, RETAINER (M1)								
	MANUAL RESET LIMIT - ROS (M2, M4)	NS	0121F00583								
61	0163F00007		INSULATION, RETAINER (M2, M3)								
	MANIFOLD (M1)	NS	0121F00584								
61	0163F00008		INSULATION, RETAINER (M4, M5, M6)								
	MANIFOLD (M2)	NS	0121F00585								
61	0163F00009		INSULATION, RETAINER (M7, M8)								
	MANIFOLD (M4, M5)	NS	0121F00439								
61	0163F00010		PRIMARY LIMIT-HEAT SHIELD								
	MANIFOLD (M6)	NS	0121F00355								
61	0163F00011		SHIELD, COIL (QTY 2)								
	MANIFOLD (M7, M8)	Expanded Model Nomenclature									
61	0163F00014	<table border="1"> <tr> <td>M1 - AMES960403ANAA</td> </tr> <tr> <td>M2 - AMES960603BNAA</td> </tr> <tr> <td>M3 - AMES960803BNAA</td> </tr> <tr> <td>M4 - AMES960804CNAA</td> </tr> <tr> <td>M5 - AMES960805CNAA</td> </tr> <tr> <td>M6 - AMES961005CNAA</td> </tr> <tr> <td>M7 - AMES961205DNAA</td> </tr> <tr> <td>M8 - AMES961205DNAB</td> </tr> </table>		M1 - AMES960403ANAA	M2 - AMES960603BNAA	M3 - AMES960803BNAA	M4 - AMES960804CNAA	M5 - AMES960805CNAA	M6 - AMES961005CNAA	M7 - AMES961205DNAA	M8 - AMES961205DNAB
M1 - AMES960403ANAA											
M2 - AMES960603BNAA											
M3 - AMES960803BNAA											
M4 - AMES960804CNAA											
M5 - AMES960805CNAA											
M6 - AMES961005CNAA											
M7 - AMES961205DNAA											
M8 - AMES961205DNAB											
	MANIFOLD (M3)										
71	0163F00017										
	BECKETT BURNER (QTY 2)										
81	0121F00456										
	BRACKET-BURNER 2 (M1)										
81	0121F00455										
	BRACKET-BURNER 3 (M2)										
81	0121F00454										
	BRACKET-BURNER 4 (M3, M4, M5)										
81	0121F00453										
	BRACKET-BURNER 5 (M6)										
81	0121F00451										
	BRACKET-BURNER 6 (M7, M8)										
111	0121F00469										
	ORIFICE BRACKET-BURNER 2 (M1)										
111	0121F00468										
	ORIFICE BRACKET-BURNER 3 (M2)										
111	0121F00467										
	ORIFICE BRACKET-BURNER 4 (M3, M4, M5)										
111	0121F00466										
	ORIFICE BRACKET-BURNER 5 (M6)										
111	0121F00465										
	ORIFICE BRACKET-BURNER 6 (M7, M8)										
131	0161F00024										
	COVER, FRONT (M3)										
131	0161F00026										
	COVER, FRONT (M6)										
131	0161F00030										
	COVER, FRONT (M4, M5)										
131	0161F00054										
	COVER, FRONT (M2)										
131	0161F00062										
	COVER, FRONT (M8)										
131	0161F00080										
	COVER, FRONT (M1)										
131	0161F00066										
	COVER,FRONT (M7)										
141	0154F00026										
	GASKET FRONT COVER (M2, M3)										
141	0154F00030										
	GASKET FRONT COVER (M4, M5, M6)										
141	0154F00034										
	GASKET FRONT COVER (M7, M8)										
141	0154F00062										
	GASKET FRONT COVER (M1)										
151	0257F00375										
	HEAT EXCHANGER ASSY (M2)										
151	0257F00418										
	HEAT EXCHANGER ASSY (M1)										
151	0257F00461										
	HEAT EXCHANGER ASSY (M8)										
151	0257F00290										
	HEAT EXCHANGER ASSY. (M4, M5)										
151	0257F00291										
	HEAT EXCHANGER ASSY. (M6)										
151	0257F00309										
	HEAT EXCHANGER ASSY. (M7)										
151	0257F00354										
	HEAT EXCHANGER ASSY. (M3)										
161	M0326804										
	TUBE PLUG										
171	0121F00540										
	SHEILD, BURNER (M2)										
171	0121F00541										
	SHEILD, BURNER (M3, M4, M5)										
171	0121F00542										
	SHEILD, BURNER (M6)										
171	0121F00543										
	SHEILD, BURNER (M7, M8)										
171	0121F00755										
	SHIELD, BURNER (M1)										
181	0154F00043										
	GASKET ID BLOWER										
231	A1781105										
	CAP-VINYL .500										
261	0121F00317										
	COVER, REAR (M2, M3)										
261	0121F00318										
	COVER, REAR (M4, M5, M6)										
261	0121F00319										
	COVER, REAR (M7, M8)										
261	0121F00670										
	COVER, REAR (M1)										
271	0154F00058										
	GASKET REAR CVR (M1)										