

AMEH 80% Two-Stage Multi-Speed ECM Gas Furnace

AMEH800603BNAA
AMEH800603BNAB
AMEH800603BXAA
AMEH800603BXAB
AMEH800805CNAA
AMEH800805CNAB
AMEH800805CXAA
AMEH800805CXAB
AMEH800805DNAA
AMEH800805DNAB
AMEH800805DXAA
AMEH800805DXAB
AMEH801005CNAA
AMEH801005CNAB
AMEH801005CXAA
AMEH801005CXAB



Amana® is a registered trademark of Maytag Corporation or its related companies and is used under license. All rights reserved.

This manual is to be used by qualified technicians only.

This manual replaces RP-843A.

© 2013 , 2018 Goodman Manufacturing Company, L.P. ♦ 5151 San Felipe St, Suite 500 ♦ Houston, TX 77056

Important Information

Index

Functional Parts List	3
Illustration and Parts	4 - 9

Views shown are for parts illustrations only, not servicing procedures.

Text Codes:

AR - As Required

NA - Not Available

NS - Not Shown

00000000 - See Note

QTY - Quantity Example (QTY 3) (If Quantity not shown, Quantity = 1)

M - Model Example (M1) (If M Code not shown, then part is used on all Models)

Expanded Model Nomenclature:

Example M1 - Model#1 M2 - Model#2 M3 - Model#3

Goodman Manufacturing Company, L.P. is not responsible for personal injury or property damage resulting from improper service. Review all service information before beginning repairs.

Warranty service must be performed by an authorized technician, using authorized factory parts. If service is required after the warranty expires, Goodman Manufacturing Company, L.P. also recommends contacting an authorized technician and using authorized factory parts.

Goodman Manufacturing Company, L.P. reserves the right to discontinue, or change at any time, specifications or designs without notice or without incurring obligations.

For assistance within the U.S.A. contact:

Homeowner Support

Goodman Manufacturing Company, L.P.

19001 Kermier Road

Waller, Texas 77484

877-254-4729-Telephone

713-863-2382-Facsimile

For assistance outside the U.S.A. contact:

International Division

Goodman Manufacturing Company, L.P.

19001 Kermier Road

Waller, Texas 77484

713-861-2500-Telephone

713-863-2382-Facsimile

Functional Parts

Part

No: Description:

20162904	*PRIMARY LIMIT-TEMPERATURE CONTROL (M1, M2, M3, M4, M13, M14, M15, M16) *Refer to service bulletin SF-054
0130F00042	AIR PRESSURE SWITCH (M9, M10, M11, M12)
B1370158	AIR PRESSURE SWITCH, LIME (M13, M14, M15, M16)
B1370179	AIR PRESSURE SWITCH, PINK (M1, M2, M3, M4, M5, M6, M7, M8)
0130F00010	FLAME SENSOR
0151M00027	GAS VALVE (M2, M4, M6, M8, M10, M12, M14, M16)
10123529	MANUAL RESET R.O.S. LIMIT (QTY 2)
0131M00178	MOTOR (M13, M14, M15, M16)
0131M00177	MOTOR (M5, M6, M7, M8)
0131M00176	MOTOR (M1, M2, M3, M4)
0131M00482	MOTOR, 115V. 1HP PROG (M9, M10, M11, M12)
PCBBF132	PCB 2STAGE HYBRID FURNACE CNTL
20162903	PRIMARY LIMIT - BLUE (M5, M6, M7, M8, M9, M10, M11, M12)
0130F00038	PRIMARY LIMIT - LT BLUE 120°
0130F00008	SINI IGNITOR
10690402	SWITCH-INTERLOCK
0130M00140	TRANSFORMER 120V TO 24V, 40 VA
0151M00028	VALVE,GAS(HW)VR92 (M1, M3, M5, M7, M9, M11, M13, M15)
0131M00002P	VENT MOTOR
DY6.186.070	VENT MOTOR CAPACITOR

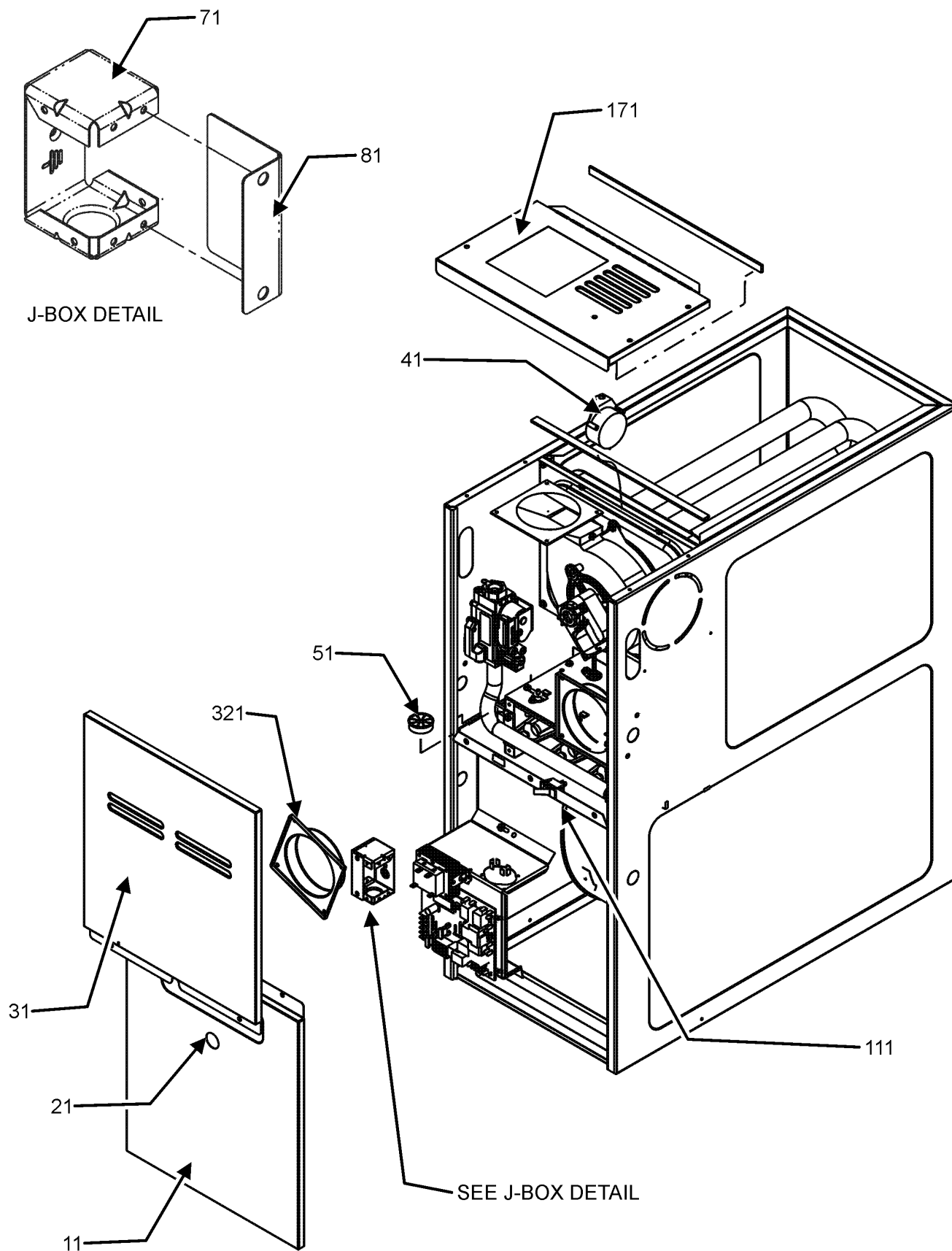
SPECIAL PARTS

0161F00006 NAMEPLATE, AMANA

Expanded Model Nomenclature

M1 - AMEH800603BNAA
M2 - AMEH800603BNAB
M3 - AMEH800603BXAA
M4 - AMEH800603BXAB
M5 - AMEH800805CNAA
M6 - AMEH800805CNAB
M7 - AMEH800805CXAA
M8 - AMEH800805CXAB
M9 - AMEH800805DNAA
M10 - AMEH800805DNAB
M11 - AMEH800805DXAA
M12 - AMEH800805DXAB
M13 - AMEH801005CNAA
M14 - AMEH801005CNAB
M15 - AMEH801005CXAA
M16 - AMEH801005CXAB

CABINET ASSEMBLY



CABINET ASSEMBLY

Ref. Part No:	Ref. Part No:	Description:	Description:
Image 1:			
11	0121F00123LG	DOOR, BLOWER, 17.5" PAINTED (M1, M2, M3, M4)	
11	0121F00124LG	DOOR, BLOWER, 21"-PAINTED (M5, M6, M7, M8, M13, M14, M15, M16)	
11	0121F00125LG	DOOR, BLOWER, 24.5"-PAINTED (M9, M10, M11, M12)	
21	B1392139	VIEW PORT BUSHING-BLOWER DOOR	
31	0121F00120LG	DOOR CTRL ACCESS, 21"-PAINTED (M5, M6, M7, M8, M13, M14, M15, M16)	
31	0121F00121LG	DOOR CTRL ACCESS, 24.5"PAINTED (M9, M10, M11, M12)	
31	0121F00119LG	DOOR CTRL ACCESS,17.5"-PAINTED (M1, M2, M3, M4)	
41	0130F00042	AIR PRESSURE SWITCH (M9, M10, M11, M12)	
41	B1370158	AIR PRESSURE SWITCH, LIME (M13, M14, M15, M16)	
41	B1370179	AIR PRESSURE SWITCH, PINK (M1, M2, M3, M4, M5, M6, M7, M8)	
51	B1392147	UNIVERSAL BUSHING WITH SLICE	
71	4014502	J-BOX	
81	4015502	J-BOX COVER	
111	10690402	SWITCH-INTERLOCK	
171	0121F00142DG	TOP, FURNACE 17.5"-PAINTED (M1, M2, M3, M4)	
171	0121F00143DG	TOP, FURNACE 21"-PAINTED (M5, M6, M7, M8, M13, M14, M15, M16)	
171	0121F00463DG	TOP, FURNACE 24.5" PAINTED (M9, M10, M11, M12)	
NS	0161F00006	NAMEPLATE, AMANA	
NS	B13926112	SEAL STRIP, 1/8 X 1/2 X 17.5 (M1, M2, M3, M4)	
NS	B13926113	SEAL STRIP, 1/8 X 1/2 X 21 (M5, M6, M7, M8, M13, M14, M15, M16)	
NS	B13926114	SEAL STRIP, 1/8 X 1/2 X 24.5 (M9, M10, M11, M12)	

Expanded Model Nomenclature

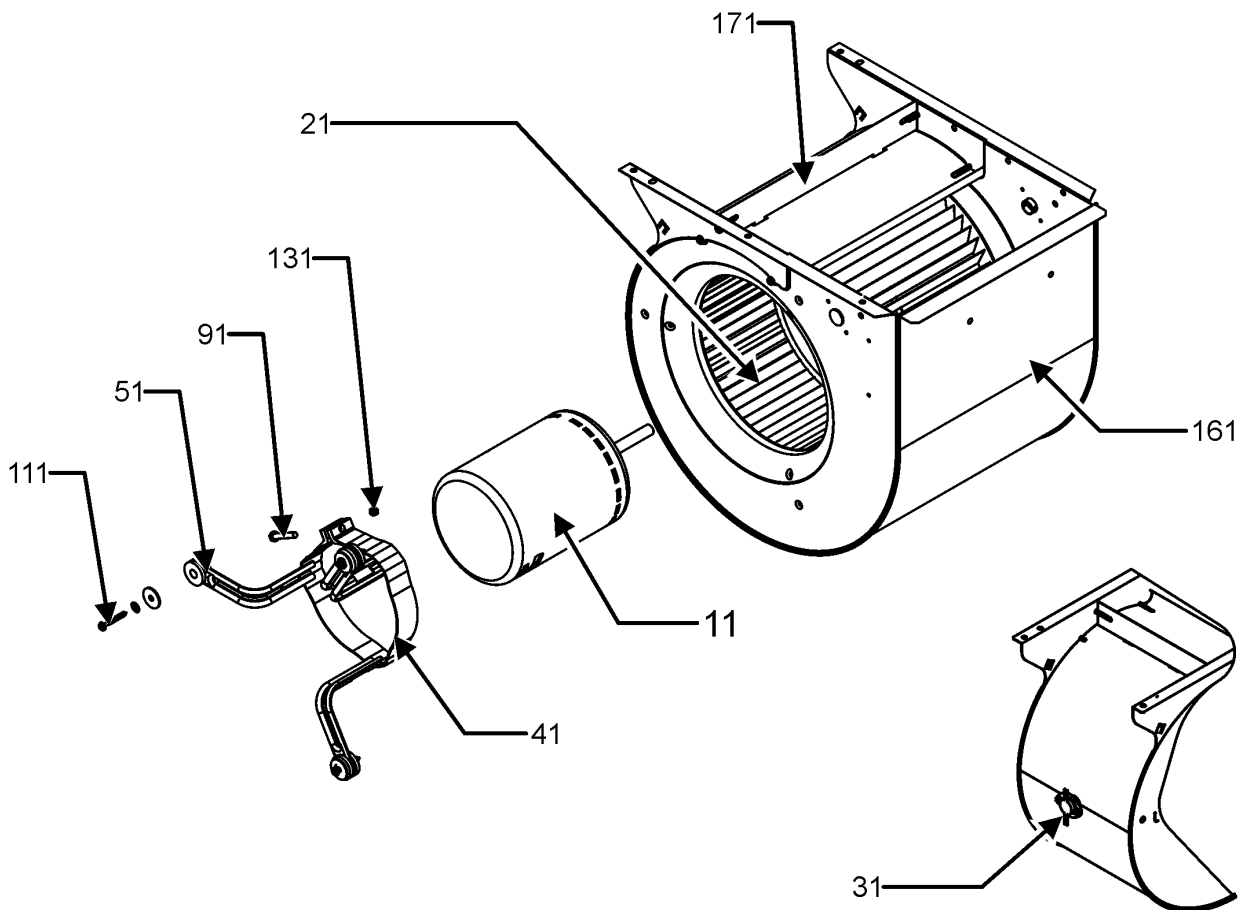
M1 - AMEH800603BNAA
M2 - AMEH800603BNAB
M3 - AMEH800603BXAA
M4 - AMEH800603BXAB
M5 - AMEH800805CNAA
M6 - AMEH800805CNAB
M7 - AMEH800805CXAA
M8 - AMEH800805CXAB
M9 - AMEH800805DNAA
M10 - AMEH800805DNAB
M11 - AMEH800805DXAA
M12 - AMEH800805DXAB
M13 - AMEH801005CNAA
M14 - AMEH801005CNAB
M15 - AMEH801005CXAA
M16 - AMEH801005CXAB

HEAT EXCHANGE ASSEMBLY

Ref. Part No:	Ref. Part No:	Description:	Description:
Image 1:		Expanded Model Nomenclature	
11	0270F00933	HEAT EXCHANGER ASSY (M1, M2, M3, M4)	M1 - AMEH800603BNAA
11	0270F00935	HEAT EXCHANGER ASSY (M5, M6, M7, M8)	M2 - AMEH800603BNAB
11	0270F00936	HEAT EXCHANGER ASSY (M13, M14, M15, M16)	M3 - AMEH800603BXAA
11	0270F03017	HEAT EXCHANGER ASSY (M9, M10, M11, M12)	M4 - AMEH800603BXAB
21	0121F00333	21" COLLECTOR BOX 1.75" DIA (M5, M6, M7, M8, M14, M16)	M5 - AMEH800805CNA A
21	0121F00462	21" FLUE COLLECTOR BOX (M9, M10, M11, M12)	M6 - AMEH800805CNAB
21	0121F00217	COLLECTOR BOX (M13, M15)	M7 - AMEH800805CXAA
21	0121F00128	COLLECTOR BOX 17.5" 1.75 DIA (M1, M2, M3, M4)	M8 - AMEH800805CXAB
31	0128F00006	CHIMNEY TRANSITION BOTTOM	M9 - AMEH800805DNAA
41	0131M00002P	VENT MOTOR	M10 - AMEH800805DNAB
51	0151M00027	GAS VALVE (M2, M4, M6, M8, M10, M12, M14, M16)	M11 - AMEH800805DXAA
51	0151M00028	VALVE,GAS(HW)VR92 (M1, M3, M5, M7, M9, M11, M13, M15)	M12 - AMEH800805DXAB
61	0120F00007	MANIFOLD (M1, M2, M3, M4)	M13 - AMEH801005CNA A
61	0120F00008	MANIFOLD (M5, M6, M7, M8, M9, M10, M11, M12)	M14 - AMEH801005CNAB
61	0120F00009	MANIFOLD (M13, M14, M15, M16)	M15 - AMEH801005CXAA
71	10716005	ORIFICE, #45 DRILL (QTY 3)	M16 - AMEH801005CXAB
81	B4022700	INSHOT BURNER ASSY 3" (QTY 3)	
91	0121F00168	BURNER RACK, 3 CELL (M1, M2, M3, M4)	
91	0121F00169	BURNER RACK, 4 CELL (M5, M6, M7, M8, M9, M10, M11, M12)	
91	0121F00170	BURNER RACK, 5 CELL (M13, M14, M15, M16)	
101	0121F00163	TOP, BURNER BOX 3 CELL (M1, M2, M3, M4)	
101	0121F00164	TOP, BURNER BOX 4 CELL (M5, M6, M7, M8, M9, M10, M11, M12)	
101	0121F00165	TOP, BURNER BOX 5 CELL (M13, M14, M15, M16)	
111	10123529	MANUAL RESET R.O.S. LIMIT (QTY 2)	
121	0121F00146	BURNER BOX SIDE (QTY 2)	
131	0130F00008	SINI IGNITOR	
141	0130F00010	FLAME SENSOR	
151	20162904	*PRIMARY LIMIT-TEMPERATURE CONTROL (M1, M2, M3, M4, M13, M14, M15, M16) *Refer to service bulletin SF-054	
151	20162903	PRIMARY LIMIT - BLUE (M5, M6, M7, M8, M9, M10, M11, M12)	
161	4028001	ORIFICE PLATE, 3CELL (M1, M2, M3, M4)	
161	4028002	ORIFICE PLATE, 4CELL (M5, M6, M7, M8, M9, M10, M11, M12)	
161	4028003	ORIFICE PLATE, 5CELL (M13, M14, M15, M16)	
171	0154F00004	GASKET-17.5 INCH (M1, M2, M3, M4)	
171	0154F00005	GASKET-21 INCH (M5, M6, M7, M8, M9, M10, M11, M12, M13, M14, M15, M16)	
201	DY6.186.070	VENT MOTOR CAPACITOR	
NS	0259M00005	ADAPTER HARNESS	
NS	0259F00050	KIT, WIRE HYBRID FURN	
NS	0259F00073	WIRE HARNESS ASSY (M5, M7, M9, M11, M13, M15)	
NS	0259F00085	WIRE HARNESS ASSY (M1, M3)	
NS	0259F00274	WIRE HARNESS ASSY (M2, M4)	
NS	0259F00275	WIRE HARNESS ASSY (M6, M8, M10, M12, M14, M16)	
NS	0159F00060	WIRE HARNESS ASSY. , IGNITOR	

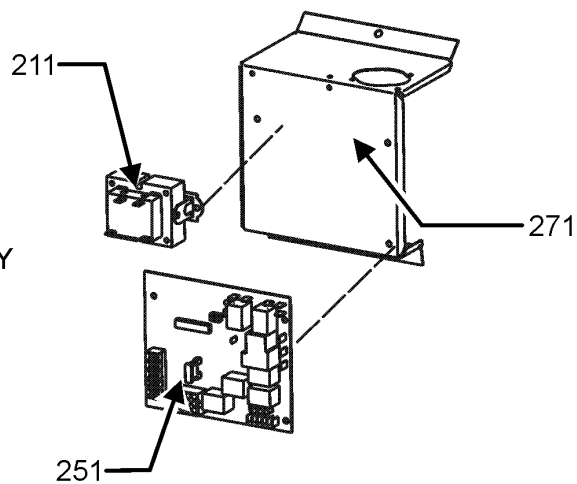
BLOWER AND CONTROL PANEL ASSEMBLY

BLOWER ASSEMBLY



BLOWER HOUSING ASSEMBLY
BACK VIEW

CONTROL PANEL ASSEMBLY



BLOWER AND CONTROL PANEL ASSEMBLY

Ref. Part No:	Part No:	Description:	Ref. Part No:	Part No:	Description:
<i>Image 1:</i>					
11	0131M00176	MOTOR (M1, M2, M3, M4)			
11	0131M00177	MOTOR (M5, M6, M7, M8)			
11	0131M00178	MOTOR (M13, M14, M15, M16)			
11	0131M00482	MOTOR, 115V. 1HP PROG (M9, M10, M11, M12)			
21	B1368047	BLOWER WHEEL (10 X 10) (M5, M6, M7, M8, M9, M10, M11, M12, M13, M14, M15, M16)			
21	B1368016	WHEEL, BLOWER, 10X8 (M1, M2, M3, M4)			
31	0130F00038	PRIMARY LIMIT - LT BLUE 120°			
41	0121M00038	MOTOR MOUNT BAND			
51	B1376853	MOTOR MOUNT ARM (QTY 3)			
91	0163M00320	HEX HEAD ALL THREAD TAP BOLT			
111	M0250565	TC SCREW 1.25" (QTY 3)			
131	B1393800	LOCKNUT, NYLON, INSERT 1/4, 20			
161	2539307	BLWR SHL ASM 10X10 10X10 (M5, M6, M7, M8, M9, M10, M11, M12, M13, M14, M15, M16)			
161	2539306	BLWR SHL ASM 10X8 10X8 (M1, M2, M3, M4)			
171	764741	BLWR BLK-OFF,10X10 (M5, M6, M7, M8, M9, M10, M11, M12, M13, M14, M15, M16)			
171	764740	BLWR BLK-OFF,10X8 (M1, M2, M3, M4)			
211	0130M00140	TRANSFORMER 120V TO 24V, 40 VA			
251	PCBBF132	PCB 2STAGE HYBRID FURNACE CNTL			
271	1815817	CONTROL MOUNT PANEL			
NS	0130M00072	ECOTECH LOW VOLTAGE WIRE HARNE			
NS	0130M00073	ECOTECH POWER HARNESS			

Expanded Model Nomenclature

M1 - AMEH800603BNAA
M2 - AMEH800603BNAB
M3 - AMEH800603BXAA
M4 - AMEH800603BXAB
M5 - AMEH800805CNAA
M6 - AMEH800805CNAB
M7 - AMEH800805CXAA
M8 - AMEH800805CXAB
M9 - AMEH800805DNAA
M10 - AMEH800805DNAB
M11 - AMEH800805DXAA
M12 - AMEH800805DXAB
M13 - AMEH801005CNAA
M14 - AMEH801005CNAB
M15 - AMEH801005CXAA
M16 - AMEH801005CXAB