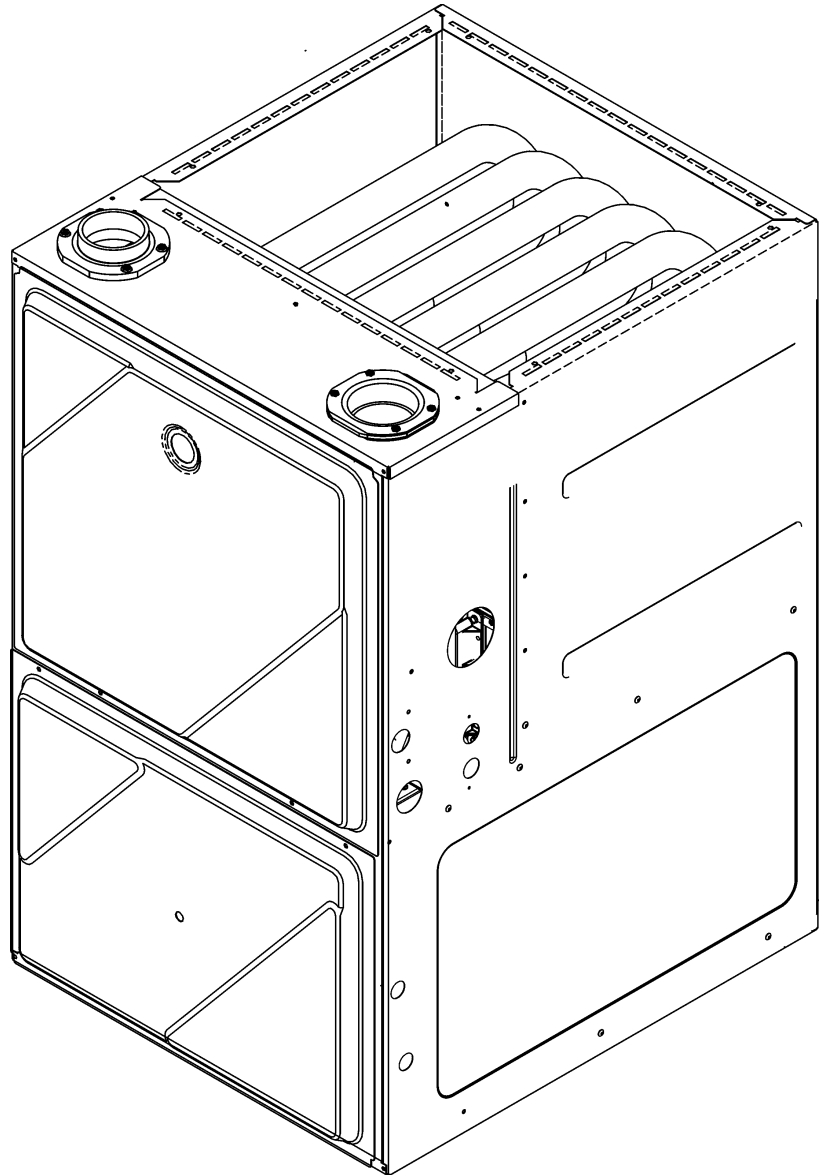


## AMEC 96% ECM Up Flow Furnace

AMEC960302BNAB  
AMEC960402BNAA  
AMEC960402BNAB  
AMEC960603BNAA  
AMEC960603BNAB  
AMEC960803BNAA  
AMEC960803BNAB  
AMEC961004CNAA  
AMEC961004CNAB  
AMEC961205DNAA  
AMEC961205DNAB



Amana® is a registered trademark of Maytag Corporation or its related companies and is used under license to Goodman Company, L.P., Houston, TX, USA. All rights reserved.

This manual is to be used by qualified technicians only.

This manual replaces RP-A2007C.

© 2014-2015 Goodman Company, L.P. ♦ 5151 San Felipe St., Suite 500 ♦ Houston, TX 77056

# Important Information

---

## Index

Functional Parts List .....	3
Illustration and Parts .....	4 - 11

*Views shown are for parts illustrations only, not servicing procedures*

### Text Codes:

AR - As Required

NA - Not Available

NS - Not Shown

00000000 - See Note

QTY - Quantity Example (QTY 3) (If Quantity not shown, Quantity = 1)

M - Model Example (M1) (If M Code not shown, then part is used on all Models)

### Expanded Model Nomenclature:

Example M1 - Model#1 M2 - Model#2 M3 - Model#3
---

Goodman Company, L.P. is not responsible for personal injury or property damage resulting from improper service. Review all service information before beginning repairs.

Warranty service must be performed by an authorized technician, using authorized factory parts. If service is required after the warranty expires, Goodman Company, L.P. also recommends contacting an authorized technician and using authorized factory parts.

Goodman Company, L.P. reserves the right to discontinue, or change at any time, specifications or designs without notice or without incurring obligations.

For assistance within the U.S.A. contact:

Consumer Affairs Department  
Goodman Company, L.P.  
7401 Security Way  
Houston, Texas 77040  
877-254-4729-Telephone  
713-863-2382-Facsimile

For assistance outside the U.S.A. contact:

International Division  
Goodman Company, L.P.  
7401 Security Way  
Houston, Texas 77040  
713-861-2500-Telephone  
713-863-2382-Facsimile

# Functional Parts

**Part No:**            **Description:**

20162904	*PRIMARY LIMIT-TEMPERATURE CONTROL (M1, M2, M3, M4, M5, M6, M7) *Refer to SF-054
0130F00038	AUX LIMIT - LT BLUE 120° (QTY 2)
0163F00017	BECKETT BURNER (QTY 2)
764740	BLOWER BLOCK-OFF 10 X 8 (M1, M2, M3)
0271F00181	BLOWER HSG ASSY (M1, M2, M3)
0271F00159	BLOWER SHELL & WHEEL ASSY (M4, M5, M6, M7)
0271F00163	BLOWER SHELL & WHEEL ASSY (M10, M11)
0271F00161	BLOWER SHELL & WHEEL ASSY (M8, M9)
0130F00010	FLAME SENSOR
0151M00027	GAS VALVE
0257F00394	HEAT EXCHANGER ASSY (M8, M9)
0257F00388	HEAT EXCHANGER ASSY (M1)
0257F00391	HEAT EXCHANGER ASSY (M10, M11)
0257F00375	HEAT EXCHANGER ASSY. (M4, M5)
0257F00354	HEAT EXCHANGER ASSY. (M6, M7)
0257F00385	HEAT EXCHANGER ASSY. (M2, M3)
0130M00243	INTERLOCK SWITCH
10123527	MANUAL RESET R.O.S. LIMIT (M10, M11)
10123533	MANUAL RESET R.O.S. LIMIT (M1)
10123534	MANUAL RESET R.O.S. LIMIT (M8, M9)
10123539	MANUAL RESET R.O.S. LIMIT (M2, M3, M4, M5)
0130F00123	MANUAL RESET R.O.S. LIMIT (M6, M7)
0131F00036	MOTOR, BLOWER (M8, M9)
0131F00034	MOTOR, BLOWER (M4, M5)
0131F00037	MOTOR, BLOWER (M10, M11)
0131F00032	MOTOR, BLOWER (M1)
0131F00035	MOTOR, BLOWER (M6, M7)
0131F00033	MOTOR, BLOWER (M2, M3)
PCBBF137	PCB IGNITION HSI INTEG (M1, M3, M5, M7, M9, M11)
PCBBF133	PCB, IGNITION, HSI, INTEG. (M2, M4, M6, M8, M10)
0130F00481	PRESSURE SWITCH (-.1 (COL BOX)) (M4, M5, M6, M7, M8, M9, M10, M11)
0130F00486	PRESSURE SWITCH (-.1 (COL BOX)) (M1, M2, M3)
0130F00472	PRESSURE SWITCH (-.67 / -1.15) (M1, M8, M9)
0130F00471	PRESSURE SWITCH (-.72 / -.97) (M2, M3)
0130F00474	PRESSURE SWITCH (-.72 / -1.47) (M6, M7)
0130F00446	PRESSURE SWITCH (-.76 / -1.25) (M10, M11)
0130F00473	PRESSURE SWITCH (-.92 / -1.47) (M4, M5)
0130F00036	PRIMARY LIMIT - PINK (M10, M11)
20162906	PRIMARY LIMIT - WHITE (M8, M9)
0130F00008	SINI IGNITOR
0130M00140	TRANSFORMER 120V TO 24V, 40VA
0150M00043	WHEEL, BLOWER (10 X 8) (M1, M2, M3)

## Expanded Model Nomenclature

M1 - AMEC960302BNAB
M2 - AMEC960402BNAA
M3 - AMEC960402BNAB
M4 - AMEC960603BNAA
M5 - AMEC960603BNAB
M6 - AMEC960803BNAA
M7 - AMEC960803BNAB
M8 - AMEC961004CNAA
M9 - AMEC961004CNAB
M10 - AMEC961205DNAA
M11 - AMEC961205DNAB

## SPECIAL PARTS

0161M00003P	AMANA NAMEPLATE
-------------	-----------------

# Cabinet

Image 1

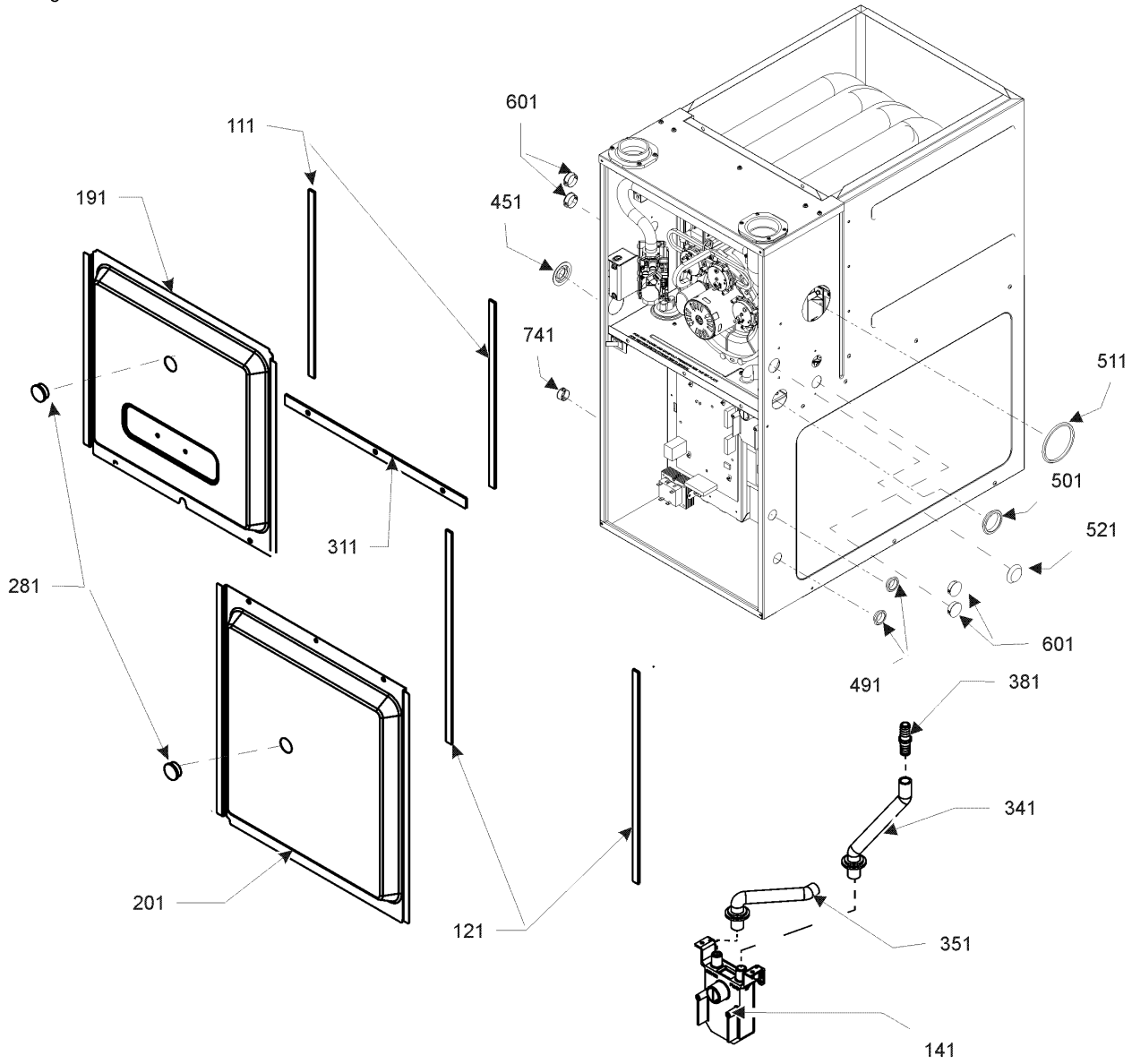
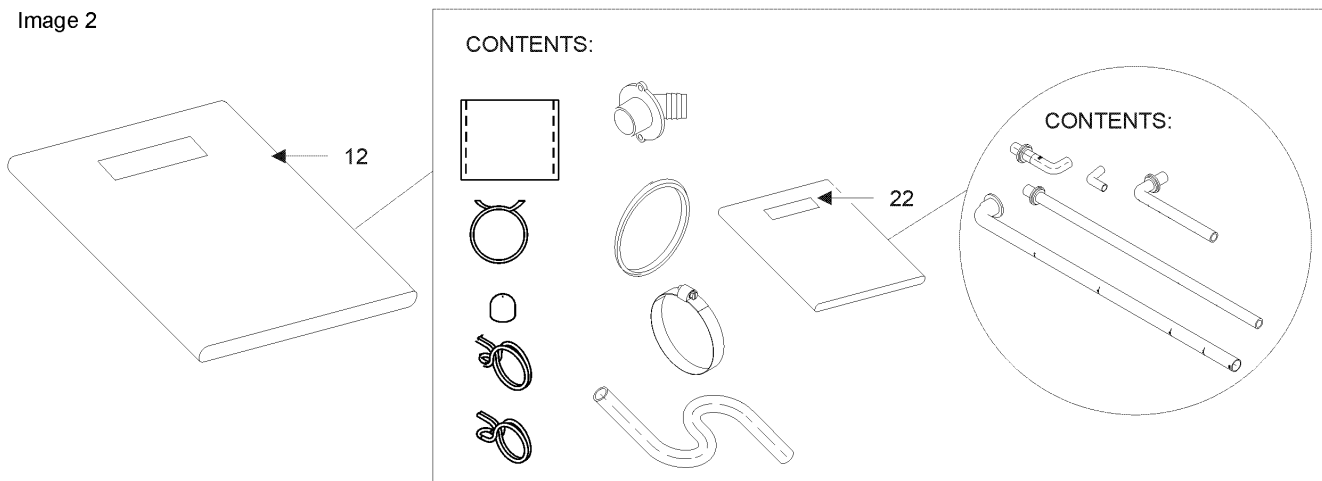


Image 2



# Cabinet

Ref. Part No:	No:	Description:	Ref. Part No:	No:	Description:
<b>Image 1:</b>					
111	0154F00024	GASKET (QTY 2)			
121	0154F00025	GASKET (QTY 2)			
141	0161F00046	DRAIN TRAP			
191	0121F00338LG	DOOR ACCESS 21" PNT (M8, M9)			
191	0121F00337LG	DOOR, ACCESS 17.5" PNT (M1, M2, M3, M4, M5, M6, M7)			
191	0121F00339LG	DOOR, ACCESS 24.5" PNT (M10, M11)			
201	0121F00340LG	DOOR, BLOWER 17.5" PNT (M1, M2, M3, M4, M5, M6, M7)			
201	0121F00341LG	DOOR, BLOWER 21" PNT (M8, M9)			
201	0121F00342LG	DOOR, BLOWER 24.5" PNT (M10, M11)			
281	B1392139	VIEW PORT BUSHING-BLOWER DOOR (QTY 2)			
311	0154F00020	DECK GASKET (M1, M2, M3, M4, M5, M6, M7)			
311	0154F00021	DECK GASKET (M8, M9)			
311	0154F00022	DECK GASKET (M10, M11)			
341	0164F00017	ELBOW/TRAP HOSE			
351	0164F00006	COVER/TRAP HOSE			
381	0161F00047	BARDED HOSE COUPLING			
451	M0501301	PIPE GROMMET			
491	M0570808	BUTTON PLUG (QTY 3)			
501	M0570806	BUTTON PLUG			
511	M0570807	BUTTON PLUG			
521	0161M00027	HOLE PLUG			
601	B1392021	PLASTIC PLUG, 1" (2713-BLK) (QTY 4)			
741	B1392104	UNIVERSAL BUSHING UB 875			
NS	0161M00003P	AMANA NAMEPLATE			
NS	M0310345	BUTTON PLUG (QTY 2)			
NS	M0209730	DECORATIVE SCREW (QTY 3)			
NS	0163M00049	HOSE CLAMP (QTY 3)			

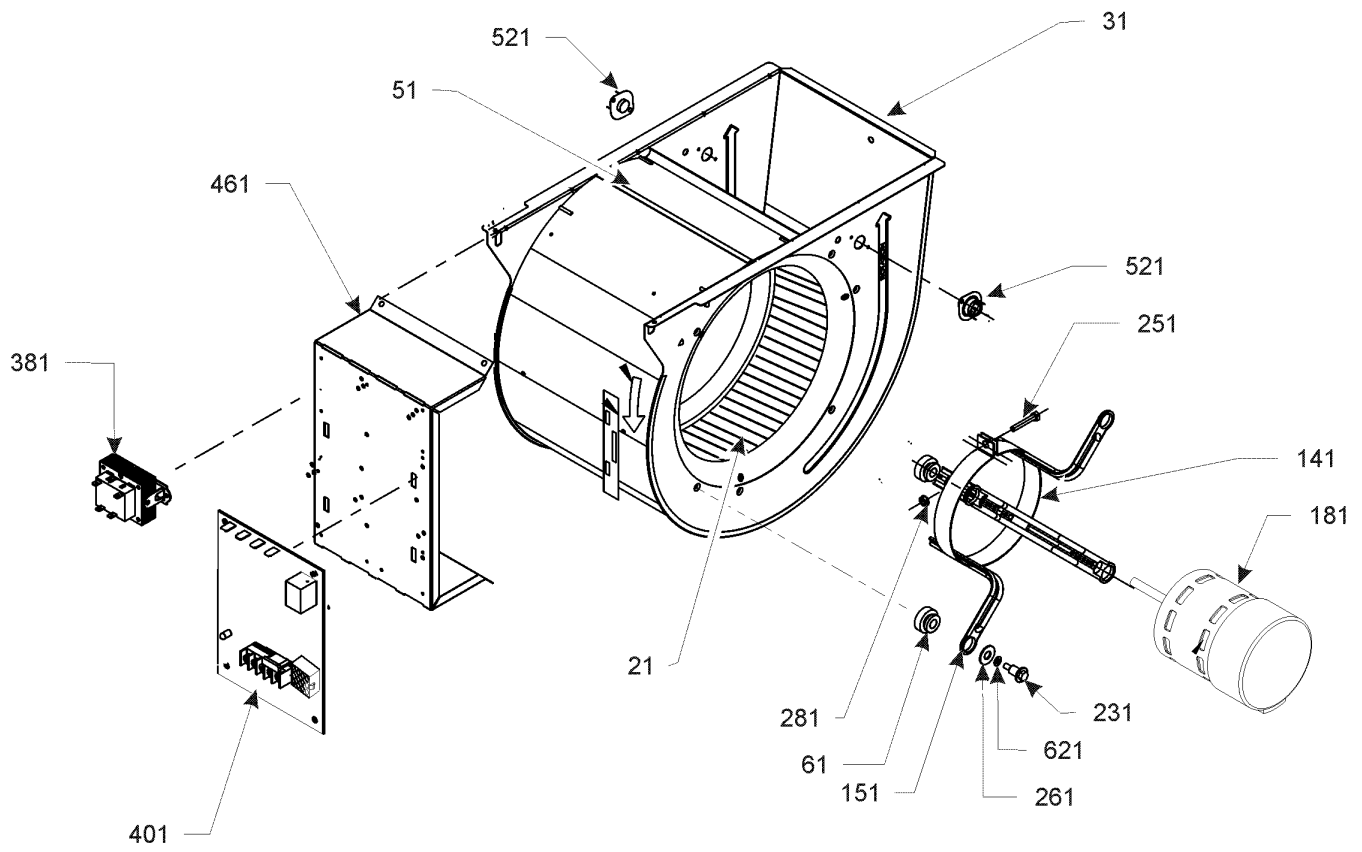
**Image 2:**

12	0270F03140	DRAIN PART BAG ASSY UF
22	0270F03138	BAG ASSY UF

**Expanded Model Nomenclature**

- |                      |
|----------------------|
| M1 - AMEC960302BNAB  |
| M2 - AMEC960402BNAA  |
| M3 - AMEC960402BNAB  |
| M4 - AMEC960603BNAA  |
| M5 - AMEC960603BNAB  |
| M6 - AMEC960803BNAA  |
| M7 - AMEC960803BNAB  |
| M8 - AMEC961004CNAA  |
| M9 - AMEC961004CNAB  |
| M10 - AMEC961205DNAA |
| M11 - AMEC961205DNAB |

# Blower Assembly



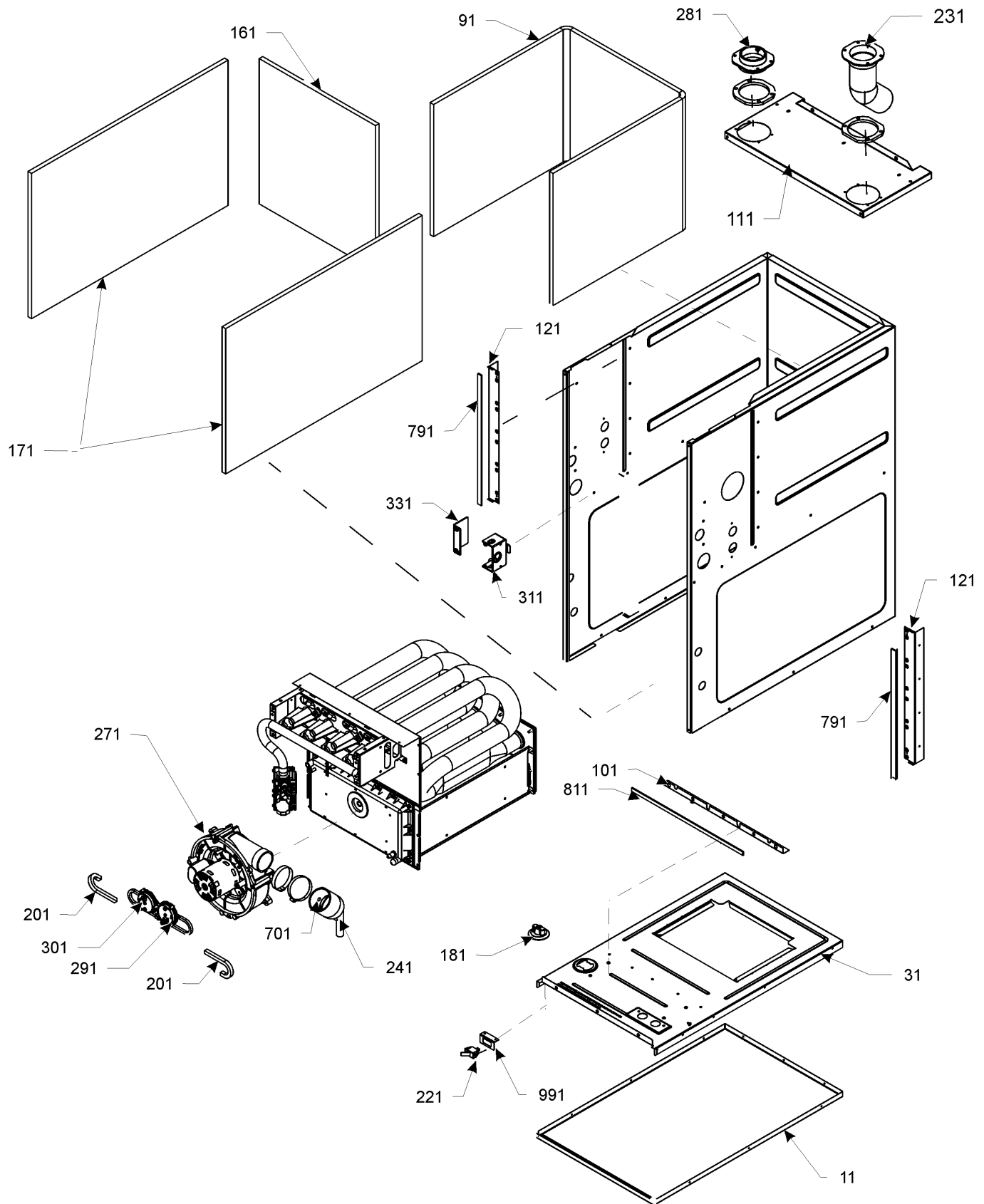
# Blower Assembly

Ref. Part No:	Ref. Part No:	Description:	Description:
<b>Image 1:</b>			
21	0150M00043	WHEEL, BLOWER (10 X 8) (M1, M2, M3)	
31	0271F00181	BLOWER HSG ASSY (M1, M2, M3)	
31	0271F00159	BLOWER SHELL & WHEEL ASSY (M4, M5, M6, M7)	
31	0271F00161	BLOWER SHELL & WHEEL ASSY (M8, M9)	
31	0271F00163	BLOWER SHELL & WHEEL ASSY (M10, M11)	
51	764740	BLOWER BLOCK-OFF 10 X 8 (M1, M2, M3)	
61	A4002702	BLOWER MOTOR GROMMET (M8, M9, M10, M11)	
141	0121M00038	MOTOR MOUNT BAND (M1, M2, M3, M4, M5, M6, M7)	
141	10441601	MOTOR MOUNT BAND (M8, M9, M10, M11)	
151	10441501	MOTOR MOUNT ARM (M8, M9, M10, M11)	
151	B1376857	MOTOR MOUNT ARM (M1, M2, M3, M4, M5, M6, M7)	
181	0131F00032	MOTOR, BLOWER (M1)	
181	0131F00033	MOTOR, BLOWER (M2, M3)	
181	0131F00034	MOTOR, BLOWER (M4, M5)	
181	0131F00035	MOTOR, BLOWER (M6, M7)	
181	0131F00036	MOTOR, BLOWER (M8, M9)	
181	0131F00037	MOTOR, BLOWER (M10, M11)	
231	M0221461	TC SCREW (M8, M9, M10, M11)	
231	M0250565	TC SCREW 1.25" (M1, M2, M3, M4, M5, M6, M7)	
251	M0267144	MACHINE SCREW (M8, M9, M10, M11)	
251	B1393323	MACHINE SCREW HWH 1/4-20 X 1-1/2 BZ (M1, M2, M3, M4, M5, M6, M7)	
261	B1392918	FLAT WASHER (M1, M2, M3, M4, M5, M6, M7)	
261	M0274008	FLAT WASHER (M8, M9, M10, M11)	
281	M0282015	KEPS NUT (M8, M9, M10, M11)	
381	0130M00140	TRANSFORMER 120V TO 24V, 40VA	
401	PCBBF137	PCB IGNITION HSI INTEG (M1, M3, M5, M7, M9, M11)	
401	PCBBF133	PCB, IGNITION, HSI, INTEG. (M2, M4, M6, M8, M10)	
461	0121F00464	CONTROL MOUNTING PLATE	
521	0130F00038	AUX LIMIT - LT BLUE 120° (QTY 2)	
621	B1392820	SLIT LOCK WASHER (M8, M9, M10, M11)	
NS	B1392021	1" PLASTIC PLUG (QTY 4)	
NS	0259F00024	HARNESS - BLOWER	

## Expanded Model Nomenclature

M1 - AMEC960302BNAB
M2 - AMEC960402BNAA
M3 - AMEC960402BNAB
M4 - AMEC960603BNAA
M5 - AMEC960603BNAB
M6 - AMEC960803BNAA
M7 - AMEC960803BNAB
M8 - AMEC961004CNAA
M9 - AMEC961004CNAB
M10 - AMEC961205DNAA
M11 - AMEC961205DNAB

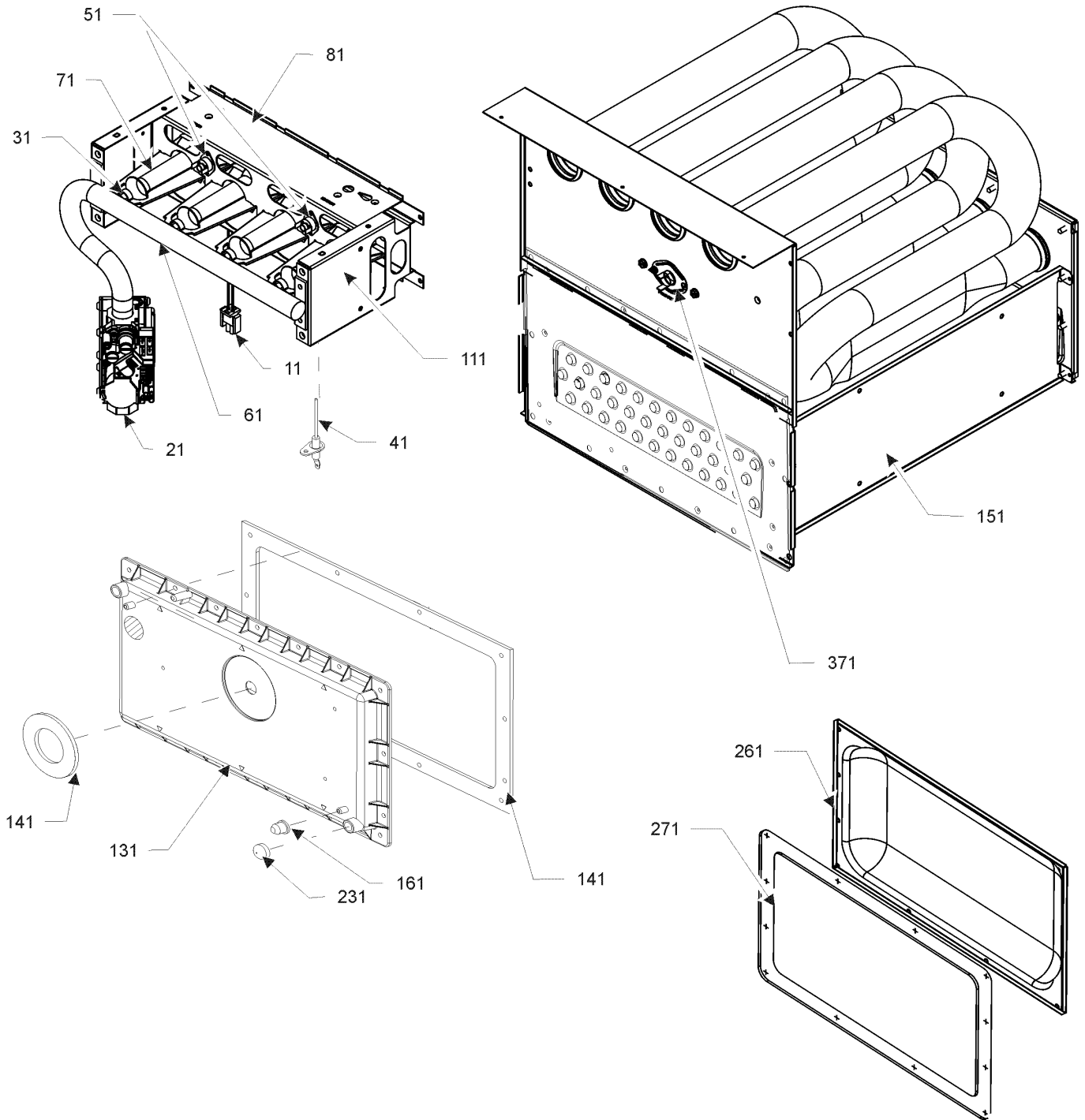
# Chassis



# Chassis

Ref. Part No: No:	Description:	Ref. Part No: No:	Description:
<i>Image 1:</i>		<b>Expanded Model Nomenclature</b>	
11	0121F00386DG BASEPAN, UPFLOW PNT (M1, M2, M3, M4, M5, M6, M7)	M1 - AMEC960302BNAB	
11	0121F00387DG BASEPAN, UPFLOW PNT (M8, M9)	M2 - AMEC960402BNAA	
11	0121F00388DG BASEPAN, UPFLOW PNT (M10, M11)	M3 - AMEC960402BNAB	
31	0121F00285 DECK, BLOWER 17.5 (M1, M2, M3, M4, M5, M6, M7)	M4 - AMEC960603BNAA	
31	0121F00286 DECK, BLOWER 21 (M8, M9)	M5 - AMEC960603BNAB	
31	0121F00287 DECK, BLOWER 24.5 (M10, M11)	M6 - AMEC960803BNAA	
91	0160F00015 INSULATION, HT EXCHANGER 17.5" (M1, M2, M3, M4, M5, M6, M7)	M7 - AMEC960803BNAB	
91	0160F00016 INSULATION, HT EXCHANGER 21" (M8, M9)	M8 - AMEC961004CNAA	
91	0160F00017 INSULATION, HT EXCHANGER 24.5" (M10, M11)	M9 - AMEC961004CNAB	
101	0121F00314 ANGLE, DECK (M1, M2, M3, M4, M5, M6, M7)	M10 - AMEC961205DNAA	
101	0121F00315 ANGLE, DECK (M8, M9)	M11 - AMEC961205DNAB	
101	0121F00316 ANGLE, DECK (M10, M11)		
111	0121F00279DG PAINTED TOP, FURNACE 17.5 (M1, M2, M3, M4, M5, M6, M7)		
111	0121F00280DG PAINTED TOP, FURNACE 21 (M8, M9)		
111	0121F00281DG PAINTED TOP, FURNACE 24.5 (M10, M11)		
121	0121F00313 SIDE ANGLE (QTY 2)		
161	0160F00012 INSULATION-BACK 17.5" (M1, M2, M3, M4, M5, M6, M7)		
161	0160F00013 INSULATION-BACK 21" (M8, M9)		
161	0160F00014 INSULATION-BACK 24.5" (M10, M11)		
171	0160F00018 INSULATION, SIDE (QTY 2)		
181	0159F00034 HARNESS, WIRING		
181	0159F00035 HARNESS, WIRING		
181	0159F00037 HARNESS, WIRING		
201	0164M00019 PRESSURE SW HOSE 6" (QTY 2)		
221	0130M00243 INTERLOCK SWITCH		
231	0164F00002 FLUE PIPE W/BEND		
241	0164F00001 ELBOW-FLUE, UPFLOW		
271	0171M00002 MOTOR-ID, BLOWER		
281	0161F00037 COUPLING		
291	0130F00481 PRESSURE SWITCH (-.1 (COL BOX)) (M4, M5, M6, M7, M8, M9, M10, M11)		
291	0130F00486 PRESSURE SWITCH (-.1 (COL BOX)) (M1, M2, M3)		
301	0130F00472 PRESSURE SWITCH (-.67 / -1.15) (M1, M8, M9)		
301	0130F00471 PRESSURE SWITCH (-.72 / -.97) (M2, M3)		
301	0130F00474 PRESSURE SWITCH (-.72 / -1.47) (M6, M7)		
301	0130F00446 PRESSURE SWITCH (-.76 / -1.25) (M10, M11)		
301	0130F00473 PRESSURE SWITCH (-.92 / -1.47) (M4, M5)		
311	0161F00042 JUNCTION BOX		
331	0161F00043 JUNCTION BOX LID		
701	M0326804 TUBE PLUG		
791	0154F00015 GASKET (QTY 2)		
811	0154F00014 GASKET (M1, M2, M3, M4, M5, M6, M7)		
811	0154F00016 GASKET (M8, M9)		
811	20194607 GASKET (M10, M11)		
991	0121F00389 BRACKET, DOOR SWITCH		

# Heat Exchanger / Manifold / Gas Valve



# Heat Exchanger / Manifold / Gas Valve

Ref. Part No: No:	Description:	Ref. Part No: No:	Description:
<i>Image 1:</i>		<b>Expanded Model Nomenclature</b>	
11	0130F00008	SINI IGNITOR	M1 - AMEC960302BNAB
21	0151M00027	GAS VALVE	M2 - AMEC960402BNAA
31	0163F00004	ORIFICE (M2, M3, M4, M5, M6, M7, M8, M9, M10, M11)	M3 - AMEC960402BNAB
31	0163F00019	ORIFICE (M1)	M4 - AMEC960603BNAA
41	0130F00010	FLAME SENSOR	M5 - AMEC960603BNAB
51	0130F00123	MANUAL RESET R.O.S. LIMIT (M6, M7)	M6 - AMEC960803BNAA
51	10123527	MANUAL RESET R.O.S. LIMIT (M10, M11)	M7 - AMEC960803BNAB
51	10123533	MANUAL RESET R.O.S. LIMIT (M1)	M8 - AMEC961004CNAA
51	10123534	MANUAL RESET R.O.S. LIMIT (M8, M9)	M9 - AMEC961004CNAB
51	10123539	MANUAL RESET R.O.S. LIMIT (M2, M3, M4, M5)	M10 - AMEC961205DNAA
61	0163F00007	MANIFOLD (M1, M2, M3)	M11 - AMEC961205DNAB
61	0163F00008	MANIFOLD (M4, M5)	
61	0163F00010	MANIFOLD (M8, M9)	
61	0163F00011	MANIFOLD (M10, M11)	
61	0163F00014	MANIFOLD (M6, M7)	
71	0163F00017	BECKETT BURNER (QTY 2)	
81	0121F00456	BRACKET-BURNER 2 (M1, M2, M3)	
81	0121F00455	BRACKET-BURNER 3 (M4, M5)	
81	0121F00454	BRACKET-BURNER 4 (M6, M7)	
81	0121F00453	BRACKET-BURNER 5 (M8, M9)	
81	0121F00451	BRACKET-BURNER 6 (M10, M11)	
111	0121F00469	ORIFICE BRACKET-BURNER 2 (M1, M2, M3)	
111	0121F00468	ORIFICE BRACKET-BURNER 3 (M4, M5)	
111	0121F00467	ORIFICE BRACKET-BURNER 4 (M6, M7)	
111	0121F00466	ORIFICE BRACKET-BURNER 5 (M8, M9)	
111	0121F00465	ORIFICE BRACKET-BURNER 6 (M10, M11)	
131	0161F00015	FRONT COVER (M2, M3)	
131	0161F00024	FRONT COVER (M6, M7)	
131	0161F00032	FRONT COVER (M1)	
131	0161F00054	FRONT COVER (M4, M5)	
131	0161F00063	FRONT COVER (M10, M11)	
131	0161F00065	FRONT COVER (M8, M9)	
141	0154F00011	FRONT GASKET (M1, M2, M3, M4, M5, M6, M7)	
141	0154F00012	FRONT GASKET (M8, M9)	
141	0154F00013	FRONT GASKET (M10, M11)	
151	0257F00388	HEAT EXCHANGER ASSY (M1)	
151	0257F00391	HEAT EXCHANGER ASSY (M10, M11)	
151	0257F00394	HEAT EXCHANGER ASSY (M8, M9)	
151	0257F00354	HEAT EXCHANGER ASSY. (M6, M7)	
151	0257F00375	HEAT EXCHANGER ASSY. (M4, M5)	
151	0257F00385	HEAT EXCHANGER ASSY. (M2, M3)	
161	M0326804	TUBE PLUG	
231	A1781105	CAP-VINYL .500	
261	0121F00317	REAR COVER (M1, M2, M3, M4, M5, M6, M7)	
261	0121F00318	REAR COVER (M8, M9)	
261	0121F00319	REAR COVER (M10, M11)	
271	0154F00037	REAR COVER GASKET (M1, M2, M3, M4, M5, M6, M7)	
271	0154F00038	REAR COVER GASKET (M8, M9)	
271	0154F00039	REAR COVER GASKET (M10, M11)	
371	20162904	*PRIMARY LIMIT-TEMPERATURE CONTROL (M1, M2, M3, M4, M5, M6, M7) *Refer to SF-054	
371	0130F00036	PRIMARY LIMIT - PINK (M10, M11)	
371	20162906	PRIMARY LIMIT - WHITE (M8, M9)	
NS	0121F00439	PRIMARY LIMIT-HEAT SHIELD	
NS	0121F00355	SHIELD, COIL (QTY 2)	