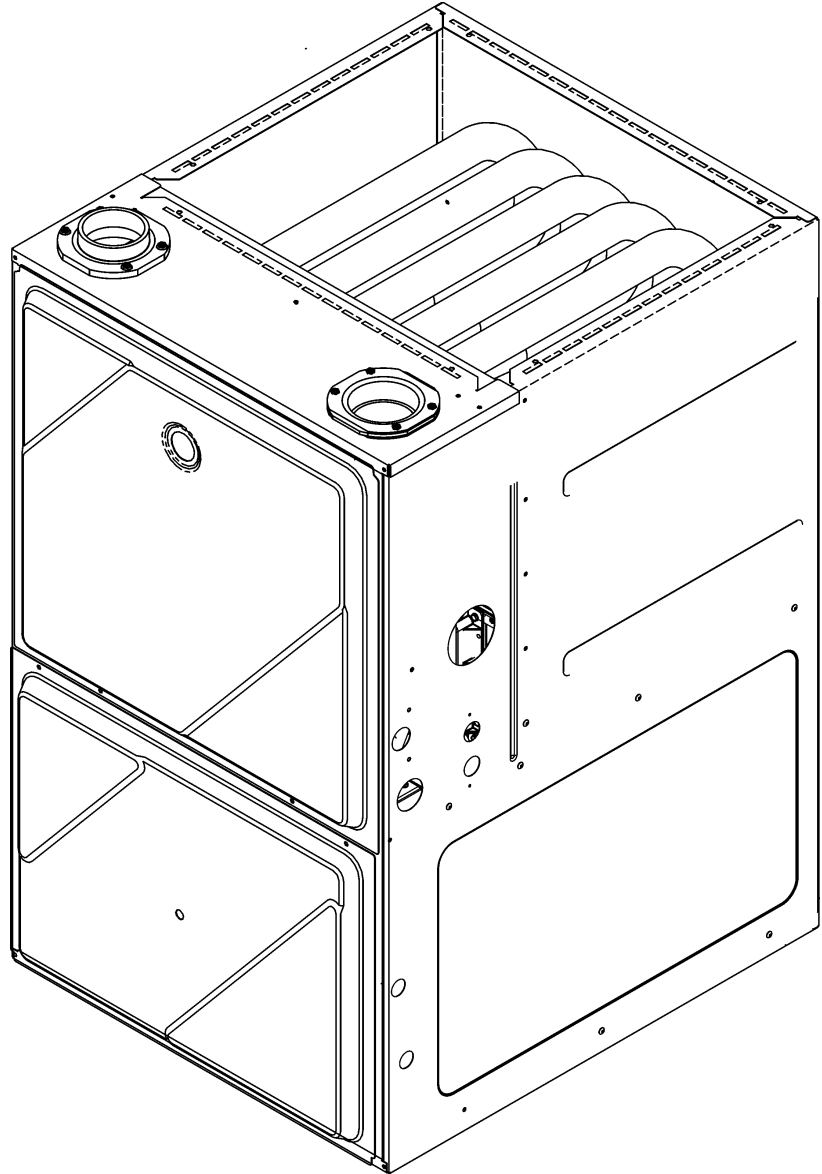


## AMEC 96% ECM Up Flow Furnace

AMEC960804CNAB

AMEC961005CNAB



Amana® is a registered trademark of Maytag Corporation or its related companies and is used under license. All rights reserved.

This manual is to be used by qualified technicians only.

© 2016 Goodman Company, L.P. ♦ 5151 San Felipe St, Suite 500 ♦ Houston, TX 77056

# Important Information

---

## Index

Functional Parts List .....	3
Illustration and Parts .....	4 - 11

*Views shown are for parts illustrations only, not servicing procedures*

### Text Codes:

AR - As Required

NA - Not Available

NS - Not Shown

00000000 - See Note

QTY - Quantity Example (QTY 3) (If Quantity not shown, Quantity = 1)

M - Model Example (M1) (If M Code not shown, then part is used on all Models)

### Expanded Model Nomenclature:

Example M1 - Model#1 M2 - Model#2 M3 - Model#3
---

Goodman Company, L.P. is not responsible for personal injury or property damage resulting from improper service. Review all service information before beginning repairs.

Warranty service must be performed by an authorized technician, using authorized factory parts. If service is required after the warranty expires, Goodman Company, L.P. also recommends contacting an authorized technician and using authorized factory parts.

Goodman Company, L.P. reserves the right to discontinue, or change at any time, specifications or designs without notice or without incurring obligations.

For assistance within the U.S.A. contact:

Homeowner Support  
Goodman Company, L.P.  
19001 Kermier Road  
Waller, Texas 77484  
877-254-4729-Telephone  
713-863-2382-Facsimile

For assistance outside the U.S.A. contact:

International Division  
Goodman Company, L.P.  
19001 Kermier Road  
Waller, Texas 77484  
713-861-2500-Telephone  
713-863-2382-Facsimile

# Functional Parts

## Part

## No: Description:

---

20162904	*PRIMARY LIMIT-TEMPERATURE CONTROL (M1) * Refer to SF-054
0130F00038	AUX LIMIT - LT BLUE 120° (QTY 2)
0163F00017	BECKETT BURNER (QTY 4)
0271F00161	BLOWER SHELL & WHEEL ASSY
0130F00010	FLAME SENSOR
0151M00027	GAS VALVE
0257F00397	HEAT EXCHANGER ASSY (M2)
0257F00290	HEAT EXCHANGER ASSY. (M1)
0130M00243	INTERLOCK SWITCH
10123539	MANUAL RESET R.O.S. LIMIT (M1)
10123534	MANUAL RESET R.O.S. LIMIT (M2)
0131F00039	MOTOR,BLOWER (M1)
0131F00040	MOTOR,BLOWER (M2)
PCBBF137	PCB IGNITION HSI INTEG
0130F00481	PRESSURE SWITCH (-.1 (COL BOX))
0130F00444	PRESSURE SWITCH (-.67 / -1.25) (M2)
0130F00475	PRESSURE SWITCH (-.78 / -1.25) (M1)
20162903	PRIMARY LIMIT - BLUE (M2)
0130F00008	SINI IGNITOR
0130M00140	TRANSFORMER 120V TO 24V, 40VA

### SPECIAL PARTS

0161M00003P AMANA NAMEPLATE

### Expanded Model Nomenclature

M1 - AMEC960804CNAB

M2 - AMEC961005CNAB

# Cabinet

Image 1

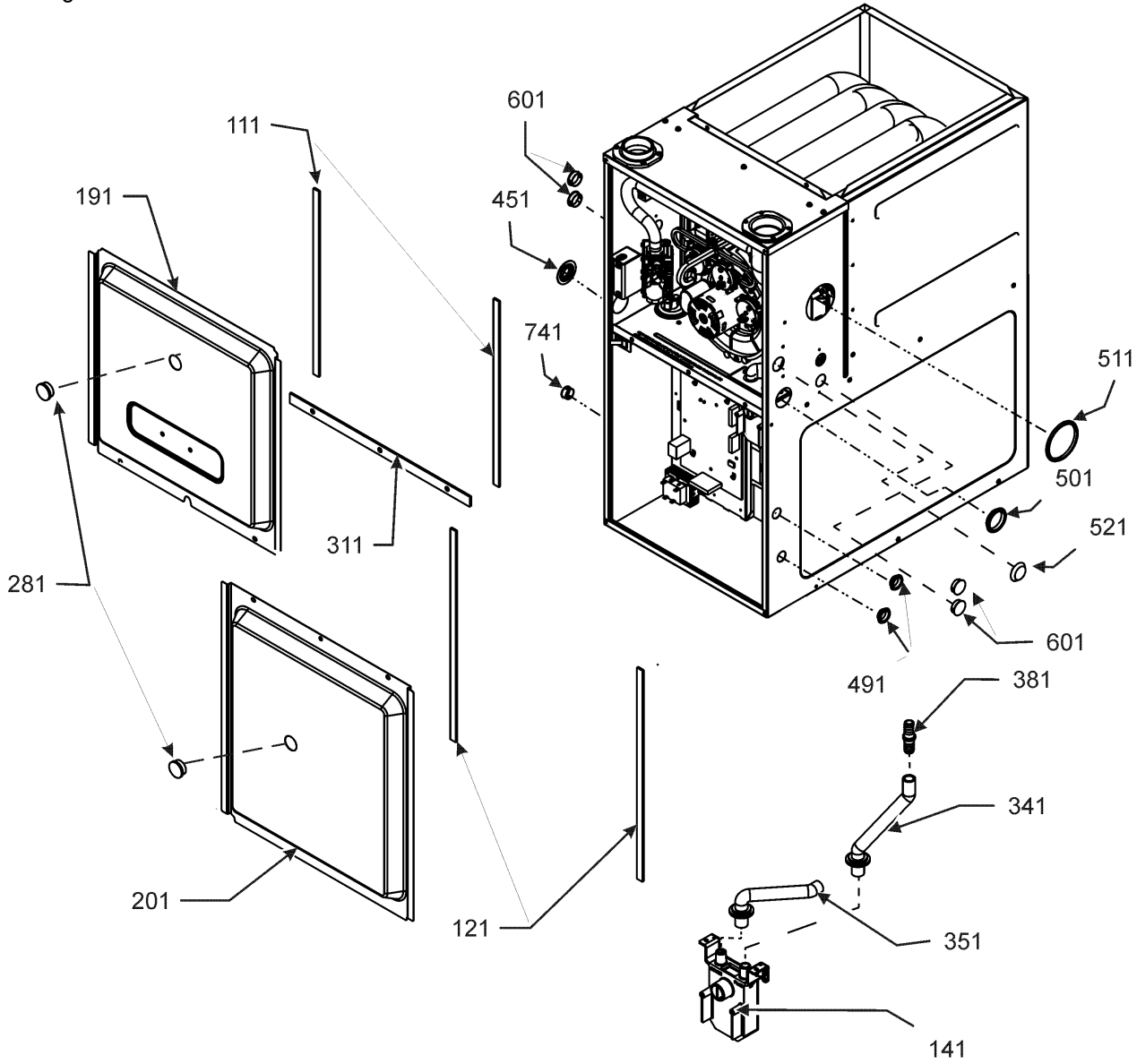
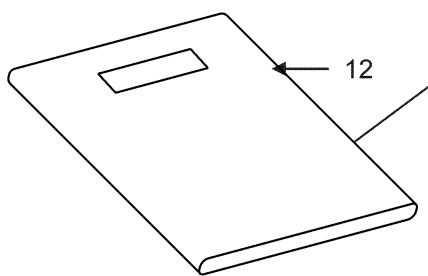
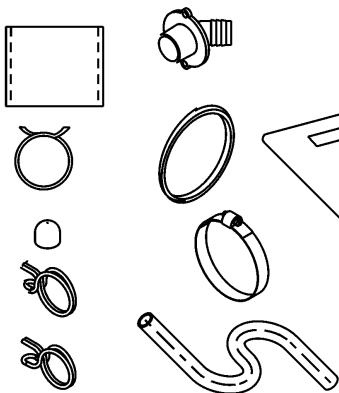


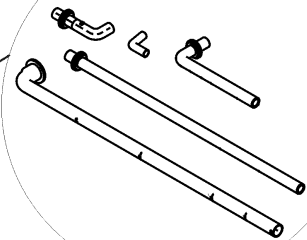
Image 2



CONTENTS:



CONTENTS:



# Cabinet

<b>Ref. Part No: No:</b>	<b>Description:</b>	<b>Ref. Part No: No:</b>	<b>Description:</b>
<b>Image 1:</b>			
111	0154F00024		GASKET (QTY 2)
121	0154F00025		GASKET (QTY 2)
141	0161F00046		DRAIN TRAP
191	0121F00338LG		DOOR ACCESS 21" PNT
201	0121F00341LG		DOOR, BLOWER 21" PNT
281	B1392139		VIEW PORT BUSHING-BLOWER DOOR (QTY 2)
311	0154F00021		DECK GASKET
341	0164F00017		ELBOW/TRAP HOSE
351	0164F00006		COVER/TRAP HOSE
381	0161F00047		BARDED HOSE COUPLING
451	M0501301		PIPE GROMMET
491	M0570808		BUTTON PLUG (QTY 3)
501	M0570806		BUTTON PLUG
511	M0570807		BUTTON PLUG
521	0161M00027		HOLE PLUG
601	B1392021		PLASTIC PLUG, 1" (2713-BLK) (QTY 4)
741	B1392104		UNIVERSAL BUSHING UB 875
NS	0161M00003P		AMANA NAMEPLATE
NS	M0310345		BUTTON PLUG (QTY 2)
NS	M0209730		DECORATIVE SCREW (QTY 3)
NS	0163M00049		HOSE CLAMP (QTY 2)

## Image 2:

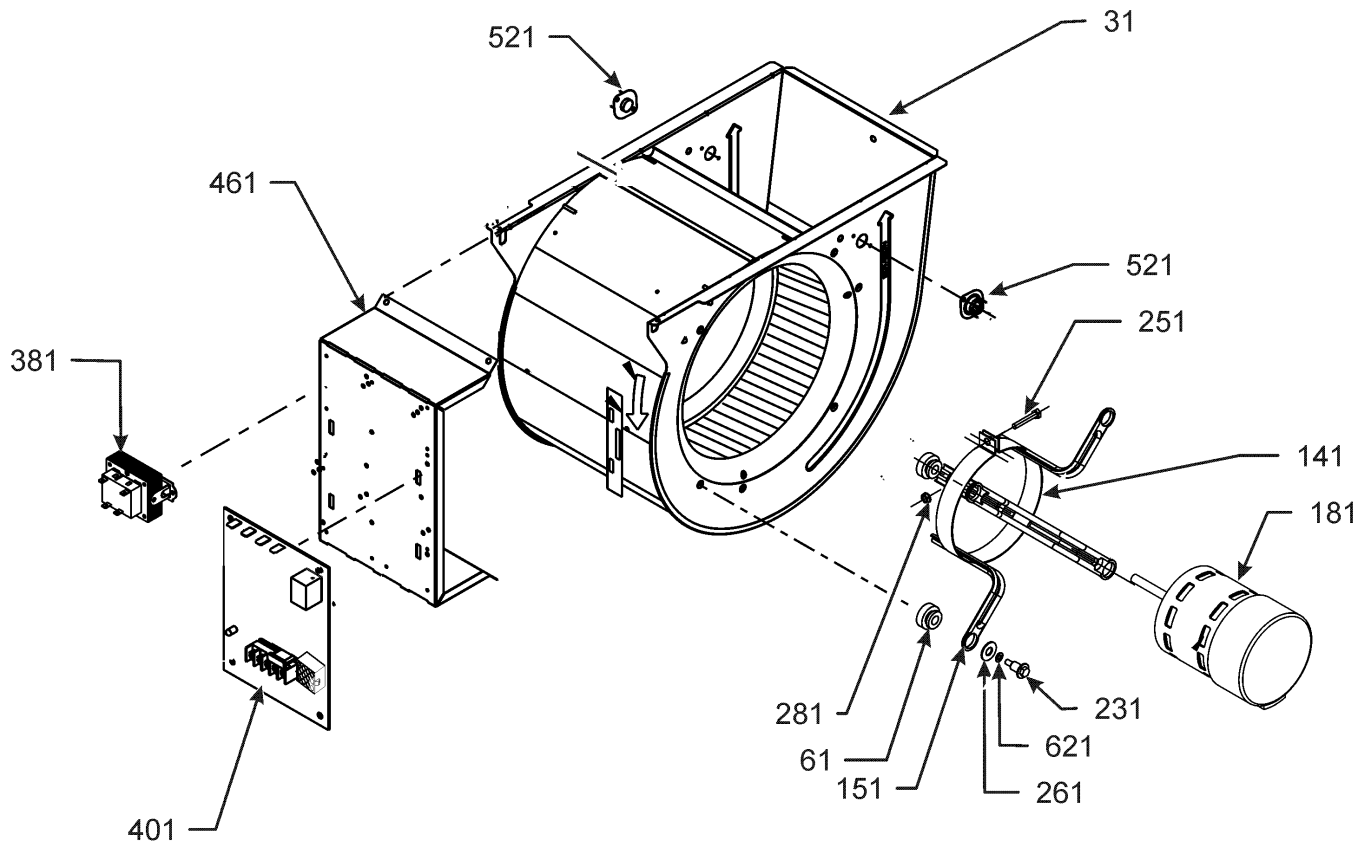
12	0270F03140		DRAIN PART BAG ASSY UF
22	0270F03667		BAG ASSY UF

## Expanded Model Nomenclature

M1 - AMEC960804CNAB

M2 - AMEC961005CNAB

# Blower Assembly



# Blower Assembly

Ref. Part No: No:	Description:	Ref. Part No: No:	Description:
-------------------	--------------	-------------------	--------------

---

**Image 1:**

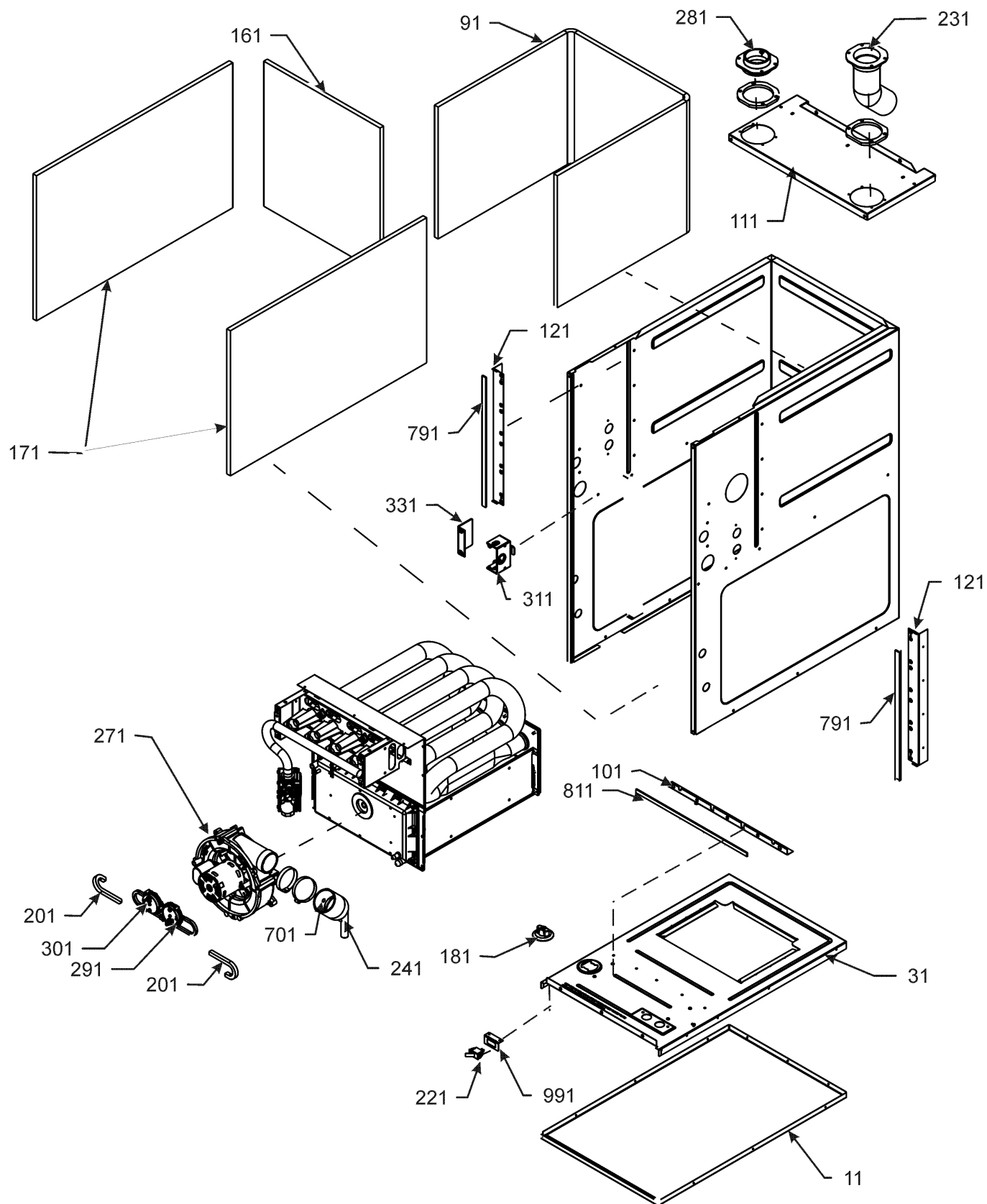
31	0271F00161	BLOWER SHELL & WHEEL ASSY
61	A4002702	BLOWER MOTOR GROMMET (QTY 4)
141	10441601	MOTOR MOUNT BAND
151	10441501	MOTOR MOUNT ARM (QTY 4)
181	0131F00039	MOTOR,BLOWER (M1)
181	0131F00040	MOTOR,BLOWER (M2)
231	M0221461	TC SCREW (QTY 4)
251	M0267144	MACHINE SCREW
261	M0274008	FLAT WASHER (QTY 4)
281	M0282015	KEPS NUT
381	0130M00140	TRANSFORMER 120V TO 24V, 40VA
401	PCBBF137	PCB IGNITION HSI INTEG
461	0121F00464	CONTROL MOUNTING PLATE
521	0130F00038	AUX LIMIT - LT BLUE 120° (QTY 2)
621	B1392820	SLIT LOCK WASHER (QTY 4)
NS	B1392021	1" PLASTIC PLUG (QTY 4)
NS	0259F00024	HARNESS - BLOWER

**Expanded Model Nomenclature**

M1 - AMEC960804CNAB

M2 - AMEC961005CNAB

# Chassis



# Chassis

Ref. Part No: No:	Description:	Ref. Part No: No:	Description:
-------------------	--------------	-------------------	--------------

**Image 1:**

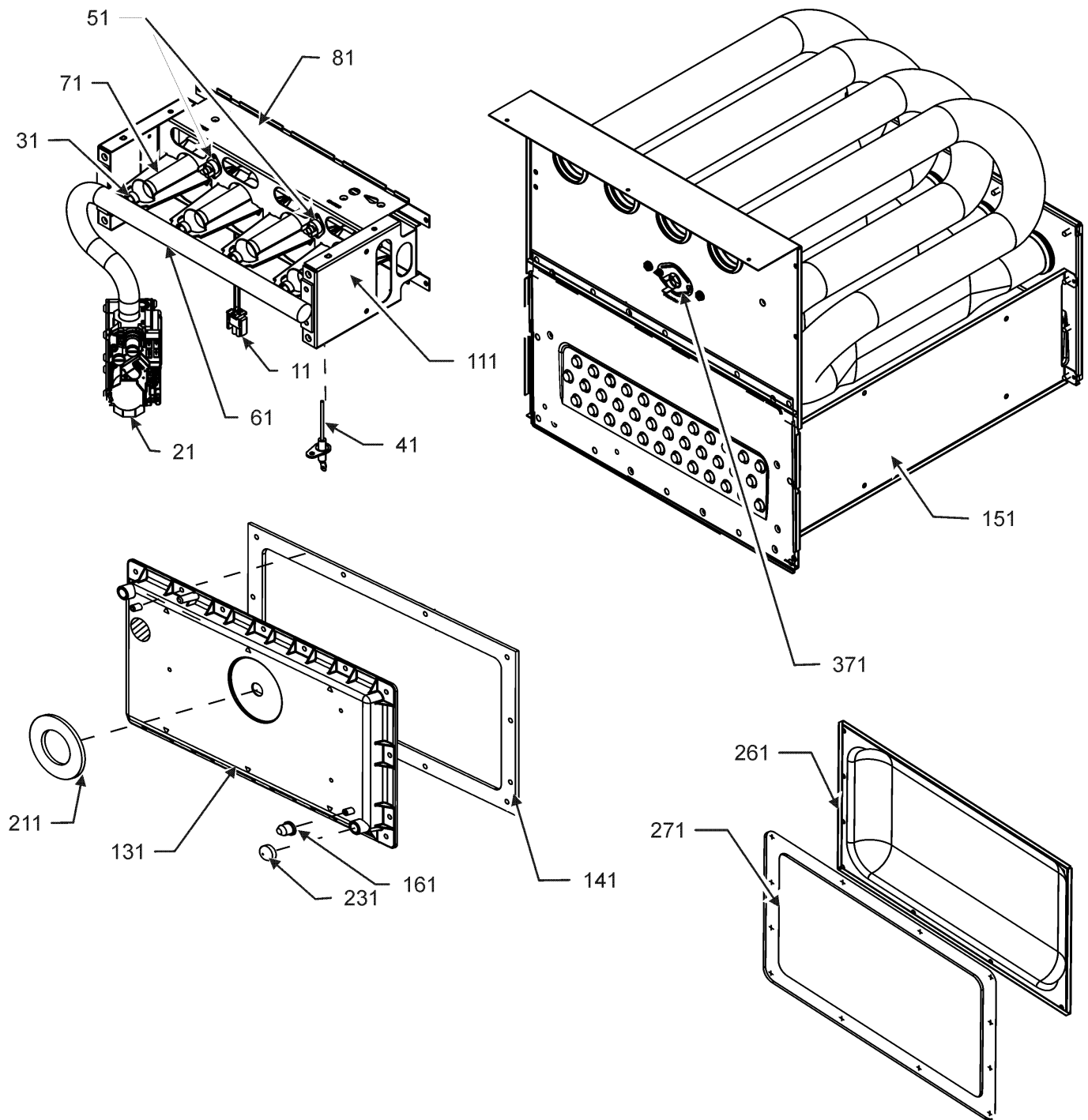
11	0121F00531DG	BASEPAN, 21 PNT
31	0121F00534	DECK-BLOWER 21"
91	0160F00015	INSULATION, HT EXCHANGER 17.5"
101	0121F00315	ANGLE, DECK
111	0121F00280DG	PAINTED TOP, FURNACE 21
121	0121F00313	SIDE ANGLE (QTY 2)
161	0160F00013	INSULATION-BACK 21"
171	0160F00018	INSULATION, SIDE (QTY 2)
181	0159F00034	HARNESS, WIRING
181	0159F00035	HARNESS, WIRING
181	0159F00037	HARNESS, WIRING
201	0164M00019	PRESSURE SW HOSE 6" (QTY 2)
221	0130M00243	INTERLOCK SWITCH
231	0164F00002	FLUE PIPE W/BEND
241	0164F00001	ELBOW-FLUE, UPFLOW
271	0171M00002	MOTOR-ID, BLOWER
281	0161F00037	COUPLING
291	0130F00481	PRESSURE SWITCH (-.1 (COL BOX))
301	0130F00444	PRESSURE SWITCH (-.67 / -1.25) (M2)
301	0130F00475	PRESSURE SWITCH (-.78 / -1.25) (M1)
311	0161F00042	JUNCTION BOX
331	0161F00043	JUNCTION BOX LID
701	M0326804	TUBE PLUG
791	0154F00015	GASKET (QTY 2)
811	0154F00016	GASKET
991	0121F00389	BRACKET, DOOR SWITCH

**Expanded Model Nomenclature**

M1 - AMEC960804CNAB

M2 - AMEC961005CNAB

# Heat Exchanger / Manifold / Gas Valve



# Heat Exchanger / Manifold / Gas Valve

Ref. Part No: No:	Description:	Ref. Part No: No:	Description:
<b>Image 1:</b>			
11	0130F00008		SINI IGNITOR
21	0151M00027		GAS VALVE
31	10716005		ORIFICE (QTY 4)
41	0130F00010		FLAME SENSOR
51	10123534		MANUAL RESET R.O.S. LIMIT (M2)
51	10123539		MANUAL RESET R.O.S. LIMIT (M1)
61	0163F00009		MANIFOLD (M1)
61	0163F00010		MANIFOLD (M2)
71	0163F00017		BECKETT BURNER (QTY 4)
81	0121F00454		BRACKET-BURNER 4 (M1)
81	0121F00453		BRACKET-BURNER 5 (M2)
111	0121F00467		ORIFICE BRACKET-BURNER 4 (M1)
111	0121F00466		ORIFICE BRACKET-BURNER 5 (M2)
131	0161F00030		FRONT COVER (M1)
131	0161F00072		FRONT COVER (M2)
141	0154F00030		GASKET FRONT COVER
151	0257F00397		HEAT EXCHANGER ASSY (M2)
151	0257F00290		HEAT EXCHANGER ASSY. (M1)
161	M0326804		TUBE PLUG
211	0154F00043		GASKET ID BLOWER
231	A1781105		CAP-VINYL .500
261	0121F00318		REAR COVER
271	0154F00038		REAR COVER GASKET
371	20162904		*PRIMARY LIMIT-TEMPERATURE CONTROL (M1) * Refer to SF-054
371	20162903		PRIMARY LIMIT - BLUE (M2)
NS	0121F00439		PRIMARY LIMIT-HEAT SHIELD
NS	0121F00355		SHIELD, COIL (QTY 2)

## Expanded Model Nomenclature

M1 - AMEC960804CNAB

M2 - AMEC961005CNAB