

AMEC 96% Two-Stage Multi-Speed ECM Furnace

AMEC960603BNBA



Amana[®] is a registered trademark of Maytag Corporation or its related companies and is used under license. All rights reserved.

This manual is to be used by qualified technicians only.

© 2018 Goodman Company, L.P. ♦ 5151 San Felipe St, Suite 500 ♦ Houston, TX 77056

Important Information

Index

Functional Parts List	3
Illustration and Parts	4 - 11

Views shown are for parts illustrations only, not servicing procedures.

Text Codes:

AR - As Required

NA - Not Available

NS - Not Shown

00000000 - See Note

QTY - Quantity Example (QTY 3) (If Quantity not shown, Quantity = 1)

M - Model Example (M1) (If M Code not shown, then part is used on all Models)

Expanded Model Nomenclature:

Example M1 - Model#1 M2 - Model#2 M3 - Model#3

Goodman Company, L.P. is not responsible for personal injury or property damage resulting from improper service. Review all service information before beginning repairs.

Warranty service must be performed by an authorized technician, using authorized factory parts. If service is required after the warranty expires, Goodman Company, L.P. also recommends contacting an authorized technician and using authorized factory parts.

Goodman Company, L.P. reserves the right to discontinue, or change at any time, specifications or designs without notice or without incurring obligations.

For assistance within the U.S.A. contact:

Homeowner Support
Goodman Company, L.P.
19001 Kermier Road
Waller, Texas 77484
877-254-4729-Telephone
713-863-2382-Facsimile

For assistance outside the U.S.A. contact:

International Division
Goodman Company, L.P.
19001 Kermier Road
Waller, Texas 77484
713-861-2500-Telephone
713-863-2382-Facsimile

Functional Parts

Part

No: Description:

0130F00038	AUX LIMIT - LT BLUE 120° (QTY 2)
0163F00017	BECKETT BURNER (QTY 3)
0271F00159	BLOWER SHELL & WHEEL ASSY
0130F00010	FLAME SENSOR
0151M00027	GAS VALVE
0257F00375	HEAT EXCHANGER ASSY
0130F00008	IGNITOR-SINI 17 SEC
0130M00243	INTERLOCK SWITCH
10123539	MANUAL RESET LIMIT - ROS (QTY 2)
0131F00059	MOTOR, BLOWER
0171M00002	MOTOR-ID, BLOWER
PCBBF139	PCB, IGNITION CONTROL
0130F00429	PRESSURE SWITCH
20162906	PRIMARY LIMIT - WHITE
0130F00435	SWITCH, PRESSURE
0130M00140	TRANSFORMER 120V TO 24V, 40VA

SPECIAL PARTS

0161M00032 NAMEPLATE, AMANA

Expanded Model Nomenclature

M1 - AMEC960603BNBA

Cabinet Assembly

Ref. Part No:	No:	Description:	Ref. Part No:	No:	Description:
---------------	-----	--------------	---------------	-----	--------------

Image 1:

111	0154F00024	GASKET (QTY 2)
121	0154F00025	GASKET (QTY 2)
141	0161F00046	DRAIN TRAP
191	0121F00337LG	DOOR, ACCESS 17.5" PNT
201	0121F00340LG	DOOR, BLOWER 17.5" PNT
281	B1392139	VIEW PORT BUSHING-BLOWER DOOR (QTY 2)
311	0154F00020	GASKET, DECK
341	0164F00017	HOSE-ELBOW/TRAP
351	0164F00006	HOSE, COVER/TRAP
381	0161F00047	COUPLING, HOSE BARBED
451	M0501301	PIPE GROMMET
491	M0570808	BUTTON PLUG (QTY 3)
501	M0570806	BUTTON PLUG
511	M0570807	BUTTON PLUG
521	0161M00027	PLUG, HOLE
601	B1392021	PLASTIC PLUG, 1" (2713-BLK) (QTY 4)
741	B1392104	UNIVERSAL BUSHING UB 875
NS	M0310345	BUTTON PLUG (QTY 2)
NS	0161M00032	NAMEPLATE, AMANA
NS	M0273904	RETAINER SCREW (QTY 3)
NS	M0209730	SCREW-DECORATIVE (QTY 3)

Image 2:

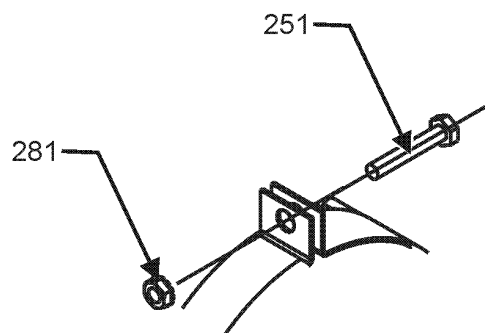
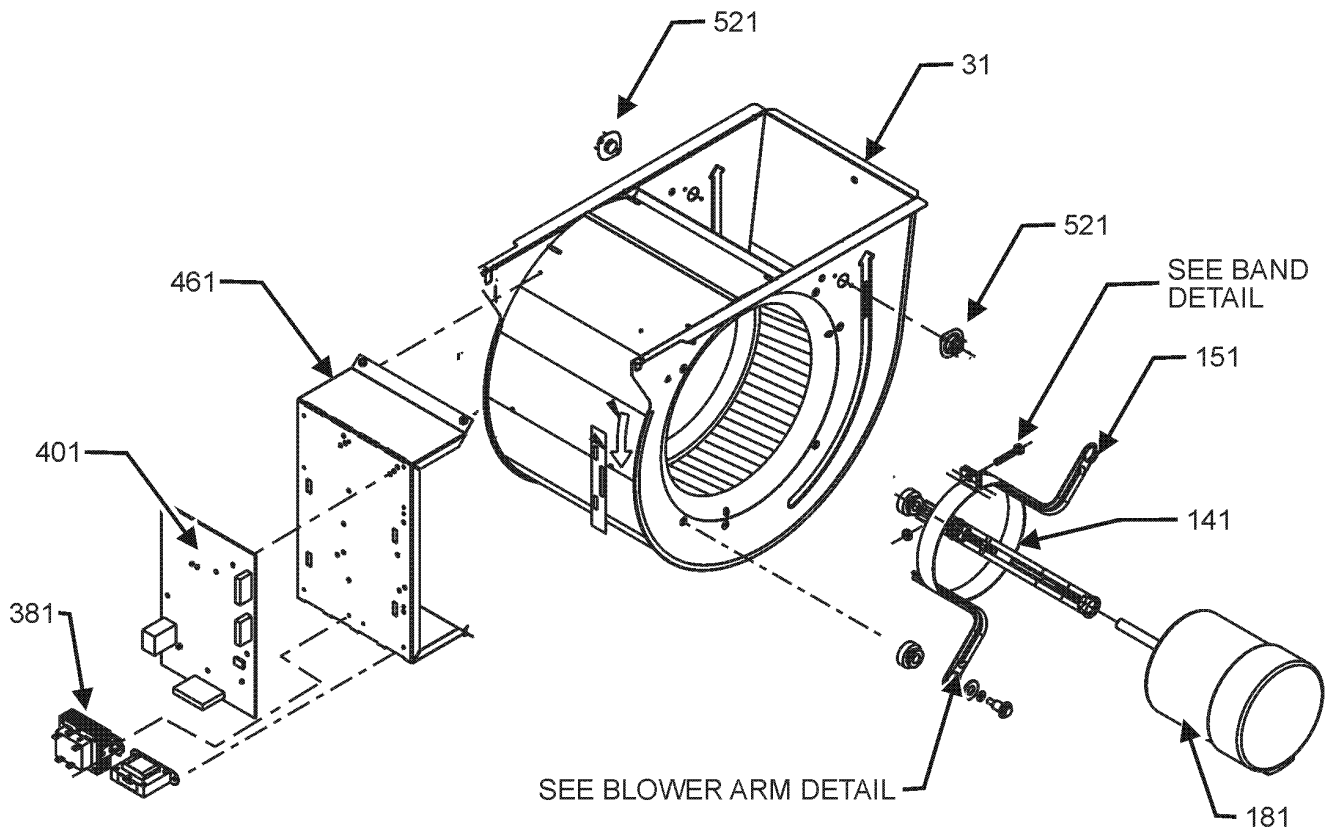
12	0270F03140	DRAIN PART BAG ASSY UF
22	0270F03667	BAG ASSY UF

Expanded Model Nomenclature

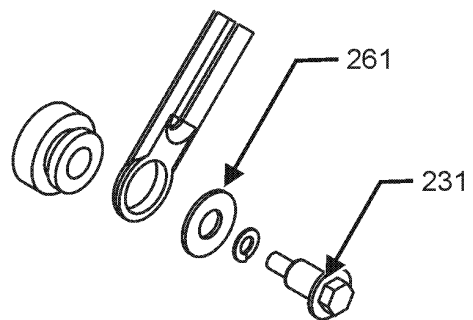
M1 - AMEC960603BNBA

Blower Assembly

BLOWER ASSEMBLY



BAND DETAIL



BLOWER ARM DETAIL

BLOWER ASSEMBLY MAY DIFFER FROM WHAT IS SHOWN

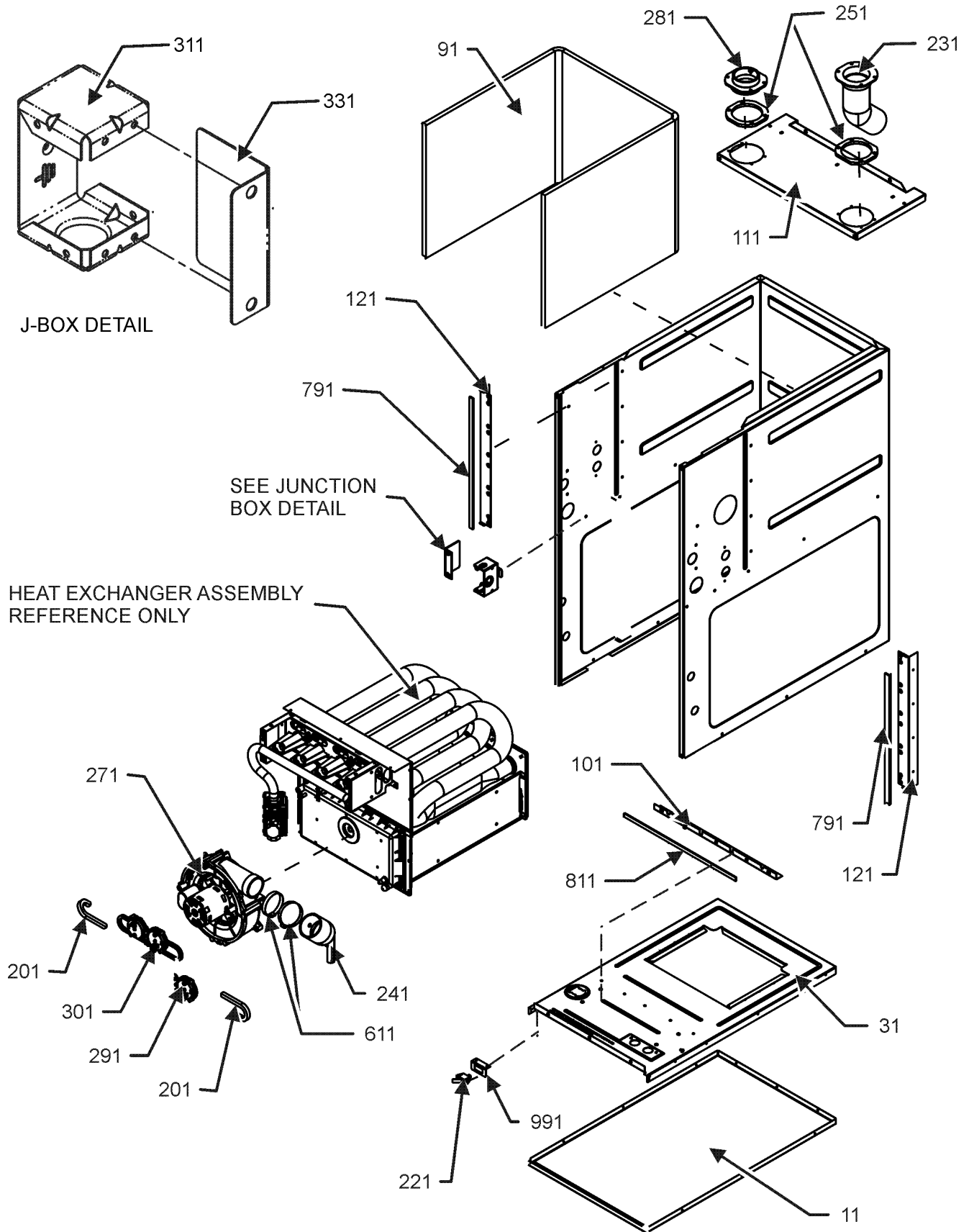
Blower Assembly

Ref. Part No:	No:	Description:	Ref. Part No:	No:	Description:
<i>Image 1:</i>					
31	0271F00159	BLOWER SHELL & WHEEL ASSY			
141	0121M00038	MOTOR MOUNT BAND			
151	B1376857	MOTOR MOUNT ARM (QTY 3)			
181	0131F00059	MOTOR, BLOWER			
231	M0250565	TC SCREW 1.25" (QTY 3)			
251	B1393323	MACHINE SCREW HWH 1/4-20 X 1-1/2 BZ			
261	B1392918	WASHER, FLAT 1/4 ID X 1 OD (QTY 3)			
281	B1393800	LOCKNUT, NYLON, INSERT 1/4, 20			
381	0130M00140	TRANSFORMER 120V TO 24V, 40VA			
401	PCBBF139	PCB, IGNITION CONTROL			
461	0121F00464	MOUNTING PLATE-CONTROLS			
521	0130F00038	AUX LIMIT - LT BLUE 120° (QTY 2)			
NS	B1392021	PLASTIC PLUG, 1" (2713-BLK) (QTY 4)			
NS	0259F00024	WIRE HARNESS-BLOWER			

Expanded Model Nomenclature

M1 - AMEC960603BNBA

Chassis Assembly



Chassis Assembly

Ref. Part No:	No:	Description:	Ref. Part No:	No:	Description:
---------------	-----	--------------	---------------	-----	--------------

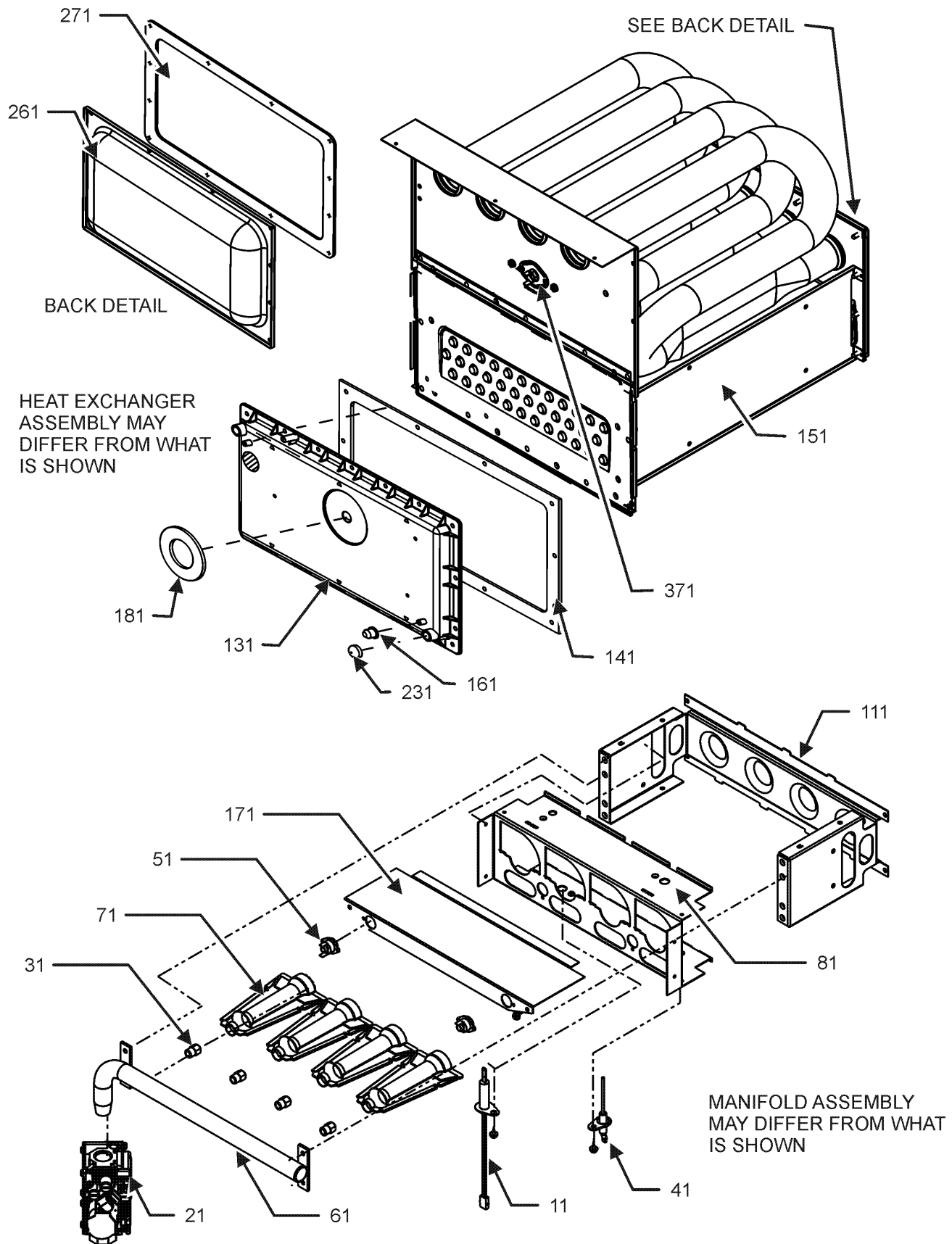
Image 1:

11	0121F00530DG	BASEPAN, 17.5
31	0121F00533	DECK-BLOWER 17.5"
91	0160F00015	INSULATION, HT EXCHANGER 17.5"
101	0121F00314	ANGLE, DECK
111	0121F00279DG	PAINTED TOP, FURNACE 17.5
121	0121F00313	ANGLE, SIDE (QTY 2)
201	0164M00019	HOSE-PRESSURE SW 6" (QTY 2)
221	0130M00243	INTERLOCK SWITCH
231	0164F00002	FLUE PIPE W/BEND
241	0164F00001	ELBOW-FLUE, UPFLOW
251	0154F00041	FRESH AIR GASKET (QTY 2)
271	0171M00002	MOTOR-ID, BLOWER
281	0161F00037	COUPLING
291	0130F00429	PRESSURE SWITCH
301	0130F00435	SWITCH, PRESSURE
311	0161F00042	JUNCTION BOX PLA
331	0161F00043	JUNCTION BOX LID
611	0163M00049	CLAMP HOSE (QTY 2)
791	0154F00015	GASKET (QTY 2)
811	0154F00014	GASKET
991	0121F00389	BRACKET, DOOR SWITCH
NS	0159F00068	HARNESS, WIRING
NS	M0326804	PLUG-TUBE
NS	0164M00002	PRESSURE SWITCH HOSE (QTY 2)
NS	0159F00076	WIRING HARNESS

Expanded Model Nomenclature

M1 - AMEC960603BNBA

Heat Exchange Assembly



Heat Exchange Assembly

Ref. Part No:	No:	Description:	Ref. Part No:	No:	Description:
<i>Image 1:</i>					
11	0130F00008	IGNITOR-SINI 17 SEC			
21	0151M00027	GAS VALVE			
31	10716005	ORIFICE (QTY 3)			
41	0130F00010	FLAME SENSOR			
51	10123539	MANUAL RESET LIMIT - ROS (QTY 2)			
61	0163F00008	MANIFOLD			
71	0163F00017	BECKETT BURNER (QTY 3)			
81	0121F00455	BRACKET-BURNER 3			
111	0121F00468	ORIFICE BRACKET-BURNER 3			
131	0161F00054	COVER, FRONT			
141	0154F00026	GASKET FRONT COVER			
151	0257F00375	HEAT EXCHANGER ASSY			
161	M0326804	TUBE PLUG			
171	0121F00540	SHEILD, BURNER			
181	0154F00043	GASKET ID BLOWER			
231	A1781105	CAP-VINYL .500			
261	0121F00317	COVER, REAR			
271	0154F00037	GASKET, REAR CVR			
371	20162906	PRIMARY LIMIT - WHITE			
NS	0121F00583	INSULATION, RETAINER			
NS	0121F00439	PRIMARY LIMIT-HEAT SHIELD			
NS	0121F00355	SHIELD, COIL (QTY 2)			

Expanded Model Nomenclature

M1 - AMEC960603BNBA