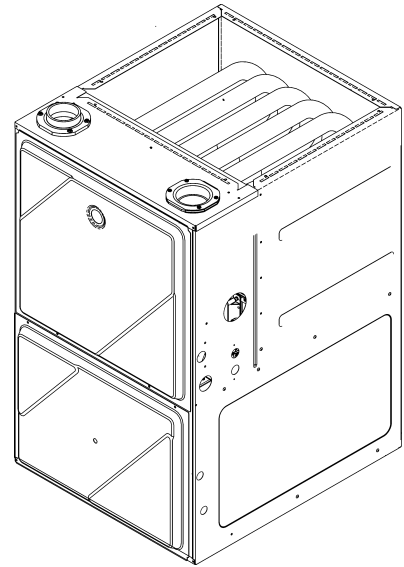


AMEC 96% Multi-Speed ECM Up Flow Furnace

AMEC960302BNAC
AMEC960303ANAA
AMEC960303ANAB
AMEC960402BNAC
AMEC960403ANAA
AMEC960403ANAB
AMEC960603ANAA
AMEC960603ANAB
AMEC960603BNAC
AMEC960603BNBB
AMEC960803BNAC
AMEC960803BNAD
AMEC960804CNAC
AMEC960804CNAD
AMEC961004CNAC
AMEC961004CNAD
AMEC961005CNAC
AMEC961005CNAD
AMEC961205DNAC
AMEC961205DNAD



Amana® is a registered trademark of Maytag Corporation or its related companies and is used under license. All rights reserved.

This manual is to be used by qualified technicians only.

This manual replaces RP-A2309A

© 2017 , 2020 Goodman Company, L.P. ♦ 5151 San Felipe St, Suite 500 ♦ Houston, TX 77056

Important Information

Index

Functional Parts List	3
Illustration and Parts	4 - 11

Views shown are for parts illustrations only, not servicing procedures

Text Codes:

AR - As Required

NA - Not Available

NS - Not Shown

00000000 - See Note

QTY - Quantity Example (QTY 3) (If Quantity not shown, Quantity = 1)

M - Model Example (M1) (If M Code not shown, then part is used on all Models)

Expanded Model Nomenclature:

Example M1 - Model#1 M2 - Model#2 M3 - Model#3

Goodman Company, L.P. is not responsible for personal injury or property damage resulting from improper service. Review all service information before beginning repairs.

Warranty service must be performed by an authorized technician, using authorized factory parts. If service is required after the warranty expires, Goodman Company, L.P. also recommends contacting an authorized technician and using authorized factory parts.

Goodman Company, L.P. reserves the right to discontinue, or change at any time, specifications or designs without notice or without incurring obligations.

For assistance within the U.S.A. contact:

Homeowner Support
Goodman Company, L.P.
19001 Kermier Road
Waller, Texas 77484
877-254-4729-Telephone
713-863-2382-Facsimile

For assistance outside the U.S.A. contact:

International Division
Goodman Company, L.P.
19001 Kermier Road
Waller, Texas 77484
713-861-2500-Telephone
713-863-2382-Facsimile

Functional Parts

Part No:

Description:

Part No:	Description:	Part No:	Description:
20162904	*PRIMARY LIMIT-TEMPERATURE CONTROL (M1, M4, M9, M11, M12, M13, M14)	0171M00002	MOTOR-ID, BLOWER (M1, M4, M9, M10, M11, M12, M13, M14, M15, M16, M17, M18, M19, M20)
0257F00443	ASSY, HEAT EXCHANGER (M2, M3)	PCBBF139	PCB, IGNITION CONTROL
0257F00450	ASSY, HEAT EXCHANGER (M5, M6)	0130F00647	PRESSURE SWITCH (M2, M3, M5, M6)
0130F00038	AUX LIMIT - LT BLUE 120° (QTY 2)	0130F00429	PRESSURE SWITCH (M9, M10, M11, M12, M13, M14, M15, M16, M17, M18, M19, M20)
0163F00017	BECKETT BURNER (QTY 2)	0130F00646	PRESSURE SWITCH (M7, M8)
0271F00159	BLOWER SHELL & WHEEL ASSY (M9, M10, M11, M12)	0130F00645	PRESSURE SWITCH (M7, M8)
0271F00161	BLOWER SHELL & WHEEL ASSY (M13, M14, M15, M16, M17, M18)	0130F00644	PRESSURE SWITCH (M5, M6)
0271F00163	BLOWER SHELL & WHEEL ASSY (M19, M20)	0130F00643	PRESSURE SWITCH (M2, M3)
0130F00010	FLAME SENSOR	20162903	PRIMARY LIMIT - BLUE (M2, M3, M5, M6, M7, M8, M17, M18)
0151M00027	GAS VALVE	0130F00036	PRIMARY LIMIT - PINK 180° (M19, M20)
0257F00375	HEAT EXCHANGER ASSY (M9, M10)	20162906	PRIMARY LIMIT - WHITE (M10, M15, M16)
0257F00373	HEAT EXCHANGER ASSY (M4)	0130F00436	SWITCH, PRESSURE (M11, M12)
0257F00394	HEAT EXCHANGER ASSY (M15, M16)	0130F00433	SWITCH, PRESSURE (M4)
0257F00397	HEAT EXCHANGER ASSY (M17, M18)	0130F00443	SWITCH, PRESSURE (M13, M14, M17, M18)
0257F00415	HEAT EXCHANGER ASSY (M7, M8)	0130F00435	SWITCH, PRESSURE (M9, M10)
0257F00354	HEAT EXCHANGER ASSY. (M11, M12)	0130F00434	SWITCH, PRESSURE (M1, M15, M16)
0257F00292	HEAT EXCHANGER ASSY. (M19, M20)	0130F00485	SWITCH, PRESSURE (M1, M4)
0257F00290	HEAT EXCHANGER ASSY. (M13, M14)	0130F00445	SWITCH, PRESSURE (M19, M20)
0257F00388	HEAT EXCHANGER ASSY. (M1)	0130M00140	TRANSFORMER 120V TO 24V, 40VA
0171M00007	ID BLOWER, 2 Stg (M2, M3, M5, M6, M7, M8)	0150M00043	WHEEL, BLOWER (10 X 8) (M1, M4)
0130F00008	IGNITOR-SINI 17 SEC		
0130M00243	INTERLOCK SWITCH		
10123517	MANUAL RESET LIMIT - ROS (M7, M8)		
10123533	MANUAL RESET LIMIT - ROS (M1)		
10123534	MANUAL RESET LIMIT - ROS (M15, M16, M17, M18)		
10123538	MANUAL RESET LIMIT - ROS (M2, M3, M5, M6)		
10123539	MANUAL RESET LIMIT - ROS (M4, M9, M10, M13, M14)		
10123527	MANUAL RESET LIMIT - ROS (M19, M20)		
0130F00123	MANUAL RESET LIMIT - ROS (M11, M12)		
0131F00180	MOTOR PROGRAMMED (M16)		
0131F00176	MOTOR PROGRAMMED (M8)		
0131F00185	MOTOR PROGRAMMED (M12)		
0131F00175	MOTOR PROGRAMMED (M3)		
0131F00181	MOTOR PROGRAMMED (M20)		
0131F00179	MOTOR PROGRAMMED (M14)		
0131F00177	MOTOR PROGRAMMED (M6)		
0131F00178	MOTOR PROGRAMMED (M10)		
0131F00182	MOTOR PROGRAMMED (M18)		
0131F00050	MOTOR, BLOWER (M2)		
0131F00032	MOTOR, BLOWER (M1)		
0131F00051	MOTOR, BLOWER (M7)		
0131F00037	MOTOR, BLOWER (M19)		
0131F00036	MOTOR, BLOWER (M15)		
0131F00035	MOTOR, BLOWER (M11)		
0131F00034	MOTOR, BLOWER (M9)		
0131F00033	MOTOR, BLOWER (M4)		
0131F00052	MOTOR, BLOWER (M5)		
0131F00040	MOTOR,BLOWER (M17)		
0131F00039	MOTOR,BLOWER (M13)		

SPECIAL PARTS

0161M00032 NAMEPLATE, AMANA

Expanded Model Nomenclature

M1 - AMEC960302BNAC
M2 - AMEC960303ANAA
M3 - AMEC960303ANAB
M4 - AMEC960402BNAC
M5 - AMEC960403ANAA
M6 - AMEC960403ANAB
M7 - AMEC960603ANAA
M8 - AMEC960603ANAB
M9 - AMEC960603BNAC
M10 - AMEC960603BNBB
M11 - AMEC960803BNAC
M12 - AMEC960803BNAD
M13 - AMEC960804CNAC
M14 - AMEC960804CNAD
M15 - AMEC961004CNAC
M16 - AMEC961004CNAD
M17 - AMEC961005CNAC
M18 - AMEC961005CNAD
M19 - AMEC961205DNAC
M20 - AMEC961205DNAD

Cabinet Assembly

IMAGE 1

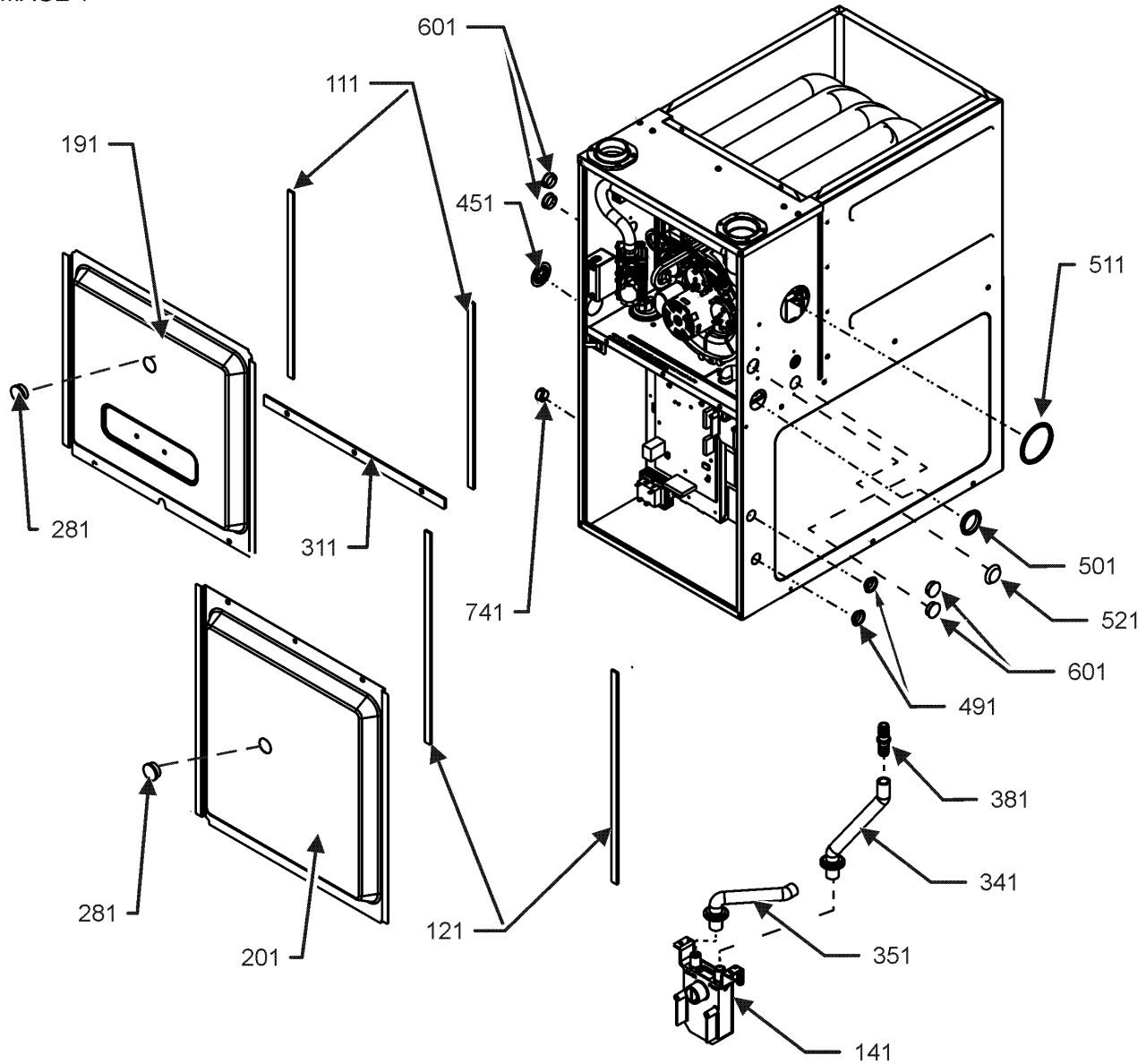
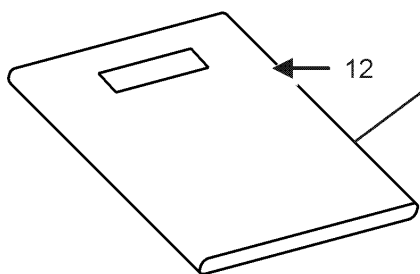
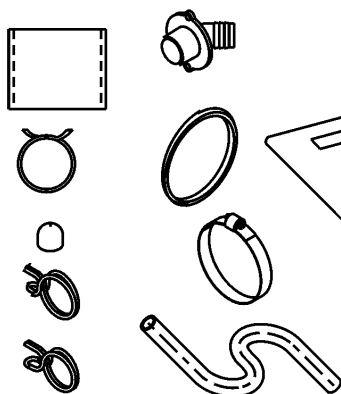


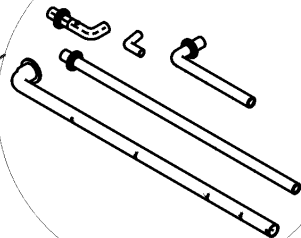
IMAGE 2



CONTENTS:



CONTENTS:

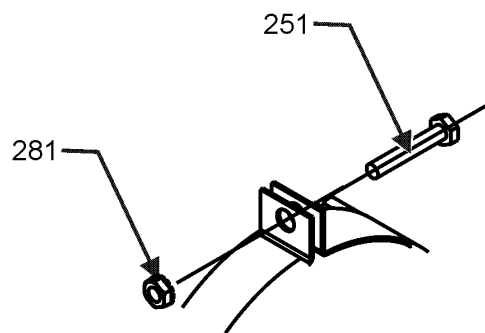
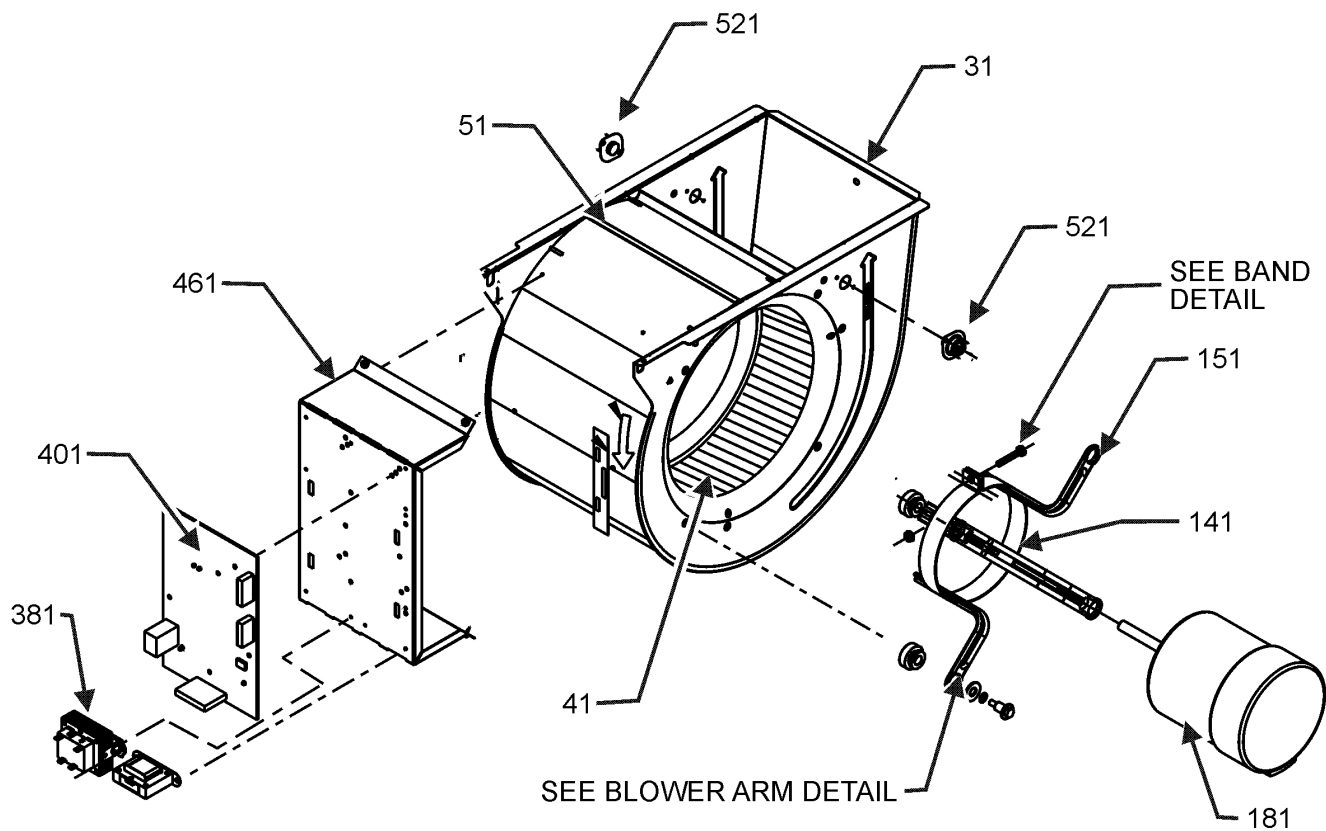


Cabinet Assembly

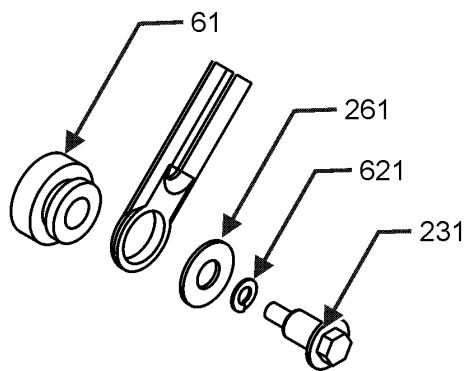
Ref. Part No:	Part No:	Description:	Ref. Part No:	Part No:	Description:
Image 1:			Expanded Model Nomenclature		
111	0154F00024	GASKET (QTY 2)	M1	-	AMEC960302BNAC
121	0154F00025	GASKET (QTY 2)	M2	-	AMEC960303ANAA
141	0161F00046	DRAIN TRAP	M3	-	AMEC960303ANAB
191	0121F00338LG	DOOR ACCESS 21" PNT (M13, M14, M15, M16, M17, M18)	M4	-	AMEC960402BNAC
191	0121F00337LG	DOOR, ACCESS 17.5" PNT (M1, M4, M9, M10, M11, M12)	M5	-	AMEC960403ANAA
191	0121F00339LG	DOOR, ACCESS 24.5" PNT (M19, M20)	M6	-	AMEC960403ANAB
191	0121F00673LG	PNT, DOOR, ACCESS 14" (M2, M3, M5, M6, M7, M8)	M7	-	AMEC960603ANAA
201	0121F00340LG	DOOR, BLOWER 17.5" PNT (M1, M4, M9, M10, M11, M12)	M8	-	AMEC960603ANAB
201	0121F00341LG	DOOR, BLOWER 21" PNT (M13, M14, M15, M16, M17, M18)	M9	-	AMEC960603BNAC
201	0121F00342LG	DOOR, BLOWER 24.5" PNT (M19, M20)	M10	-	AMEC960603BNBB
201	0121F00671LG	PNT, DOOR, BLOWER 14" (M2, M3, M5, M6, M7, M8)	M11	-	AMEC960803BNAC
281	B1392139	VIEW PORT BUSHING-BLOWER DOOR (M1, M4, M9, M10, M11, M12, M13, M14, M15, M16, M17, M18, M19, M20)	M12	-	AMEC960803BNAD
311	0154F00020	GASKET, DECK (M1, M4, M9, M10, M11, M12)	M13	-	AMEC960804CNAC
311	0154F00021	GASKET, DECK (M13, M14, M15, M16, M17, M18)	M14	-	AMEC960804CNAD
311	0154F00022	GASKET, DECK (M19, M20)	M15	-	AMEC961004CNAC
311	0154F00063	GASKET, DECK (M2, M3, M5, M6, M7, M8)	M16	-	AMEC961004CNAD
341	0164F00017	HOSE-ELBOW/TRAP	M17	-	AMEC961005CNAC
351	0164F00020	DRAIN HOSE (M2, M3, M5, M6, M7, M8)	M18	-	AMEC961005CNAD
351	0164F00006	HOSE, COVER/TRAP (M19, M20)	M19	-	AMEC961205DNAC
351	0164F00024	HOSE, COVER/TRAP (M1, M4, M9, M10, M11, M12, M13, M14, M15, M16, M17, M18)	M20	-	AMEC961205DNAD
381	0161F00047	COUPLING, HOSE BARBED			
451	M0501301	PIPE GROMMET			
491	M0570808	BUTTON PLUG (QTY 3)			
501	M0570806	BUTTON PLUG			
511	M0570807	BUTTON PLUG			
521	0161M00027	PLUG, HOLE			
601	B1392021	PLASTIC PLUG, 1" (2713-BLK) (QTY 4)			
741	B1392104	UNIVERSAL BUSHING UB 875			
NS	M0310345	BUTTON PLUG (QTY 2)			
NS	0163M00319	HEX NUT-INSERT (QTY 3)			
NS	0161M00032	NAMEPLATE, AMANA			
NS	M0273904	RETAINER-SCREW (QTY 3)			
NS	M0209730	SCREW-DECORATIVE (QTY 3)			
Image 2:					
12	0270F05248	DRAIN KIT ASSY			
22	0270F05248	DRAIN KIT ASSY			

Blower Assembly

BLOWER ASSEMBLY



BAND DETAIL



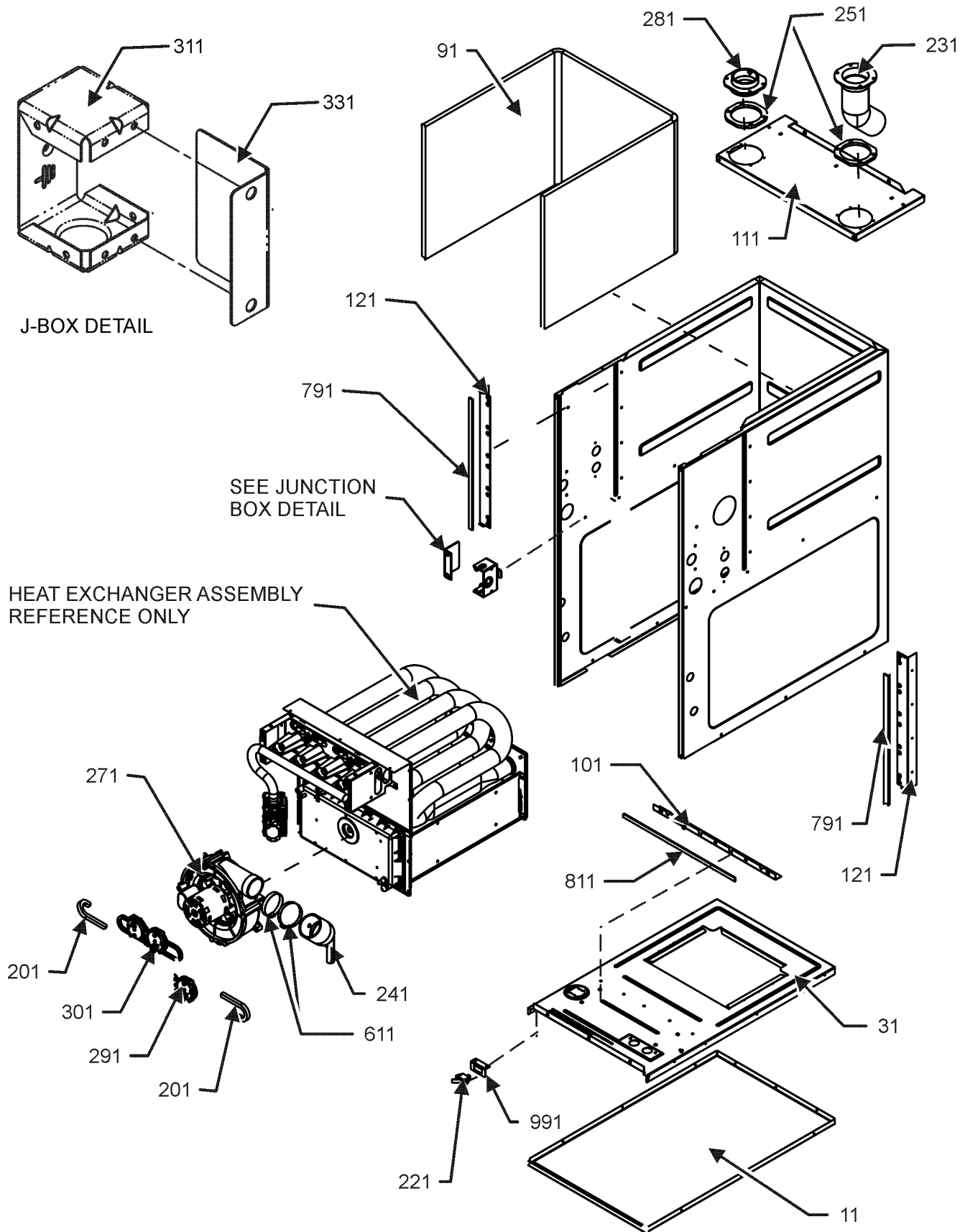
BLOWER ARM DETAIL

BLOWER ASSEMBLY MAY DIFFER FROM WHAT IS SHOWN

Blower Assembly

Ref. Part No:	Ref. Part No:	Description:	Description:																						
Image 1:		Image 1:																							
31	0271F00181	BLOWER HSG ASSY (M1, M4)	281	B1393800	LOCKNUT, NYLON, INSERT 1/4, 20 (M1, M2, M3, M4, M5, M6, M7, M8, M9, M10, M11, M12, M14, M16, M18, M20)																				
31	0271F00159	BLOWER SHELL & WHEEL ASSY (M9, M10, M11, M12)	381	0130M00140	TRANSFORMER 120V TO 24V, 40VA																				
31	0271F00161	BLOWER SHELL & WHEEL ASSY (M13, M14, M15, M16, M17, M18)	401	PCBBF139	PCB, IGNITION CONTROL																				
31	0271F00163	BLOWER SHELL & WHEEL ASSY (M19, M20)	461	0121F00464	MOUNTING PLATE-CONTROLS																				
31	0271F00322	BLOWER SHELL & WHEEL ASSY (M2, M3, M5, M6, M7, M8)	521	0130F00038	AUX LIMIT - LT BLUE 120° (QTY 2)																				
41	0150M00043	WHEEL, BLOWER (10 X 8) (M1, M4)	621	B1392820	WASHER, SPLIT LOCK 1/4 BZ (M13, M15, M16, M17, M18, M19, M20)																				
51	764740	BLOWER BLOCK-OFF 10 X 8 (M1, M4)	NS	B1392021	PLASTIC PLUG, 1" (2713-BLK) (QTY 4)																				
61	A4002702	BLOWER MOTOR GROMMET (M13, M15, M17, M19)	NS	0259F00024	WIRE HARNESS-BLOWER																				
141	10441601	BAND-MTR MOUNT (M13, M15, M17, M19)	Expanded Model Nomenclature																						
141	0121M00038	MOUNT BAND, MOTOR (M1, M2, M4, M5, M7, M9, M11)	<table border="1"> <tr><td>M1 - A MEC960302BNAC</td></tr> <tr><td>M2 - A MEC960303ANAA</td></tr> <tr><td>M3 - A MEC960303ANAB</td></tr> <tr><td>M4 - A MEC960402BNAC</td></tr> <tr><td>M5 - A MEC960403ANAA</td></tr> <tr><td>M6 - A MEC960403ANAB</td></tr> <tr><td>M7 - A MEC960603ANAA</td></tr> <tr><td>M8 - A MEC960603ANAB</td></tr> <tr><td>M9 - A MEC960603BNAC</td></tr> <tr><td>M10 - A MEC960603BNBB</td></tr> <tr><td>M11 - A MEC960803BNAC</td></tr> <tr><td>M12 - A MEC960803BNAD</td></tr> <tr><td>M13 - A MEC960804CNAC</td></tr> <tr><td>M14 - A MEC960804CNAD</td></tr> <tr><td>M15 - A MEC961004CNAC</td></tr> <tr><td>M16 - A MEC961004CNAD</td></tr> <tr><td>M17 - A MEC961005CNAC</td></tr> <tr><td>M18 - A MEC961005CNAD</td></tr> <tr><td>M19 - A MEC961205DNAC</td></tr> <tr><td>M20 - A MEC961205DNAD</td></tr> </table>			M1 - A MEC960302BNAC	M2 - A MEC960303ANAA	M3 - A MEC960303ANAB	M4 - A MEC960402BNAC	M5 - A MEC960403ANAA	M6 - A MEC960403ANAB	M7 - A MEC960603ANAA	M8 - A MEC960603ANAB	M9 - A MEC960603BNAC	M10 - A MEC960603BNBB	M11 - A MEC960803BNAC	M12 - A MEC960803BNAD	M13 - A MEC960804CNAC	M14 - A MEC960804CNAD	M15 - A MEC961004CNAC	M16 - A MEC961004CNAD	M17 - A MEC961005CNAC	M18 - A MEC961005CNAD	M19 - A MEC961205DNAC	M20 - A MEC961205DNAD
M1 - A MEC960302BNAC																									
M2 - A MEC960303ANAA																									
M3 - A MEC960303ANAB																									
M4 - A MEC960402BNAC																									
M5 - A MEC960403ANAA																									
M6 - A MEC960403ANAB																									
M7 - A MEC960603ANAA																									
M8 - A MEC960603ANAB																									
M9 - A MEC960603BNAC																									
M10 - A MEC960603BNBB																									
M11 - A MEC960803BNAC																									
M12 - A MEC960803BNAD																									
M13 - A MEC960804CNAC																									
M14 - A MEC960804CNAD																									
M15 - A MEC961004CNAC																									
M16 - A MEC961004CNAD																									
M17 - A MEC961005CNAC																									
M18 - A MEC961005CNAD																									
M19 - A MEC961205DNAC																									
M20 - A MEC961205DNAD																									
141	0121M00039	MOUNT BAND, MOTOR (HEAVY DUTY) (M3, M6, M8, M10, M12, M14, M16, M18, M20)																							
151	0163M00458	ARM MOTOR MOUNT (M13, M15, M17, M19)																							
151	B1376857	MOTOR MOUNT ARM (M1, M2, M4, M5, M7, M9, M11)																							
151	B1376863	MOUNT ARM, MOTOR (HEAVY DUTY) (M3, M6, M8, M10, M12, M14, M16, M18, M20)																							
181	0131F00175	MOTOR PROGRAMMED (M3)																							
181	0131F00176	MOTOR PROGRAMMED (M8)																							
181	0131F00177	MOTOR PROGRAMMED (M6)																							
181	0131F00178	MOTOR PROGRAMMED (M10)																							
181	0131F00179	MOTOR PROGRAMMED (M14)																							
181	0131F00180	MOTOR PROGRAMMED (M16)																							
181	0131F00181	MOTOR PROGRAMMED (M20)																							
181	0131F00182	MOTOR PROGRAMMED (M18)																							
181	0131F00185	MOTOR PROGRAMMED (M12)																							
181	0131F00032	MOTOR, BLOWER (M1)																							
181	0131F00033	MOTOR, BLOWER (M4)																							
181	0131F00034	MOTOR, BLOWER (M9)																							
181	0131F00035	MOTOR, BLOWER (M11)																							
181	0131F00036	MOTOR, BLOWER (M15)																							
181	0131F00037	MOTOR, BLOWER (M19)																							
181	0131F00050	MOTOR, BLOWER (M2)																							
181	0131F00051	MOTOR, BLOWER (M7)																							
181	0131F00052	MOTOR, BLOWER (M5)																							
181	0131F00039	MOTOR, BLOWER (M13)																							
181	0131F00040	MOTOR, BLOWER (M17)																							
231	0163F00028	SCREW (M13, M15, M17, M19)																							
231	M0250565	TC SCREW 1.25" (M1, M2, M3, M4, M5, M6, M7, M8, M9, M10, M11, M12, M14, M16, M18, M20)																							
251	0163M00320	HEX HEAD ALL THREAD TAP BOLT (M3, M6, M8, M10, M12, M14, M16, M18, M20)																							
251	M0267144	MACHINE SCREW (M13, M15, M17, M19)																							
251	B1393323	MACHINE SCREW HWH 1/4-20 X 1-1/2 BZ (M1, M2, M4, M5, M7, M9, M11)																							
261	B1392918	WASHER, FLAT 1/4 ID X 1 OD (M1, M2, M3, M4, M5, M6, M7, M8, M9, M10, M11, M12, M14, M16, M18, M20)																							
261	M0274008	WASHER-FLAT (M13, M15, M17, M19)																							
281	M0282015	KEPS NUT (M13, M15, M16, M17, M18, M19, M20)																							

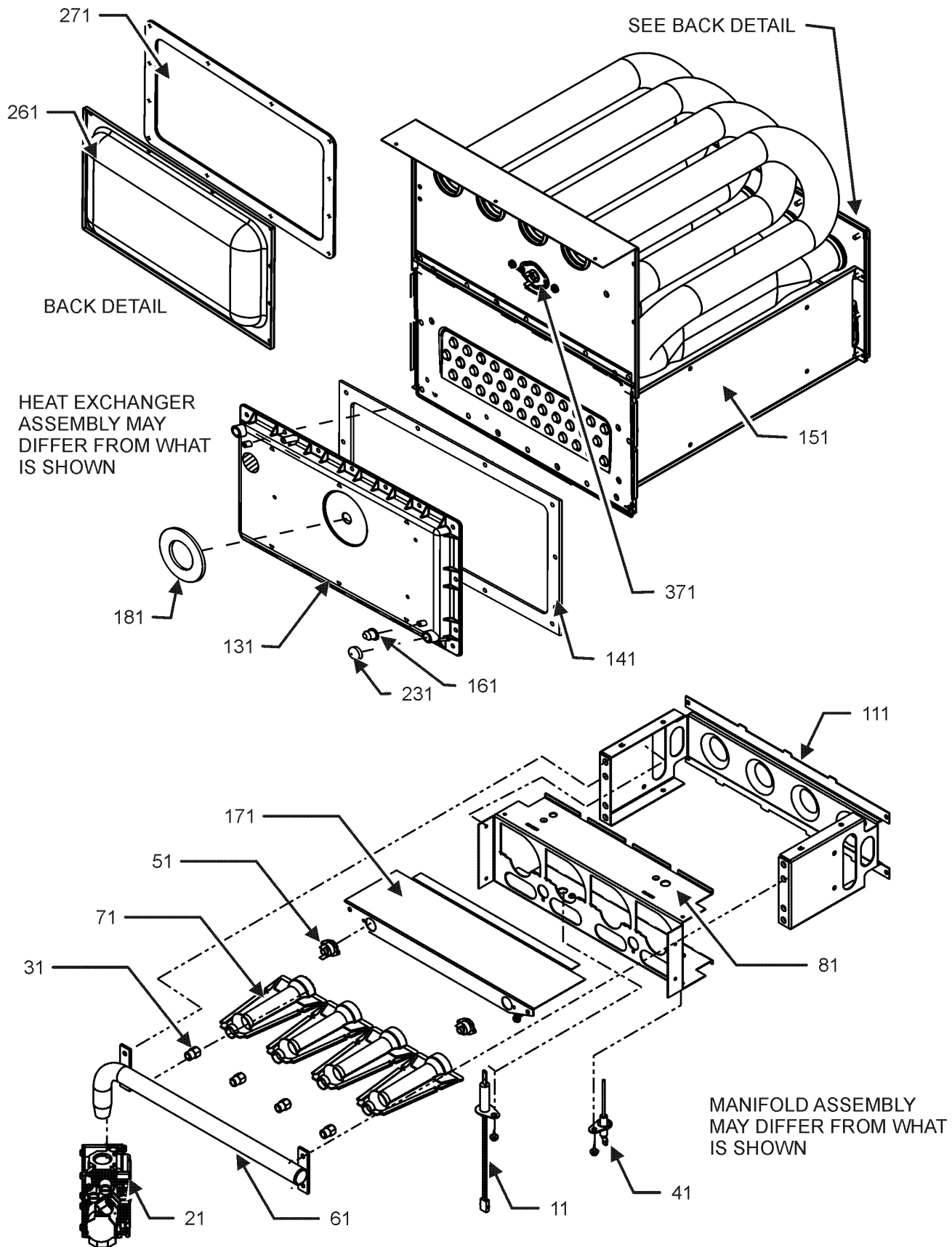
Chassis Assembly



Chassis Assembly

Ref. Part No:	Ref. Part No:	Description:	Description:	
Image 1:		Image 1:		
11	0121F00530DG	BASEPAN, 17.5 (M1, M4, M9, M10, M11, M12)	791 0154F00015 GASKET (QTY 2)	
11	0121F00531DG	BASEPAN, 21 PNT (M13, M14, M15, M16, M17, M18)	811 0154F00014 GASKET (M1, M4, M9, M10, M11, M12)	
11	0121F00532DG	BASEPAN, 24.5 PNT (M19, M20)	811 0154F00016 GASKET (M13, M14, M15, M16, M17, M18)	
11	0121F00664DG	BASEPAN, 14 PNT (M2, M3, M5, M6, M7, M8)	811 0154F00064 GASKET (M2, M3, M5, M6, M7, M8)	
31	0121F00663	DECK, BLOWER 14" (M2, M3, M5, M6, M7, M8)	811 20194607 GASKET (M19, M20)	
31	0121F00533	DECK-BLOWER 17.5" (M1, M4, M9, M10, M11, M12)	991 0121F00389 BRACKET, DOOR SWITCH	
31	0121F00534	DECK-BLOWER 21" (M13, M14, M15, M16, M17, M18)	NS 0159F00088 HARNESS, WIRING	
31	0121F00535	DECK-BLOWER 24.5" (M19, M20)	NS 0164M00107 HOSE PRESSURE SWITCH (QTY 2)	
91	0160F00025	INSULATION, HT EXCHANGER (M2, M3, M5, M6, M7, M8)	NS M0326804 PLUG-TUBE	
91	0160F00015	INSULATION, HT EXCHANGER 17.5" (M1, M4, M9, M10, M11, M12)	NS 0159F00076 WIRING HARNESS	
91	0160F00016	INSULATION, HT EXCHANGER 21" (M13, M14, M15, M16, M17, M18)	Expanded Model Nomenclature	
91	0160F00017	INSULATION, HT EXCHANGER 24.5" (M19, M20)	<div style="border: 1px solid black; padding: 5px;"> M1 - AMEC960302BNAC M2 - AMEC960303ANAA M3 - AMEC960303ANAB M4 - AMEC960402BNAC M5 - AMEC960403ANAA M6 - AMEC960403ANAB M7 - AMEC960603ANAA M8 - AMEC960603ANAB M9 - AMEC960603BNAC M10 - AMEC960603BNBB M11 - AMEC960803BNAC M12 - AMEC960803BNAD M13 - AMEC960804CNAC M14 - AMEC960804CNAD M15 - AMEC961004CNAC M16 - AMEC961004CNAD M17 - AMEC961005CNAC M18 - AMEC961005CNAD M19 - AMEC961205DNAC M20 - AMEC961205DNAD </div>	
101	0121F00314	ANGLE, DECK (M1, M4, M9, M10, M11, M12)		
101	0121F00315	ANGLE, DECK (M13, M14, M15, M16, M17, M18)		
101	0121F00316	ANGLE, DECK (M19, M20)		
101	0121F00661	ANGLE, DECK (M2, M3, M5, M6, M7, M8)		
111	0121F00279DG	PAINTED TOP, FURNACE 17.5 (M1, M4, M9, M10, M11, M12)		
111	0121F00280DG	PAINTED TOP, FURNACE 21 (M13, M14, M15, M16, M17, M18)		
111	0121F00281DG	PAINTED TOP, FURNACE 24.5 (M19, M20)		
111	0121F00662DG	PNT, FURNACE TOP 14" (M2, M3, M5, M6, M7, M8)		
121	0121F00313	ANGLE, SIDE (QTY 2)		
201	0164M00007	HOSE-PRESSURE SW (M2, M3, M5, M6, M7, M8)		
201	0164M00019	HOSE-PRESSURE SW 6" (M1, M4, M9, M10, M11, M12, M13, M14, M15, M16, M17, M18, M19, M20)		
221	0130M00243	INTERLOCK SWITCH		
231	0164F00002	FLUE PIPE W/BEND		
241	0164F00001	ELBOW-FLUE, UPFLOW		
251	0154F00041	FRESH AIR GASKET (QTY 2)		
271	0171M00007	ID BLOWER, 2 Stg (M2, M3, M5, M6, M7, M8)		
271	0171M00002	MOTOR-ID, BLOWER (M1, M4, M9, M10, M11, M12, M13, M14, M15, M16, M17, M18, M19, M20)		
281	0161F00037	COUPLING		
291	0130F00429	PRESSURE SWITCH (M9, M10, M11, M12, M13, M14, M15, M16, M17, M18, M19, M20)		
291	0130F00646	PRESSURE SWITCH (M7, M8)		
291	0130F00647	PRESSURE SWITCH (M2, M3, M5, M6)		
291	0130F00485	SWITCH, PRESSURE (M1, M4)		
301	0130F00643	PRESSURE SWITCH (M2, M3)		
301	0130F00644	PRESSURE SWITCH (M5, M6)		
301	0130F00645	PRESSURE SWITCH (M7, M8)		
301	0130F00433	SWITCH, PRESSURE (M4)		
301	0130F00434	SWITCH, PRESSURE (M1, M15, M16)		
301	0130F00435	SWITCH, PRESSURE (M9, M10)		
301	0130F00436	SWITCH, PRESSURE (M11, M12)		
301	0130F00443	SWITCH, PRESSURE (M13, M14, M17, M18)		
301	0130F00445	SWITCH, PRESSURE (M19, M20)		
311	0161F00042	JUNCTION BOX PLA		
331	0161F00043	JUNCTION BOX LID		
611	0163M00460	CLAMP-HOSE (QTY 2)		

Heat Exchanger and Manifold Assembly



Heat Exchanger and Manifold Assembly

Ref. Part No:	Ref. Part No:	Description:	Description:
Image 1:		Image 1:	
11	0130F00008	IGNITOR-SINI 17 SEC	151 0257F00375 HEAT EXCHANGER ASSY (M9, M10)
21	0151M00027	GAS VALVE	151 0257F00394 HEAT EXCHANGER ASSY (M15, M16)
31	0163F00019	ORIFICE (M1, M2, M3)	151 0257F00397 HEAT EXCHANGER ASSY (M17, M18)
31	10716005	ORIFICE (M4, M5, M6, M7, M8, M9, M10, M11, M12, M13, M14, M15, M16, M17, M18, M19, M20)	151 0257F00415 HEAT EXCHANGER ASSY (M7, M8)
41	0130F00010	FLAME SENSOR	151 0257F00290 HEAT EXCHANGER ASSY. (M13, M14)
51	0130F00123	MANUAL RESET LIMIT - ROS (M11, M12)	151 0257F00292 HEAT EXCHANGER ASSY. (M19, M20)
51	10123517	MANUAL RESET LIMIT - ROS (M7, M8)	151 0257F00354 HEAT EXCHANGER ASSY. (M11, M12)
51	10123527	MANUAL RESET LIMIT - ROS (M19, M20)	151 0257F00388 HEAT EXCHANGER ASSY. (M1)
51	10123533	MANUAL RESET LIMIT - ROS (M1)	161 M0326804 TUBE PLUG
51	10123534	MANUAL RESET LIMIT - ROS (M15, M16, M17, M18)	171 0121F00539 SHEILD, BURNER (M1, M4)
51	10123538	MANUAL RESET LIMIT - ROS (M2, M3, M5, M6)	171 0121F00540 SHEILD, BURNER (M9, M10)
51	10123539	MANUAL RESET LIMIT - ROS (M4, M9, M10, M13, M14)	171 0121F00541 SHEILD, BURNER (M11, M12, M13, M14)
61	0163F00007	MANIFOLD (M1, M2, M3, M4, M5, M6)	171 0121F00542 SHEILD, BURNER (M15, M16, M17, M18)
61	0163F00008	MANIFOLD (M9, M10)	171 0121F00543 SHEILD, BURNER (M19, M20)
61	0163F00009	MANIFOLD (M13, M14)	181 0154F00043 GASKET ID BLOWER
61	0163F00010	MANIFOLD (M15, M16, M17, M18)	231 A1781105 CAP-VINYL .500
61	0163F00011	MANIFOLD (M19, M20)	261 0121F00317 COVER, REAR (M1, M4, M9, M10, M11, M12)
61	0163F00014	MANIFOLD (M11, M12)	261 0121F00318 COVER, REAR (M13, M14, M15, M16, M17, M18)
61	0163F00037	MANIFOLD, 3B (M7, M8)	261 0121F00319 COVER, REAR (M19, M20)
71	0163F00017	BECKETT BURNER (QTY 2)	261 0121F00670 COVER, REAR (M2, M3, M5, M6, M7, M8)
81	0121F00456	BRACKET-BURNER 2 (M1, M2, M3, M4, M5, M6)	271 0154F00058 GASKET REAR CVR (M2, M3, M5, M6, M7, M8)
81	0121F00455	BRACKET-BURNER 3 (M7, M8, M9, M10)	271 0154F00037 GASKET, REAR CVR (M1, M4, M9, M10, M11, M12)
81	0121F00454	BRACKET-BURNER 4 (M11, M12, M13, M14)	271 0154F00038 GASKET, REAR CVR (M13, M14, M15, M16, M17, M18)
81	0121F00453	BRACKET-BURNER 5 (M15, M16, M17, M18)	271 0154F00039 GASKET, REAR CVR (M19, M20)
81	0121F00451	BRACKET-BURNER 6 (M19, M20)	371 20162904 *PRIMARY LIMIT-TEMPERATURE CONTROL (M1, M4, M9, M11, M12, M13, M14)
111	0121F00469	ORIFICE BRACKET-BURNER 2 (M1, M2, M3, M4, M5, M6)	371 20162903 PRIMARY LIMIT - BLUE (M2, M3, M5, M6, M7, M8, M17, M18)
111	0121F00468	ORIFICE BRACKET-BURNER 3 (M7, M8, M9, M10)	371 0130F00036 PRIMARY LIMIT - PINK 180° (M19, M20)
111	0121F00467	ORIFICE BRACKET-BURNER 4 (M11, M12, M13, M14)	371 20162906 PRIMARY LIMIT - WHITE (M10, M15, M16)
111	0121F00466	ORIFICE BRACKET-BURNER 5 (M15, M16, M17, M18)	NS 0121F00582 INSULATION, RETAINER (M2, M3, M5, M6, M7, M8)
111	0121F00465	ORIFICE BRACKET-BURNER 6 (M19, M20)	NS 0121F00583 INSULATION, RETAINER (M1, M4, M9, M10, M11, M12)
131	0161F00072	COVER FRONT (M17, M18)	NS 0121F00584 INSULATION, RETAINER (M13, M14, M15, M16, M17, M18)
131	0161F00015	COVER, FRONT (M4)	NS 0121F00585 INSULATION, RETAINER (M19, M20)
131	0161F00024	COVER, FRONT (M11, M12)	NS 0121F00439 PRIMARY LIMIT-HEAT SHIELD
131	0161F00030	COVER, FRONT (M13, M14)	NS 0121F00355 SHIELD, COIL (QTY 2)
131	0161F00032	COVER, FRONT (M1)	
131	0161F00054	COVER, FRONT (M9, M10)	
131	0161F00063	COVER, FRONT (M19, M20)	
131	0161F00081	COVER, FRONT (M2, M3)	
131	0161F00082	COVER, FRONT (M5, M6)	
131	0161F00083	COVER, FRONT (M7, M8)	
131	0161F00065	COVER,FRONT (M15, M16)	
141	0154F00026	GASKET FRONT COVER (M1, M4, M9, M10, M11, M12)	
141	0154F00030	GASKET FRONT COVER (M13, M14, M15, M16, M17, M18)	
141	0154F00034	GASKET FRONT COVER (M19, M20)	
141	0154F00062	GASKET FRONT COVER (M2, M3, M5, M6, M7, M8)	
151	0257F00443	ASSY, HEAT EXCHANGER (M2, M3)	
151	0257F00450	ASSY. HEAT EXCHANGER (M5, M6)	
151	0257F00373	HEAT EXCHANGER ASSY (M4)	

Heat Exchanger and Manifold Assembly

Ref. Part

Ref. Part

No: No:

Description:

No: No:

Description:

Expanded Model Nomenclature

M1 - AMEC960302BNAC
M2 - AMEC960303ANAA
M3 - AMEC960303ANAB
M4 - AMEC960402BNAC
M5 - AMEC960403ANAA
M6 - AMEC960403ANAB
M7 - AMEC960603ANAA
M8 - AMEC960603ANAB
M9 - AMEC960603BNAC
M10 - AMEC960603BNBB
M11 - AMEC960803BNAC
M12 - AMEC960803BNAD
M13 - AMEC960804CNAC
M14 - AMEC960804CNAD
M15 - AMEC961004CNAC
M16 - AMEC961004CNAD
M17 - AMEC961005CNAC
M18 - AMEC961005CNAD
M19 - AMEC961205DNAC
M20 - AMEC961205DNAD