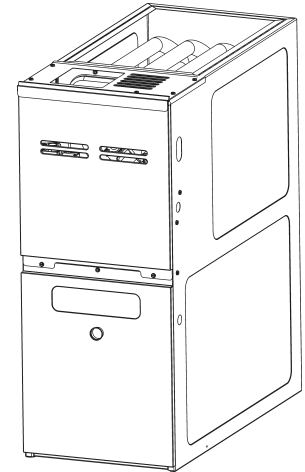


AMEC 80% Single Stage Upflow Furnace

AMEC800403ANAA
AMEC800403ANAB
AMEC800603BNAA
AMEC800603BNAB
AMEC800603BXAA
AMEC800603BXAB
AMEC800803BNAA
AMEC800803BNAB
AMEC800803BXAA
AMEC800803BXAB
AMEC800804BNAA
AMEC800804BNAB
AMEC800804BXAA
AMEC800804BXAB
AMEC800804CNAA
AMEC800804CNAB
AMEC800804CXAA
AMEC800804CXAB
AMEC800805CNAA
AMEC800805CNAB
AMEC800805CXAA
AMEC800805CXAB
AMEC800805DXAA
AMEC800805DXAB
AMEC801005CNAA
AMEC801005CNAB
AMEC801005CXAA
AMEC801005CXAB



Amana® is a registered trademark of Maytag Corporation or its related companies and is used under license. All rights reserved.

This manual is to be used by qualified technicians only.

This manual replaces RP-A2328

Important Information

Index

Functional Parts List	3
Illustration and Parts	4 - 9

Views shown are for parts illustrations only, not servicing procedures

Text Codes:

AR - As Required

NA - Not Available

NS - Not Shown

00000000 - See Note

QTY - Quantity Example (QTY 3) (If Quantity not shown, Quantity = 1)

M - Model Example (M1) (If M Code not shown, then part is used on all Models)

Expanded Model Nomenclature:

Example M1 - Model#1 M2 - Model#2 M3 - Model#3

Goodman Company, L.P. is not responsible for personal injury or property damage resulting from improper service. Review all service information before beginning repairs.

Warranty service must be performed by an authorized technician, using authorized factory parts. If service is required after the warranty expires, Goodman Company, L.P. also recommends contacting an authorized technician and using authorized factory parts.

Goodman Company, L.P. reserves the right to discontinue, or change at any time, specifications or designs without notice or without incurring obligations.

For assistance within the U.S.A. contact:

Homeowner Support
Goodman Company, L.P.
19001 Kermier Road
Waller, Texas 77484
877-254-4729-Telephone
713-863-2382-Facsimile

For assistance outside the U.S.A. contact:

International Division
Goodman Company, L.P.
19001 Kermier Road
Waller, Texas 77484
713-861-2500-Telephone
713-863-2382-Facsimile

Functional Parts

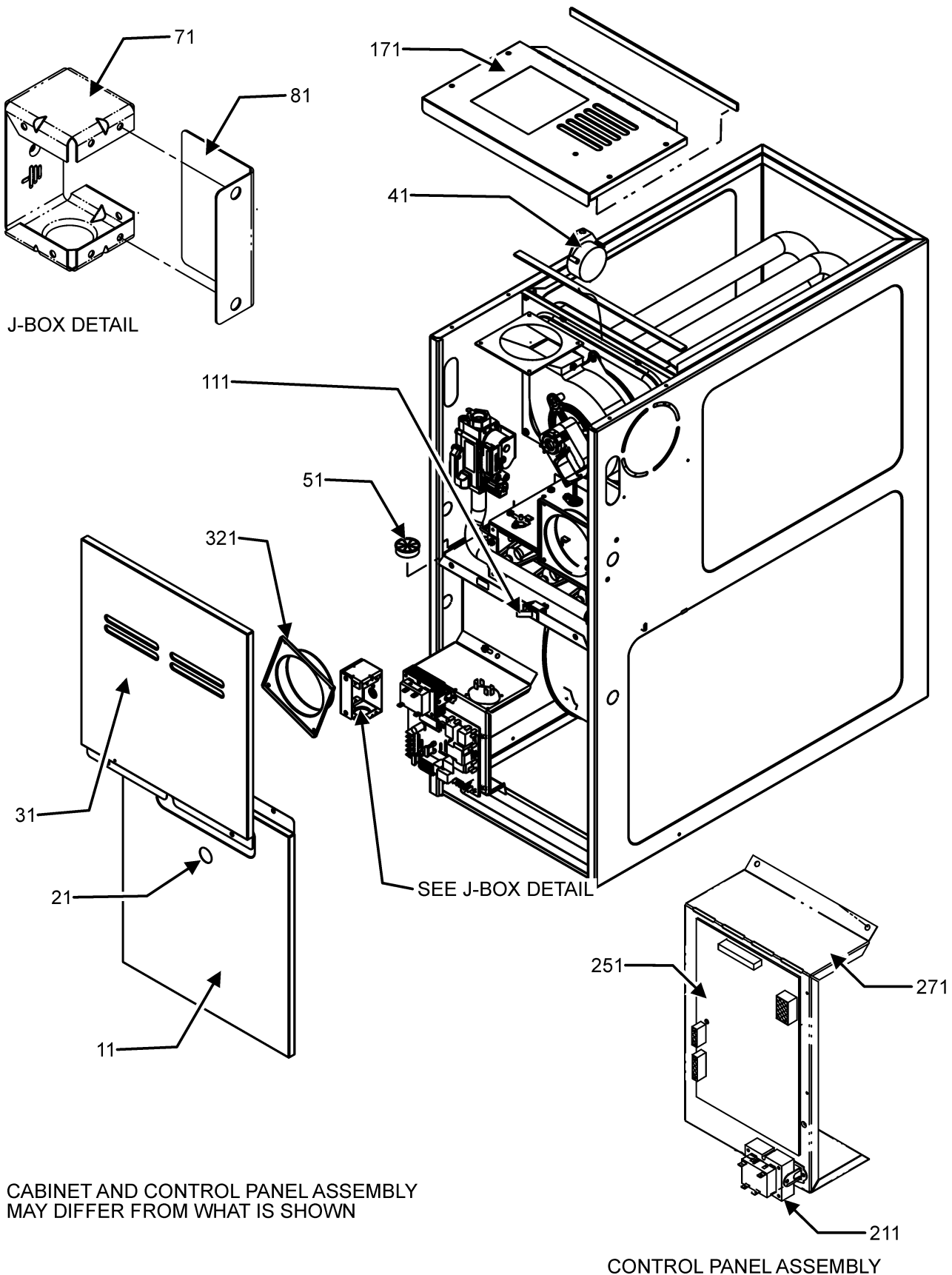
Part No: **Description:**

Part No:	Description:	Expanded Model Nomenclature
20162904	*PRIMARY LIMIT-TEMPERATURE CONTROL (M7, M8, M9, M10, M11, M12, M13, M14, M15, M16, M17, M18, M23, M24) *Refer to service bulletin SF-054	M1 - AMEC800403ANAA M2 - AMEC800403ANAB
0130F00792	AIR PRESSURE SWITCH (M7, M8, M9, M10, M19, M20, M21, M22)	M3 - AMEC800603BNAA M4 - AMEC800603BNAB
0130F00794	AIR PRESSURE SWITCH (M15, M16, M17, M18)	M5 - AMEC800603BXAA M6 - AMEC800603BXAB
0130F00795	AIR PRESSURE SWITCH (M3, M4, M5, M6, M23, M24)	M7 - AMEC800803BNAA M8 - AMEC800803BNAB
0130F00791	AIR PRESSURE SWITCH (M1, M2, M11, M12, M13, M14, M25, M26, M27, M28)	M9 - AMEC800803BXAA M10 - AMEC800803BXAB
0130F00038	AUX LIMIT - LT BLUE 120°	M11 - AMEC800804BNAA M12 - AMEC800804BNAB
0130F00010	FLAME SENSOR	M13 - AMEC800804BXAA M14 - AMEC800804BXAB
0151M00027	GAS VALVE	M15 - AMEC800804CNAA M16 - AMEC800804CNAB
10690402	INTERLOCK SWITCH	M17 - AMEC800804CXAA M18 - AMEC800804CXAB
20162903	LIMIT (M3, M4, M5, M6)	M19 - AMEC800805CNAA M20 - AMEC800805CNAB
0130M00063	LIMIT, PRIMARY, 140, GOLD (M19, M20, M21, M22)	M21 - AMEC800805CXAA M22 - AMEC800805CXAB
20162906	LIMIT-WHITE (M1, M2)	M23 - AMEC800805DXAA M24 - AMEC800805DXAB
20162905	LIMIT-YELLOW (M25, M26, M27, M28)	M25 - AMEC801005CNAA M26 - AMEC801005CNAB
10123529	MANUAL RESET R.O.S. LIMIT (QTY 2)	M27 - AMEC801005CXAA M28 - AMEC801005CXAB
0131F00160	MOTOR PROGRAMMED (M3, M4, M5, M6)	
0131F00151	MOTOR PROGRAMMED (M19, M20, M21, M22)	
0131F00161	MOTOR PROGRAMMED (M11, M12, M13, M14)	
0131F00162	MOTOR PROGRAMMED (M7, M8, M9, M10)	
0131F00164	MOTOR PROGRAMMED (M15, M16, M17, M18)	
0131F00159	MOTOR PROGRAMMED (M23, M24)	
0131F00163	MOTOR PROGRAMMED (M1, M2)	
0131F00154	MOTOR PROGRAMMED (M25, M26, M27, M28)	
0131M00781P	MOTOR, VENT 2-STAGE	
PCBBF139	PCB IGNITION CONTROL	
0130F00008	SINI IGNITOR	
0130M00140	TRANSFORMER,(120V TO 24V,40VA,	
DY6.186.070	VENT MOTOR CAPACITOR	
0150M00042	WHEEL, BLOWER (10 X 10) (M15, M16, M17, M18, M19, M20, M21, M22, M25, M26, M27, M28)	
0150M00043	WHEEL, BLOWER (10 X 8) (M3, M4, M5, M6, M7, M8, M9, M10, M11, M12, M13, M14)	
0150M00061	WHEEL,BLOWER (M1, M2)	
0150M00062	WHEEL,BLOWER (M23, M24)	

SPECIAL PARTS

0161F00006 AMANA NAMEPLATE

Cabinet Assembly



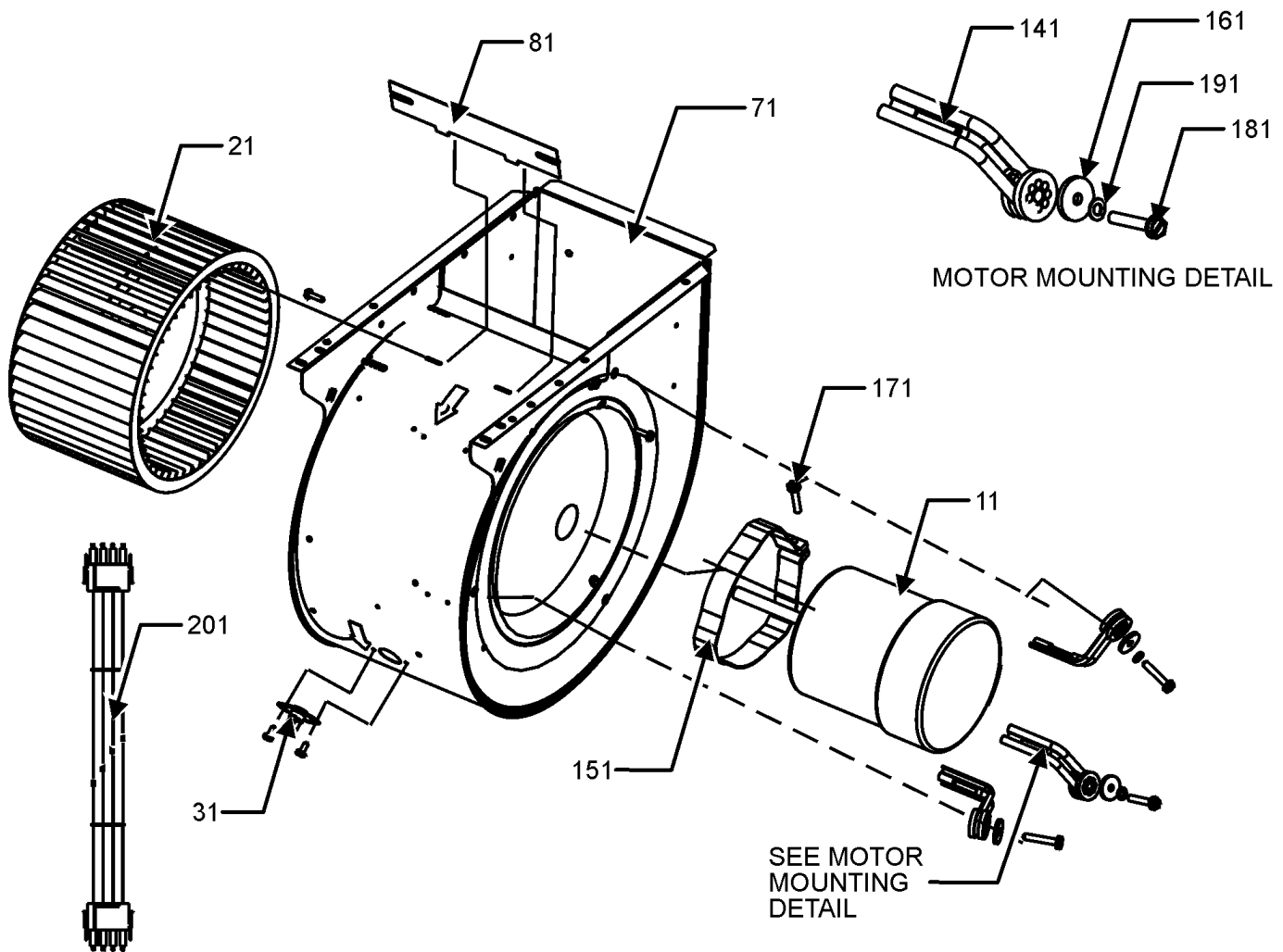
CABINET AND CONTROL PANEL ASSEMBLY
MAY DIFFER FROM WHAT IS SHOWN

Cabinet Assembly

Ref. Part No:	Description:	Ref. Part No:	Description:
Image 1:		Expanded Model Nomenclature	
11	0121F00122LG DOOR, BLOWER, 14"-PAINTED (M1, M2)	M1	- AMEC800403ANAA
11	0121F00123LG DOOR, BLOWER, 17.5" PAINTED (M3, M4, M5, M6, M7, M8, M9, M10, M11, M12, M13, M14)	M2	- AMEC800403ANAB
11	0121F00124LG DOOR, BLOWER, 21"-PAINTED (M15, M16, M17, M18, M19, M20, M21, M22, M25, M26, M27, M28)	M3	- AMEC800603BNAA
11	0121F00125LG DOOR, BLOWER, 24.5"-PAINTED (M23, M24)	M4	- AMEC800603BNAB
21	B1392139 VIEW PORT BUSHING-BLOWER DOOR	M5	- AMEC800603BXAA
31	0121F00118LG DOOR CTRL ACCESS, 14"-PAINTED (M1, M2)	M6	- AMEC800603BXAB
31	0121F00120LG DOOR CTRL ACCESS, 21"-PAINTED (M15, M16, M17, M18, M19, M20, M21, M22, M25, M26, M27, M28)	M7	- AMEC800803BNAA
31	0121F00121LG DOOR CTRL ACCESS, 24.5"PAINTED (M23, M24)	M8	- AMEC800803BNAB
31	0121F00119LG DOOR CTRL ACCESS,17.5"-PAINTED (M3, M4, M5, M6, M7, M8, M9, M10, M11, M12, M13, M14)	M9	- AMEC800803BXAA
41	0130F00791 AIR PRESSURE SWITCH (M1, M2, M11, M12, M13, M14, M25, M26, M27, M28)	M10	- AMEC800803BXAB
41	0130F00792 AIR PRESSURE SWITCH (M7, M8, M9, M10, M19, M20, M21, M22)	M11	- AMEC800804BNAA
41	0130F00794 AIR PRESSURE SWITCH (M15, M16, M17, M18)	M12	- AMEC800804BNAB
41	0130F00795 AIR PRESSURE SWITCH (M3, M4, M5, M6, M23, M25, M26, M27, M28)	M13	- AMEC800804BXAA
51	B1392147 UNIVERSAL BUSHING WITH SLICE	M14	- AMEC800804BXAB
71	4014502 J-BOX	M15	- AMEC800804CNAA
81	4015502 COVER, J-BOX	M16	- AMEC800804CNAB
111	10690402 INTERLOCK SWITCH	M17	- AMEC800804CXAA
171	0121F00141DG TOP, FURNACE 14"-PAINTED (M1, M2)	M18	- AMEC800804CXAB
171	0121F00142DG TOP, FURNACE 17.5"-PAINTED (M3, M4, M5, M6, M7, M8, M9, M10, M11, M12, M13, M14)	M19	- AMEC800805CNAA
171	0121F00143DG TOP, FURNACE 21"-PAINTED (M15, M16, M17, M18, M19, M20, M21, M22, M25, M26, M27, M28)	M20	- AMEC800805CNAB
171	0121F00463DG TOP, FURNACE 24.5" PAINTED (M23, M24)	M21	- AMEC800805CXAA
211	0130M00140 TRANSFORMER ,(120V TO 24V,40VA,	M22	- AMEC800805CXAB
251	PCBBF139 PCB IGNITION CONTROL	M23	- AMEC800805DXAA
271	0121F00464 MOUNTING PLATE-CONTROLS	M24	- AMEC800805DXAB
321	4023500 CHIMNEY TRANSITION TOP	M25	- AMEC801005CNAA
NS	0161F00006 AMANA NAMEPLATE	M26	- AMEC801005CNAB
		M27	- AMEC801005CXAA
		M28	- AMEC801005CXAB

Blower Assembly

BLOWER ASSEMBLY

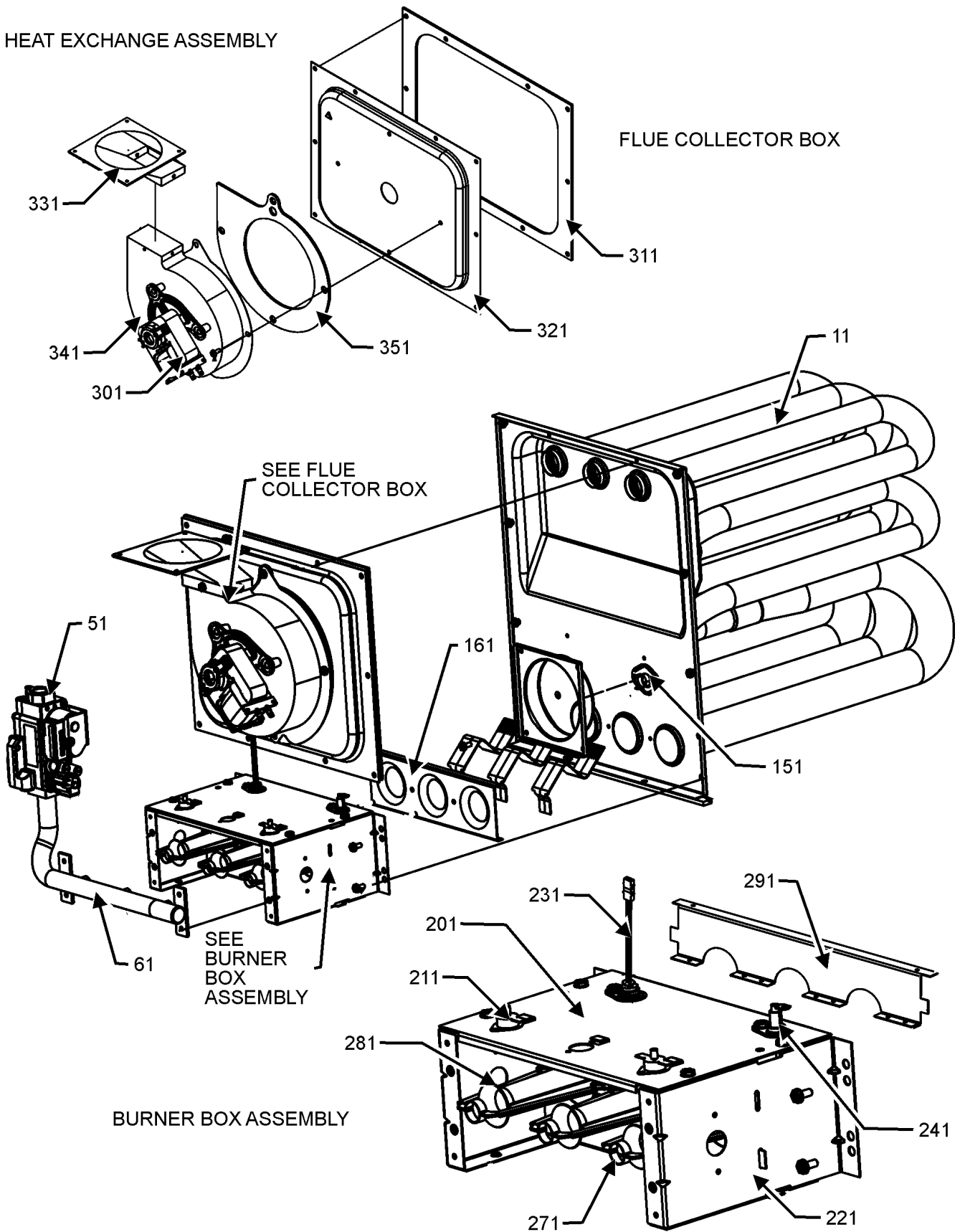


Blower Assembly

Ref. Part No:	Ref. Part No:	Description:	Description:
Image 1:		Expanded Model Nomenclature	
11	0131F00151	MOTOR PROGRAMMED (M19, M20, M21, M22)	M1 - AMEC800403ANAA
11	0131F00154	MOTOR PROGRAMMED (M25, M26, M27, M28)	M2 - AMEC800403ANAB
11	0131F00159	MOTOR PROGRAMMED (M23, M24)	M3 - AMEC800603BNAA
11	0131F00160	MOTOR PROGRAMMED (M3, M4, M5, M6)	M4 - AMEC800603BNAB
11	0131F00161	MOTOR PROGRAMMED (M11, M12, M13, M14)	M5 - AMEC800603BXAA
11	0131F00162	MOTOR PROGRAMMED (M7, M8, M9, M10)	M6 - AMEC800603BXAB
11	0131F00163	MOTOR PROGRAMMED (M1, M2)	M7 - AMEC800803BNAA
11	0131F00164	MOTOR PROGRAMMED (M15, M16, M17, M18)	M8 - AMEC800803BNAB
21	0150M00042	WHEEL, BLOWER (10 X 10) (M15, M16, M17, M18, M19, M20, M21, M22, M25, M26, M27, M28)	M9 - AMEC800803BXAA
21	0150M00043	WHEEL, BLOWER (10 X 8) (M3, M4, M5, M6, M7, M8, M9, M10, M11, M12, M13, M14)	M10 - AMEC800803BXAB
21	0150M00061	WHEEL, BLOWER (M1, M2)	M11 - AMEC800804BNAA
21	0150M00062	WHEEL, BLOWER (M23, M24)	M12 - AMEC800804BNAB
31	0130F00038	AUX LIMIT - LT BLUE 120°	M13 - AMEC800804BXAA
71	2539307	BLOWER HOUSING 10 X 10 (M15, M16, M17, M18, M19, M20, M21, M22, M23, M24, M25, M26, M27, M28)	M14 - AMEC800804BXAB
71	2539305	BLOWER HOUSING 10 X 6 (M1, M2)	M15 - AMEC800804CNAA
71	2539306	BLOWER HOUSING 10 X 8 (M3, M4, M5, M6, M7, M8, M9, M10, M11, M12, M13, M14)	M16 - AMEC800804CNAB
81	764741	BLOWER BLOCK-OFF 10 X 10 (M15, M16, M17, M18, M19, M20, M21, M22, M23, M24, M25, M26, M27, M28)	M17 - AMEC800804CXAA
81	764740	BLOWER BLOCK-OFF 10 X 8 (M3, M4, M5, M6, M7, M8, M9, M10, M11, M12, M13, M14)	M18 - AMEC800804CXAB
81	764739	BLOWER CUT-OFF 10 X 6 (M1, M2)	M19 - AMEC800805CNAA
141	B1376863	MOUNT ARM, MOTOR (HEAVY DUTY) (QTY 3)	M20 - AMEC800805CNAB
151	0121M00039	MOUNT BAND, MOTOR (HEAVY DUTY)	M21 - AMEC800805CXAA
161	B1392918	WASHER FLAT 1/4 ID X 1 OD (QTY 3)	M22 - AMEC800805CXAB
171	0163M00320	HEX HEAD ALL THREAD TAP BOLT	M23 - AMEC800805DXAA
181	M0250565	SCREW-TC 1.25" (QTY 3)	M24 - AMEC800805DXAB
191	B1393800	LOCKNUT NYLON INSERT 1/4,20	M25 - AMEC801005CNAA
201	0159F00076	WIRING HARNESS	M26 - AMEC801005CNAB
			M27 - AMEC801005CXAA
			M28 - AMEC801005CXAB

Heat Exchange Assembly

HEAT EXCHANGE ASSEMBLY



Heat Exchange Assembly

Ref. Part No:	Ref. Part No:	Description:	Description:
Image 1:		Image 1:	
11	0270F00931	HEAT EXCHANGER ASSY (M1, M2)	321 0121F00655
11	0270F00933	HEAT EXCHANGER ASSY (M3, M4, M5, M6)	321 0121F00659
11	0270F00934	HEAT EXCHANGER ASSY (M7, M8, M9, M10, M11, M12, M13, M14)	331 0128F00006
11	0270F00935	HEAT EXCHANGER ASSY (M15, M16, M17, M18, M19, M20, M21, M22)	341 0131M00781P
11	0270F00936	HEAT EXCHANGER ASSY (M25, M26, M27, M28)	351 0154F00003
11	0270F03017	HEAT EXCHANGER ASSY (M23, M24)	351 0154F00004
51	0151M00027	GAS VALVE	351 0154F00005
61	0120F00006	MANIFOLD (M1, M2)	NS 0259F00283
61	0120F00007	MANIFOLD (M3, M4, M5, M6)	NS 0259F00062
61	0120F00008	MANIFOLD (M7, M8, M9, M10, M11, M12, M13, M14, M15, M16, M17, M18, M19, M20, M21, M22, M23, M24)	NS 0259F00281
61	0120F00009	MANIFOLD (M25, M26, M27, M28)	NS 0259F00293
151	20162904	*PRIMARY LIMIT-TEMPERATURE CONTROL (M7, M8, M9, M10, M11, M12, M13, M14, M15, M16, M17, M18, M23, M24) *Refer to service bulletin SF-054	
151	20162903	LIMIT (M3, M4, M5, M6)	
151	0130M00063	LIMIT, PRIMARY, 140, GOLD (M19, M20, M21, M22)	
151	20162906	LIMIT-WHITE (M1, M2)	
151	20162905	LIMIT-YELLOW (M25, M26, M27, M28)	
161	4028000	ORIFICE SHIELD 2 CELL (M1, M2)	
161	4028001	ORIFICE SHIELD 3 CELL (M3, M4, M5, M6)	
161	4028002	ORIFICE SHIELD 4 CELL (M7, M8, M9, M10, M11, M12, M13, M14, M15, M16, M17, M18, M19, M20, M21, M22, M23, M24)	
161	4028003	ORIFICE SHIELD 5 CELL (M25, M26, M27, M28)	
201	0121F00162	BURNER BOX TOP 2 CELL (M1, M2)	
201	0121F00163	BURNER BOX TOP 3 CELL (M3, M4, M5, M6)	
201	0121F00164	BURNER BOX TOP 4 CELL (M7, M8, M9, M10, M11, M12, M13, M14, M15, M16, M17, M18, M19, M20, M21, M22, M23, M24)	
201	0121F00165	BURNER BOX TOP 5 CELL (M25, M26, M27, M28)	
211	10123529	MANUAL RESET R.O.S. LIMIT (QTY 2)	
221	0121F00146	SIDE PLATE BURNER BOX (QTY 2)	
231	0130F00008	SINI IGNITOR	
241	0130F00010	FLAME SENSOR	
271	10716005	ORIFICE (QTY 2)	
281	B4022700	INSHOT BURNER ASSY 3" (QTY 2)	
291	0121F00167	BURNER BRACKET 2B (M1, M2)	
291	0121F00168	BURNER BRACKET 3B (M3, M4, M5, M6)	
291	0121F00169	BURNER BRACKET 4B (M7, M8, M9, M10, M11, M12, M13, M14, M15, M16, M17, M18, M19, M20, M21, M22, M23, M24)	
291	0121F00170	BURNER BRACKET 5B (M25, M26, M27, M28)	
301	DY6.186.070	VENT MOTOR CAPACITOR	
311	0154F00003	GASKET-14 INCH (M1, M2)	
311	0154F00004	GASKET-17.5 INCH (M3, M4, M5, M6, M7, M8, M9, M10, M11, M12, M13, M14)	
311	0154F00005	GASKET-21 INCH (M15, M16, M17, M18, M19, M20, M21, M22, M23, M24, M25, M26, M27, M28)	
321	0121F00327	14" COLLECTOR BOX 1.125" DIA (M1, M2)	
321	0121F00328	17.5" COLLECTOR BOX 1.250" DIA (M3, M4, M5, M6)	
321	0121F00334	21" COLLECTOR BOX 1.625" DIA (M23, M24)	
321	0121F00333	21" COLLECTOR BOX 1.75" DIA (M25, M26, M27, M28)	
321	0121F00336	21" FLUE COLLECTOR BOX 1.50" (M19, M20, M21, M22)	
			Expanded Model Nomenclature
			M1 - AMEC800403ANAA
			M2 - AMEC800403ANAB
			M3 - AMEC800603BNAA
			M4 - AMEC800603BNAB
			M5 - AMEC800603BXAA
			M6 - AMEC800603BXAB
			M7 - AMEC800803BNAA
			M8 - AMEC800803BNAB
			M9 - AMEC800803BXAA
			M10 - AMEC800803BXAB
			M11 - AMEC800804BNAA
			M12 - AMEC800804BNAB
			M13 - AMEC800804BXAA
			M14 - AMEC800804BXAB
			M15 - AMEC800804CNAA
			M16 - AMEC800804CNAB
			M17 - AMEC800804CXAA
			M18 - AMEC800804CXAB
			M19 - AMEC800805CNAA
			M20 - AMEC800805CNAB
			M21 - AMEC800805CXAA
			M22 - AMEC800805CXAB
			M23 - AMEC800805DXAA
			M24 - AMEC800805DXAB
			M25 - AMEC801005CNAA
			M26 - AMEC801005CNAB
			M27 - AMEC801005CXAA
			M28 - AMEC801005CXAB