

## AM9S 80% Multi Position Furnace

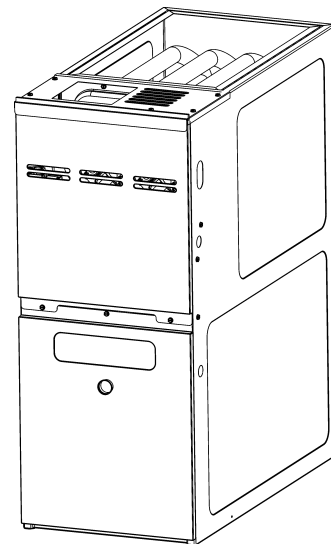
AM9S800403AUAA

AM9S800603AUAA

AM9S800604BUAA

AM9S800804BUAA

AM9S800805CUAA



Amana® is a registered trademark of Maytag Corporation or its related companies and is used under license. All rights reserved.

This manual is to be used by qualified technicians only.

# Important Information

---

## Index

Functional Parts List .....	3
Illustration and Parts .....	4 - 9

*Views shown are for parts illustrations only, not servicing procedures.*

### Text Codes:

AR - As Required

NA - Not Available

NS - Not Shown

00000000 - See Note

QTY - Quantity Example (QTY 3) (If Quantity not shown, Quantity = 1)

M - Model Example (M1) (If M Code not shown, then part is used on all Models)

### Expanded Model Nomenclature:

Example
M1 - Model#1
M2 - Model#2
M3 - Model#3

Goodman Company, L.P. is not responsible for personal injury or property damage resulting from improper service. Review all service information before beginning repairs.

Warranty service must be performed by an authorized technician, using authorized factory parts. If service is required after the warranty expires, Goodman Company, L.P. also recommends contacting an authorized technician and using authorized factory parts.

Goodman Company, L.P. reserves the right to discontinue, or change at any time, specifications or designs without notice or without incurring obligations.

For assistance within the U.S.A. contact:

Homeowner Support  
Goodman Company, L.P.  
19001 Kermier Road  
Waller, Texas 77484  
877-254-4729-Telephone  
713-863-2382-Facsimile

For assistance outside the U.S.A. contact:

International Division  
Goodman Company, L.P.  
19001 Kermier Road  
Waller, Texas 77484  
713-861-2500-Telephone  
713-863-2382-Facsimile

# Functional Parts

## Part

## No: Description:

---

0130F00802	80% PRESSURE TRANSDUCER
0130F00762	FLAME SENSOR
0151M00094	GAS VALVE, ULN
10690402	INTERLOCK SWITCH
0130F00067	LIMIT, PRIMARY (M4, M5)
20162901	LIMIT, PRIMARY (M1, M2, M3)
0130F00038	LIMIT, PRIMARY 120 LT BLUE
0131F00304	MOTOR PROGRAMMED (M5)
0131F00300	MOTOR PROGRAMMED (M1)
0131F00301	MOTOR PROGRAMMED (M2)
0131F00303	MOTOR PROGRAMMED (M4)
0131F00302	MOTOR PROGRAMMED (M3)
0171M00010	MOTOR, VENT ULN80
PCBBF241	PCB IGNITION HIS
0130F00772	SWITCH, HIGH LIMIT ULN (M5)
0130F00771	SWITCH, HIGH LIMIT ULN (M2, M4)
0130F00770	SWITCH, HIGH LIMIT ULN (M1)
0130F00769	SWITCH, HIGH LIMIT ULN (M3)
0130M00140	TRANSFORMER,(120V TO 24V,40VA,
0130F00955	ULN IGNITER

### SPECIAL PARTS

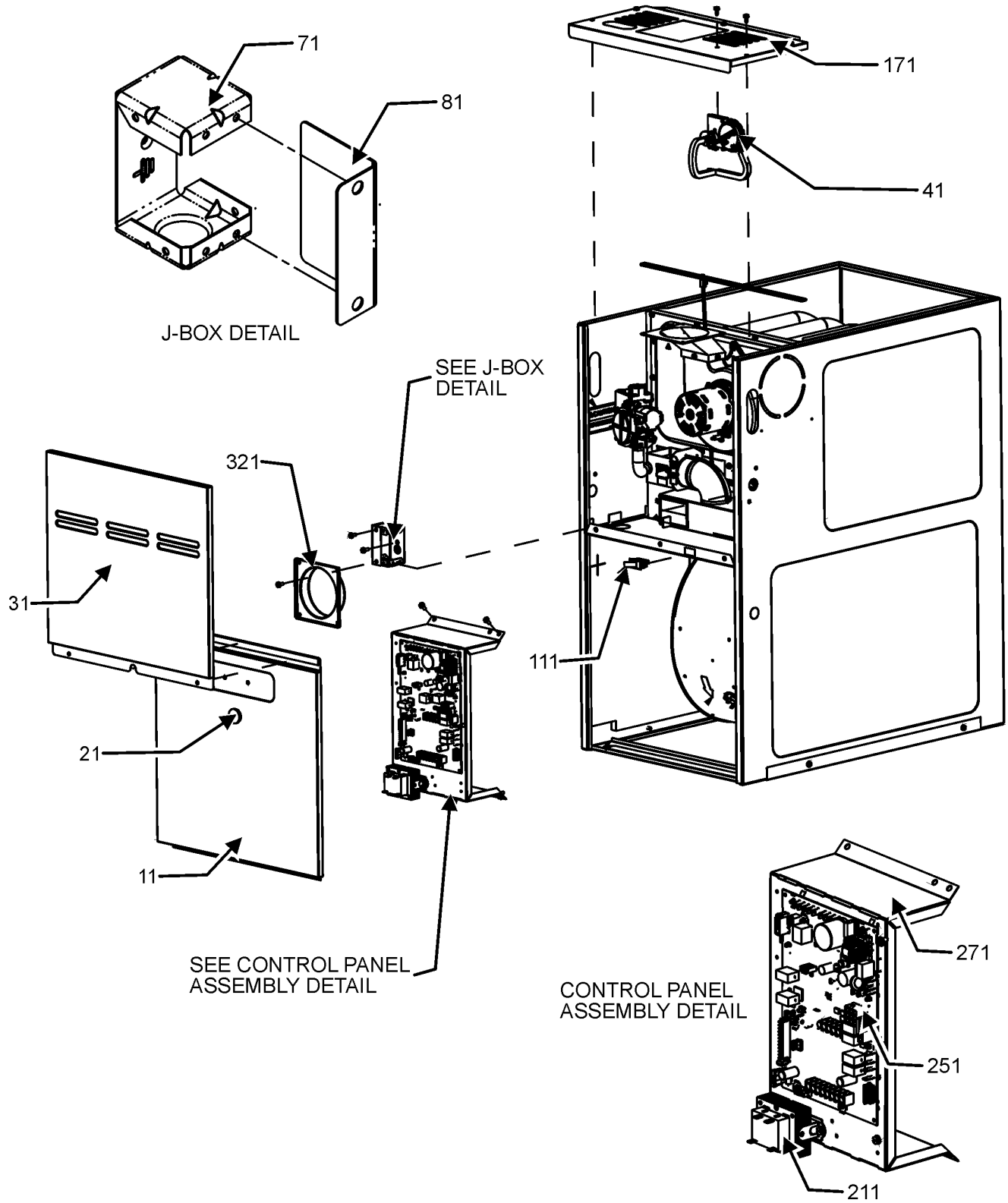
0161F00006	AMANA NAMEPLATE
HI-130	HOMEOWNERS INSTRUCTIONS
IOG-2031	INSTALLATION INSTRUCTIONS
PWAFURNSUNT	PRODUCT WARRANTY

### Expanded Model Nomenclature

M1 - AM9S800403AUAA
M2 - AM9S800603AUAA
M3 - AM9S800604BUAA
M4 - AM9S800804BUAA
M5 - AM9S800805CUAA

# Cabinet and Control Panel Assembly

## CABINET AND CONTROL PANEL ASSEMBLY



CABINET AND CONTROL PANEL ASSEMBLY MAY DIFFER FROM WHAT IS SHOWN

# Cabinet and Control Panel Assembly

Ref. Part No:	Ref. Part No:	Description:	Description:
---------------	---------------	--------------	--------------

**Image 1:**

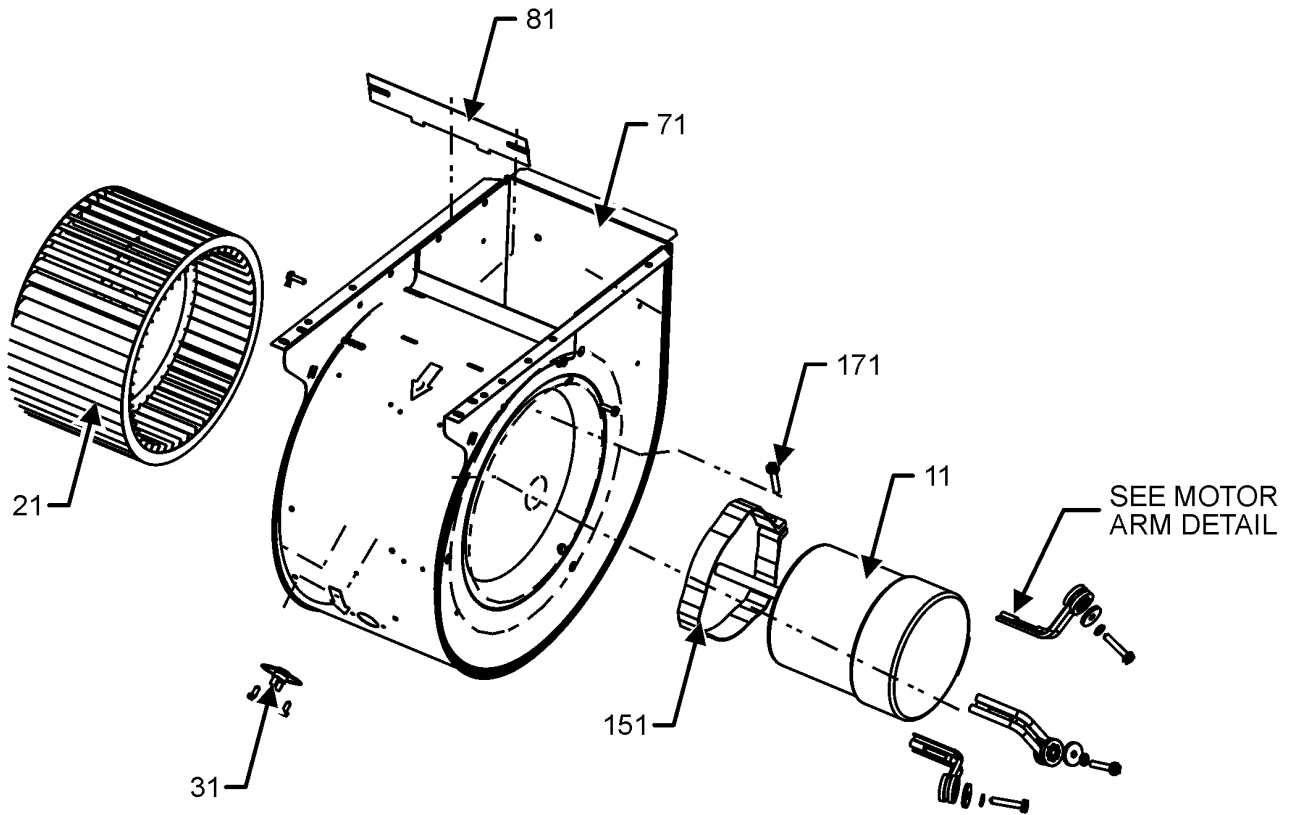
11	0121F00122LG	DOOR, BLOWER, 14"-PAINTED (M1, M2)
11	0121F00123LG	DOOR, BLOWER, 17.5" PAINTED (M3, M4)
11	0121F00124LG	DOOR, BLOWER, 21"-PAINTED (M5)
21	B1392139	VIEW PORT BUSHING, CLEAR
31	0121F00118LG	DOOR CTRL ACCESS, 14"-PAINTED (M1, M2)
31	0121F00120LG	DOOR CTRL ACCESS, 21"-PAINTED (M5)
31	0121F00119LG	DOOR CTRL ACCESS, 17.5"-PAINTED (M3, M4)
41	0130F00802	80% PRESSURE TRANSDUCER
71	4014502	J-BOX
81	4015502	COVER, J-BOX
111	10690402	INTERLOCK SWITCH
171	0121F00141DG	TOP, FURNACE 14"-PAINTED (M1, M2)
171	0121F00142DG	TOP, FURNACE 17.5"-PAINTED (M3, M4)
171	0121F00143DG	TOP, FURNACE 21"-PAINTED (M5)
211	0130M00140	TRANSFORMER, (120V TO 24V, 40VA,
251	PCBBF241	PCB IGNITION HIS
271	0121F00794	MOUNTING PLATE CONTROLS
321	4023500	CHIMNEY TRANSITION TOP
NS	0161F00006	AMANA NAMEPLATE
NS	HI-130	HOMEOWNERS INSTRUCTIONS
NS	IOG-2031	INSTALLATION INSTRUCTIONS
NS	PWAFURNSUNT	PRODUCT WARRANTY

**Expanded Model Nomenclature**

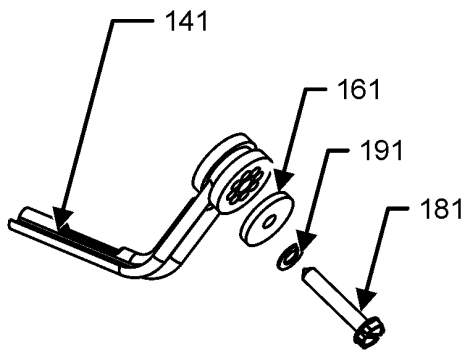
M1 - AM9S800403AUAA
M2 - AM9S800603AUAA
M3 - AM9S800604BUAA
M4 - AM9S800804BUAA
M5 - AM9S800805CUAA

# Blower Assembly

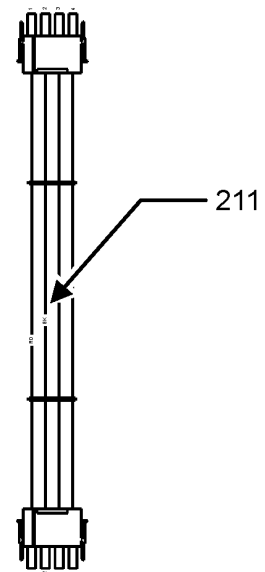
## BLOWER ASSEMBLY



LIMIT LOCATION MAY DIFFER FROM WHAT IS SHOWN



MOTOR ARM DETAIL



BLOWER ASSEMBLY MAY DIFFER FROM WHAT IS SHOWN

# Blower Assembly

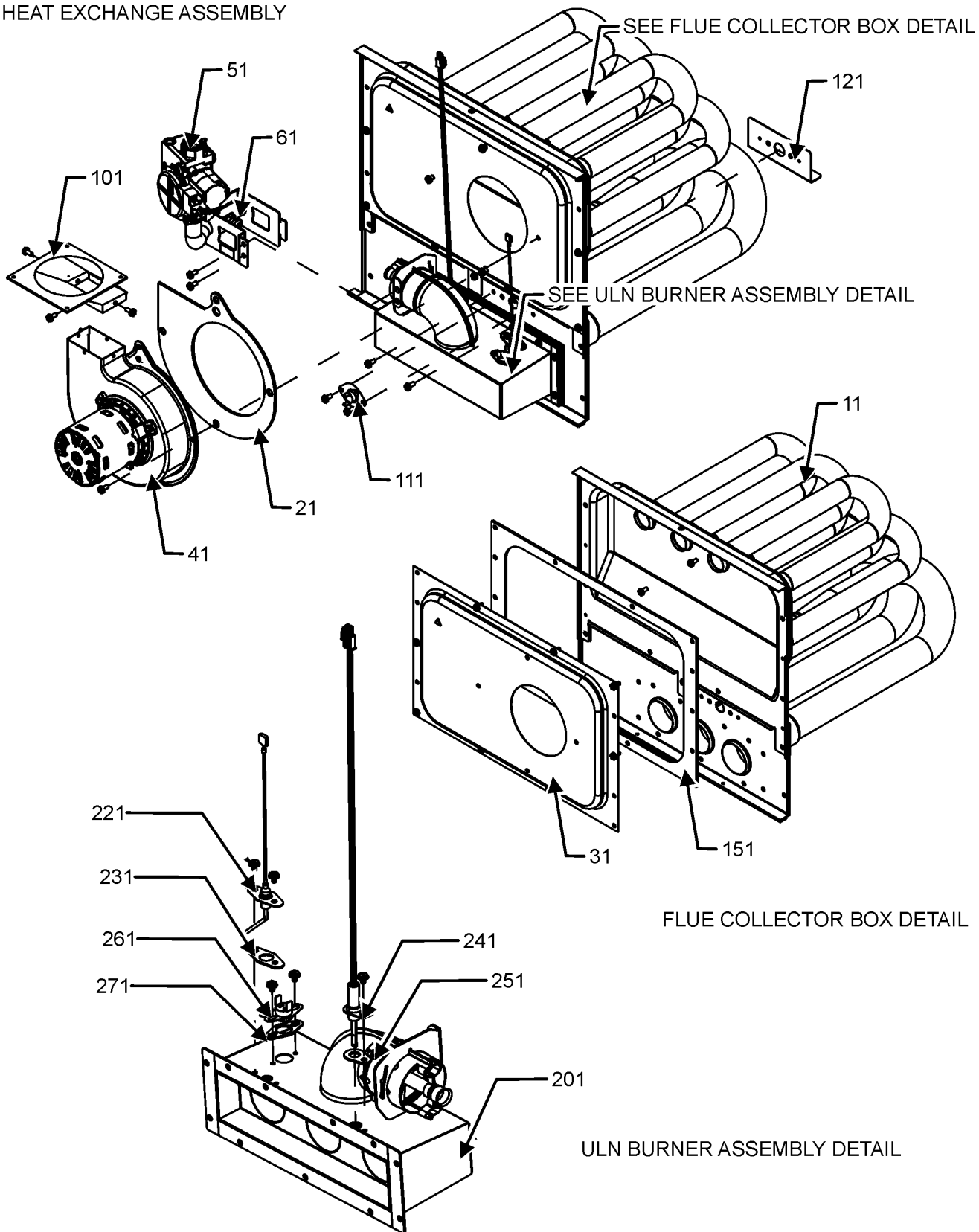
Ref. Part No:	No:	Description:	Ref. Part No:	No:	Description:
<b>Image 1:</b>					
11	0131F00300	MOTOR PROGRAMMED (M1)			
11	0131F00301	MOTOR PROGRAMMED (M2)			
11	0131F00302	MOTOR PROGRAMMED (M3)			
11	0131F00303	MOTOR PROGRAMMED (M4)			
11	0131F00304	MOTOR PROGRAMMED (M5)			
21	B1368034	BLOWER WHEEL (10 X 6) (M1, M2)			
21	0150M00042	WHEEL, BLOWER (10 X 10) (M5)			
21	0150M00043	WHEEL, BLOWER (10 X 8) (M3, M4)			
31	0130F00038	LIMIT, PRIMARY 120 LT BLUE			
71	2539307	BLWR SHL ASM 10X10 10X10 (M5)			
71	2539305	BLWR SHL ASM 10X6 10X6 (M1, M2)			
71	2539306	BLWR SHL ASM 10X8 10X8 (M3, M4)			
81	764741	BLWR BLK-OFF, 10X10 (M5)			
81	764739	BLWR BLK-OFF, 10X6 (M1, M2)			
81	764740	BLWR BLK-OFF, 10X8 (M3, M4)			
141	0163M00538	MOUNT ARM, MOTOR (QTY 3)			
151	0121M00039	MOTOR MOUNT BAND (HEAVY DUTY)			
161	B1392918	WASHER, FLAT 1/4 ID X 1 OD (QTY 3)			
171	0163M00320	HEX HEAD ALL THREAD TAP BOLT			
181	M0250565	SCREW-TC 1.25" (QTY 3)			
191	B1393800	LOCK NUT NYLON IINISERT 1/4 20			
211	0159F00119	CTM, MOTOR HARNESS			

## Expanded Model Nomenclature

M1 - AM9S800403AUAA
M2 - AM9S800603AUAA
M3 - AM9S800604BUAA
M4 - AM9S800804BUAA
M5 - AM9S800805CUAA

# Heat Exchange Assembly

## HEAT EXCHANGE ASSEMBLY



HEAT EXCHANGE ASSEMBLY MAY DIFFER FROM WHAT IS SHOWN

# Heat Exchange Assembly

Ref. Part No:	Ref. Part No:	Description:	Description:
<b>Image 1:</b>			
11	0270F03775	ASSY, EXCHANGER, HEAT (M5)	
11	0270F03773	ASSY., HEAT EXCHANGER (M3)	
11	0270F03774	ASSY., HEAT EXCHANGER (M1)	
11	0270F04357	ASSY., HEAT EXCHANGER (M2)	
11	0270F04358	ASSY., HEAT EXCHANGER (M4)	
21	0154F00048	GASKET, 14 INCH (M1, M2)	
21	0154F00049	GASKET, 17.5 INCH (M3, M4)	
21	0154F00050	GASKET, 21 INCH (M5)	
31	0121F00333	21" COLLECTOR BOX 1.75" DIA (M5)	
31	0121F00126	COLLECTOR BOX 14" 1.375 DIA (M1, M2)	
31	0121F00128	COLLECTOR BOX 17.5" 1.75 DIA (M3, M4)	
41	0171M00010	MOTOR, VENT ULN80	
51	0151M00094	GAS VALVE, ULN	
61	0263F00004	ASSY., MANIFOLD (M1)	
61	0263F00005	ASSY., MANIFOLD (M2, M3)	
61	0263F00006	ASSY., MANIFOLD (M4, M5)	
101	0128F00006	TRANSITION, BOTTOM	
111	0130F00067	LIMIT, PRIMARY (M4, M5)	
111	20162901	LIMIT, PRIMARY (M1, M2, M3)	
121	0121F00439	HEAT SHEILD PRIMARY LIMIT	
151	0154F00084	GASKET, PART PANEL (M1, M2)	
151	0154F00085	GASKET, PART PANEL (M3, M4)	
151	0154F00086	GASKET, PART PANEL (M5)	
201	0163F00023	BURNER, BECKETT 2B (M1)	
201	0163F00024	BURNER, BECKETT 3B (M2, M3)	
201	0163F00025	BURNER, BECKETT 4B (M4, M5)	
221	0130F00762	FLAME SENSOR	
231	0154F00068	GASKET ULN FLAME SENSOR	
241	0130F00955	ULN IGNITER	
251	0154F00067	GASKET ULN IGNITOR	
261	0130F00769	SWITCH, HIGH LIMIT ULN (M3)	
261	0130F00770	SWITCH, HIGH LIMIT ULN (M1)	
261	0130F00771	SWITCH, HIGH LIMIT ULN (M2, M4)	
261	0130F00772	SWITCH, HIGH LIMIT ULN (M5)	
271	0154F00069	GASKET LIMIT ULN	
NS	0154F00093	BURNER GASKET-INSULATION (M1)	
NS	0154F00094	BURNER GASKET-INSULATION (M2, M3)	
NS	0154F00095	BURNER GASKET-INSULATION (M4, M5)	
NS	DY6.186.070	VENT MOTOR CAPACITOR	
NS	0159F00146	WIRE HARNESS	

## Expanded Model Nomenclature

- |                     |
|---------------------|
| M1 - AM9S800403AUAA |
| M2 - AM9S800603AUAA |
| M3 - AM9S800604BUAA |
| M4 - AM9S800804BUAA |
| M5 - AM9S800805CUAA |