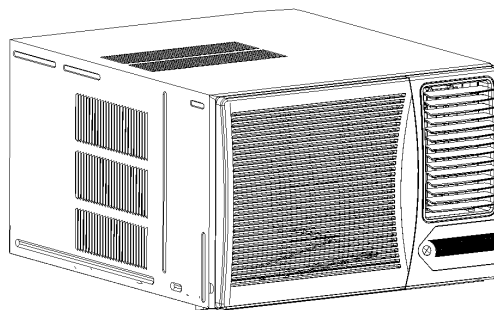
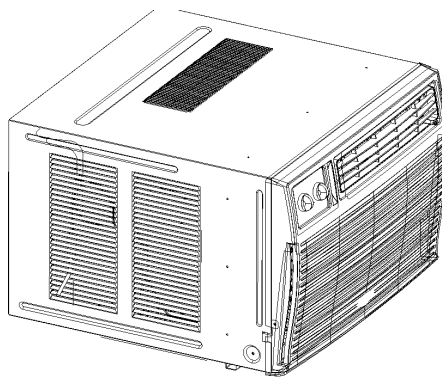


REPAIR PARTS

Room Air Conditioner Heat and Heat Pump Units

AE093A35MA
AE093B35MB
AE123A35MA
AE123B35MB
AE183A35MA
AE183B35MB
AH093A35MA
AH123A35MA
AH123A35MC
AH183A35MA



This manual is to be used by qualified technicians only.

This manual replaces RP-402C.

© 2007-2008 Goodman Manufacturing Company, L.P. ♦ 5151 San Felipe, Suite 500 ♦ Houston, TX 77056

Important Information

Index

Functional Parts List	3
Illustration and Parts	4 - 15

Views shown are for parts illustrations only, not servicing procedures.

Rev. D: Corrected part numbers on pages 12 and 14.

Text Codes:

AR - As Required

NA - Not Available

NS - Not Shown

00000000 - See Note

QTY - Quantity Example (QTY 3) (If Quantity not shown, Quantity = 1)

M - Model Example (M1) (If M Code not shown, then part is used on all Models)

Expanded Model Nomenclature:

Example M1 - Model#1 M2 - Model#2 M3 - Model#3

Goodman Manufacturing Company, L.P. is not responsible for personal injury or property damage resulting from improper service. Review all service information before beginning repairs.

Warranty service must be performed by an authorized technician, using authorized factory parts. If service is required after the warranty expires, Goodman Manufacturing Company, L.P. also recommends contacting an authorized technician and using authorized factory parts.

Goodman Manufacturing Company, L.P. reserves the right to discontinue, or change at any time, specifications or designs without notice or without incurring obligations.

For assistance within the U.S.A. contact:
Consumer Affairs Department
Goodman Manufacturing Company, L.P.
7401 Security Way
Houston, Texas 77040
877-254-4729-Telephone
713-863-2382-Facsimile

For assistance outside the U.S.A. contact:
International Division
Goodman Manufacturing Company, L.P.
7401 Security Way
Houston, Texas 77040
713-861-2500-Telephone
713-863-2382-Facsimile

Functional Parts

Part

No: Description:

150116061	BLOWER MOTOR CJ100B (M5, M6)
150116034	BLOWER MOTOR CJ190F (M10)
07100164	DRAIN VALVE (M7, M8, M9)
32001016	ELECTRIC HEATER (M1, M2, M3, M4, M7, M8, M9)
150110432	FAN MOTOR CJ130D* (M2, M4, M9)
150113051	FAN MOTOR CJ130P* (M1, M3, M7, M8)
15211006	LOUVER MOTOR SM020B (M5, M6, M10)
180096	OVERLOAD PROTECTOR (M9)
00180091	OVERLOAD PROTECTOR (M5, M6)
00180090	OVERLOAD PROTECTOR (M3, M4, M8)
00180098	OVERLOAD PROTECTOR (M1, M2, M7)
430004017	SOLENOID (M9)
43000401	SOLENOID (M10)
42011103	TERMINAL BOARD
45040017	THERMOSTAT WP15.7B-LR (M5, M6, M10)
45040023	THERMOSTAT WP-4A-LR (M10)

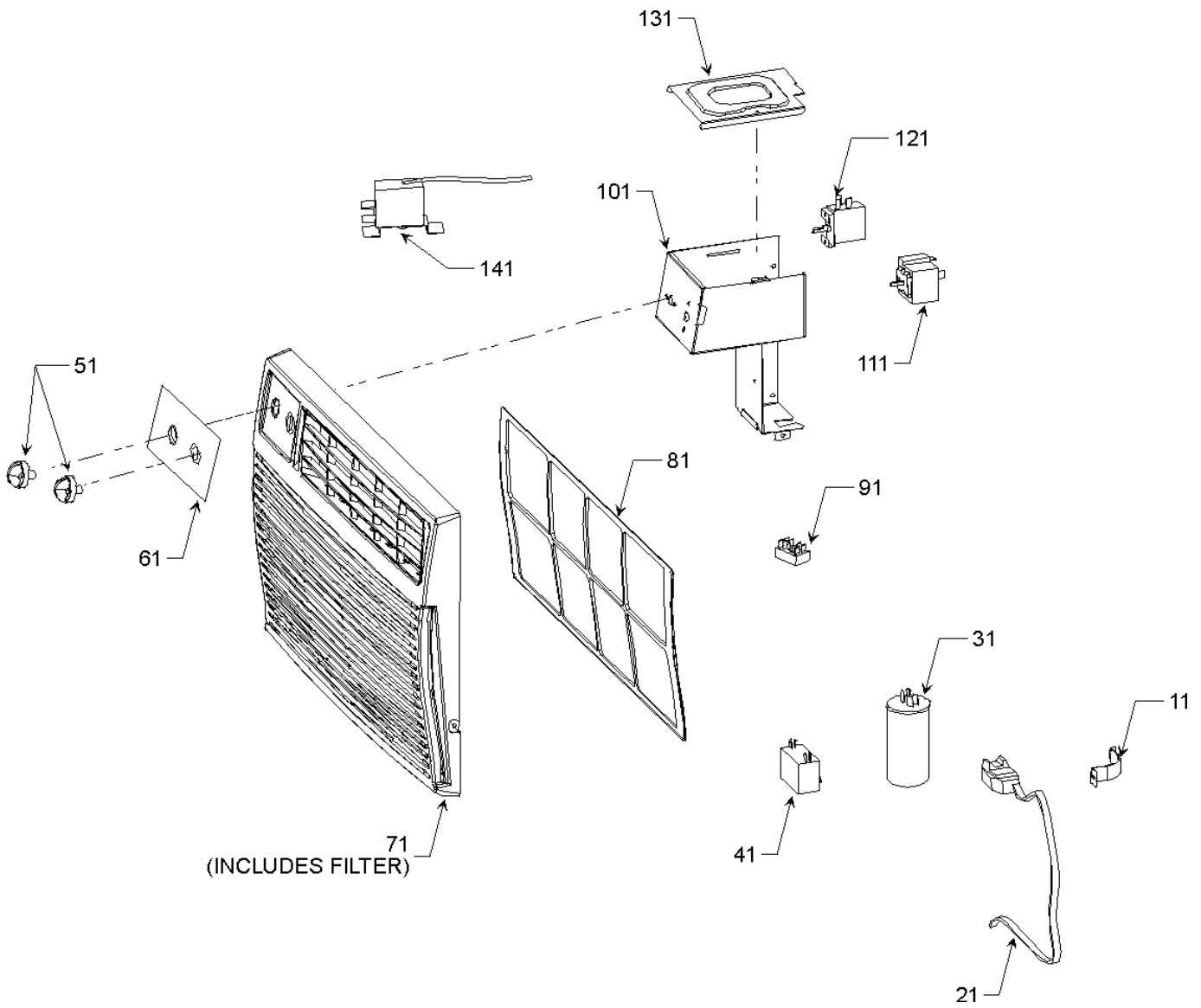
SPECIAL PARTS

RP-402C	REPAIR PARTS MANUAL
HI-119B	USER'S MANUAL (M1, M2, M3, M4, M7, M8, M9)
HI-120B	USER'S MANUAL (M5, M6, M9, M10)

Expanded Model Nomenclature

M1 - AE093A35MA
M2 - AE093B35MB
M3 - AE123A35MA
M4 - AE123B35MB
M5 - AE183A35MA
M6 - AE183B35MB
M7 - AH093A35MA
M8 - AH123A35MA
M9 - AH123A35MC
M10 - AH183A35MA

Front/Control Box Assy



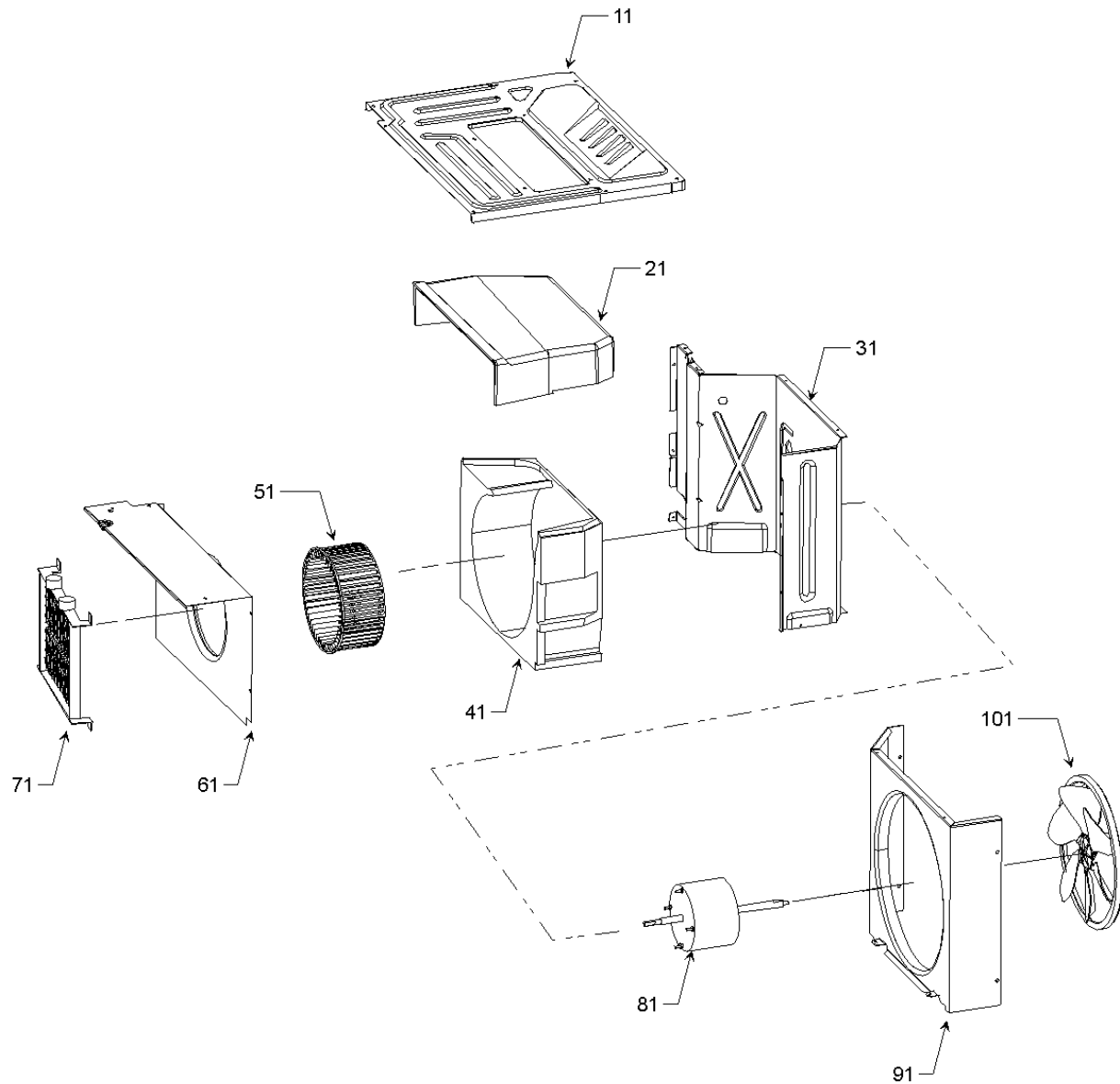
Front/Control Box Assy

Ref. Part No:	No:	Description:	Ref. Part No:	No:	Description:
<i>Image 1:</i>					
11	02141001	CAPACITOR STRAP (M1, M2, M3, M4, M7, M8, M9)			
21	400203743	POWER CORD (LCDI) (M1, M2, M3, M4, M7, M8, M9)			
31	33000017	COMPRESSOR CAPACITOR 25uF/450V (440V) (M1, M2, M3, M4, M7, M8, M9)			
41	33010011	FAN CAPACITOR 4uF/450V (M1, M2, M3, M4, M7, M8, M9)			
51	45031158	KNOB ASSY (M1, M2, M3, M4, M7, M8, M9)			
61	20161162	OVERLAY (M1, M2, M3, M4, M7, M8, M9)			
71	20001274	FRONT PANEL ASSY (M1, M2, M3, M4, M7, M8, M9)			
81	11121012	FILTER (M1, M2, M3, M4, M7, M8, M9)			
91	42011103	TERMINAL BOARD (M1, M2, M3, M4, M7, M9)			
91	42011103	TERMINAL BOARD (QTY 2) (M8)			
101	01411022	ELECTRIC BOX (M1, M2, M3, M4, M7, M8)			
101	01411134	ELECTRIC BOX (M9)			
111	45010320	MODE SELECTOR SWITCH (M1, M2, M3, M4, M7, M8, M9)			
121	45040017	THERMOSTAT WP15.7B-LR (M1, M2, M3, M4, M7, M8, M9)			
131	01411007	ELECTRIC BOX COVER (M1, M2, M3, M4, M7, M8)			
131	01411135	ELECTRIC BOX COVER (M9)			
141	45040023	THERMOSTAT WP-4A-LR (M7, M8, M9)			

Expanded Model Nomenclature

M1 - AE093A35MA
M2 - AE093B35MB
M3 - AE123A35MA
M4 - AE123B35MB
M5 - AE183A35MA
M6 - AE183B35MB
M7 - AH093A35MA
M8 - AH123A35MA
M9 - AH123A35MC
M10 - AH183A35MA

Blower/Fan Assy



*UNITS PRODUCED PRIOR TO FEB. 2007 WITH SERIAL NOS. -0701 WILL REQUIRE BOTH THE FAN BLADE AND MOTOR BE ORDERED TOGETHER WHEN REQUIRING EITHER.

Blower/Fan Assy

Ref. Part No:	No:	Description:	Ref. Part No:	No:	Description:
---------------	-----	--------------	---------------	-----	--------------

Image 1:

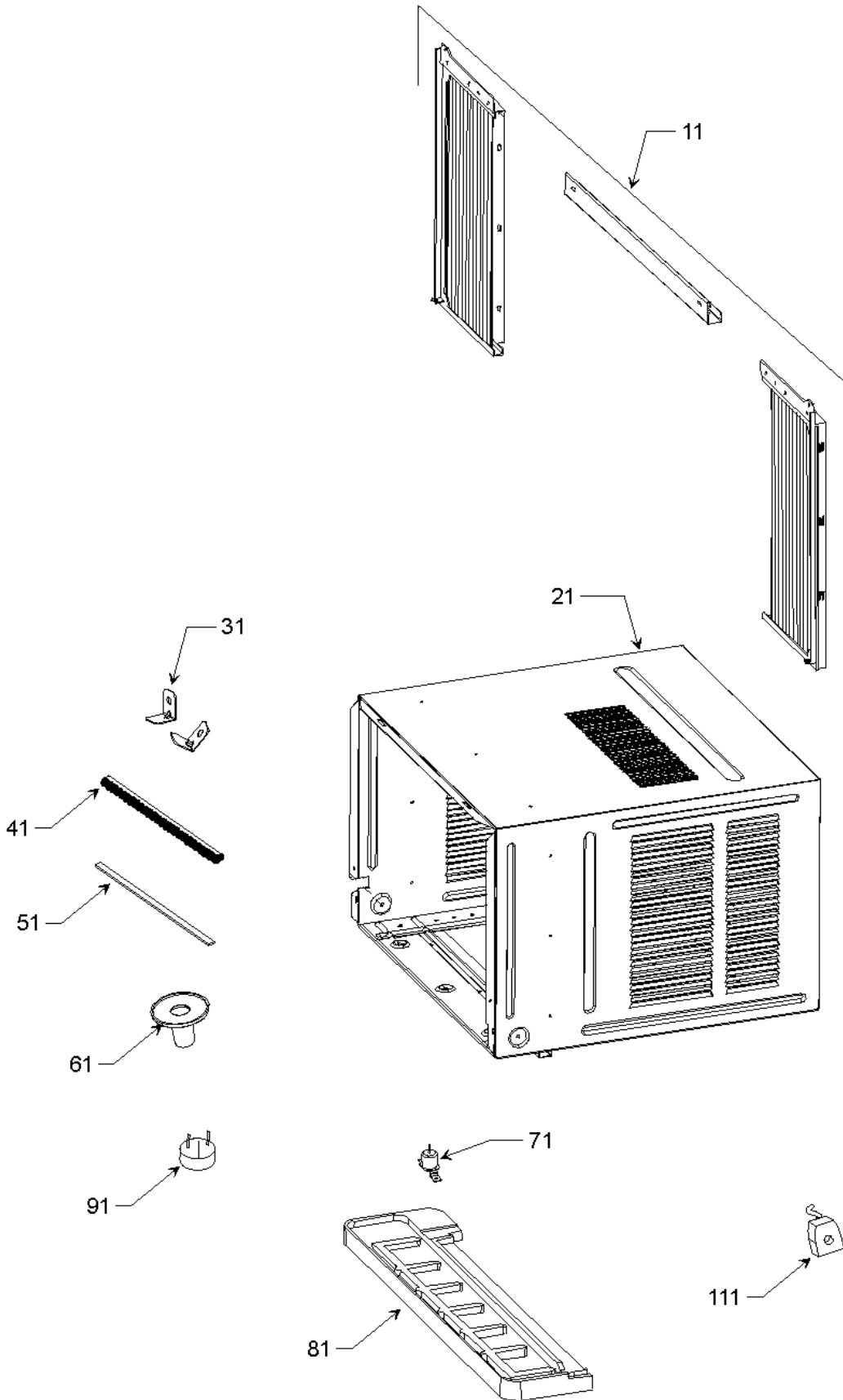
11	01251206	TOP COVER (M1, M2, M3, M4, M7, M8, M9)
21	12101208	BLOWER SHROUD, UPPER (M1, M2, M3, M4, M7, M8, M9)
31	01231014	PARTITION PANEL (M1, M2, M3, M4, M7, M8, M9)
41	12101207	BLOWER SHROUD, LOWER (M1, M2, M3, M4, M7, M8, M9)
51	103115031	BLOWER WHEEL (M1, M2, M3, M4, M7, M8)
51	103115032	BLOWER WHEEL (M9)
61	01231027	HEATER SHIELD (M1, M2, M3, M4, M7, M8, M9)
71	32001016	ELECTRIC HEATER (M1, M2, M3, M4, M7, M8, M9)
81	150110432	FAN MOTOR CJ130D* (M2, M4, M9)
81	150113051	FAN MOTOR CJ130P* (M1, M3, M7, M8)
91	01231013	CONDENSER SHROUD (M1, M2, M3, M4, M7, M8, M9)
101	10331155	FAN BLADE* (M1, M2, M3, M4, M7, M8, M9)

Expanded Model Nomenclature

M1 - AE093A35MA
M2 - AE093B35MB
M3 - AE123A35MA
M4 - AE123B35MB
M5 - AE183A35MA
M6 - AE183B35MB
M7 - AH093A35MA
M8 - AH123A35MA
M9 - AH123A35MC
M10 - AH183A35MA

*UNITS PRODUCED PRIOR TO FEB. 2007 WITH SERIAL NOS. -0701 WILL REQUIRE BOTH THE FAN BLADE AND MOTOR BE ORDERED TOGETHER WHEN REQUIRING EITHER.

Miscellaneous



Miscellaneous

Ref. Part No:	No:	Description:	Ref. Part No:	No:	Description:
---------------	-----	--------------	---------------	-----	--------------

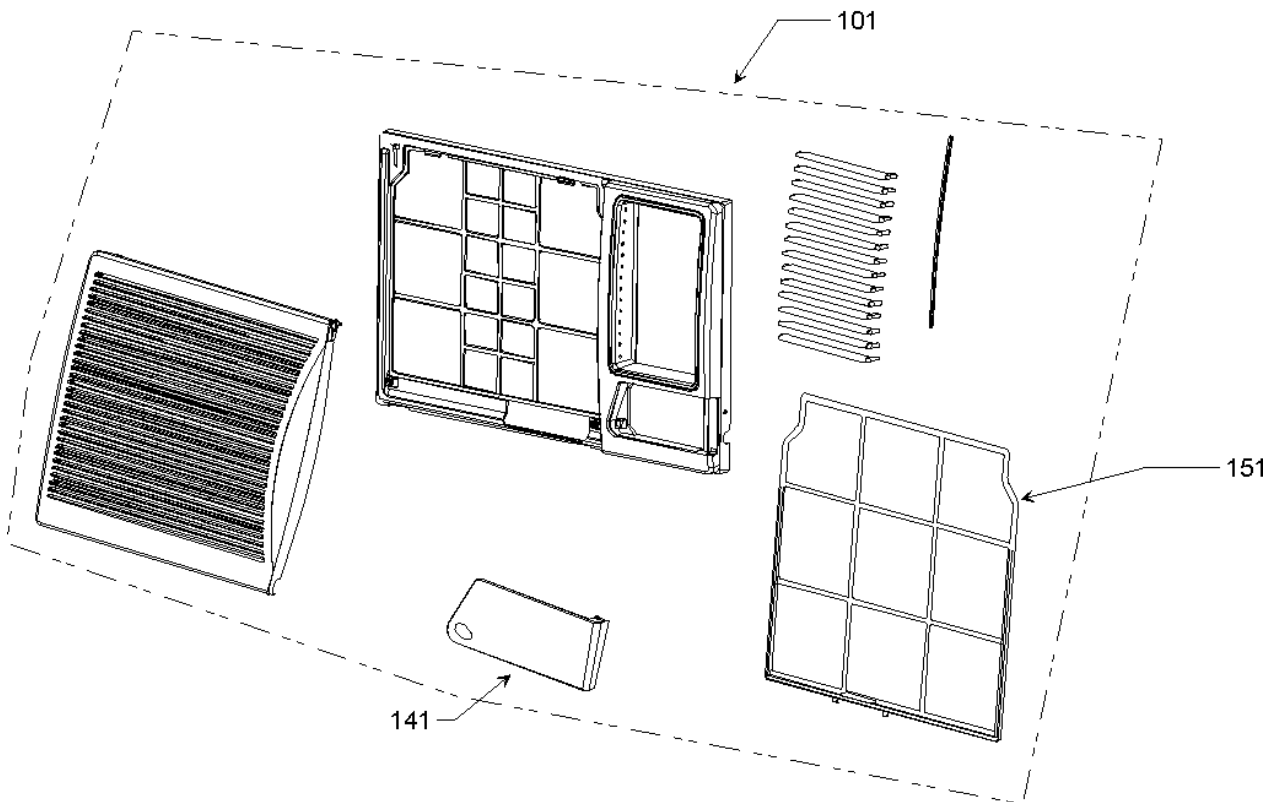
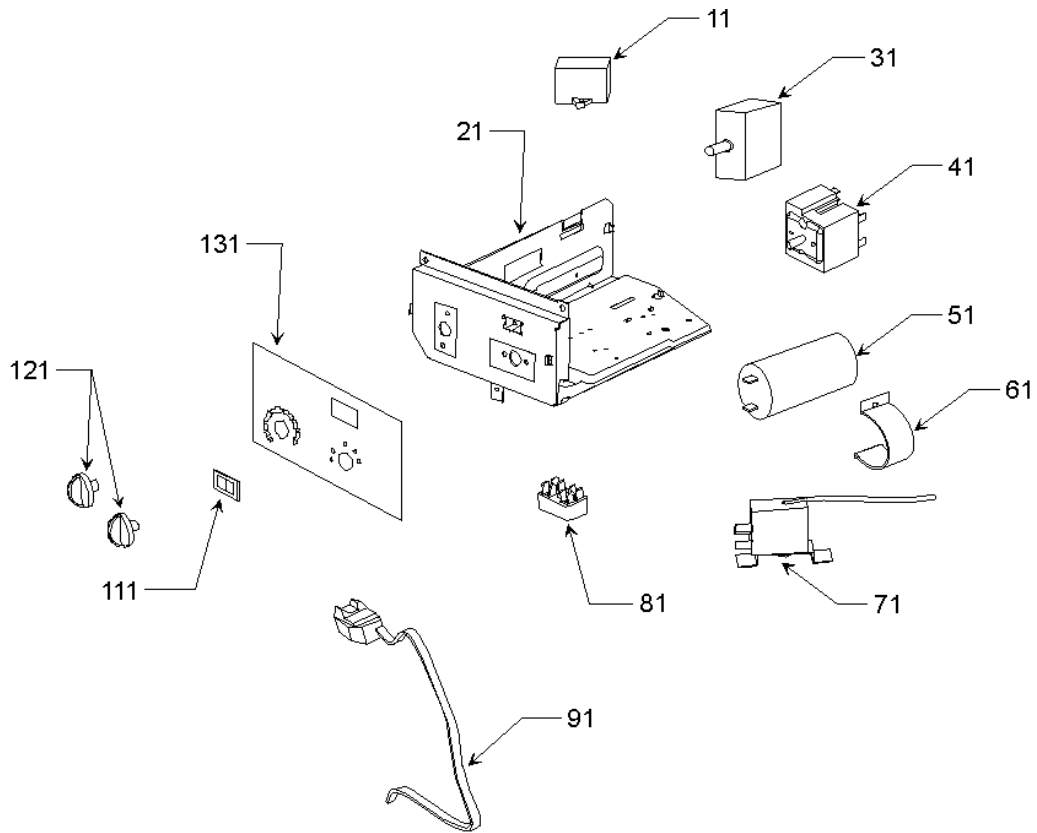
Image 1:

11	22411007	CURTAIN ASSY (M1, M2, M3, M4, M7, M8, M9)
21	01431035	OUTERCASE (M8)
21	12010015	OUTERCASE (M7, M9)
31	02111151	WINDOW ANGLE BRACKET (QTY 2) (M1, M2, M3, M4, M5, M6, M7, M9)
31	02111152	WINDOW ANGLE BRACKET (QTY 2) (M8)
41	12121157	SEAL STRIP 1 (M1, M2, M3, M4, M7, M8, M9)
51	12121158	SEAL STRIP 2 (M1, M2, M3, M4, M7, M8, M9)
61	06121350	DRAIN CUP (M1, M2, M3, M4, M7, M8, M9)
71	07100164	DRAIN VALVE (M7, M8, M9)
81	12311504	DRAIN PAN (M1, M2, M3, M4, M7, M8, M9)
91	00180090	OVERLOAD PROTECTOR (M3, M4, M8)
91	00180098	OVERLOAD PROTECTOR (M1, M2, M7)
91	180096	OVERLOAD PROTECTOR (M9)
111	430004017	SOLENOID (M9)

Expanded Model Nomenclature

- M1 - AE093A35MA
- M2 - AE093B35MB
- M3 - AE123A35MA
- M4 - AE123B35MB
- M5 - AE183A35MA
- M6 - AE183B35MB
- M7 - AH093A35MA
- M8 - AH123A35MA
- M9 - AH123A35MC
- M10 - AH183A35MA

Front/Control Box Assy



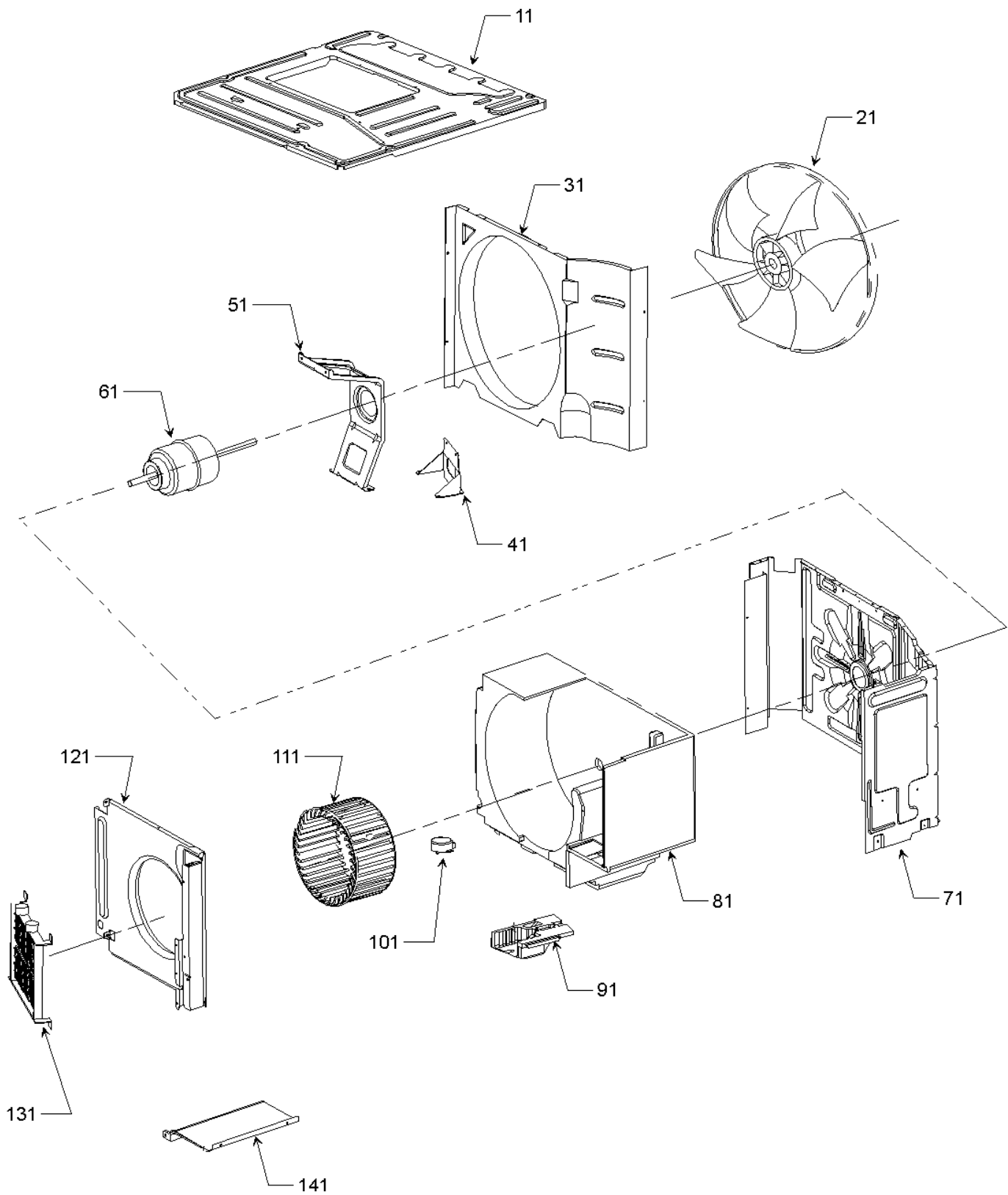
Front/Control Box Assy

Ref. Part No:	No:	Description:	Ref. Part No:	No:	Description:
<i>Image 1:</i>					
11	33010009	FAN CAPACITOR 7uF/450V (M5, M6, M10)			
21	01401139	ELECTRIC BOX (M5, M6, M10)			
31	45040017	THERMOSTAT WP15.7B-LR (M5, M6, M10)			
41	45010320	MODE SELECTOR SWITCH (M5, M6, M10)			
51	33000022	COMPRESSOR CAPACITOR (M5, M6)			
51	33000012	COMPRESSOR CAPACITOR 45uF/440V(450V) (M10)			
61	02141601	CAPACITOR STRAP (M5, M6, M10)			
71	45040023	THERMOSTAT WP-4A-LR (M10)			
81	42011103	TERMINAL BOARD (M5, M6)			
81	42011103	TERMINAL BOARD (QTY 2) (M10)			
91	40020379	POWER CORD (M5, M6, M10)			
101	20001257	FRONT PANEL ASSY (M5, M6, M10)			
111	45020010	FAN SWITCH (M5, M6, M10)			
121	45031158	KNOB ASSY (M5, M6, M10)			
131	20161163	OVERLAY (M5, M6, M10)			
141	20161612	CONTROL DOOR (M5, M6, M10)			
151	111216042	FILTER (M5, M6, M10)			

Expanded Model Nomenclature

M1 - AE093A35MA
M2 - AE093B35MB
M3 - AE123A35MA
M4 - AE123B35MB
M5 - AE183A35MA
M6 - AE183B35MB
M7 - AH093A35MA
M8 - AH123A35MA
M9 - AH123A35MC
M10 - AH183A35MA

Blower/Fan Assy



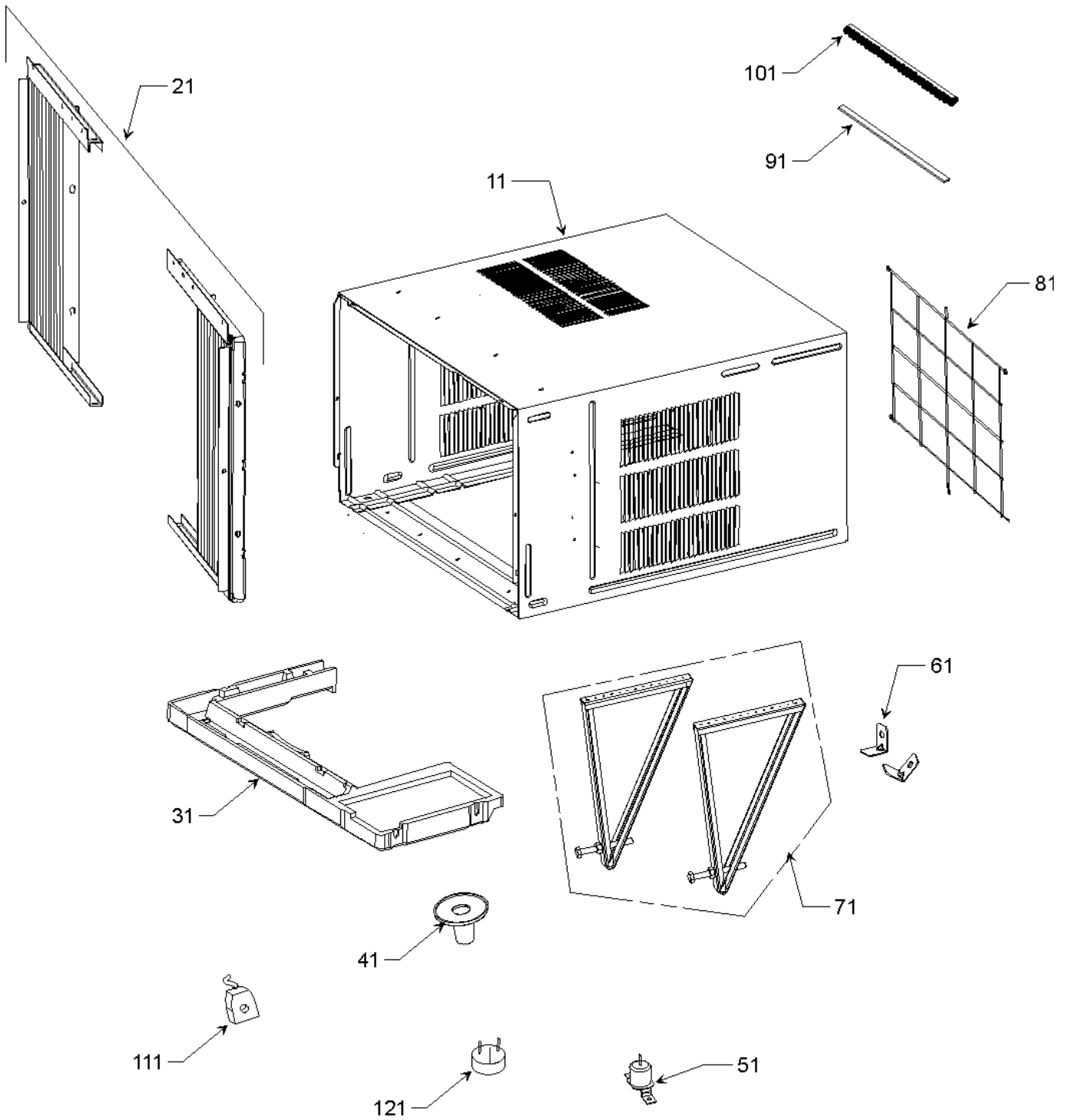
Blower/Fan Assy

Ref. Part No:	No:	Description:	Ref. Part No:	No:	Description:
<i>Image 1:</i>					
11	01251206	TOP COVER (M5, M10)			
11	01251503	TOP COVER (M6)			
21	10331155	FAN BLADE (M5, M10)			
21	10331601	FAN BLADE (M6)			
31	01231502	CONDENSER SHROUD (M5, M6)			
31	01231701	CONDENSER SHROUD (M10)			
41	01701604	BLOWER MOTOR SUPPORT (M10)			
51	01701605	BLOWER BRACKET (M5, M6, M10)			
61	150116061	BLOWER MOTOR CJ100B (M5, M6)			
61	150116034	BLOWER MOTOR CJ190F (M10)			
71	01231607	PARTITION PANEL (M5, M6)			
71	01231805	PARTITION PANEL (M10)			
81	12101023	BLOWER SHROUD (M5, M10)			
81	12101602	BLOWER SHROUD (M6)			
91	12311601	LOUVER MOTOR SUPPORT (M5, M6, M10)			
101	15211006	LOUVER MOTOR SM020B (M5, M6, M10)			
111	103115011	BLOWER WHEEL (M5, M6)			
111	103116022	BLOWER WHEEL (M10)			
121	01231026	HEATER SHIELD (M5, M6, M10)			
131	32001016	ELECTRIC HEATER (M5, M6, M10)			
141	01221602	BASE PLATE VENT (M5, M6, M10)			

Expanded Model Nomenclature

M1 - AE093A35MA
M2 - AE093B35MB
M3 - AE123A35MA
M4 - AE123B35MB
M5 - AE183A35MA
M6 - AE183B35MB
M7 - AH093A35MA
M8 - AH123A35MA
M9 - AH123A35MC
M10 - AH183A35MA

Miscellaneous



Miscellaneous

Ref. Part No:	Part No:	Description:	Ref. Part No:	Part No:	Description:
---------------	----------	--------------	---------------	----------	--------------

Image 1:

11	01431033	OUTERCASE (M5, M6)
11	01431034	OUTERCASE (M10)
21	22411702	CURTAIN ASSY (M5, M6, M10)
31	12411007	DRAIN PAN (M5, M6, M10)
41	06121350	DRAIN CUP (M5, M6, M10)
51	07100164	DRAIN VALVE (M10)
61	02111151	WINDOW ANGLE BRACKET ASSY (M5, M6, M10)
71	01331174	SUPPORT ASSY (M5, M6, M10)
81	01471001	GRILLE (M5, M6, M10)
91	12121158	SEAL STRIP 2 (M5, M6, M10)
101	12121157	SEAL STRIP 1 (M5, M6, M10)
111	43000401	SOLENOID (M10)
121	00180091	OVERLOAD PROTECTOR (M5, M6)

Expanded Model Nomenclature

M1 - AE093A35MA
M2 - AE093B35MB
M3 - AE123A35MA
M4 - AE123B35MB
M5 - AE183A35MA
M6 - AE183B35MB
M7 - AH093A35MA
M8 - AH123A35MA
M9 - AH123A35MC
M10 - AH183A35MA

