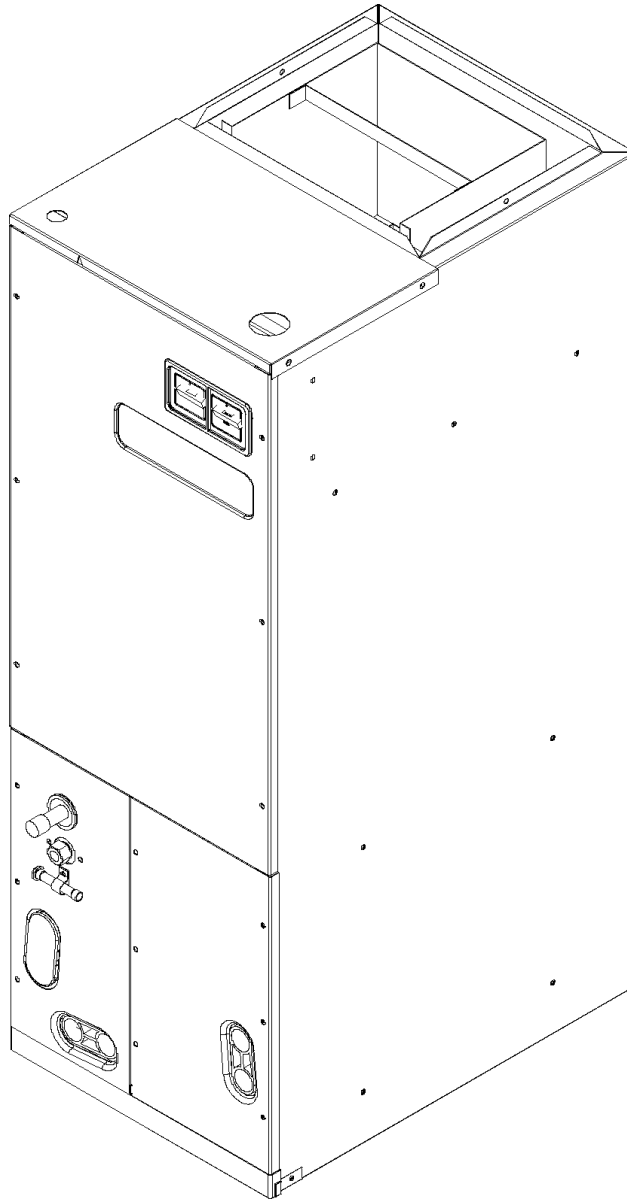


AER SERIES Variable Speed AIR HANDLERS (Cool Only)

AER24-1
AER30-1
AER36-1
AER48-1
AER60-1



This manual is to be used by qualified technicians only.

© 2002-2008 Goodman Manufacturing Company, L.P. ♦ 5151 San Felipe, Suite 500 ♦ Houston, TX 77056

Important Information

Index

Functional Parts List	3
Illustration and Parts	4 - 5

Views shown are for parts illustrations only, not servicing procedures.

Text Codes:

AR - As Required

NA - Not Available

NS - Not Shown

00000000 - See Note

QTY - Quantity Example (QTY 3) (If Quantity not shown, Quantity = 1)

M - Model Example (M1) (If M Code not shown, then part is used on all Models)

Expanded Model Nomenclature:

Example M1 - Model#1 M2 - Model#2 M3 - Model#3

Goodman Manufacturing Company, L.P. is not responsible for personal injury or property damage resulting from improper service. Review all service information before beginning repairs.

Warranty service must be performed by an authorized technician, using authorized factory parts. If service is required after the warranty expires, Goodman Manufacturing Company, L.P. also recommends contacting an authorized technician and using authorized factory parts.

Goodman Manufacturing Company, L.P. reserves the right to discontinue, or change at any time, specifications or designs without notice or without incurring obligations.

For assistance within the U.S.A. contact:
Consumer Affairs Department
Goodman Manufacturing Company, L.P.
7401 Security Way
Houston, Texas 77040
877-254-4729-Telephone
713-863-2382-Facsimile

For assistance outside the U.S.A. contact:
International Division
Goodman Manufacturing Company, L.P.
7401 Security Way
Houston, Texas 77040
713-861-2500-Telephone
713-863-2382-Facsimile

Functional Parts

Part

No: Description:

PCBEM102S	ECM PRIMARY BOARD
B1368271	ECM SECONDARY BOARD
B13400702ABS	MOTOR, VARIABLE SPEED 1/2 HP (M1, M2)
B13400704ABS	MOTOR, VARIABLE SPEED 3/4 HP (M3, M4, M5)
B1141643	TRANSFORMER 208/230, 24V

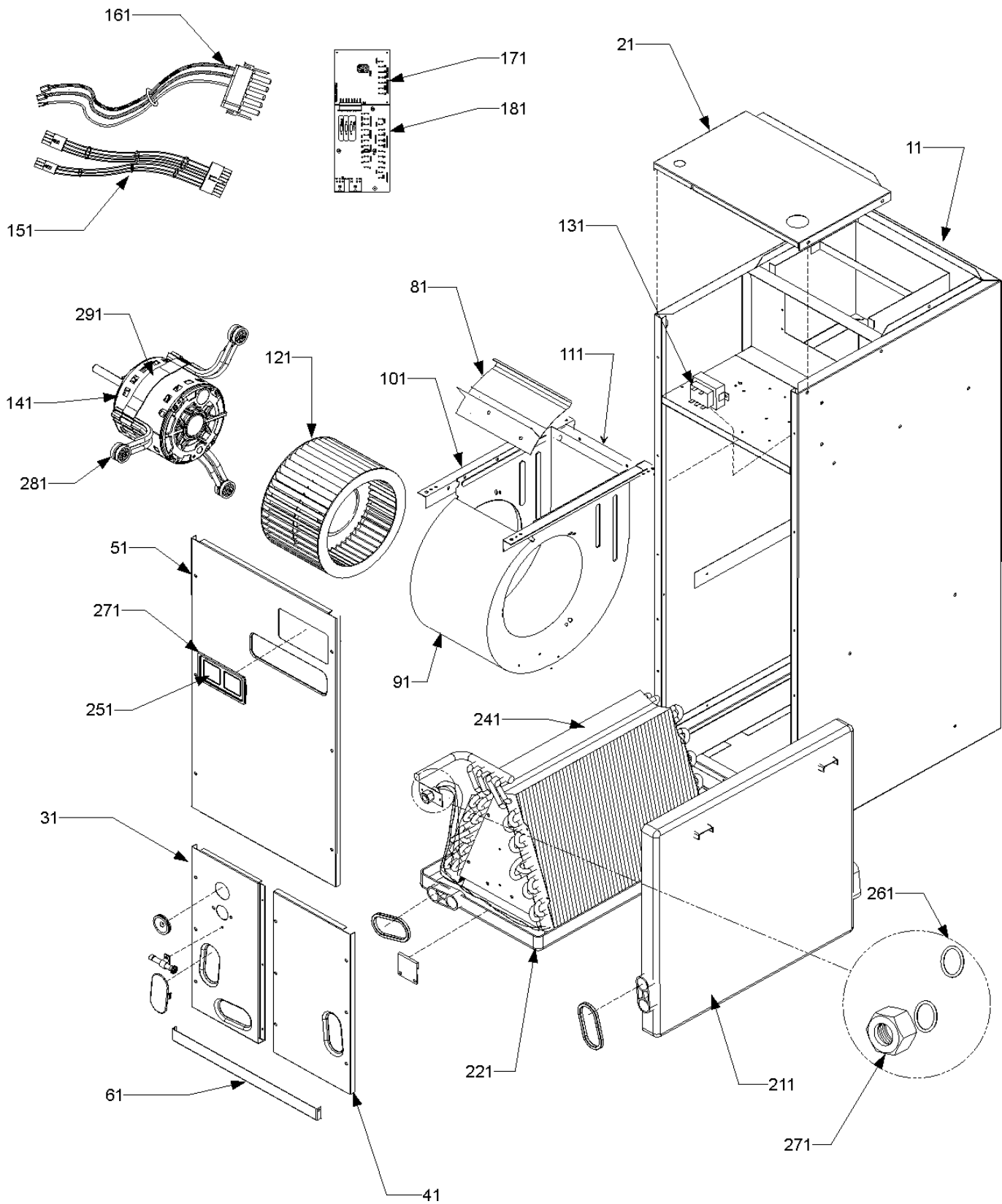
SPECIAL PARTS

IO-217B	INSTALLATION INSTRUCTIONS
PKC-0AB	PISTON KIT CHART
RP-276	REPAIR PARTS MANUAL
IO-616	SUPPLEMENTAL INSTRUCTIONS

Expanded Model Nomenclature

M1 - AER24-1
M2 - AER30-1
M3 - AER36-1
M4 - AER48-1
M5 - AER60-1

Replacement Parts List



Replacement Parts List

Ref. Part No:	Part No:	Description:	Ref. Part No:	Part No:	Description:					
<i>Image 1:</i>			NS	B2413668B	FLOWRATOR (M2)					
11	1721120	WRAPPER ASSY LRG (M3, M4, M5)	NS	B2413674B	FLOWRATOR (M3)					
11	1721119	WRAPPER ASSY MED (M1, M2)	NS	B2413882B	FLOWRATOR (M4)					
21	1721926P	UPPER TIE PLATE (M1, M2)	NS	B2413890B	FLOWRATOR .090 (M5)					
21	1721930P	UPPER TIE PLATE (M3, M4, M5)	Expanded Model Nomenclature							
31	1722075P	LOWER ACCESS PANEL (M1, M2)	<table border="1"> <tr><td>M1 - AER24-1</td></tr> <tr><td>M2 - AER30-1</td></tr> <tr><td>M3 - AER36-1</td></tr> <tr><td>M4 - AER48-1</td></tr> <tr><td>M5 - AER60-1</td></tr> </table>			M1 - AER24-1	M2 - AER30-1	M3 - AER36-1	M4 - AER48-1	M5 - AER60-1
M1 - AER24-1										
M2 - AER30-1										
M3 - AER36-1										
M4 - AER48-1										
M5 - AER60-1										
31	1722076P	LOWER ACCESS PANEL (M3, M4, M5)								
41	1722068P	LOWER SERVICE PANEL (M1, M2)								
41	1722069P	LOWER SERVICE PANEL (M3, M4, M5)								
51	1722063P	UPPER ACCESS PANEL (M1, M2)								
51	1722066P	UPPER ACCESS PANEL (M3, M4, M5)								
61	1722087PDG	FILTER COVER LRG (M3, M4, M5)								
61	1722071P	FILTER COVER MED (M1, M2)								
81	764734F	BLOWER CUT-OFF (M1, M2)								
81	1864700	BLOWER CUT-OFF 10 X 10 (M3, M4, M5)								
81	1824004	BLOWER CUT-OFF 11 & 10 X 10 (M3, M4, M5)								
91	1439397S	BLOWER HOUSING (M3, M4, M5)								
91	1439392S	BLOWER HOUSING 9 X 8 (M1, M2)								
101	0121A00027	BLOWER MOUNTING ANGLE (QTY 2)								
111	7682176	BLOWER MOUNTING ANGLE								
121	B1368048S	BLOWER WHEEL 10 X 10 (M3, M4, M5)								
121	B1368037S	BLOWER WHEEL 9 X 8 (M1, M2)								
131	B1141643	TRANSFORMER 208/230, 24V								
141	B13400702ABS	MOTOR, VARIABLE SPEED 1/2 HP (M1, M2)								
141	B13400704ABS	MOTOR, VARIABLE SPEED 3/4 HP (M3, M4, M5)								
151	B1378700	WIRE HARNESS, LOW VOLTAGE (16-PIN ECM)								
161	B1378701	WIRE HARNESS, HIGH VOLTAGE (5-PIN ECM)								
171	B1368271	ECM SECONDARY BOARD								
181	PCBEM102S	ECM PRIMARY BOARD								
211	B1756022L	PLASTIC DRAIN PAN (HORIZONTAL) (M1, M2)								
211	B1756028L	PLASTIC DRAIN PAN (HORIZONTAL) (M3, M4, M5)								
221	B1756017L	PLASTIC DRAIN PAN (VERTICAL) (M1, M2)								
221	B1756020L	PLASTIC DRAIN PAN (VERTICAL) (M3, M4, M5)								
241	P140142	COIL PAN ASSY (M1, M2)								
241	P140149	COIL PAN ASSY (M3)								
241	P140161	COIL PAN ASSY (M4, M5)								
251	B1392641	PLASTIC CIRCUIT BREAKER INSERT								
261	B1796631	TEFLON SEAL (20 IN A PACK)								
271	B1796632	TEFLON AND NUT ASSY								
281	B1376853	MOTOR MOUNT ARM (M3, M4, M5)								
281	B1376861	MOTOR MOUNT ARM (M1, M2)								
291	0121M00038	MOTOR MOUNT BAND								
NS	1721918	BOTTOM TIE LRG (M3, M4, M5)								
NS	1721917	BOTTOM TIE MED (M1, M2)								
NS	B2413662B	FLOWRATOR (M1)								

