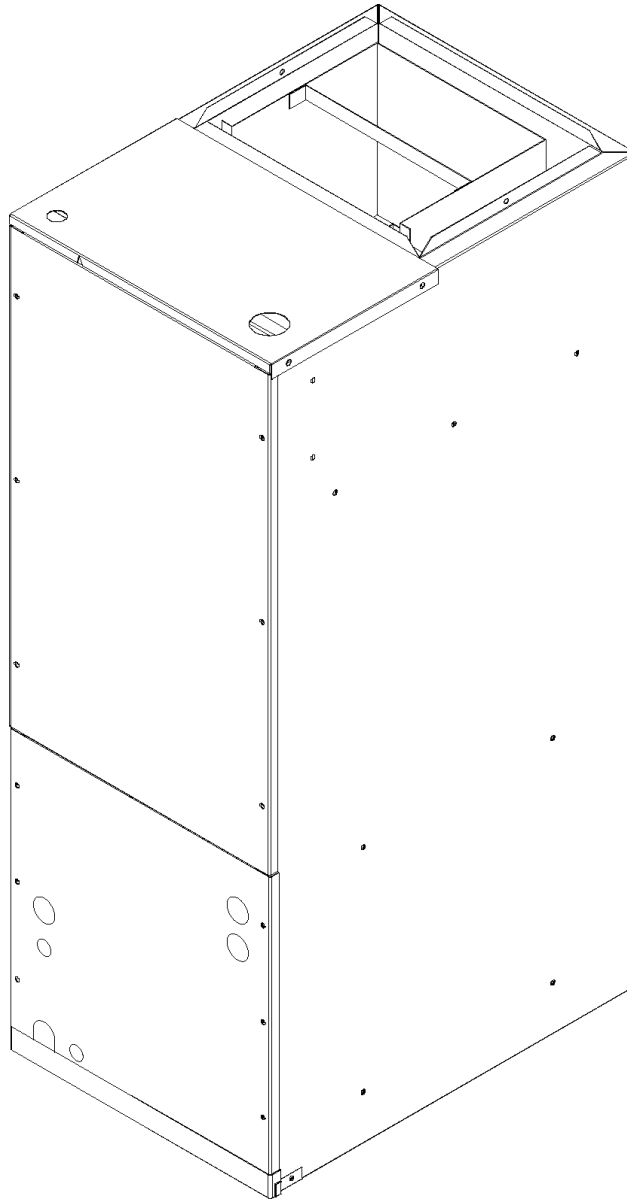


AE SERIES Air Handler w/Coil

AE24-05A
AE24-08A
AE24-10A
AE30-05A
AE30-08A
AE30-10A
AE36-08A
AE36-10A
AE36-15A
AE48-10A
AE48-15A
AE60-10A
AE60-15A
AE60-20A



This manual is to be used by qualified technicians only.

© 1996-2008 Goodman Manufacturing Company, L.P. ♦ 5151 San Felipe, Suite 500 ♦ Houston, TX 77056

Important Information

Index

Functional Parts List	3
Illustration and Parts	4 - 5

Views shown are for parts illustrations only, not servicing procedures.

Text Codes:

AR - As Required

NA - Not Available

NS - Not Shown

00000000 - See Note

QTY - Quantity Example (QTY 3) (If Quantity not shown, Quantity = 1)

M - Model Example (M1) (If M Code not shown, then part is used on all Models)

Expanded Model Nomenclature:

Example M1 - Model#1 M2 - Model#2 M3 - Model#3

Goodman Manufacturing Company, L.P. is not responsible for personal injury or property damage resulting from improper service. Review all service information before beginning repairs.

Warranty service must be performed by an authorized technician, using authorized factory parts. If service is required after the warranty expires, Goodman Manufacturing Company, L.P. also recommends contacting an authorized technician and using authorized factory parts.

Goodman Manufacturing Company, L.P. reserves the right to discontinue, or change at any time, specifications or designs without notice or without incurring obligations.

For assistance within the U.S.A. contact:
Consumer Affairs Department
Goodman Manufacturing Company, L.P.
7401 Security Way
Houston, Texas 77040
877-254-4729-Telephone
713-863-2382-Facsimile

For assistance outside the U.S.A. contact:
International Division
Goodman Manufacturing Company, L.P.
7401 Security Way
Houston, Texas 77040
713-861-2500-Telephone
713-863-2382-Facsimile

Functional Parts

Part

No: Description:

CBK2PD240VA030S	CIRCUIT BREAKER 30 AMP (GE) (M1, M4, M9, M11, M13)
CBK2PD240VA040S	CIRCUIT BREAKER 40 AMP (GE) (M2, M5, M7)
CBK2PD240VA060S	CIRCUIT BREAKER 60 AMP (GE) (M3, M6, M8, M9, M10, M11, M12, M13, M14)
PCBEM102S	ECM PRIMARY BOARD
B1368271	ECM SECONDARY BOARD
B1037488S	HEAT ELEMENT W/SWITCH 10KW (M3, M6, M8, M10, M12)
B1037489S	HEAT ELEMENT W/SWITCH 15KW (M9, M11, M13, M14)
B1037485S	HEAT ELEMENT W/SWITCH 5KW (M1, M4, M14)
B1037487S	HEAT ELEMENT W/SWITCH 8KW (M2, M5, M7)
B13400702ABS	MOTOR, VARIABLE SPEED 3/4 HP
B1141643	TRANSFORMER 208/230, 24V

SPECIAL PARTS

IO-161B	INSTALLATION INSTRUCTIONS
PKC-0AB	PISTON KIT CHART
RP-214	REPAIR PARTS MANUAL

Expanded Model Nomenclature

M1 - AE24-05A
M2 - AE24-08A
M3 - AE24-10A
M4 - AE30-05A
M5 - AE30-08A
M6 - AE30-10A
M7 - AE36-08A
M8 - AE36-10A
M9 - AE36-15A
M10 - AE48-10A
M11 - AE48-15A
M12 - AE60-10A
M13 - AE60-15A
M14 - AE60-20A

Replacement Parts List

Ref. Part No:	Ref. Part No:	Description:	Description:
<i>Image 1:</i>			
21	1721116	WRAPPER (M1, M2, M3, M4, M5, M6)	191 B1755920H VERTICAL/DOWNFLOW DRAIN PAN ASSY (M7, M8, M9, M10, M11, M12, M13, M14)
21	1721117	WRAPPER (M7, M8, M9, M10, M11, M12, M13, M14)	201 1439397S BLOWER HOUSING (M7, M8, M9, M10, M11, M12, M13, M14)
31	1721913	BOTTOM TIE CHANNEL (M1, M2, M3, M4, M5, M6)	201 1439392S BLOWER HOUSING 9 X 8 (M1, M2, M3, M4, M5, M6)
31	1721914	BOTTOM TIE CHANNEL (M7, M8, M9, M10, M11, M12, M13, M14)	211 B1755930L HORIZONTAL DRAIN PAN ASSY (M1, M2, M3, M4, M5, M6)
41	1721908	UPPER TIE PLATE (M1, M2, M3, M4, M5, M6)	211 B1755931L HORIZONTAL DRAIN PAN ASSY (M7, M8, M9, M10, M11, M12, M13, M14)
41	1721909	UPPER TIE PLATE (M7, M8, M9, M10, M11, M12, M13, M14)	221 1722041 FILTER COVER (M1, M2, M3, M4, M5, M6)
51	1722056P	LOWER ACCESS PANEL (M1, M2, M3, M4, M5, M6)	221 1722042 FILTER COVER (M7, M8, M9, M10, M11, M12, M13, M14)
51	1722057P	LOWER ACCESS PANEL (M7, M8, M9, M10, M11, M12, M13, M14)	231 1495206 CIRCUIT BREAKER PLATE
61	1722006P	UPPER ACCESS PANEL (M1, M2, M3, M4, M5, M6)	241 0121M00038 MOTOR MOUNT BAND
61	1722023P	UPPER ACCESS PANEL (M7, M8, M9, M10, M11, M12, M13, M14)	251 B1376853 MOTOR MOUNT ARM (M7, M8, M9, M10, M11, M12, M13, M14)
71	B1037488S	HEAT ELEMENT W/SWITCH 10KW (M3, M6, M8, M10, M12)	251 B1376861 MOTOR MOUNT ARM (M1, M2, M3, M4, M5, M6)
71	B1037489S	HEAT ELEMENT W/SWITCH 15KW (M9, M11, M13, M14)	261 PCBEM102S ECM PRIMARY BOARD
71	B1037485S	HEAT ELEMENT W/SWITCH 5KW (M1, M4, M14)	271 B1368271 ECM SECONDARY BOARD
71	B1037487S	HEAT ELEMENT W/SWITCH 8KW (M2, M5, M7)	281 B1378700 WIRE HARNESS, LOW VOLTAGE (16-PIN ECM)
81	CBK2PD240VA030S	CIRCUIT BREAKER 30 AMP (GE) (M1, M4, M9, M11, M13)	291 B1378701 WIRE HARNESS, HIGH VOLTAGE (5-PIN ECM)
81	CBK2PD240VA040S	CIRCUIT BREAKER 40 AMP (GE) (M2, M5, M7)	NS 764734F BLOWER CUT-OFF (M1, M2, M3, M4, M5, M6)
81	CBK2PD240VA060S	CIRCUIT BREAKER 60 AMP (GE) (M3, M6, M8, M9, M10, M11, M12, M13, M14)	NS 1864700 BLOWER CUT-OFF 10 X 10 (M7, M8, M9, M10, M11, M12, M13, M14)
91	B1256553	SEQUENCER 12 -15 KW (M9, M11, M13)	NS 1824004 BLOWER CUT-OFF 11 & 10 X 10 (M7, M8, M9, M10, M11, M12, M13, M14)
91	B1256551	SEQUENCER 5 KW (M1, M4)	
91	B1256552	SEQUENCER 8 - 10 KW (M2, M3, M5, M6, M7, M8, M10, M12)	
91	B1256554	SEQUENCER A48/60 20 KW (M14)	
101	B1141643	TRANSFORMER 208/230, 24V	
131	B13400702ABS	MOTOR, VARIABLE SPEED 3/4 HP	
141	B1368048S	BLOWER WHEEL 10 X 10 (M7, M8, M9, M10, M11, M12, M13, M14)	
141	B1368037S	BLOWER WHEEL 9 X 8 (M1, M2, M3, M4, M5, M6)	
151	1717104	BLOWER MOUNTING ANGLE (QTY 2)	
161	1717103	BLOWER MOUNTING ANGLE	
171	P1400AE24L	COIL PAN ASSY (M1, M2, M3)	
171	P1400AE30L	COIL PAN ASSY (M4, M5, M6)	
171	P1400AE36L	COIL PAN ASSY (M7, M8, M9)	
171	P1400AE48L	COIL PAN ASSY (M10, M11)	
171	P1400AE60L	COIL PAN ASSY (M12, M13, M14)	
181	B1313662	FLOWRATOR .062 (M1, M2, M3)	
181	B1313668	FLOWRATOR .068 (M4, M5, M6)	
181	B1313674	FLOWRATOR .074 (M7, M8, M9)	
181	B1313882	FLOWRATOR .082 (M10, M11)	
181	B1313890	FLOWRATOR .090 (M12, M13, M14)	
191	B1755917H	VERTICAL/DOWNFLOW DRAIN PAN ASSY (M1, M2, M3, M4, M5, M6)	

Expanded Model Nomenclature

- M1 - AE24-05A
- M2 - AE24-08A
- M3 - AE24-10A
- M4 - AE30-05A
- M5 - AE30-08A
- M6 - AE30-10A
- M7 - AE36-08A
- M8 - AE36-10A
- M9 - AE36-15A
- M10 - AE48-10A
- M11 - AE48-15A
- M12 - AE60-10A
- M13 - AE60-15A
- M14 - AE60-20A

Effective April 1998: When ordering service coil pan assy, you must also order the lower access panel for the appropriate unit.

