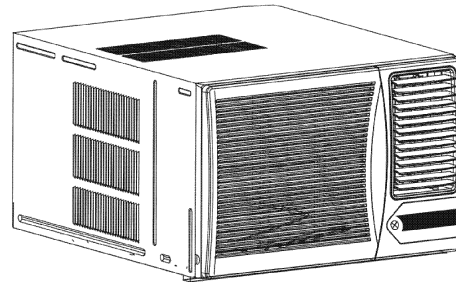
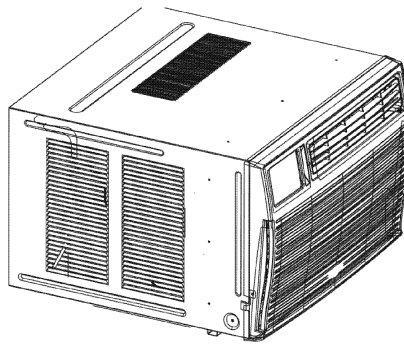


REPAIR PARTS

Room Air Conditioner and Heat Pump Units

AE093E35AXAA
AE123E35AXAA
AE183E35AXAA
AH093E35AXAA
AH123E35AXAA
AH183E35AXAA



This manual is to be used by qualified technicians only.

This manual replaces RP-608.

© 2010,2014-2015 Goodman Manufacturing Company, L.P. ♦ 5151 San Felipe St., Suite 500 ♦ Houston, TX 77056

Important Information

Index

Functional Parts List	3
Illustration and Parts	4 - 9

Views shown are for parts illustrations only, not servicing procedures

Rev A: correction to part list on page 8

Text Codes:

AR - As Required

NA - Not Available

NS - Not Shown

00000000 - See Note

QTY - Quantity Example (QTY 3) (If Quantity not shown, Quantity = 1)

M - Model Example (M1) (If M Code not shown, then part is used on all Models)

Expanded Model Nomenclature:

Example M1 - Model#1 M2 - Model#2 M3 - Model#3

Goodman Manufacturing Company, L.P. is not responsible for personal injury or property damage resulting from improper service. Review all service information before beginning repairs.

Warranty service must be performed by an authorized technician, using authorized factory parts. If service is required after the warranty expires, Goodman Manufacturing Company, L.P. also recommends contacting an authorized technician and using authorized factory parts.

Goodman Manufacturing Company, L.P. reserves the right to discontinue, or change at any time, specifications or designs without notice or without incurring obligations.

For assistance within the U.S.A. contact:
Consumer Affairs Department
Goodman Manufacturing Company, L.P.
7401 Security Way
Houston, Texas 77040
877-254-4729-Telephone
713-863-2382-Facsimile

For assistance outside the U.S.A. contact:
International Division
Goodman Manufacturing Company, L.P.
7401 Security Way
Houston, Texas 77040
713-861-2500-Telephone
713-863-2382-Facsimile

Functional Parts

Part

No: Description:

390000596	ABIEN TEMP SENSOR (M2, M3, M4, M5, M6)
39000191	AMBIENT TEMP SENSOR
39000206	AMBIENT TEMPERATURE SENSOR (M2, M3, M6)
390000451	AMBIENT TEMPERATURE SENSOR (M1, M5)
103115032	BLOWER WHEEL (M1, M4, M5)
103116024	BLOWER WHEEL (M2, M3, M6)
33030013	CAPACITOR (M2, M3, M6)
33010009	CAPACITOR CBB61 (M2, M3, M6)
33010011	CAPACITOR CBB61 (M1, M4, M5)
33010743	CAPACITOR CBB65 (M1, M2, M3, M5, M6)
33000017	CAPACITOR CBB65 (M1, M4)
32001016	ELECTRIC HEATER (M1, M4, M5)
320010161	ELECTRIC HEATER (M2, M3, M6)
10331601	FAN BLADE (M3, M6)
10331155	FAN BLADE (M1, M2, M4, M5)
150116034	FAN MOTOR (M6)
15211006	FAN MOTOR (M2, M3, M6)
150110432	FAN MOTOR (M1, M4, M5)
150116061	FAN MOTOR (M2, M3)
46010055	FUSE
30132029	MAIN BOARD (M3)
30132033	MAIN BOARD (M4, M5)
30132032	MAIN BOARD (M1, M2)
30132030	MAIN BOARD (M6)
400203743	POWER CORD (M1, M4, M5)
40020379	POWER CORD (M2, M3, M6)
44020331	RELAY
44020382	RELAY (M1, M4, M5)
44020413	RELAY (M2, M3, M6)
4300040041	SOLENOID COIL (M4, M5, M6)
42011103	TERMINAL BOARD
43110258	TRANSFORMER

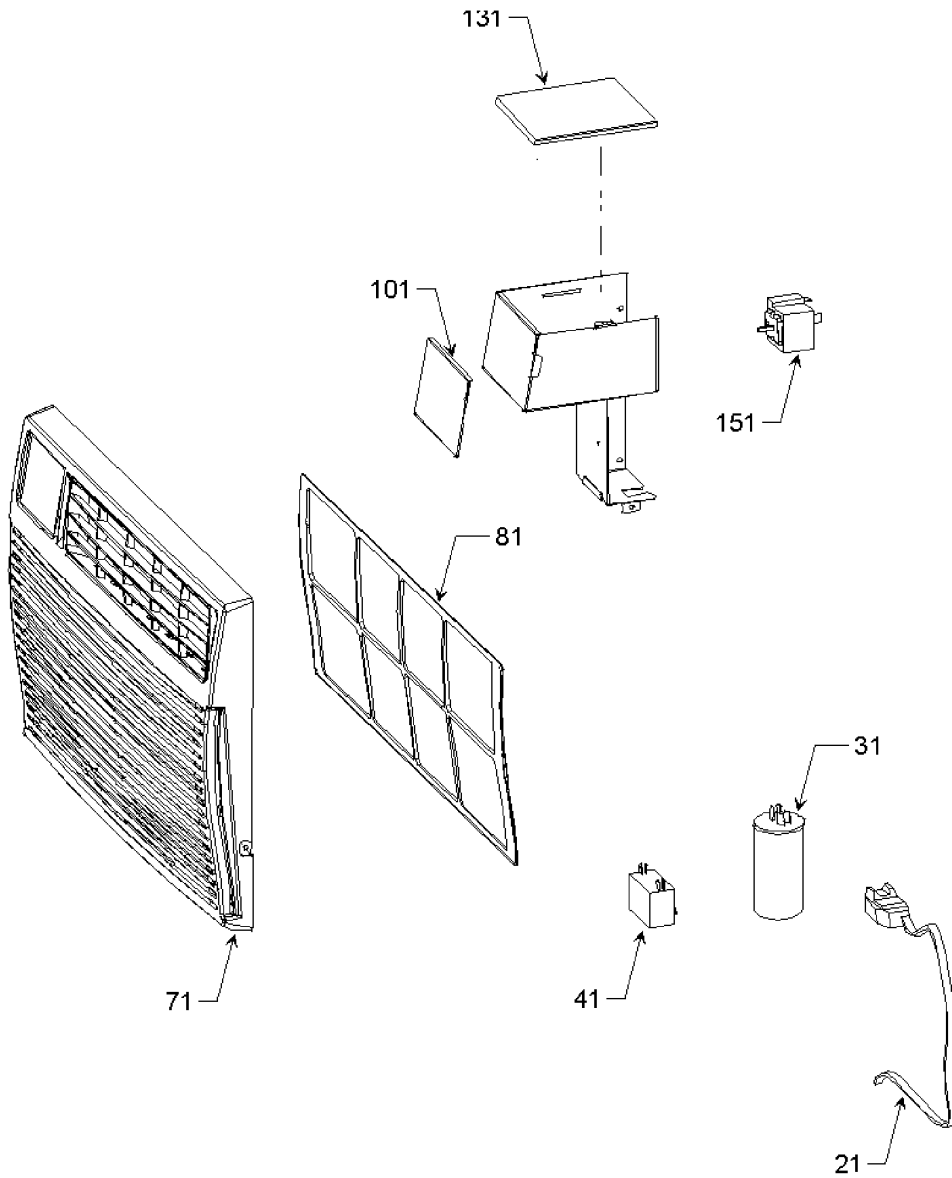
SPECIAL PARTS

305150391	REMOTE CONTROL
-----------	----------------

Expanded Model Nomenclature

M1 - AE093E35AXAA
M2 - AE123E35AXAA
M3 - AE183E35AXAA
M4 - AH093E35AXAA
M5 - AH123E35AXAA
M6 - AH183E35AXAA

Front / Control Box Assy



Front / Control Box Assy

Ref. Part No: No:	Description:	Ref. Part No: No:	Description:
-------------------	--------------	-------------------	--------------

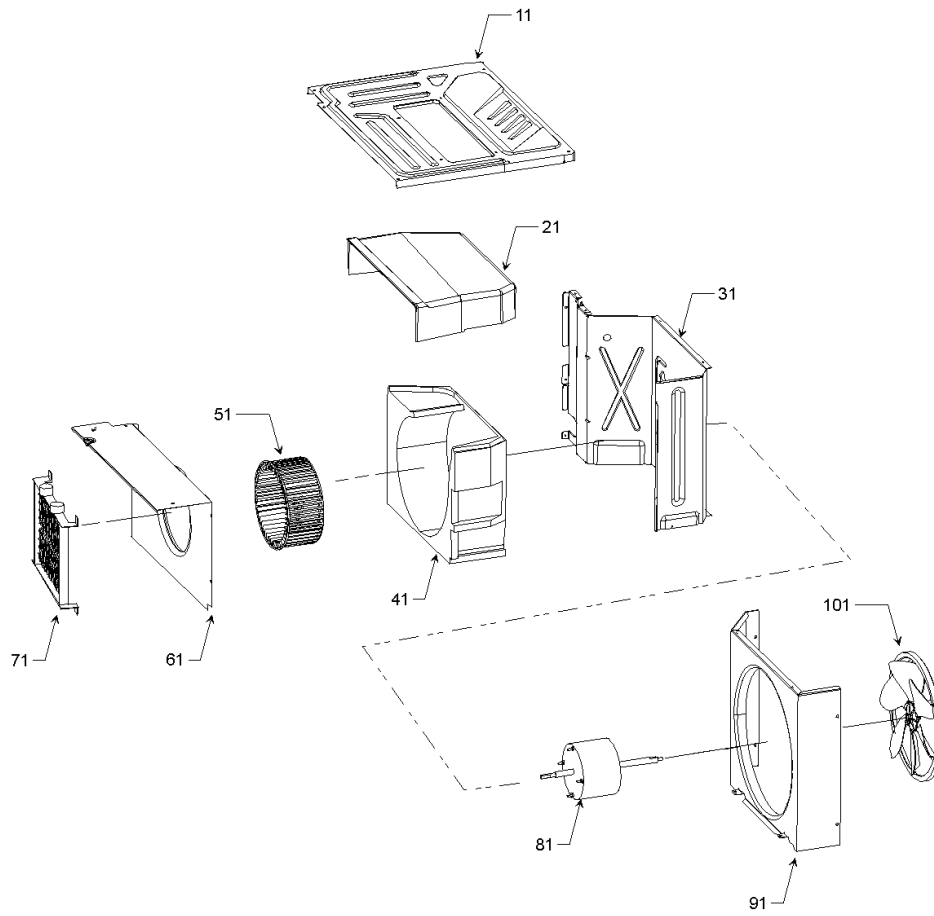
Image 1:

21	400203743	POWER CORD (M1, M4, M5)
21	40020379	POWER CORD (M2, M3, M6)
31	33030013	CAPACITOR (M2, M3, M6)
31	33010009	CAPACITOR CBB61 (M2, M3, M6)
31	33010011	CAPACITOR CBB61 (M1, M4, M5)
31	33000017	CAPACITOR CBB65 (M1, M4)
31	33010743	CAPACITOR CBB65 (M1, M2, M3, M5, M6)
41	44020331	RELAY
41	44020382	RELAY (M1, M4, M5)
41	44020413	RELAY (M2, M3, M6)
71	20001025	FRONT PANEL ASSY (M3, M6)
71	20001284	FRONT PANEL ASSY (M1, M2, M4, M5)
81	11121012	FILTER SUB ASSY (M1, M4, M5)
81	111216042	FILTER SUB ASSY (M2, M3, M6)
101	30562020	DISPLAY BOARD (M1, M2)
101	30562021	DISPLAY BOARD (M3)
101	30562022	DISPLAY BOARD (M4, M5)
101	30562023	DISPLAY BOARD (M6)
131	30132029	MAIN BOARD (M3)
131	30132030	MAIN BOARD (M6)
131	30132032	MAIN BOARD (M1, M2)
131	30132033	MAIN BOARD (M4, M5)
151	43110258	TRANSFORMER
NS	390000596	ABIENT TEMP SENSOR (M2, M3, M4, M5, M6)
NS	3621529	AIR INLET (M1, M4)
NS	3631463	AIR INLET (M2, M3, M5, M6)
NS	39000191	AMBIENT TEMP SENSOR
NS	390000451	AMBIENT TEMPERATURE SENSOR (M1, M5)
NS	39000206	AMBIENT TEMPERATURE SENSOR (M2, M3, M6)
NS	46010055	FUSE
NS	20121223	LCD COVER (M1, M4, M5)
NS	63029900271	MEMBRANE (M2, M3, M6)
NS	63061113	MEMBRANE (M1, M4, M5)
NS	305150391	REMOTE CONTROL
NS	42011103	TERMINAL BOARD

Expanded Model Nomenclature

- | |
|-------------------|
| M1 - AE093E35AXAA |
| M2 - AE123E35AXAA |
| M3 - AE183E35AXAA |
| M4 - AH093E35AXAA |
| M5 - AH123E35AXAA |
| M6 - AH183E35AXAA |

Blower / Fan Assy



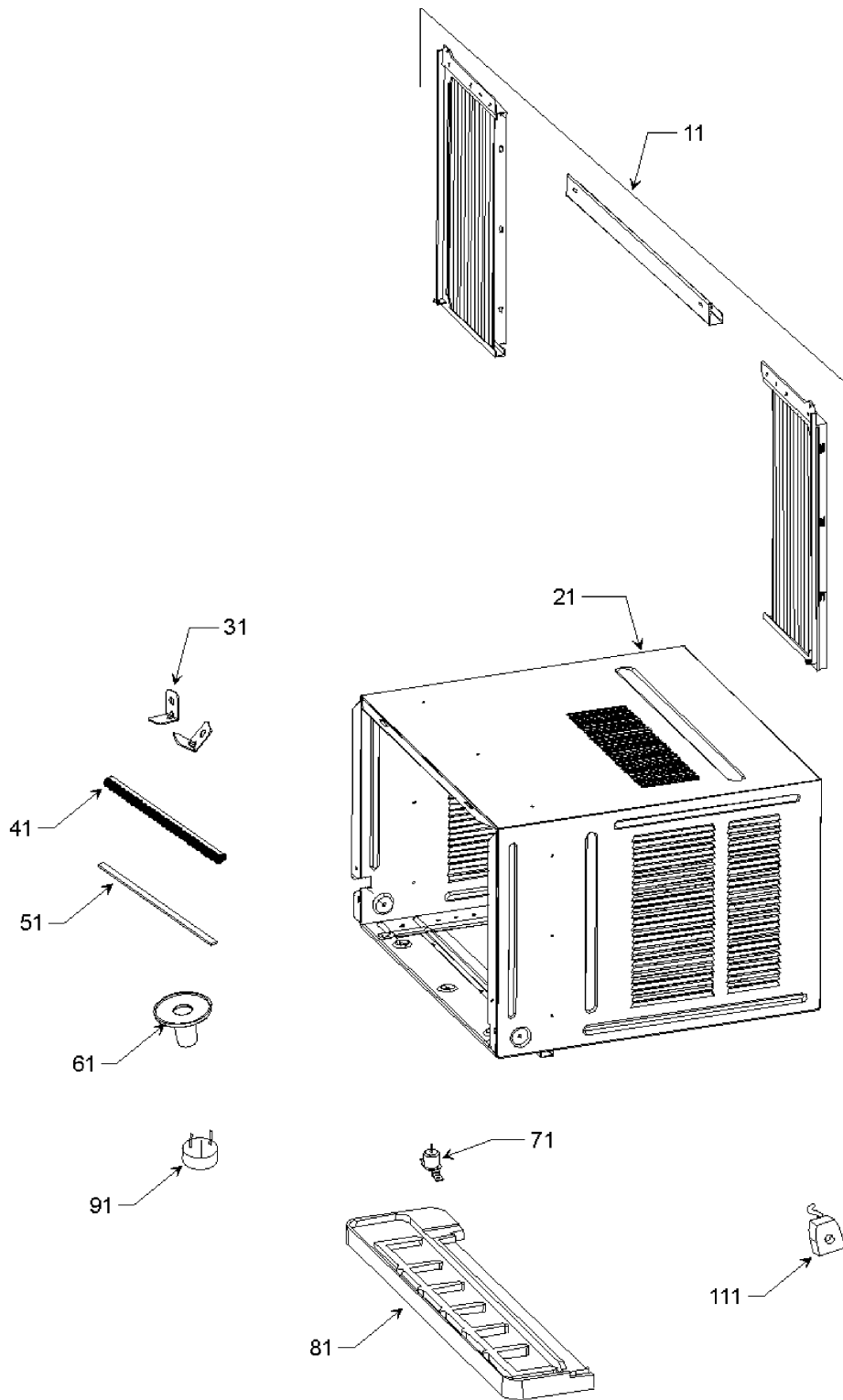
Blower / Fan Assy

Ref. Part No:	No:	Description:	Ref. Part No:	No:	Description:
<i>Image 1:</i>					
11	1251017	TOP COVER (M2, M3)			
11	1251018	TOP COVER (M6)			
11	1251021	TOP COVER (M4, M5)			
11	1251206	TOP COVER (M1)			
21	12101155	BLOWER SHROUD (M1, M2, M4, M5)			
31	1231026	PARTITION PANEL (M2, M3, M6)			
31	1231027	PARTITION PANEL (M1, M4, M5)			
31	123160801	PARTITION PANEL (M2, M3)			
31	12318052	Partition Panel (M3, M6)			
41	12101207	BLOWER SHROUD (M1, M4, M5)			
41	12101602	BLOWER SHROUD (M2, M3, M6)			
51	103115032	BLOWER WHEEL (M1, M4, M5)			
51	103116024	BLOWER WHEEL (M2, M3, M6)			
71	32001016	ELECTRIC HEATER (M1, M4, M5)			
71	320010161	ELECTRIC HEATER (M2, M3, M6)			
81	150110432	FAN MOTOR (M1, M4, M5)			
81	150116034	FAN MOTOR (M6)			
81	150116061	FAN MOTOR (M2, M3)			
81	15211006	FAN MOTOR (M2, M3, M6)			
91	1231013	CONDENSOR SHROUD (M1, M4, M5)			
91	1231502	CONDENSOR SHROUD (M2, M3)			
91	1231701	CONDENSOR SHROUD (M6)			
101	10331155	FAN BLADE (M1, M2, M4, M5)			
101	10331601	FAN BLADE (M3, M6)			

Expanded Model Nomenclature

M1 - AE093E35AXAA
M2 - AE123E35AXAA
M3 - AE183E35AXAA
M4 - AH093E35AXAA
M5 - AH123E35AXAA
M6 - AH183E35AXAA

Miscellaneous



Miscellaneous

Ref. Part No:	No:	Description:	Ref. Part No:	No:	Description:
<i>Image 1:</i>					
11	22411007	CURTAIN ASSY (M1, M4, M5)			
11	22411702	CURTAIN ASSY (M2, M3, M6)			
21	1431033	OUTER CASE (M2, M3)			
21	1431034	OUTER CASE (M6)			
21	1431035	OUTER CASE (M1, M4, M5)			
31	12311504	DRAIN PAN			
41	6121350	DRAIN CUP			
41	7100164	DRAINAGE VALVE			
111	4300040041	SOLENOID COIL (M4, M5, M6)			

Expanded Model Nomenclature

M1 - AE093E35AXAA
M2 - AE123E35AXAA
M3 - AE183E35AXAA
M4 - AH093E35AXAA
M5 - AH123E35AXAA
M6 - AH183E35AXAA