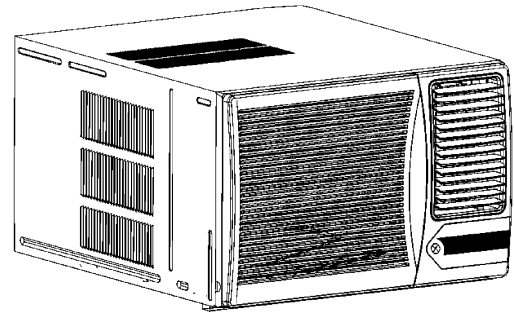
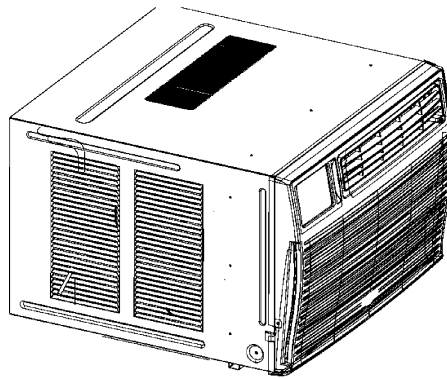


# REPAIR PARTS

---

## AE/AH "G" Room Air Conditioner / Heat Pump

AE093G35AXAA  
AE123G35AXAA  
AE183G35AXAA  
AH093G35AXAA  
AH123G35AXAA  
AH183G35AXAA



This manual is to be used by qualified technicians only.

© 2014 , 2017 Goodman Manufacturing Company, L.P. ♦ 5151 San Felipe St., Suite 500 ♦ Houston, TX 77056

# Important Information

---

## Index

Functional Parts List .....	3
Illustration and Parts .....	4 - 9

*Views shown are for parts illustrations only, not servicing procedures*

GREE Room Air Conditioners

### Text Codes:

AR - As Required

NA - Not Available

NS - Not Shown

00000000 - See Note

QTY - Quantity Example (QTY 3) (If Quantity not shown, Quantity = 1)

M - Model Example (M1) (If M Code not shown, then part is used on all Models)

### Expanded Model Nomenclature:

Example M1 - Model#1 M2 - Model#2 M3 - Model#3
---

Goodman Manufacturing Company, L.P. is not responsible for personal injury or property damage resulting from improper service. Review all service information before beginning repairs.

Warranty service must be performed by an authorized technician, using authorized factory parts. If service is required after the warranty expires, Goodman Manufacturing Company, L.P. also recommends contacting an authorized technician and using authorized factory parts.

Goodman Manufacturing Company, L.P. reserves the right to discontinue, or change at any time, specifications or designs without notice or without incurring obligations.

For assistance within the U.S.A. contact:  
Homeowner Support  
Goodman Manufacturing Company, L.P.  
19001 Kermier Road  
Waller, Texas 77484  
877-254-4729-Telephone  
713-863-2382-Facsimile

For assistance outside the U.S.A. contact:  
International Division  
Goodman Manufacturing Company, L.P.  
19001 Kermier Road  
Waller, Texas 77484  
713-861-2500-Telephone  
713-863-2382-Facsimile

# Functional Parts

## Part

## No: Description:

---

390002061	Ambient Temperature Sensor (M3, M6)
39000206	Ambient Temperature Sensor (M2, M4, M5)
103115032	BLOWER WHEEL (M1, M2, M4, M5)
103116024	BLOWER WHEEL (M3, M6)
3301074708	Capacitor CBB61S (M3, M6)
3301074714	Capacitor CBB61S (M1, M2, M4, M5)
33000045	Capacitor CBB65 (M3, M6)
3300008101	Capacitor CBB65 (M5)
33000081	Capacitor CBB65 (M1, M2, M4)
33030013	Capacitor XY (M3, M6)
32001016	Electric Heater (M1, M2, M4, M5)
320010161	Electric Heater (M3, M6)
10331163	FAN BLADE (M3, M6)
10331155	FAN BLADE (M1, M2, M4, M5)
150110435	Fan Motor (M1, M2, M4, M5)
1501105804	Fan Motor (M3, M6)
30132196	Main Board (M4, M5)
30132195	Main Board (M6)
30132191	Main Board (M1, M2)
30132190	Main Board (M3)
4002038058	Pwer cord (LCDI) (M1, M2, M4, M5)
4002037950	Pwer cord (LCDI) (M3, M6)
39000191	Room Sensor
4300040047	SOLENOID COIL (M4, M5)
430004017	SOLENOID COIL (M6)
390000596	Temperature Sensor (M1, M3, M5, M6)
42011103	Terminal Board
43110258	Transformer

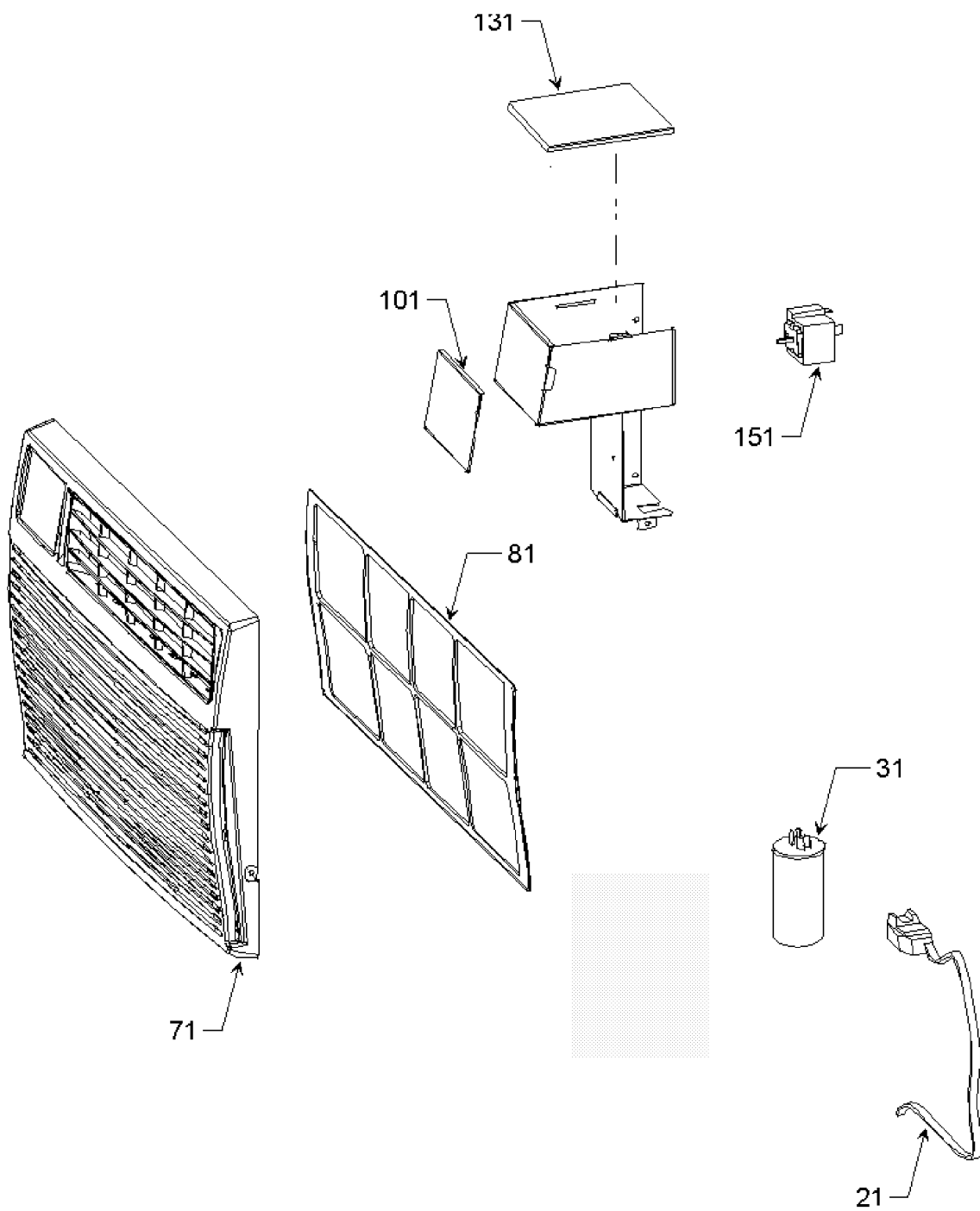
### SPECIAL PARTS

30510142_L19569	Remote Controller (M1, M2, M4, M5)
30510142_115152	Remote Controller (M3, M6)

### Expanded Model Nomenclature

M1 - AE093G35AXAA
M2 - AE123G35AXAA
M3 - AE183G35AXAA
M4 - AH093G35AXAA
M5 - AH123G35AXAA
M6 - AH183G35AXAA

# Front / Control Box Assy



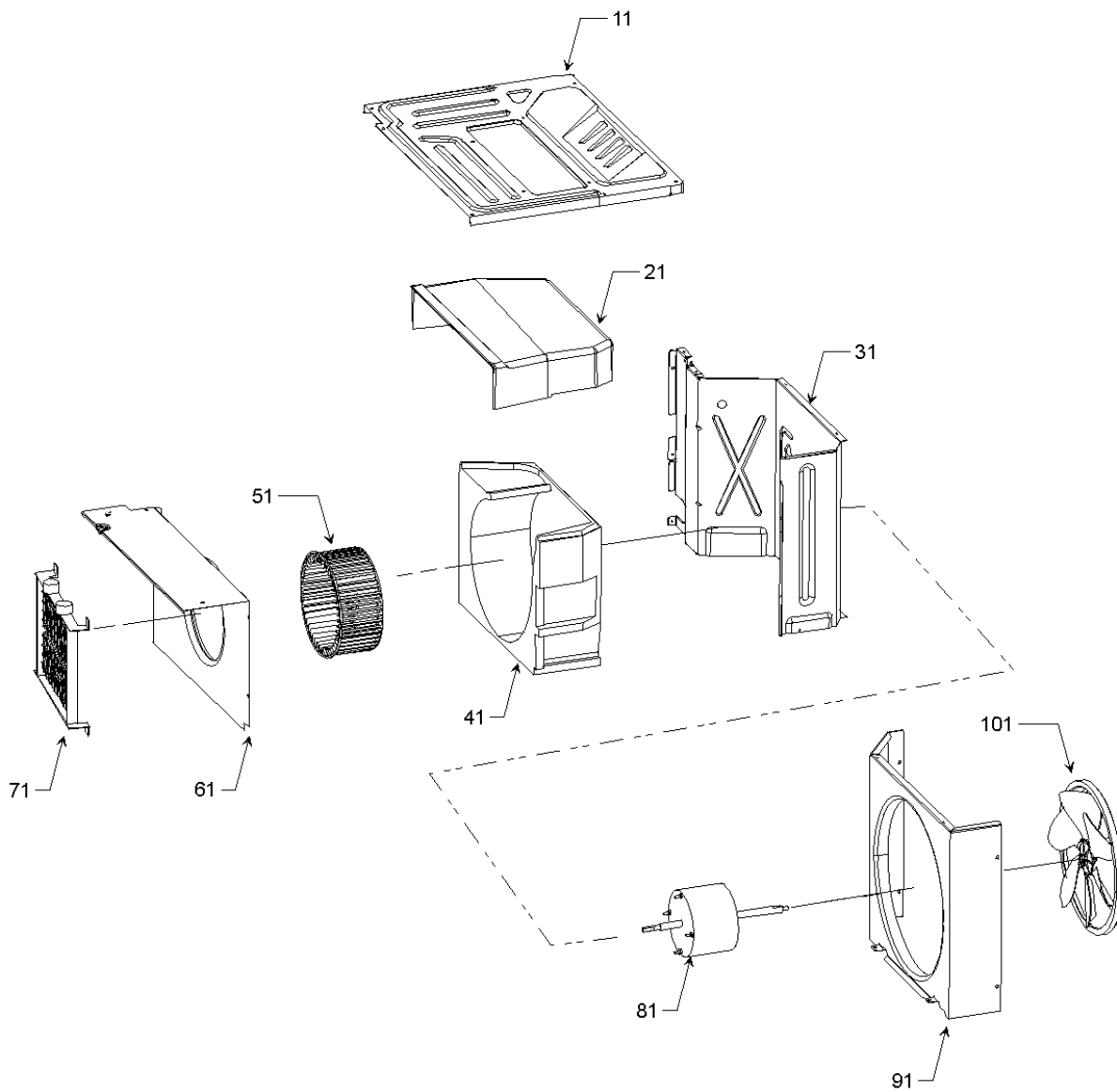
# Front / Control Box Assy

Ref. Part No:	Description:	Ref. Part No:	Description:
<b>Image 1:</b>			
21	4002037950		Pwer cord (LCDI) (M3, M6)
21	4002038058		Pwer cord (LCDI) (M1, M2, M4, M5)
31	3301074708		Capacitor CBB61S (M3, M6)
31	3301074714		Capacitor CBB61S (M1, M2, M4, M5)
31	33000045		Capacitor CBB65 (M3, M6)
31	33000081		Capacitor CBB65 (M1, M2, M4)
31	3300008101		Capacitor CBB65 (M5)
31	33030013		Capacitor XY (M3, M6)
71	20001025		Front Panel Assy (M3, M6)
71	20001284		Front Panel Assy (M1, M2, M4, M5)
81	11121012		Filter Sub-Assy
101	30562076		Display Board (M3)
101	30562080		Display Board (M1, M2)
101	30562081		Display Board (M4, M5)
101	30562082		Display Board (M6)
131	30132190		Main Board (M3)
131	30132191		Main Board (M1, M2)
131	30132195		Main Board (M6)
131	30132196		Main Board (M4, M5)
151	43110258		Transformer
NS	39000206		Ambient Temperature Sensor (M2, M4, M5)
NS	390002061		Ambient Temperature Sensor (M3, M6)
NS	63029900271		Membrane (M3, M6)
NS	63061113		Membrane (M1, M2, M4, M5)
NS	30510142_115152		Remote Controller (M3, M6)
NS	30510142_L19569		Remote Controller (M1, M2, M4, M5)
NS	39000191		Room Sensor
NS	390000596		Temperature Sensor (M1, M3, M5, M6)
NS	42011103		Terminal Board

## Expanded Model Nomenclature

M1 - AE093G35AXAA
M2 - AE123G35AXAA
M3 - AE183G35AXAA
M4 - AH093G35AXAA
M5 - AH123G35AXAA
M6 - AH183G35AXAA

# Blower / Fan Assy



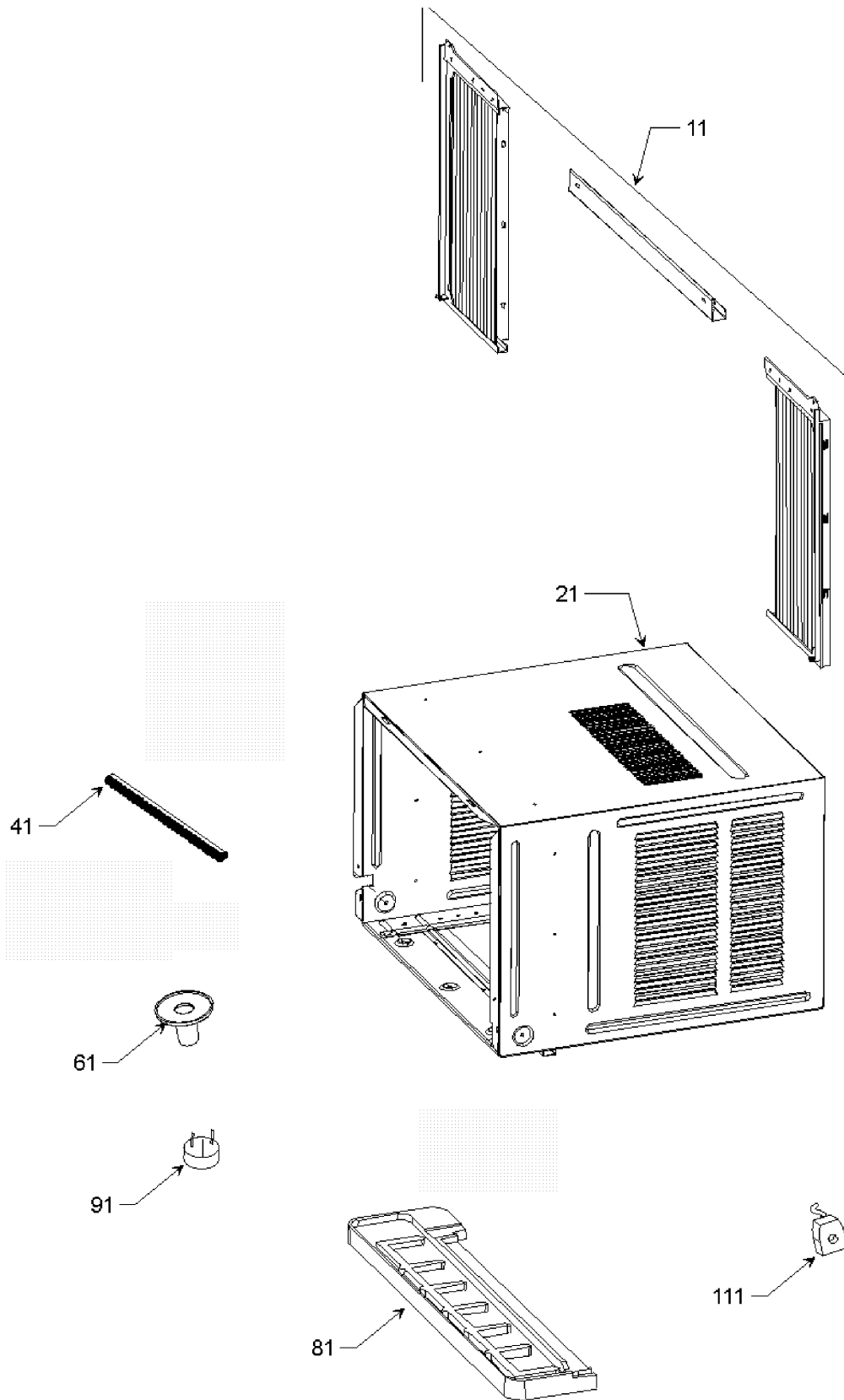
# Blower / Fan Assy

Ref. Part No:	No:	Description:	Ref. Part No:	No:	Description:
<b>Image 1:</b>					
11	1251018	TOP COVER (M3, M6)			
11	1251021	TOP COVER (M4, M5)			
11	1251206	TOP COVER (M1, M2)			
21	12101155	UPPER BLOWER SHROUD (M1, M2, M4, M5)			
21	1231026	UPPER BLOWER SHROUD (M3, M6)			
31	1231027	PARTITION PANEL (M1, M2, M4, M5)			
31	12318052	PARTITION PANEL (M3, M6)			
41	12101207	LOWER BLOWER SHROUD (M1, M2, M4, M5)			
41	12101602	LOWER BLOWER SHROUD (M3, M6)			
51	103115032	BLOWER WHEEL (M1, M2, M4, M5)			
51	103116024	BLOWER WHEEL (M3, M6)			
61	1231014	Mid Clapboard (M1, M2, M4, M5)			
71	32001016	Electric Heater (M1, M2, M4, M5)			
71	320010161	Electric Heater (M3, M6)			
81	150110435	Fan Motor (M1, M2, M4, M5)			
81	1501105804	Fan Motor (M3, M6)			
91	123101301	CONDENSER SHROUD (M4, M5)			
91	1231073	CONDENSER SHROUD (M1, M2)			
91	1231701	CONDENSER SHROUD (M3, M6)			
101	10331155	FAN BLADE (M1, M2, M4, M5)			
101	10331163	FAN BLADE (M3, M6)			

## Expanded Model Nomenclature

M1 - AE093G35AXAA
M2 - AE123G35AXAA
M3 - AE183G35AXAA
M4 - AH093G35AXAA
M5 - AH123G35AXAA
M6 - AH183G35AXAA

# Miscellaneous



# Miscellaneous

Ref. Part No:	Description:	Ref. Part No:	Description:
---------------	--------------	---------------	--------------

---

**Image 1:**

11	22411007	CURTAIN ASSY (M1, M2, M4, M5)
11	22411702	CURTAIN ASSY (M3, M6)
21	1431035	OUTER CASE (M1, M2, M4, M5)
21	1431173	OUTER CASE (M3, M6)
61	6121350	Drainage Joint
81	12311504	DRAIN PAN (M1, M2, M4, M5)
81	20181136	DRAIN PAN (M3, M6)
91	7101001	Drainage Valve
111	4300040047	SOLENOID COIL (M4, M5)
111	430004017	SOLENOID COIL (M6)

**Expanded Model Nomenclature**

M1 - AE093G35AXAA
M2 - AE123G35AXAA
M3 - AE183G35AXAA
M4 - AH093G35AXAA
M5 - AH123G35AXAA
M6 - AH183G35AXAA