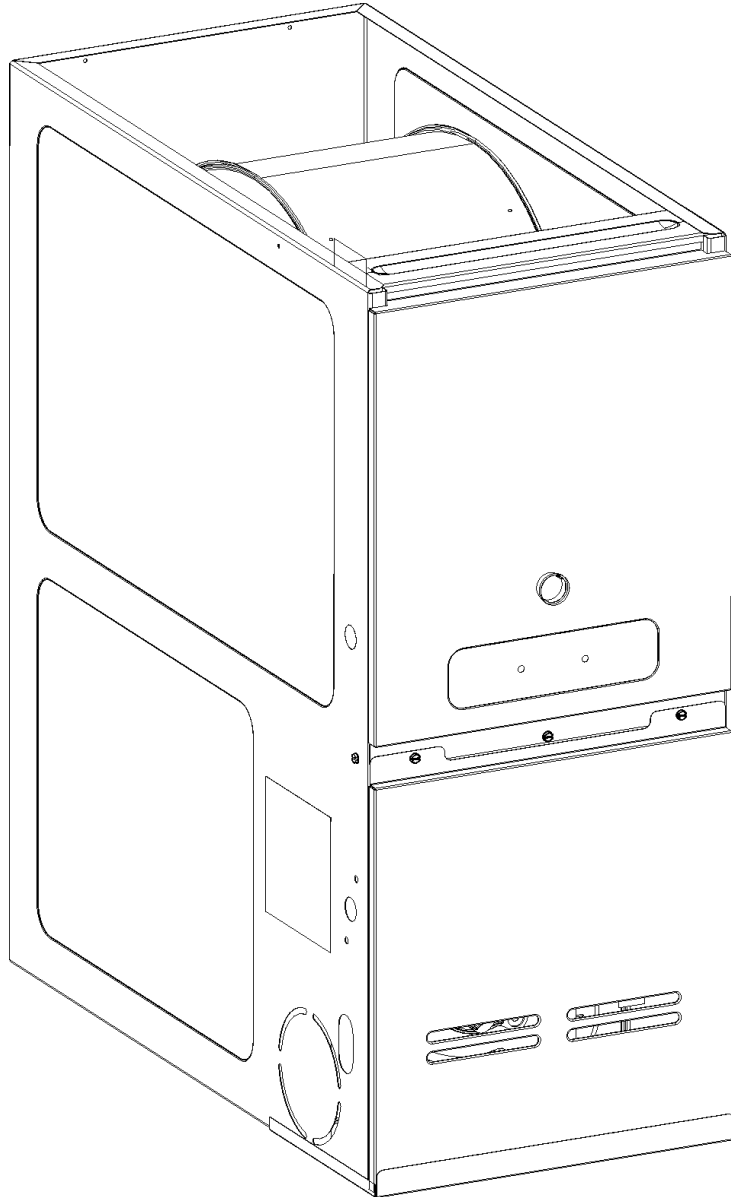


ADSS 80% Down Flow Furnace

ADSS800403AXAA
ADSS800403AXAB
ADSS800403AXAC
ADSS800603AXAA
ADSS800603AXAB
ADSS800603AXAC
ADSS800804BXAA
ADSS800804BXAB
ADSS800804BXAC
ADSS801005CXAA
ADSS801005CXAB
ADSS801005CXAC



Amana® is a registered trademark of Maytag Corporation or its related companies and is used under license to Goodman Company, L.P., Houston, TX, USA. All rights reserved.

This manual is to be used by qualified technicians only.

This manual replaces RP-842B.

© 2013-2015 Goodman Manufacturing Company, L.P. ♦ 5151 San Felipe St., Suite 500 ♦ Houston, TX 77056

Important Information

Index

Functional Parts List	3
Illustration and Parts	4 - 9

Views shown are for parts illustrations only, not servicing procedures

Text Codes:

AR - As Required

NA - Not Available

NS - Not Shown

00000000 - See Note

QTY - Quantity Example (QTY 3) (If Quantity not shown, Quantity = 1)

M - Model Example (M1) (If M Code not shown, then part is used on all Models)

Expanded Model Nomenclature:

Example M1 - Model#1 M2 - Model#2 M3 - Model#3

Goodman Manufacturing Company, L.P. is not responsible for personal injury or property damage resulting from improper service. Review all service information before beginning repairs.

Warranty service must be performed by an authorized technician, using authorized factory parts. If service is required after the warranty expires, Goodman Manufacturing Company, L.P. also recommends contacting an authorized technician and using authorized factory parts.

Goodman Manufacturing Company, L.P. reserves the right to discontinue, or change at any time, specifications or designs without notice or without incurring obligations.

For assistance within the U.S.A. contact:
Consumer Affairs Department
Goodman Manufacturing Company, L.P.
7401 Security Way
Houston, Texas 77040
877-254-4729-Telephone
713-863-2382-Facsimile

For assistance outside the U.S.A. contact:
International Division
Goodman Manufacturing Company, L.P.
7401 Security Way
Houston, Texas 77040
713-861-2500-Telephone
713-863-2382-Facsimile

Functional Parts

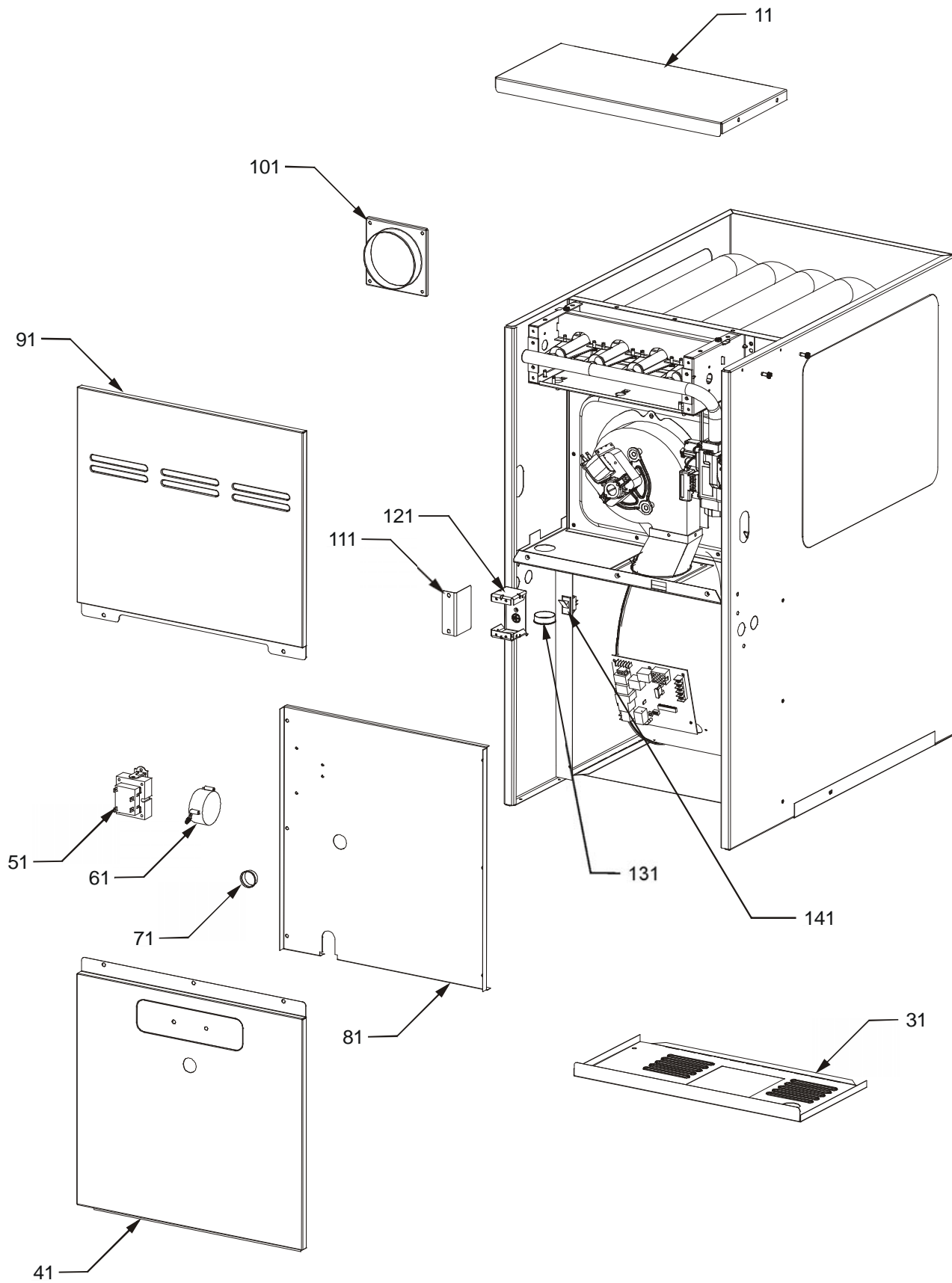
Part No: **Description:**

Part No:	Description:	Expanded Model Nomenclature
0131F00022	BLOWER MOTOR 1/2 HP, 4 SP, 6 PL (M7, M8, M9)	M1 - ADSS800403AXAA
20046618	BLOWER MOTOR 3/4 HP (M10, M11, M12)	M2 - ADSS800403AXAB
0131F00027	BLOWER MOTOR, 1/3HP, 4SP, 6PL (M1, M2, M3, M4, M5, M6)	M3 - ADSS800403AXAC
CAP125000370CP	CAP, 12.5 MFD/370V/ RD (M1, M2, M3, M4, M5, M6)	M4 - ADSS800603AXAA
CAP200000370CP	CAP, 20 MFD/370V/ RD (M7, M8, M9)	M5 - ADSS800603AXAB
CAP250000370CP	CAP, 25 MFD/370V/ RD (M10, M11, M12)	M6 - ADSS800603AXAC
0130F00010	FLAME SENSOR	M7 - ADSS800804BXAA
0151M00037	GAS VALVE (M2, M3, M5, M6, M8, M9, M11, M12)	M8 - ADSS800804BXAB
0151M00013	GAS VALVE (HW) SINGLE STAGE (M1, M4, M7, M10)	M9 - ADSS800804BXAC
0270F00932	HEAT EXCHANGER ASSY (M4)	M10 - ADSS801005CXAA
0270F00931	HEAT EXCHANGER ASSY (M1)	M11 - ADSS801005CXAB
0270F00934	HEAT EXCHANGER ASSY (M7)	M12 - ADSS801005CXAC
0270F00936	HEAT EXCHANGER ASSY (M10)	
0270F03534	HEAT EXCHANGER ASSY (M11, M12)	
0270F03530	HEAT EXCHANGER ASSY (M5, M6)	
0270F03532	HEAT EXCHANGER ASSY (M8, M9)	
0270F03529	HEAT EXCHANGER ASSY (M2, M3)	
PCBBF123	IGNITION BOARD, HSI INTEGRATED (M1, M2, M4, M5, M7, M8, M10, M11)	
20165703	IGNITOR (M1, M2, M4, M5, M7, M8, M10, M11)	
0130F00008	IGNITOR-SINI 17 SEC (M3, M6, M9, M12)	
10690402	INTERLOCK SWITCH	
10123529	MANUAL RESET R.O.S. LIMIT	
PCBBF134	PCB, IGNITION, HSI, INTEG (M3, M6, M9, M12)	
20162901	PRESSURE LIMIT-RED (M10, M11, M12)	
0130F00042	PRESSURE SWITCH (M10, M11, M12)	
B1370142	PRESSURE SWITCH 0.60" WC (M1, M2, M3, M4, M5, M6, M7, M8, M9)	
0130F00038	PRIMARY LIMIT - LT BLUE 120° (AUX)	
0130F00036	PRIMARY LIMIT - PINK 180° (M1, M2, M3, M4, M5, M6, M7, M8, M9)	
0130M00139	TRANSFORMER, 40VA,120VTO24V	
0131M00002P	VENT MOTOR 80+	
DY6.186.070	VENT MOTOR CAPACITOR	

SPECIAL PARTS

0161F00006 AMANA NAMEPLATE

Cabinet Assy



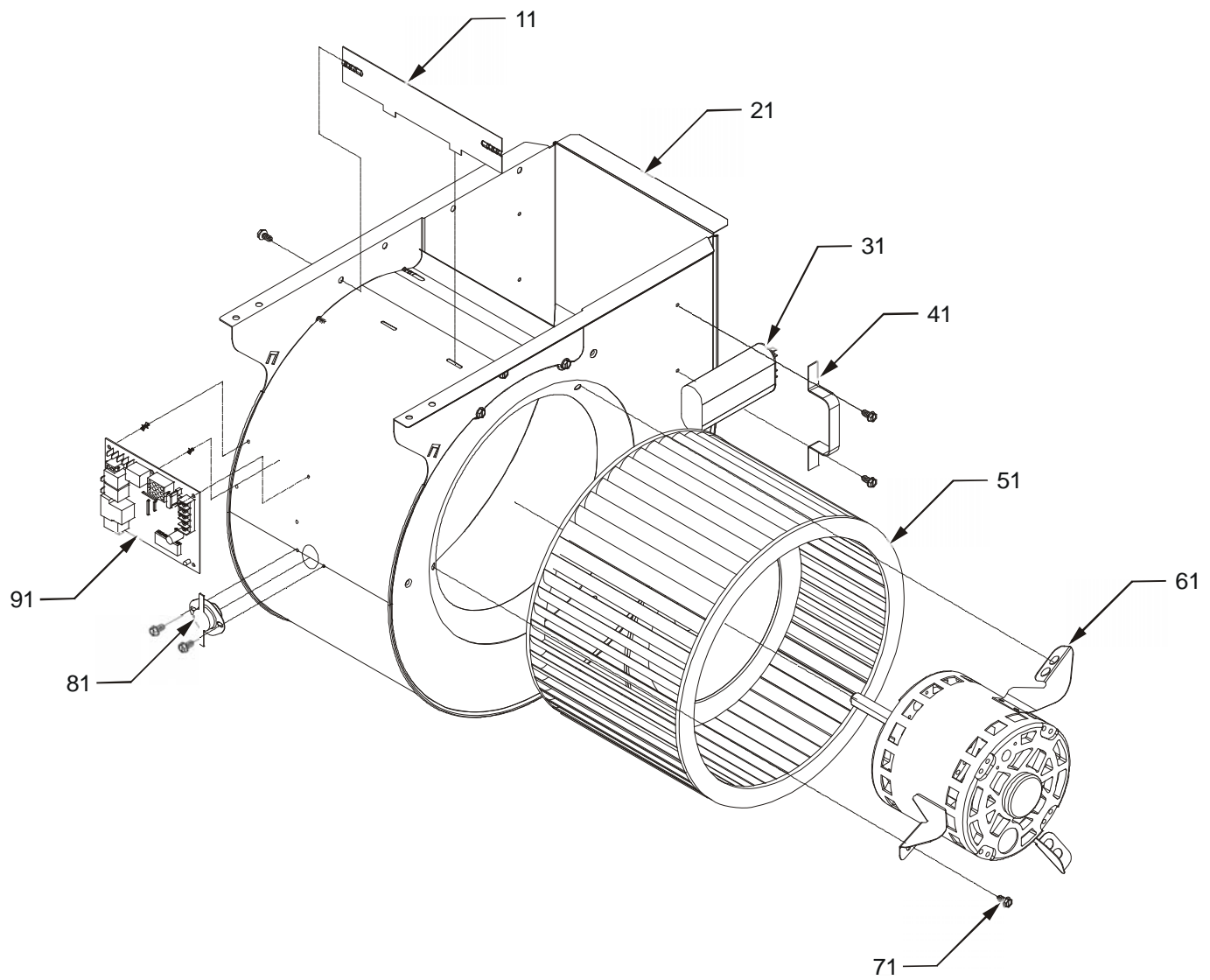
Cabinet Assy

Ref. Part No: No:	Description:	Ref. Part No: No:	Description:
Image 1:			
11	0121F00183DG		FURNACE BOTTOM 14" (M1, M2, M3, M4, M5, M6)
11	0121F00190DG		FURNACE BOTTOM 17.5" (M7, M8, M9)
11	0121F00191DG		FURNACE BOTTOM 21" (M10, M11, M12)
31	0121F00141DG		TOP 14" (M1, M2, M3, M4, M5, M6)
31	0121F00142DG		TOP 17.5" (M7, M8, M9)
31	0121F00143DG		TOP 21" (M10, M11, M12)
41	0121F00122LG		BLOWER ACCESS DOOR 14" (M1, M2, M3, M4, M5, M6)
41	0121F00123LG		BLOWER ACCESS DOOR 17.5" (M7, M8, M9)
41	0121F00124LG		BLOWER ACCESS DOOR 21" (M10, M11, M12)
51	0130M00139		TRANSFORMER, 40VA,120VTO24V
61	0130F00042		PRESSURE SWITCH (M10, M11, M12)
61	B1370142		PRESSURE SWITCH 0.60" WC (M1, M2, M3, M4, M5, M6, M7, M8, M9)
71	B1392139		VIEW PORT BUSHING-BLOWER DOOR
81	0121F00185		INNER BLOWER DOOR 14" (M1, M2, M3, M4, M5, M6)
81	0121F00192		INNER BLOWER DOOR 17.5" (M7, M8, M9)
81	0121F00193		INNER BLOWER DOOR 21" (M10, M11, M12)
91	0121F00118LG		CONTROL ACCESS DOOR 14" (M1, M2, M3, M4, M5, M6)
91	0121F00119LG		CONTROL ACCESS DOOR 17.5" (M7, M8, M9)
91	0121F00120LG		CONTROL ACCESS DOOR 21" (M10, M11, M12)
101	4023500		CHIMNEY TRANSITION TOP
111	4015502		J-BOX COVER
121	4014502		J-BOX
131	0163F00001		UNIVERSAL BUSHING WITH SLICE
141	10690402		INTERLOCK SWITCH
NS	0161F00006		AMANA NAMEPLATE
NS	0259F00057		ASSY, WIRE HARNESS, 12-PIN
NS	0159F00009		IGNITOR WIRE HARNESS ASSY (M1, M2, M4, M5, M7, M8, M10, M11)
NS	0259F00059		KIT, WIRE DF

Expanded Model Nomenclature

- M1 - ADSS800403AXAA
- M2 - ADSS800403AXAB
- M3 - ADSS800403AXAC
- M4 - ADSS800603AXAA
- M5 - ADSS800603AXAB
- M6 - ADSS800603AXAC
- M7 - ADSS800804BXAA
- M8 - ADSS800804BXAB
- M9 - ADSS800804BXAC
- M10 - ADSS801005CXAA
- M11 - ADSS801005CXAB
- M12 - ADSS801005CXAC

Blower Assy



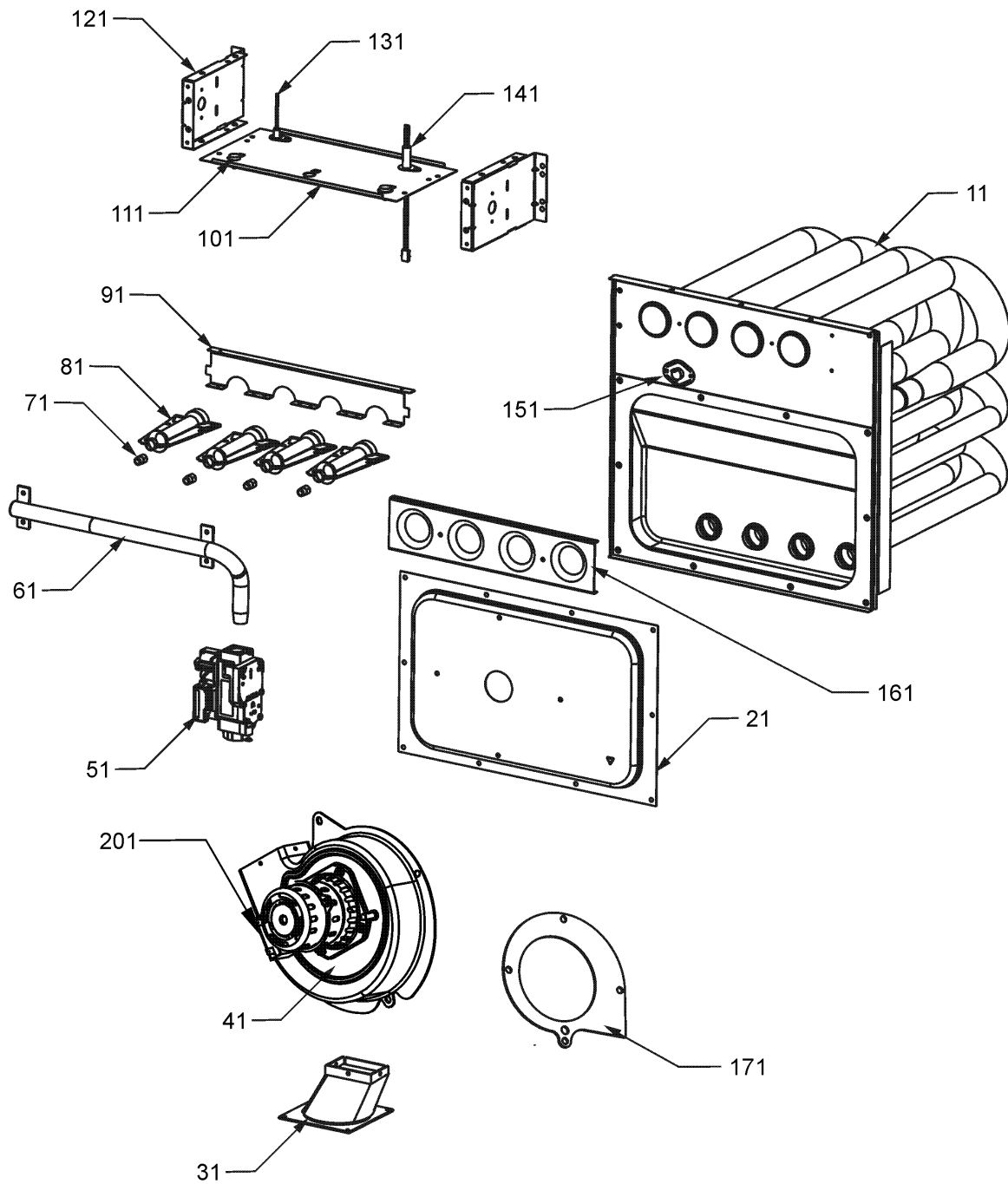
Blower Assy

Ref. Part No:	No:	Description:	Ref. Part No:	No:	Description:
<i>Image 1:</i>					
11	764741	BLOWER BLOCK-OFF 10 X 10 (M10, M11, M12)			
11	764740	BLOWER BLOCK-OFF 10 X 8 (M7, M8, M9)			
11	764739	BLOWER CUT-OFF 10 X 6 (M1, M2, M3, M4, M5, M6)			
21	2539307	BLOWER HOUSING 10 X 10 (M10, M11, M12)			
21	2539305	BLOWER HOUSING 10 X 6 (M1, M2, M3, M4, M5, M6)			
21	2539306	BLOWER HOUSING 10 X 8 (M7, M8, M9)			
31	CAP125000370CP	CAP, 12.5 MFD/370V/ RD (M1, M2, M3, M4, M5, M6)			
31	CAP200000370CP	CAP, 20 MFD/370V/ RD (M7, M8, M9)			
31	CAP250000370CP	CAP, 25 MFD/370V/ RD (M10, M11, M12)			
41	1284835	CAPACITOR STRAP			
51	B1368047	BLOWER WHEEL 10 X 10 (M10, M11, M12)			
51	B1368034	BLOWER WHEEL 10 X 6 (M1, M2, M3, M4, M5, M6)			
51	B1368016	BLOWER WHEEL 10 X 8 (M7, M8, M9)			
61	0131F00022	BLOWER MOTOR 1/2 HP, 4 SP, 6 PL (M7, M8, M9)			
61	20046618	BLOWER MOTOR 3/4 HP (M10, M11, M12)			
61	0131F00027	BLOWER MOTOR, 1/3HP, 4SP, 6PL (M1, M2, M3, M4, M5, M6)			
71	M0250558	TC SCREW (QTY 3)			
81	20162901	PRESSURE LIMIT-RED (M10, M11, M12)			
81	0130F00036	PRIMARY LIMIT - PINK 180° (M1, M2, M3, M4, M5, M6, M7, M8, M9)			
91	PCBBF123	IGNITION BOARD, HSI INTEGRATED (M1, M2, M4, M5, M7, M8, M10, M11)			
91	PCBBF134	PCB, IGNITION, HSI, INTEG (M3, M6, M9, M12)			
NS	B1393802	SUPPORT, 2-WING BOARD, .187 MT (QTY 4)			
NS	B1393803	SUPPORT, SINGLE-WING BOARD (.1			

Expanded Model Nomenclature

M1 - ADSS800403AXAA
M2 - ADSS800403AXAB
M3 - ADSS800403AXAC
M4 - ADSS800603AXAA
M5 - ADSS800603AXAB
M6 - ADSS800603AXAC
M7 - ADSS800804BXAA
M8 - ADSS800804BXAB
M9 - ADSS800804BXAC
M10 - ADSS801005CXAA
M11 - ADSS801005CXAB
M12 - ADSS801005CXAC

Heat Exchanger Assy



Heat Exchanger Assy

Ref. Part No: No:	Description:	Ref. Part No: No:	Description:
<i>Image 1:</i>		Expanded Model Nomenclature	
11	0270F00931 HEAT EXCHANGER ASSY (M1)	M1 -	ADSS800403AXAA
11	0270F00932 HEAT EXCHANGER ASSY (M4)	M2 -	ADSS800403AXAB
11	0270F00934 HEAT EXCHANGER ASSY (M7)	M3 -	ADSS800403AXAC
11	0270F00936 HEAT EXCHANGER ASSY (M10)	M4 -	ADSS800603AXAA
11	0270F03529 HEAT EXCHANGER ASSY (M2, M3)	M5 -	ADSS800603AXAB
11	0270F03530 HEAT EXCHANGER ASSY (M5, M6)	M6 -	ADSS800603AXAC
11	0270F03532 HEAT EXCHANGER ASSY (M8, M9)	M7 -	ADSS800804BXAA
11	0270F03534 HEAT EXCHANGER ASSY (M11, M12)	M8 -	ADSS800804BXAB
21	0121F00327 14" COLLECTOR BOX 1.125" DIA (M1, M2, M3)	M9 -	ADSS800804BXAC
21	0121F00364 14" FLUE COLLECTOR BOX 1.5"DIA (M4, M5, M6)	M10 -	ADSS801005CXAA
21	0121F00334 21" COLLECTOR BOX 1.625" DIA (M10, M11, M12)	M11 -	ADSS801005CXAB
21	0121F00128 FLUE COLLECTOR BOX KIT 17.5" 1.75 DIA (M7, M8, M9)	M12 -	ADSS801005CXAC
31	0128F00006 CHIMNEY TRANSITION BOTTOM		
41	0131M00002P VENT MOTOR 80+		
51	0151M00037 GAS VALVE (M2, M3, M5, M6, M8, M9, M11, M12)		
51	0151M00013 GAS VALVE (HW) SINGLE STAGE (M1, M4, M7, M10)		
61	0120F00006 MANIFOLD (M1, M2, M3)		
61	0120F00007 MANIFOLD (M4, M5, M6)		
61	0120F00008 MANIFOLD (M7, M8, M9)		
61	0120F00009 MANIFOLD (M10, M11, M12)		
71	10716005 ORIFICE (QTY 2)		
81	B4022700 INSHOT BURNER ASSY 3" (QTY 2)		
91	0121F00167 BURNER BRACKET 2B (M1, M2, M3)		
91	0121F00168 BURNER BRACKET 3B (M4, M5, M6)		
91	0121F00169 BURNER BRACKET 4B (M7, M8, M9)		
91	0121F00170 BURNER BRACKET 5B (M10, M11, M12)		
101	0121F00162 BURNER BOX TOP 2 CELL (M1, M2, M3)		
101	0121F00163 BURNER BOX TOP 3 CELL (M4, M5, M6)		
101	0121F00164 BURNER BOX TOP 4 CELL (M7, M8, M9)		
101	0121F00165 BURNER BOX TOP 5 CELL (M10, M11, M12)		
111	10123529 MANUAL RESET R.O.S. LIMIT		
121	0121F00146 BURNER BOX SIDE (QTY 2)		
131	0130F00010 FLAME SENSOR		
141	20165703 IGNITOR (M1, M2, M4, M5, M7, M8, M10, M11)		
141	0130F00008 IGNITOR-SINI 17 SEC (M3, M6, M9, M12)		
151	0130F00038 PRIMARY LIMIT - LT BLUE 120° (AUX)		
161	4028000 ORIFICE SHIELD 2 CELL (M1, M2, M3)		
161	4028001 ORIFICE SHIELD 3 CELL (M4, M5, M6)		
161	4028002 ORIFICE SHIELD 4 CELL (M7, M8, M9)		
161	4028003 ORIFICE SHIELD 5 CELL (M10, M11, M12)		
171	0154F00003 VENT MOTOR GASKET 14" (M1, M2, M3, M4, M5, M6)		
171	0154F00004 VENT MOTOR GASKET 17.5" (M7, M8, M9)		
171	0154F00005 VENT MOTOR GASKET 21" (M10, M11, M12)		
201	DY6.186.070 VENT MOTOR CAPACITOR		