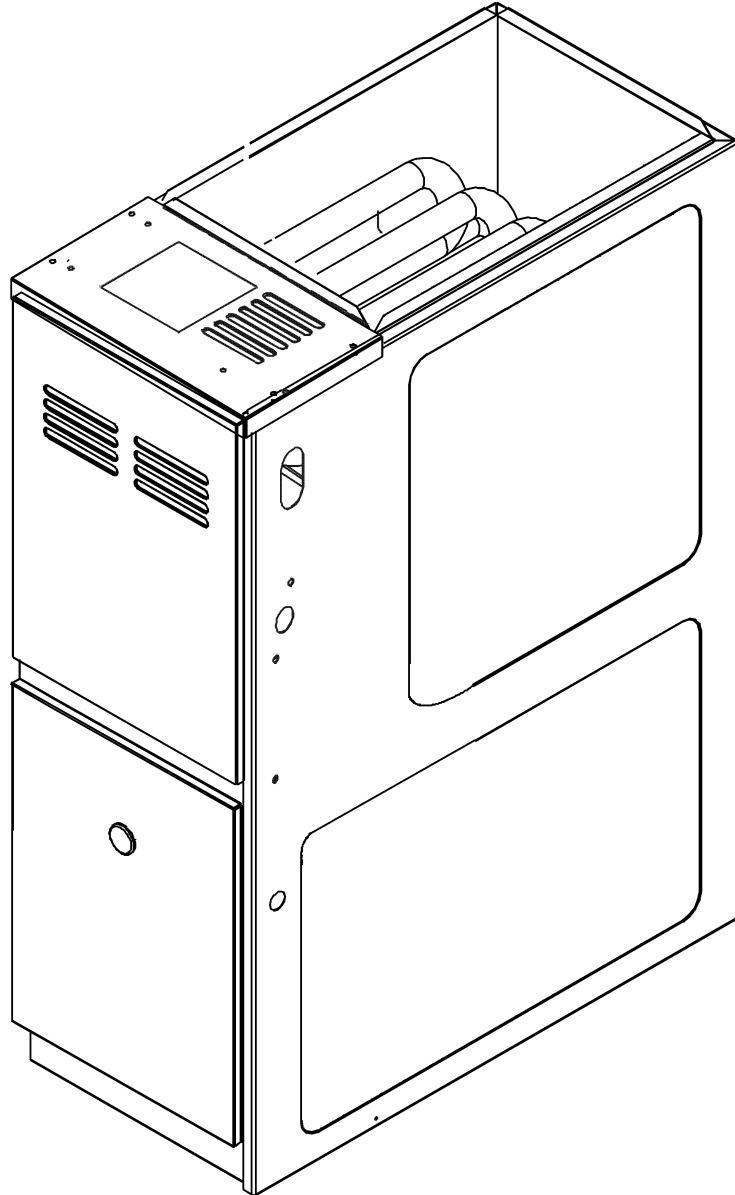


ADSS 80% Single Stage Downflow Furnace

ADSS800403AXAD
ADSS800603AXAD
ADSS800804BXAD



Amana® is a registered trademark of Maytag Corporation or its related companies and is used under license. All rights reserved.

This manual is to be used by qualified technicians only.

This manual replaces RP-A2306.

© 2016 - 2017 Goodman Company, L.P. ♦ 5151 San Felipe St, Suite 500 ♦ Houston, TX 77056

Important Information

Index

Functional Parts List	3
Illustration and Parts	4 - 9

Views shown are for parts illustrations only, not servicing procedures

Text Codes:

AR - As Required

NA - Not Available

NS - Not Shown

00000000 - See Note

QTY - Quantity Example (QTY 3) (If Quantity not shown, Quantity = 1)

M - Model Example (M1) (If M Code not shown, then part is used on all Models)

Expanded Model Nomenclature:

Example M1 - Model#1 M2 - Model#2 M3 - Model#3

Goodman Company, L.P. is not responsible for personal injury or property damage resulting from improper service. Review all service information before beginning repairs.

Warranty service must be performed by an authorized technician, using authorized factory parts. If service is required after the warranty expires, Goodman Company, L.P. also recommends contacting an authorized technician and using authorized factory parts.

Goodman Company, L.P. reserves the right to discontinue, or change at any time, specifications or designs without notice or without incurring obligations.

For assistance within the U.S.A. contact:

Homeowner Support
Goodman Company, L.P.
19001 Kermier Road
Waller, Texas 77484
877-254-4729-Telephone
713-863-2382-Facsimile

For assistance outside the U.S.A. contact:

International Division
Goodman Company, L.P.
19001 Kermier Road
Waller, Texas 77484
713-861-2500-Telephone
713-863-2382-Facsimile

Functional Parts

Part

No: Description:

CAP200000370CP	CAP, 20 MFD/370V/ RD
0130F00010	FLAME SENSOR
0151M00037	GAS VALVE
0270F03530	HEAT EXCHANGER ASSY (M2)
0270F03529	HEAT EXCHANGER ASSY (M1)
0270F03532	HEAT EXCHANGER ASSY (M3)
0130F00008	IGNITOR-SINI 17 SEC
10690402	INTERLOCK SWITCH
10123529	MANUAL RESET R.O.S LIMIT
0131F00041	MOTOR, 1/3HP, 4SP, 6PL (M1, M2)
PCBBF134	PCB, IGNITION, HSI, INTEG
B1370142	PRESSURE SWITCH 0.60" WC
0130F00038	PRIMARY LIMIT - LT BLUE 120° (AUX)
0130F00036	PRIMARY LIMIT - PINK
0130M00139	TRANSFORMER, 40VA, 120VTO24V
0131M00002P	VENT MOTOR 80+
DY6.186.070	VENT MOTOR CAPACITOR

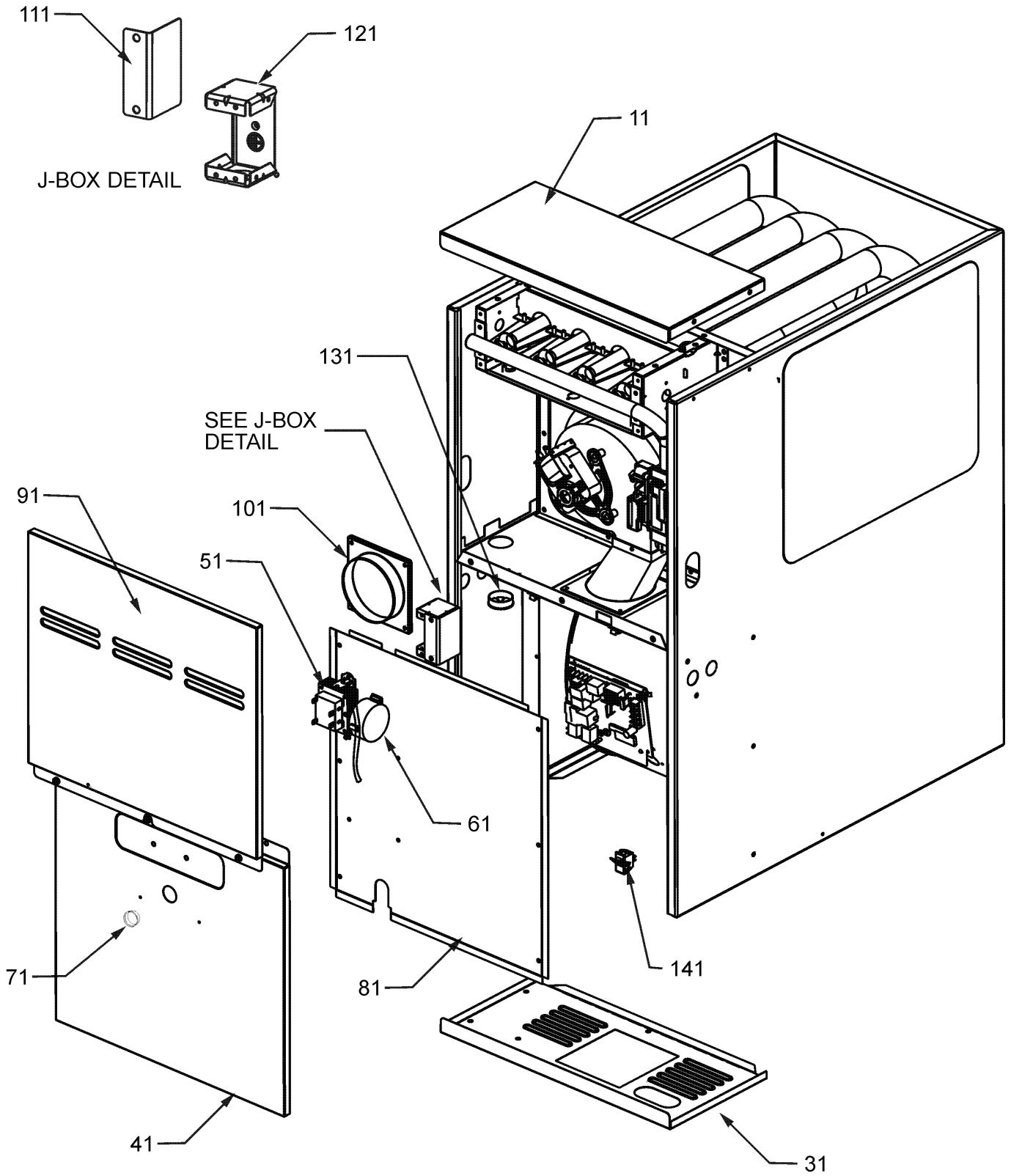
SPECIAL PARTS

0161F00006 AMANA NAMEPLATE

Expanded Model Nomenclature

M1 - ADSS800403AXAD
M2 - ADSS800603AXAD
M3 - ADSS800804BXAD

Cabinet Assy



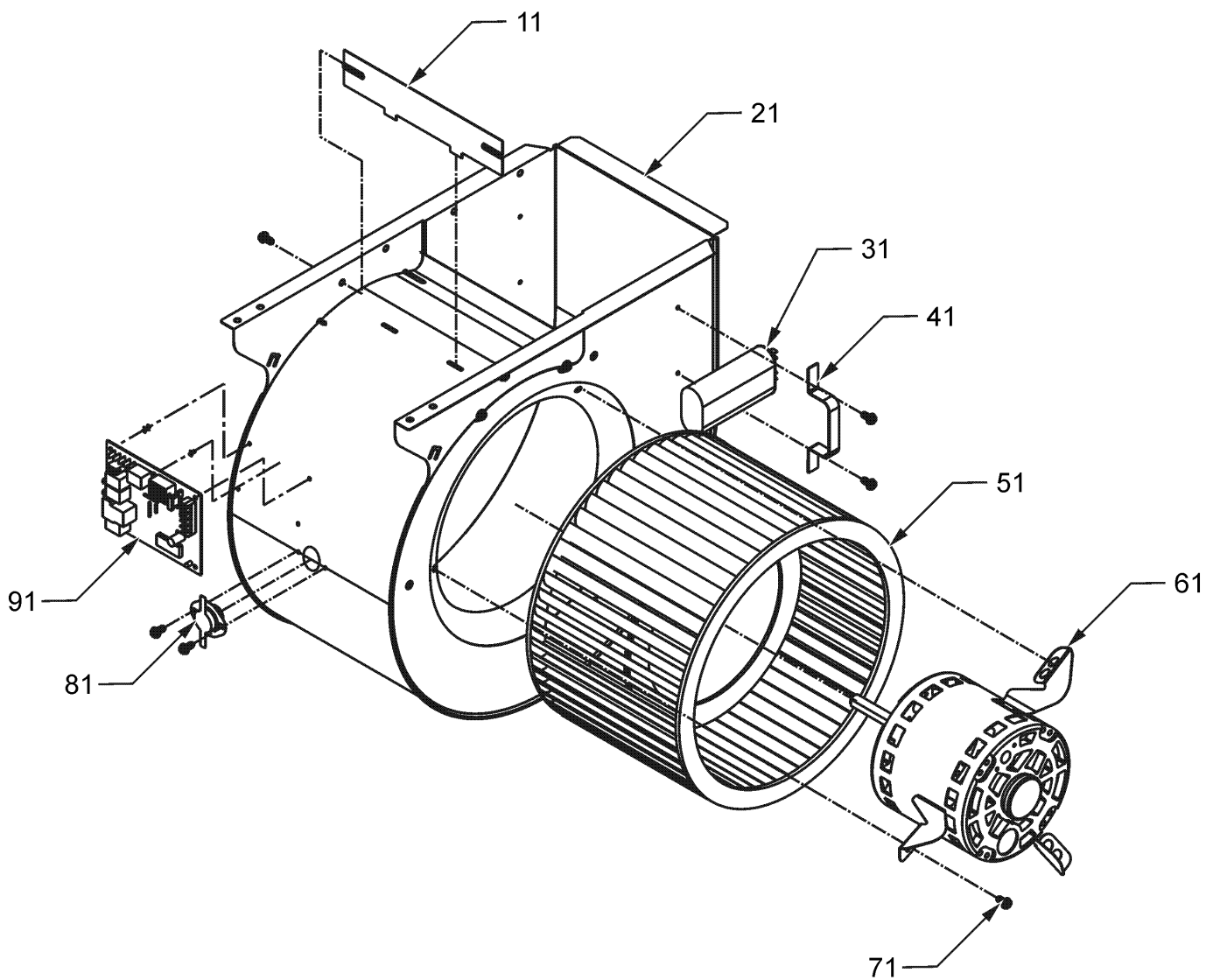
Cabinet Assy

Ref. Part No: No:	Description:	Ref. Part No: No:	Description:
<i>Image 1:</i>			
11	0121F00183DG		FURNACE BOTTOM 14" (M1, M2)
11	0121F00190DG		FURNACE BOTTOM 17.5" (M3)
31	0121F00141DG		TOP 14" (M1, M2)
31	0121F00142DG		TOP 17.5" (M3)
41	0121F00122LG		BLOWER ACCESS DOOR 14" (M1, M2)
41	0121F00123LG		BLOWER ACCESS DOOR 17.5" (M3)
51	0130M00139		TRANSFORMER, 40VA,120VTO24V
61	B1370142		PRESSURE SWITCH 0.60" WC
71	B1392139		VIEW PORT BUSHING-BLOWER DOOR
81	0121F00185		INNER BLOWER DOOR 14" (M1, M2)
81	0121F00192		INNER BLOWER DOOR 17.5" (M3)
91	0121F00118LG		CONTROL ACCESS DOOR 14" (M1, M2)
91	0121F00119LG		CONTROL ACCESS DOOR 17.5" (M3)
101	4023500		CHIMNEY TRANSITION TOP
111	4015502		J-BOX COVER
121	4014502		J-BOX
131	0163F00001		UNIVERSAL BUSHING WITH SLICE
141	10690402		INTERLOCK SWITCH
NS	0161F00006		AMANA NAMEPLATE
NS	0259F00057		ASSY, WIRE HARNESS, 12-PIN
NS	0259F00059		KIT, WIRE DF
NS	0159F00059		WIRE HARNESS ASSY. , IGNITOR

Expanded Model Nomenclature

M1 - ADSS800403AXAD
M2 - ADSS800603AXAD
M3 - ADSS800804BXAD

Blower Assembly



Blower Assembly

Ref. Part No: No:	Description:	Ref. Part No: No:	Description:
-------------------	--------------	-------------------	--------------

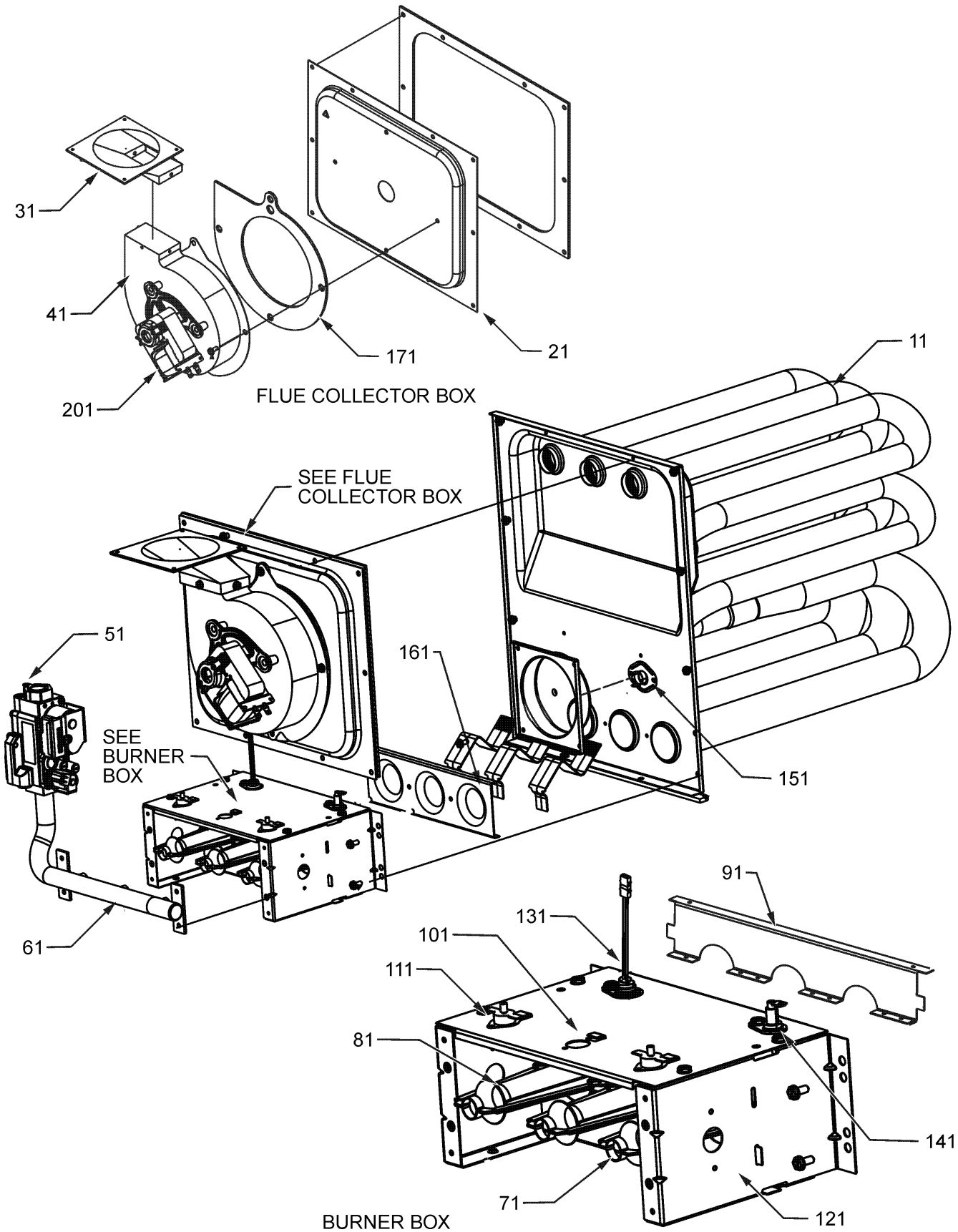
Image 1:

11	764740	BLOWER BLOCK-OFF 10 X 8 (M3)
11	764739	BLOWER CUT-OFF 10 X 6 (M1, M2)
21	2539305	BLOWER HOUSING 10 X 6 (M1, M2)
21	2539306	BLOWER HOUSING 10 X 8 (M3)
31	CAP200000370CP	CAP, 20 MFD/370V/ RD
41	1284835	CAPACITOR STRAP
51	B1368034	BLOWER WHEEL 10 X 6 (M1, M2)
51	0150M00043	WHEEL, BLOWER (10 X 8) (M3)
61	0131F00041	MOTOR, 1/3HP, 4SP, 6PL (M1, M2)
71	M0250558	TC SCREW (QTY 3)
81	0130F00038	PRIMARY LIMIT - LT BLUE 120° (AUX)
91	PCBBF134	PCB, IGNITION, HSI, INTEG

Expanded Model Nomenclature

- | |
|---------------------|
| M1 - ADSS800403AXAD |
| M2 - ADSS800603AXAD |
| M3 - ADSS800804BXAD |

Heat Exchanger Assy



Heat Exchanger Assy

Ref. Part No: No:	Description:	Ref. Part No: No:	Description:
<i>Image 1:</i>			
11	0270F03529		HEAT EXCHANGER ASSY (M1)
11	0270F03530		HEAT EXCHANGER ASSY (M2)
11	0270F03532		HEAT EXCHANGER ASSY (M3)
21	0121F00327		14" COLLECTOR BOX 1.125" DIA (M1)
21	0121F00364		14" FLUE COLLECTOR BOX 1.5"DIA (M2)
21	0121F00128		FLUE COLLECTOR BOX KIT 17.5" 1.75 DIA (M3)
31	0128F00006		CHIMNEY TRANSITION BOTTOM
41	0131M00002P		VENT MOTOR 80+
51	0151M00037		GAS VALVE
61	0120F00006		MANIFOLD (M1)
61	0120F00007		MANIFOLD (M2)
61	0120F00008		MANIFOLD (M3)
71	10716005		ORIFICE (QTY 2)
81	B4022700		INSHOT BURNER ASSY 3" (QTY 2)
91	0121F00167		BURNER BRACKET 2B (M1)
91	0121F00168		BURNER BRACKET 3B (M2)
91	0121F00169		BURNER BRACKET 4B (M3)
101	0121F00162		BURNER BOX TOP 2 CELL (M1)
101	0121F00163		BURNER BOX TOP 3 CELL (M2)
101	0121F00164		BURNER BOX TOP 4 CELL (M3)
111	10123529		MANUAL RESET R.O.S LIMIT
121	0121F00146		BURNER BOX SIDE (QTY 2)
131	0130F00010		FLAME SENSOR
141	0130F00008		IGNITOR-SINI 17 SEC
151	0130F00036		PRIMARY LIMIT - PINK
161	4028000		ORIFICE SHIELD 2 CELL (M1)
161	4028001		ORIFICE SHIELD 3 CELL (M2)
161	4028002		ORIFICE SHIELD 4 CELL (M3)
171	0154F00003		VENT MOTOR GASKET 14" (M1, M2)
171	0154F00004		VENT MOTOR GASKET 17.5" (M3)
201	DY6.186.070		VENT MOTOR CAPACITOR

Expanded Model Nomenclature

M1 - ADSS800403AXAD

M2 - ADSS800603AXAD

M3 - ADSS800804BXAD