

## ADSH 80% Two Stage Downflow Horizontal Furnace

ADSH800403AXAB  
ADSH800403AXAC  
ADSH800603AXAB  
ADSH800603AXAC  
ADSH800804BXAB  
ADSH800804BXAC  
ADSH801005CXAB



Amana® is a registered trademark of Maytag Corporation or its related companies and is used under license. All rights reserved.

This manual is to be used by qualified technicians only.

This manual replaces RP-A2305A.

© 2016 - 2018 Goodman Manufacturing Company, L.P. ♦ 5151 San Felipe St, Suite 500 ♦ Houston, TX 77056

# Important Information

---

## Index

Functional Parts List .....	3
Illustration and Parts .....	4 - 9

*Views shown are for parts illustrations only, not servicing procedures.*

### Text Codes:

AR - As Required

NA - Not Available

NS - Not Shown

00000000 - See Note

QTY - Quantity Example (QTY 3) (If Quantity not shown, Quantity = 1)

M - Model Example (M1) (If M Code not shown, then part is used on all Models)

### Expanded Model Nomenclature:

Example M1 - Model#1 M2 - Model#2 M3 - Model#3
---------------------------------------------------------

Goodman Manufacturing Company, L.P. is not responsible for personal injury or property damage resulting from improper service. Review all service information before beginning repairs.

Warranty service must be performed by an authorized technician, using authorized factory parts. If service is required after the warranty expires, Goodman Manufacturing Company, L.P. also recommends contacting an authorized technician and using authorized factory parts.

Goodman Manufacturing Company, L.P. reserves the right to discontinue, or change at any time, specifications or designs without notice or without incurring obligations.

For assistance within the U.S.A. contact:

Homeowner Support

Goodman Manufacturing Company, L.P.

19001 Kermier Road

Waller, Texas 77484

877-254-4729-Telephone

713-863-2382-Facsimile

For assistance outside the U.S.A. contact:

International Division

Goodman Manufacturing Company, L.P.

19001 Kermier Road

Waller, Texas 77484

713-861-2500-Telephone

713-863-2382-Facsimile

# Functional Parts

## Part

## No: Description:

---

0130F00042	AIR PRESSURE SWITCH (M7)
B1370142	AIR PRESSURE SWITCH, ORANGE (M1, M2, M3, M4, M5, M6)
0130F00038	AUX LIMIT - LT BLUE 120°
CAP200000370CP	CAP, 20 MFD/370V/ RD (M1, M2, M3, M4, M5, M6)
CAP250000370CP	CAP, 25 MFD/370V/ RD (M7)
0130F00010	FLAME SENSOR
0151M00027	GAS VALVE (M2, M4, M6, M7)
0130F00008	IGNITOR-SINI 17 SEC
10690402	INTERLOCK SWITCH
20162901	LIMIT-RED (M7)
10123529	MANUAL RESET R.O.S. LIMIT
0131F00042	MOTOR, 1/2HP, 4SP, 6PL (M5, M6) MOTOR,
0131F00041	1/3HP, 4SP, 6PL (M1, M2, M3, M4) MOTOR-
20046618	BLOW 3/4 HP (M7)
PCBBF132	PCB 2STAGE HYBRID FURNACE CNTL
0130F00036	PRIMARY LIMIT - PINK 180° (M1, M2, M3, M4, M5, M6)
0130M00139	TRANSFORMER 120V TO 24V, 40 VA
0151M00028	VALVE,GAS(HW)VR92 (M1, M3, M5)
0131M00002P	VENT MOTOR
DY6.186.070	VENT MOTOR CAPACITOR

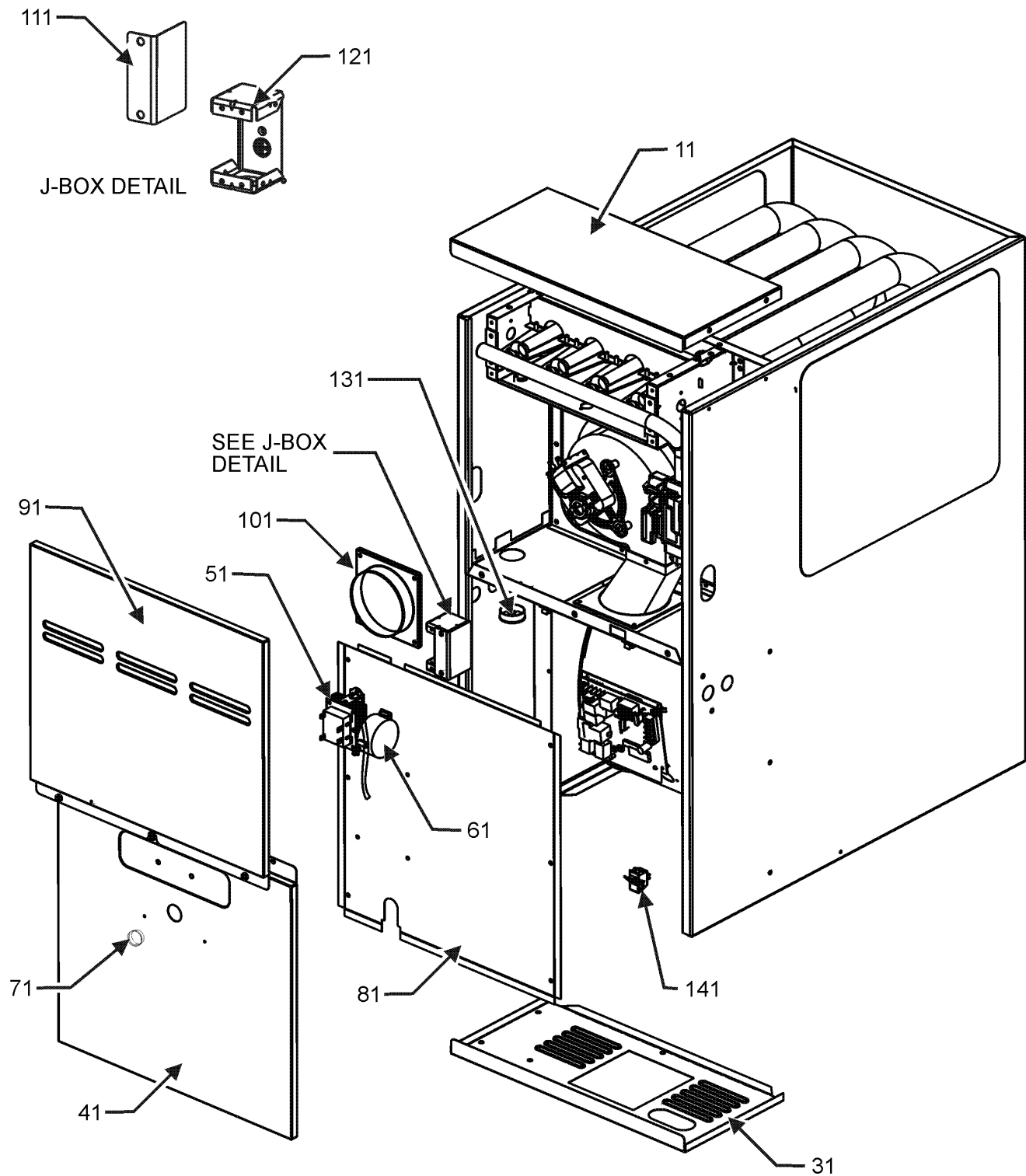
## SPECIAL PARTS

0161F00006 NAMEPLATE, AMANA

## Expanded Model Nomenclature

M1 - AD SH800403AXAB
M2 - AD SH800403AXAC
M3 - AD SH800603AXAB
M4 - AD SH800603AXAC
M5 - AD SH800804BXAB
M6 - AD SH800804BXAC
M7 - AD SH801005CXAB

# Cabinet Assembly



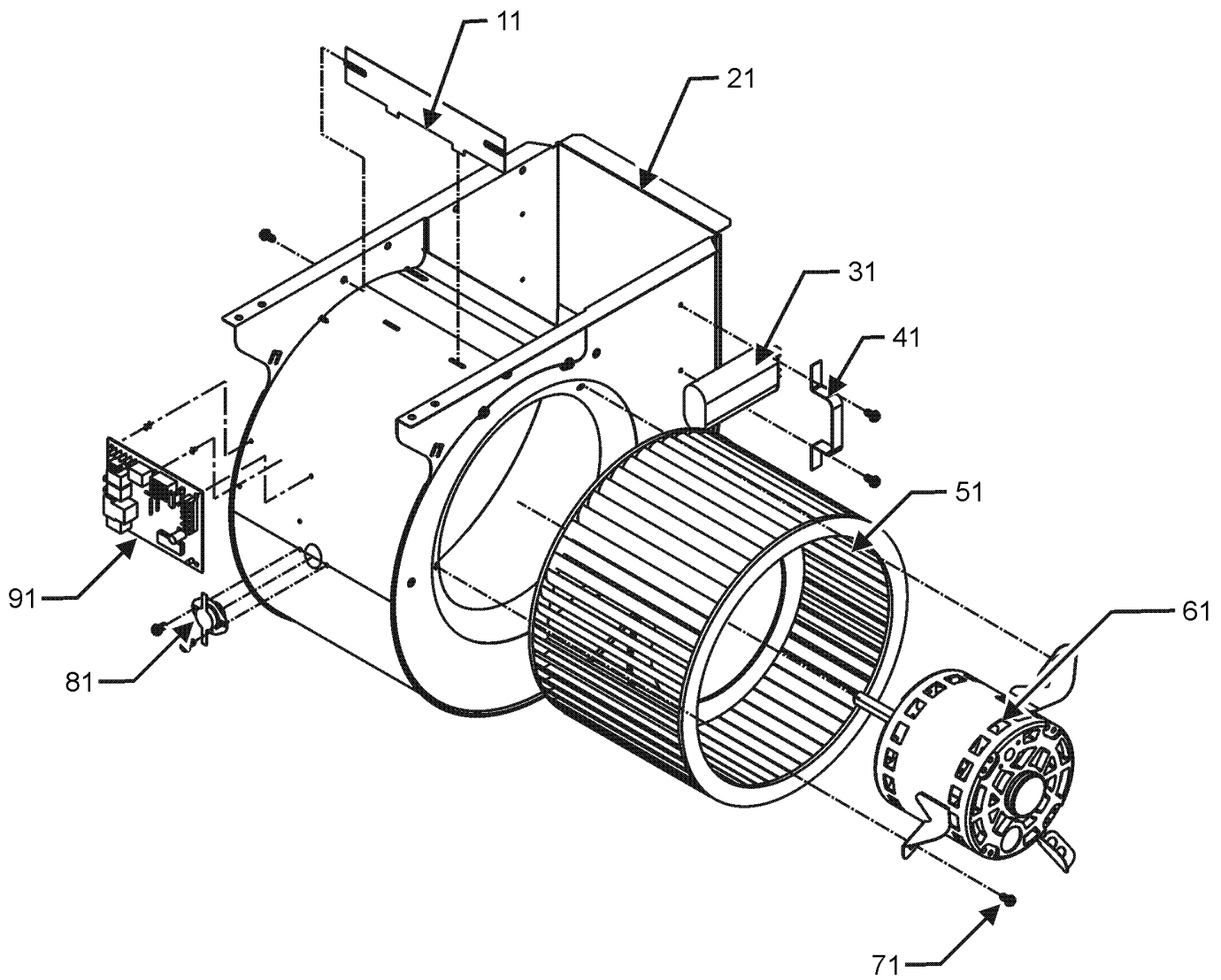
# Cabinet Assembly

Ref. Part No: No:	Description:	Ref. Part No: No:	Description:
<i>Image 1:</i>			
11	0121F00183DG		PAINTED 14" FURNACE BOTTOM (M1, M2, M3, M4)
11	0121F00190DG		PAINTED 17.5" FURNACE BOTTOM (M5, M6)
11	0121F00191DG		PAINTED 21" FURNACE BOTTOM (M7)
31	0121F00141DG		TOP, FURNACE 14"-PAINTED (M1, M2, M3, M4)
31	0121F00142DG		TOP, FURNACE 17.5"-PAINTED (M5, M6)
31	0121F00143DG		TOP, FURNACE 21"-PAINTED (M7)
41	0121F00122LG		DOOR, BLOWER, 14"-PAINTED (M1, M2, M3, M4)
41	0121F00123LG		DOOR, BLOWER, 17.5" PAINTED (M5, M6)
41	0121F00124LG		DOOR, BLOWER, 21"-PAINTED (M7)
51	0130M00139		TRANSFORMER 120V TO 24V, 40 VA
61	0130F00042		AIR PRESSURE SWITCH (M7)
61	B1370142		AIR PRESSURE SWITCH, ORANGE (M1, M2, M3, M4, M5, M6)
71	B1392139		VIEW PORT BUSHING-BLOWER DOOR
81	0121F00185		DOOR, INNER 14" (M1, M2, M3, M4)
81	0121F00192		DOOR, INNER 17.5" (M5, M6)
81	0121F00193		DOOR, INNER 21" (M7)
91	0121F00118LG		DOOR CTRL ACCESS, 14"-PAINTED (M1, M2, M3, M4)
91	0121F00120LG		DOOR CTRL ACCESS, 21"-PAINTED (M7)
91	0121F00119LG		DOOR CTRL ACCESS, 17.5"-PAINTED (M5, M6)
101	4023500		CHIMNEY TRANSITION TOP
111	4015502		J-BOX COVER
121	4014502		J-BOX
131	0163F00001		UNIVERSAL BUSHING WITH SLICE
141	10690402		INTERLOCK SWITCH
NS	0259F00060		HYBRID WIRE KIT
NS	0159F00059		IGNITOR WIRE HARNESS ASSY
NS	0161F00006		NAMEPLATE, AMANA
NS	0259F00074		WIRE HARNESS ASSY (M1, M3, M5)
NS	0259F00273		WIRE HARNESS ASSY (M2, M4, M6, M7)

## Expanded Model Nomenclature

M1 - AD SH800403AXAB
M2 - AD SH800403AXAC
M3 - AD SH800603AXAB
M4 - AD SH800603AXAC
M5 - AD SH800804BXAB
M6 - AD SH800804BXAC
M7 - AD SH801005CXAB

# Blower Assembly



# Blower Assembly

Ref. Part No:	Part No:	Description:	Ref. Part No:	Part No:	Description:
---------------	----------	--------------	---------------	----------	--------------

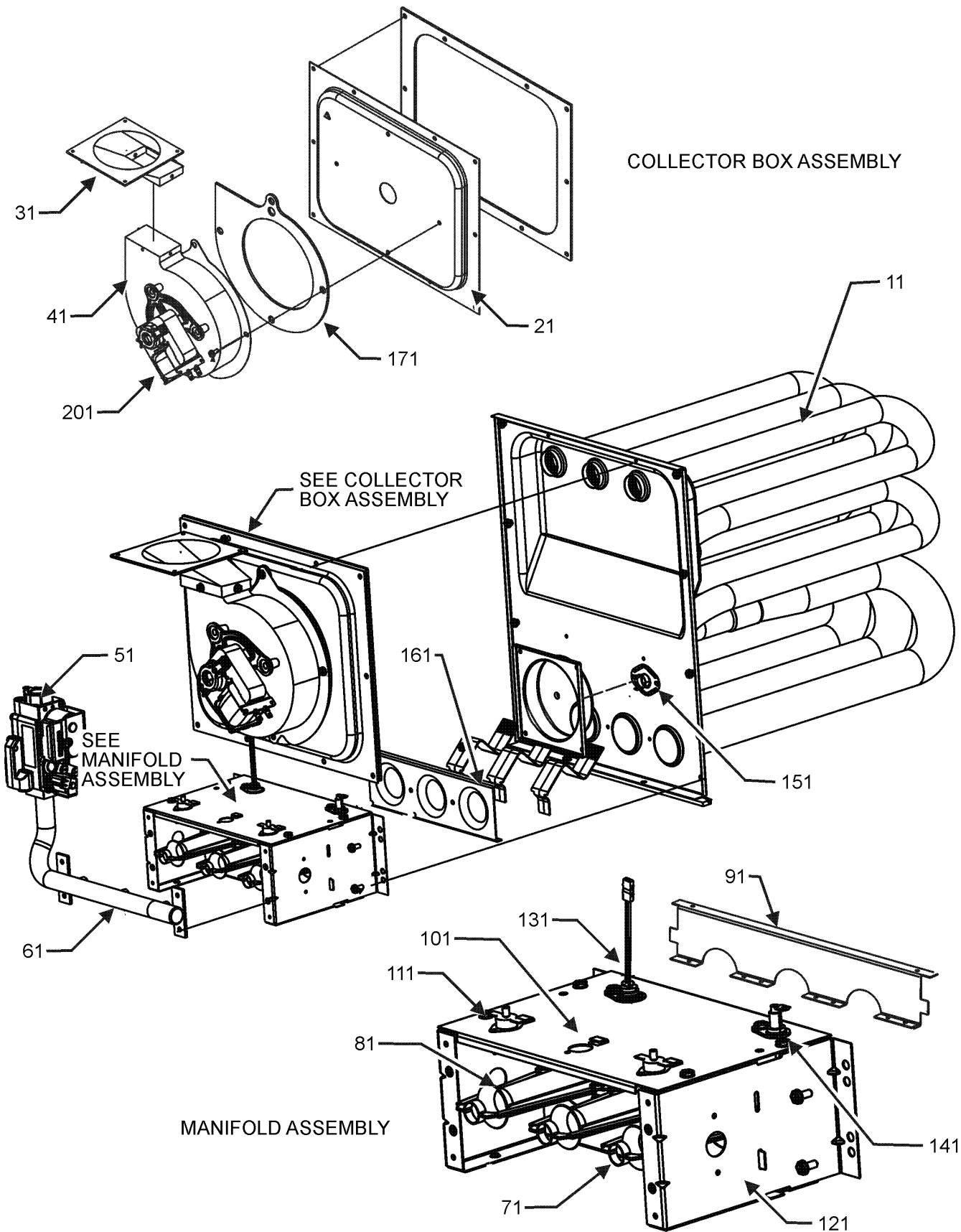
**Image 1:**

11	764741	BLWR BLK-OFF,10X10 (M7)
11	764739	BLWR BLK-OFF,10X6 (M1, M2, M3, M4)
11	764740	BLWR BLK-OFF,10X8 (M5, M6)
21	2539307	BLWR SHL ASM 10X10 10X10 (M7)
21	2539305	BLWR SHL ASM 10X6 10X6 (M1, M2, M3, M4)
21	2539306	BLWR SHL ASM 10X8 10X8 (M5, M6)
31	CAP200000370CP	CAP, 20 MFD/370V/ RD (M1, M2, M3, M4, M5, M6)
31	CAP250000370CP	CAP, 25 MFD/370V/ RD (M7)
41	1284835	CAPACITOR STRAP
51	B1368047	BLOWER WHEEL (10 X 10) (M7)
51	B1368034	BLOWER WHEEL (10 X 6) (M1, M2, M3, M4)
51	0150M00043	WHEEL, BLOWER (10 X 8) (M5, M6)
61	0131F00042	MOTOR, 1/2HP, 4SP, 6PL (M5, M6)
61	0131F00041	MOTOR, 1/3HP, 4SP, 6PL (M1, M2, M3, M4)
61	20046618	MOTOR-BLOW 3/4 HP (M7)
71	M0250558	TC SCREW (QTY 3)
81	0130F00038	AUX LIMIT - LT BLUE 120°
91	PCBBF132	PCB 2STAGE HYBRID FURNACE CNTL

**Expanded Model Nomenclature**

- M1 - AD SH800403AXAB
- M2 - AD SH800403AXAC
- M3 - AD SH800603AXAB
- M4 - AD SH800603AXAC
- M5 - AD SH800804BXAB
- M6 - AD SH800804BXAC
- M7 - AD SH801005CXAB

# Heat Exchange Assembly



# Heat Exchange Assembly

Ref. Part No:	Ref. Part No:	Description:	Description:
<b>Image 1:</b>			
11	0270F03529	HEAT EXCHANGER ASSY (M1, M2)	
11	0270F03530	HEAT EXCHANGER ASSY (M3, M4)	
11	0270F03532	HEAT EXCHANGER ASSY (M5, M6)	
11	0270F03534	HEAT EXCHANGER ASSY (M7)	
21	0121F00327	14" COLLECTOR BOX 1.125" DIA (M1, M2)	
21	0121F00364	14" FLUE COLLECTOR BOX 1.5"DIA (M3, M4)	
21	0121F00334	21" COLLECTOR BOX 1.625" DIA (M7)	
21	0121F00128	COLLECTOR BOX 17.5" 1.75 DIA (M5, M6)	
31	0128F00006	CHIMNEY TRANSITION BOTTOM	
41	0131M00002P	VENT MOTOR	
51	0151M00027	GAS VALVE (M2, M4, M6, M7)	
51	0151M00028	VALVE,GAS(HW)VR92 (M1, M3, M5)	
61	0120F00006	MANIFOLD (M1, M2)	
61	0120F00007	MANIFOLD (M3, M4)	
61	0120F00008	MANIFOLD (M5, M6)	
61	0120F00009	MANIFOLD (M7)	
71	10716005	ORIFICE (QTY 2)	
81	B4022700	INSHOT BURNER ASSY 3" (QTY 2)	
91	0121F00167	BURNER RACK, 2 CELL (M1, M2)	
91	0121F00168	BURNER RACK, 3 CELL (M3, M4)	
91	0121F00169	BURNER RACK, 4 CELL (M5, M6)	
91	0121F00170	BURNER RACK, 5 CELL (M7)	
101	0121F00162	TOP, BURNER BOX 2 CELL (M1, M2)	
101	0121F00163	TOP, BURNER BOX 3 CELL (M3, M4)	
101	0121F00164	TOP, BURNER BOX 4 CELL (M5, M6)	
101	0121F00165	TOP, BURNER BOX 5 CELL (M7)	
111	10123529	MANUAL RESET R.O.S. LIMIT	
121	0121F00146	BURNER BOX SIDE (QTY 2)	
131	0130F00010	FLAME SENSOR	
141	0130F00008	IGNITOR-SINI 17 SEC	
151	20162901	LIMIT-RED (M7)	
151	0130F00036	PRIMARY LIMIT - PINK 180° (M1, M2, M3, M4, M5, M6)	
161	4028000	ORIFICE PLATE, 2CELL (M1, M2)	
161	4028001	ORIFICE PLATE, 3CELL (M3, M4)	
161	4028002	ORIFICE PLATE, 4CELL (M5, M6)	
161	4028003	ORIFICE PLATE, 5CELL (M7)	
171	0154F00003	GASKET-14 INCH (M1, M2, M3, M4)	
171	0154F00004	GASKET-17.5 INCH (M5, M6)	
171	0154F00005	GASKET-21 INCH (M7)	
201	DY6.186.070	VENT MOTOR CAPACITOR	
NS	0259M00005	ADAPTER HARNESS	

## Expanded Model Nomenclature

M1 - AD SH800403AXAB
M2 - AD SH800403AXAC
M3 - AD SH800603AXAB
M4 - AD SH800603AXAC
M5 - AD SH800804BXAB
M6 - AD SH800804BXAC
M7 - AD SH801005CXAB