

ACVM 97% ECM Counter Flow Furnace

ACVM970603BNBA
ACVM970603BNBB
ACVM970603BNBC
ACVM970603BNBD
ACVM970803BNBA
ACVM970803BNBB
ACVM970803BNBC
ACVM970803BNBD
ACVM970804CNBA
ACVM970804CNBB
ACVM970804CNBC
ACVM970804CNBD
ACVM971005CNBA
ACVM971005CNBB
ACVM971005CNBC
ACVM971005CNBD



Amana® is a registered trademark of Maytag Corporation or its related companies and is used under license. All rights reserved.

This manual is to be used by qualified technicians only.

This manual replaces RP-A2319B

© 2019, 2021 - 2023 Goodman Company, L.P. ♦ 19001 Kermier Rd. ♦ Waller, TX 77484

Important Information

Index

Functional Parts List	3
Illustration and Parts	4 - 11

Views shown are for parts illustrations only, not servicing procedures.

Text Codes:

AR - As Required

NA - Not Available

NS - Not Shown

00000000 - See Note

QTY - Quantity Example (QTY 3) (If Quantity not shown, Quantity = 1)

M - Model Example (M1) (If M Code not shown, then part is used on all Models)

Expanded Model Nomenclature:

Example M1 - Model#1 M2 - Model#2 M3 - Model#3

Goodman Company, L.P. is not responsible for personal injury or property damage resulting from improper service. Review all service information before beginning repairs.

Warranty service must be performed by an authorized technician, using authorized factory parts. If service is required after the warranty expires, Goodman Company, L.P. also recommends contacting an authorized technician and using authorized factory parts.

Goodman Company, L.P. reserves the right to discontinue, or change at any time, specifications or designs without notice or without incurring obligations.

For assistance within the U.S.A. contact:

Homeowner Support
Goodman Company, L.P.
19001 Kermier Road
Waller, Texas 77484
877-254-4729-Telephone
713-863-2382-Facsimile

For assistance outside the U.S.A. contact:

International Division
Goodman Company, L.P.
19001 Kermier Road
Waller, Texas 77484
713-861-2500-Telephone
713-863-2382-Facsimile

Functional Parts

Part No: **Description:**

20162904	*PRIMARY LIMIT-TEMPERATURE CONTROL (M5, M6, M7, M8, M9, M10, M11, M12, M13, M14, M15, M16)
SHARED DATA	Available thru CoolCloud HVAC app.
0163F00017	BECKETT BURNER (QTY 3)
0130F00010	FLAME SENSOR
0151M00092	GAS VALVE, WR MOD
0257F00357	HEAT EXCHANGER ASSY (M13, M14, M15, M16)
0257F00356	HEAT EXCHANGER ASSY (M9, M10, M11, M12)
0257F00355	HEAT EXCHANGER ASSY (M5, M6, M7, M8)
0257F00332	HEAT EXCHANGER ASSY (M1, M2, M3, M4)
0130F00008	IGNITOR-SINI 17 SEC
0130M00141	INDUCTOR, 5.9 AMPS (M9, M10, M11, M12, M13, M14, M15, M16)
20162903	LIMIT, PRIMARY (M1, M2, M3, M4)
0130F00038	LIMIT, PRIMARY, 120, LT BLUE (QTY 2)
10123529	LIMIT-RESET MAN-GREEN (QTY 2)
0271F00507	MORRISON 11 X 10 BLOWER (M9, M10, M11, M12, M13, M14, M15, M16)
0271F00506	MORRISON 11 X 8 BLOWER (M1, M2, M3, M4, M5, M6, M7, M8)
0131M01011	MOTOR, 1 HP (M16)
0131M00272	MOTOR, 1 HP, SERIAL ECM (M13, M14, M15)
0131M01002	MOTOR, 1/2 HP (M3, M4, M7, M8)
0131M00270	MOTOR, 1/2 HP, SERIAL ECM (M1, M2, M5, M6)
0131M01003	MOTOR, 3/4 HP (M11, M12)
0131M00271	MOTOR, 3/4 HP, SERIAL ECM (M9, M10)
0171M00009	MOTOR, ID BLOWER
PCBCM100	PCB CONTROL (M1, M2, M3, M5, M6, M7, M9, M10, M11, M13, M14)
PCBKF204	PCB FURNACE CONTROL (M1, M2, M3, M5, M6, M7, M9, M10, M11, M13, M14)
PCBKF206	PCB FURNACE CONTROL (M4, M8, M12, M15, M16)
0130F00720	PRESSURE SWITCH (M1, M2, M3, M4)
0130F00722	PRESSURE SWITCH (M9, M10, M11, M12, M13, M14, M15, M16)
0130F00721	PRESSURE SWITCH (M5, M6, M7, M8)
0130F00429	PRESSURE SWITCH
0130M00140	TRANSFORMER,(120V TO 24V,40VA,

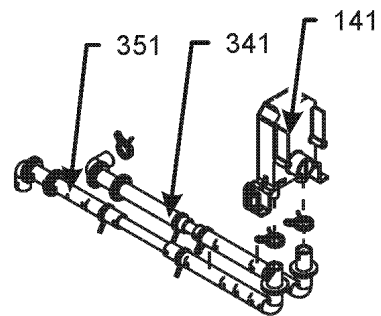
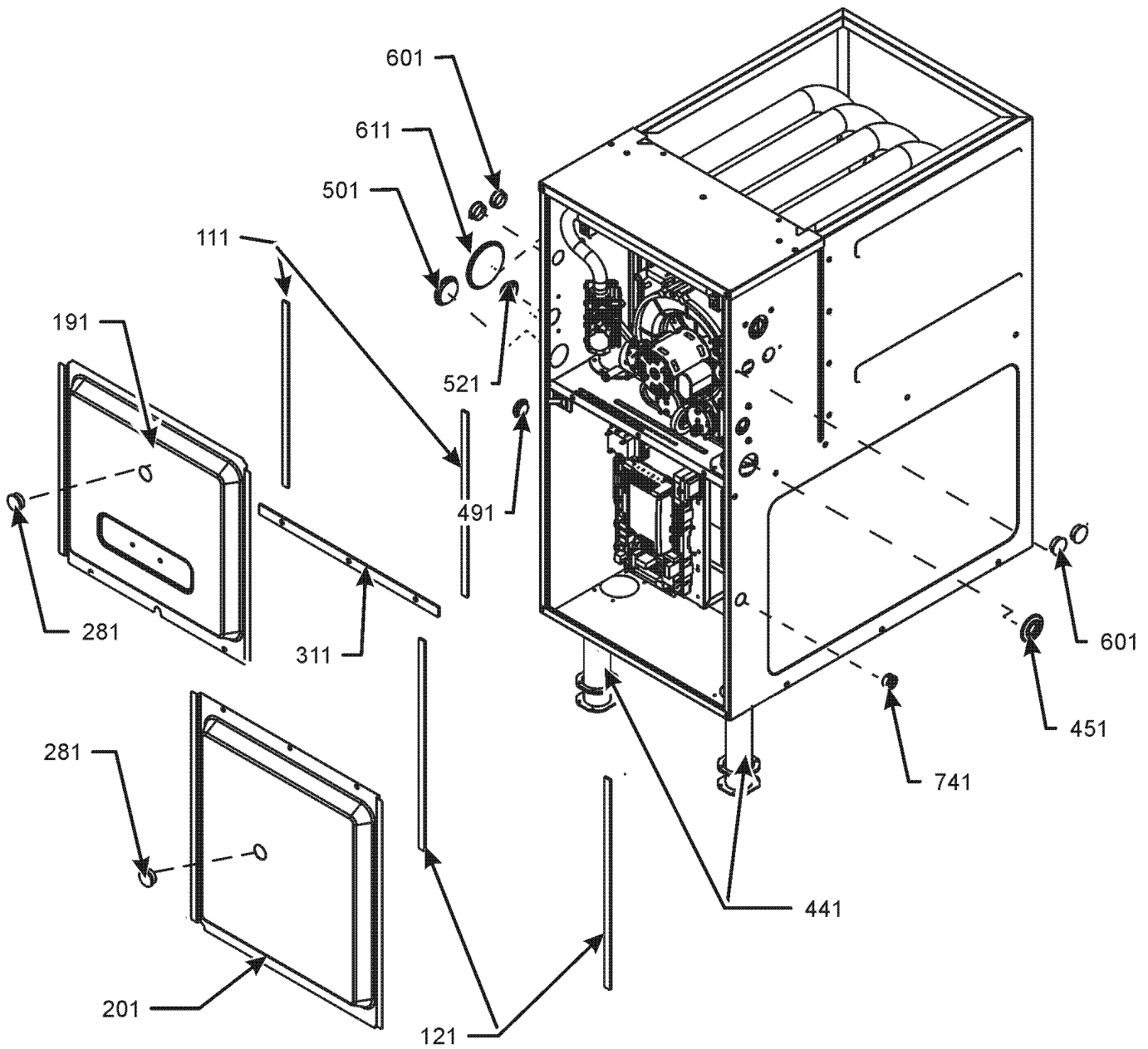
Expanded Model Nomenclature

M1 - ACVM970603BNBA
M2 - ACVM970603BNBB
M3 - ACVM970603BNBC
M4 - ACVM970603BNBD
M5 - ACVM970803BNBA
M6 - ACVM970803BNBB
M7 - ACVM970803BNBC
M8 - ACVM970803BNBD
M9 - ACVM970804CNBA
M10 - ACVM970804CNBB
M11 - ACVM970804CNBC
M12 - ACVM970804CNBD
M13 - ACVM971005CNBA
M14 - ACVM971005CNBB
M15 - ACVM971005CNBC
M16 - ACVM971005CNBD

SPECIAL PARTS

HIG-2001B	HOMEOWNERS INSTRUCTIONS
IOG-2017E	INSTALLATION, INSTRUCTIONS
0161M00032	NAMEPLATE, AMANA

Cabinet Assembly



DRAIN TRAP ASSEMBLY

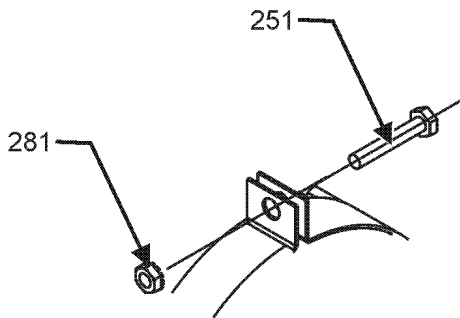
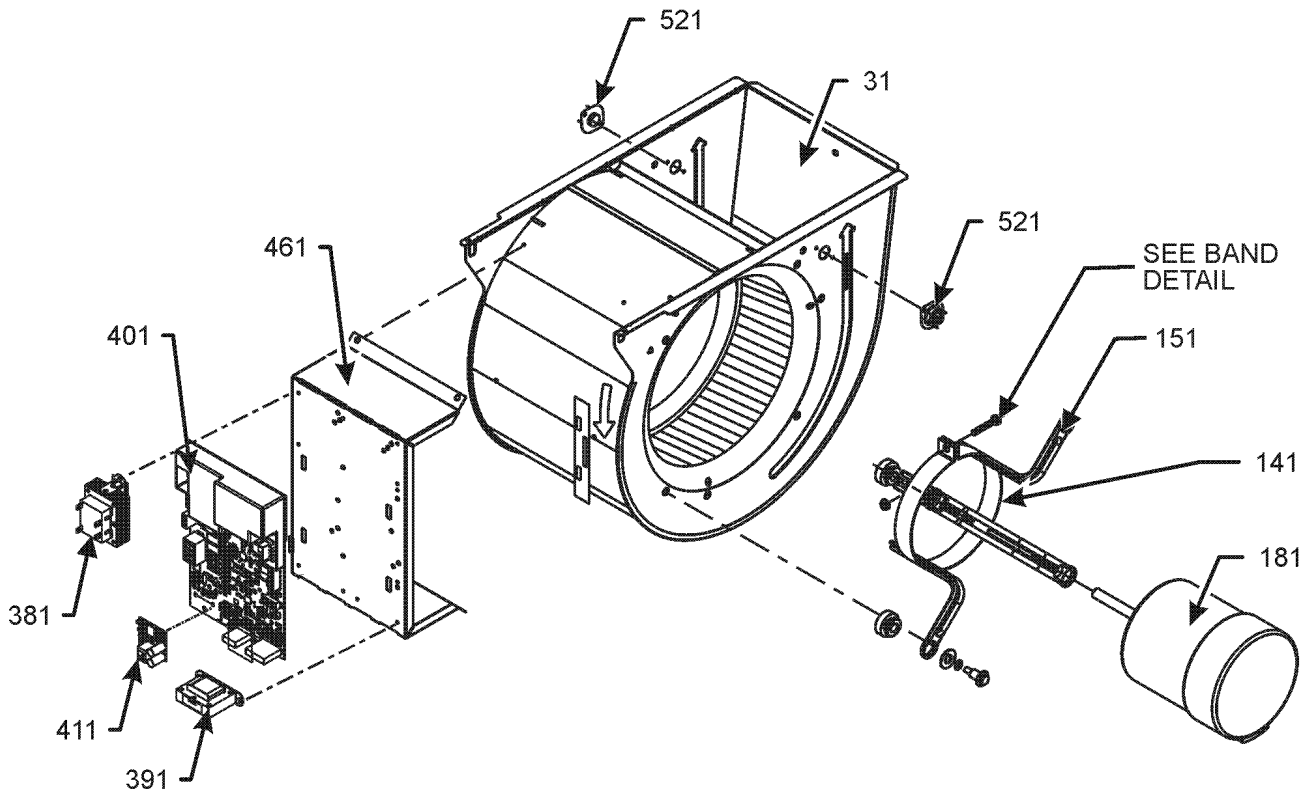
Cabinet Assembly

Ref. Part No:	Ref. Part No:	Description:	Description:
Image 1:		Expanded Model Nomenclature	
111	0154F00024	GASKET (QTY 2)	M1 - ACVM970603BNBA
121	0154F00025	GASKET (QTY 2)	M2 - ACVM970603BNBB
141	0161F00046	DRAIN TRAP	M3 - ACVM970603BNBC
191	0121F00338LG	DOOR ACCESS 21" PNT (M9, M10, M11, M12, M13, M14, M15, M16)	M4 - ACVM970603BNBD
191	0121F00337LG	DOOR, ACCESS 17.5" PNT (M1, M2, M3, M4, M5, M6, M7, M8)	M5 - ACVM970803BNBA
201	0121F00340LG	DOOR, BLOWER 17.5" PNT (M1, M2, M3, M4, M5, M6, M7, M8)	M6 - ACVM970803BNBB
201	0121F00341LG	DOOR, BLOWER 21" PNT (M9, M10, M11, M12, M13, M14, M15, M16)	M7 - ACVM970803BNBC
311	0154F00020	GASKET, DECK (M1, M2, M3, M4, M5, M6, M7, M8)	M8 - ACVM970803BNBD
311	0154F00021	GASKET, DECK (M9, M10, M11, M12, M13, M14, M15, M16)	M9 - ACVM970804CNBA
341	0270F03125	CF DRAIN TUBE ASSY (M1, M2, M3, M4, M5, M6, M7, M8)	M10 - ACVM970804CNBB
341	0270F03515	CF DRAIN TUBE ASSY (M9, M10, M11, M12, M13, M14, M15, M16)	M11 - ACVM970804CNBC
351	0270F03126	CF DRAIN TUBE ASSY (M9, M10, M11, M12, M13, M14, M15, M16)	M12 - ACVM970804CNBD
351	0270F03514	CF DRAIN TUBE ASSY (M1, M2, M3, M4, M5, M6, M7, M8)	M13 - ACVM971005CNBA
441	0161F00064	PIPE, STRAIGHT CF (QTY 2)	M14 - ACVM971005CNBB
451	M0501301	PIPE GROMMET	M15 - ACVM971005CNBC
491	M0570808	BUTTON PLUG	M16 - ACVM971005CNBD
501	M0570806	BUTTON PLUG	
521	0161M00027	PLUG, HOLE	
601	B1392021	PLASTIC PLUG, 1" (2713-BLK) (QTY 4)	
611	0163M00460	CLAMP-HOSE (QTY 2)	
741	B1392104	UNIVERSAL BUSHING UB 875	
NS	M0310345	BUTTON PLUG (QTY 2)	
NS	M0570807	BUTTON PLUG	
NS	0270F05403	DRAIN KIT ASSY	
NS	0154F00041	FRESH AIR GASKET (QTY 2)	
NS	0163M00319	HEX-NUT INSERT (QTY 3)	
NS	HIG-2001B	HOMEOWNERS INSTRUCTIONS	
NS	IOG-2017E	INSTALLATION, INSTRUCTIONS	
NS	0161M00032	NAMEPLATE, AMANA	
NS	M0273904	RETAINER-SCREW (QTY 3)	
NS	M0209730	SCREW-DECORATIVE (QTY 3)	
NS	B1392139	VIEW PORT BUSHING-BLOWER DOOR (QTY 2)	

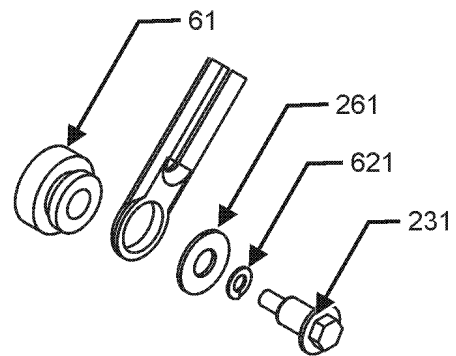
Blower Assembly

BLOWER ASSEMBLY

*If end bells are needed please order the following:
0131M00182 - 1/2 HP
0131M00183 - 3/4 HP
0131M00184 - 1 HP



BAND DETAIL



BLOWER ARM DETAIL

BLOWER ASSEMBLY MAY DIFFER FROM WHAT IS SHOWN

Blower Assembly

Ref. Part No:	Ref. Part No:	Description:	Description:
Image 1:		Image 1:	
31	0271F00507	MORRISON 11 X 10 BLOWER (M9, M10, M11, M12, M13, M14, M15, M16)	NS 0259F00041 HARNESS-POWER (M9, M10, M11, M12, M13, M14, M15, M16)
31	0271F00506	MORRISON 11 X 8 BLOWER (M1, M2, M3, M4, M5, M6, M7, M8)	NS 0259F00279 HARNESS-POWER W/FERRITE (M1, M2, M3, M4, M5, M6, M7, M8)
61	A4002702	BLOWER MOTOR GROMMET (M9, M10, M11, M12, M13, M14, M15, M16)	NS B1392021 PLASTIC PLUG, 1" (2713-BLK) (QTY 4)
141	0121M00038	MOTOR MOUNT BAND (M1, M2, M3, M4, M5, M6, M7, M8)	NS 0259F00024 WIRE HARNESS-BLOWER
141	10441601	MOTOR MOUNT BAND (M9, M10, M11, M12, M13, M14, M15, M16)	NS 0159F00150 WIRING HARNESS (M4, M8, M9, M10, M11, M12, M13, M14, M15, M16)
151	10441501	MOTOR MOUNT ARM (M9, M10, M11, M12, M13, M14, M15, M16)	
151	B1376857	MOTOR MOUNT ARM (M1, M2, M3, M4, M5, M6, M7, M8)	
181	0131M01011	MOTOR, 1 HP (M16)	
181	0131M00272	MOTOR, 1 HP, SERIAL ECM (M13, M14, M15)	
181	0131M01002	MOTOR, 1/2 HP (M3, M4, M7, M8)	
181	0131M00270	MOTOR, 1/2 HP, SERIAL ECM (M1, M2, M5, M6)	
181	0131M01003	MOTOR, 3/4 HP (M11, M12)	
181	0131M00271	MOTOR, 3/4 HP, SERIAL ECM (M9, M10)	
231	0163F00028	SCREW (M9, M10, M11, M12, M13, M14, M15, M16)	
231	M0250565	SCREW-TC 1.25" (M1, M2, M3, M4, M5, M6, M7, M8)	
251	M0267144	MACHINE SCREW (M9, M10, M13, M14, M15, M16)	
251	B1393323	MACHINE SCREW HWH 1/4-20 X 1-1/2 BZ (M1, M2, M3, M4, M5, M6, M7, M8, M11, M12)	
261	B1392918	WASHER, FLAT 1/4 ID X 1 OD (M1, M2, M3, M4, M5, M6, M7, M8)	
261	M0274008	WASHER-FLAT (M9, M10, M11, M12, M13, M14, M15, M16)	
281	M0282015	KEPS NUT (M9, M10, M13, M14, M15, M16)	
281	B1393800	LOCKNUT, NYLON, INSERT 1/4, 20 (M1, M2, M3, M4, M5, M6, M7, M8, M11, M12)	
381	0130M00140	TRANSFORMER, (120V TO 24V, 40VA,	
391	0130M00141	INDUCTOR, 5.9 AMPS (M9, M10, M11, M12, M13, M14, M15, M16)	
401	PCBKF204	PCB FURNACE CONTROL (M1, M2, M3, M5, M6, M7, M9, M10, M11, M13, M14)	
401	PCBKF206	PCB FURNACE CONTROL (M4, M8, M12, M15, M16)	
411	PCBCM100	PCB CONTROL (M1, M2, M3, M5, M6, M7, M9, M10, M11, M13, M14)	
461	0121F00464	MOUNTING PLATE - CONTROLS	
521	0130F00038	LIMIT, PRIMARY, 120, LT BLUE (QTY 2)	
621	B1392820	WASHER, SPLIT LOCK 1/4 BZ (M9, M10, M11, M12, M13, M14, M15, M16)	
NS	SHARED DATA	Available thru CoolCloud HVAC app.	
NS	0159F00083	CABLE, RJ12 (M1, M2, M3, M5, M6, M7, M9, M10, M11, M13, M14)	
NS	0259F00040	HARNESS, CONTROL	
NS	0159F00109	HARNESS, WIRING (M1, M2, M3, M5, M6, M7)	
NS	0259F00292	HARNESS-MAIN W/ FERRITE (M9, M10, M11, M12, M13, M14, M15, M16)	

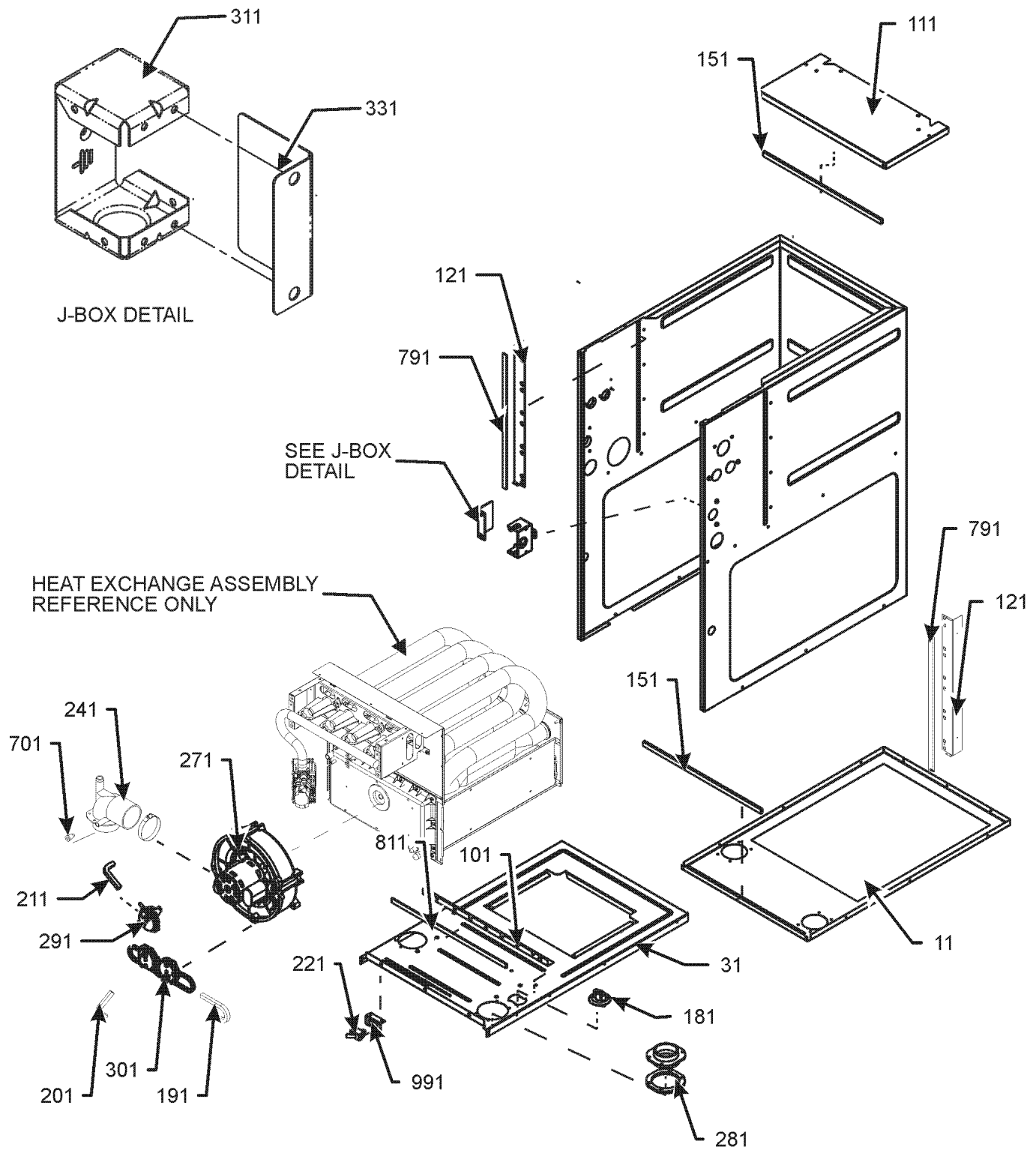
Expanded Model Nomenclature

- M1 - ACVM970603BNBA
- M2 - ACVM970603BNBB
- M3 - ACVM970603BNBC
- M4 - ACVM970603BNBD
- M5 - ACVM970803BNBA
- M6 - ACVM970803BNBB
- M7 - ACVM970803BNBC
- M8 - ACVM970803BNBD
- M9 - ACVM970804CNBA
- M10 - ACVM970804CNBB
- M11 - ACVM970804CNBC
- M12 - ACVM970804CNBD
- M13 - ACVM971005CNBA
- M14 - ACVM971005CNBB
- M15 - ACVM971005CNBC
- M16 - ACVM971005CNBD

*If end bells are needed please order the following:

- 0131M00182 - 1/2 HP
- 0131M00183 - 3/4 HP
- 0131M00184 - 1 HP

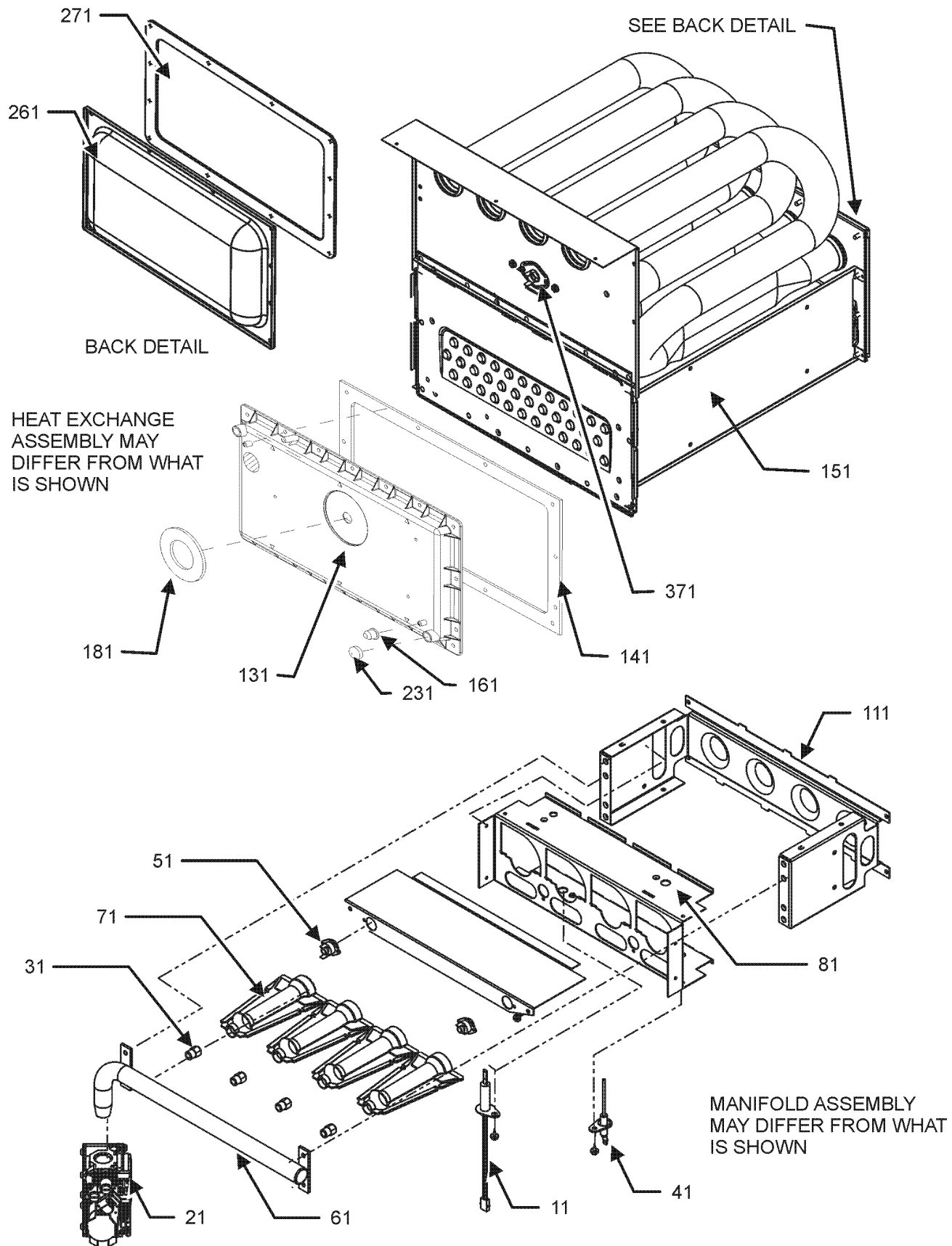
Chassis Assembly



Chassis Assembly

Ref. Part No:	Ref. Part No:	Description:	Description:
Image 1:		Image 1:	
11	0121F00548DG	PAINTED BASEPAN, 17.5 CF (M1, M2, M3, M4, M5, M6, M7, M8)	NS 0160F00012 INSULATION-BACK 17.5" (M1, M2, M3, M4, M5, M6, M7, M8)
11	0121F00549DG	PAINTED BASEPAN, 21 CF (M9, M10, M11, M12, M13, M14, M15, M16)	NS 0160F00013 INSULATION-BACK 21" (M9, M10, M11, M12, M13, M14, M15, M16)
31	0121F00536	DECK-BLOWER 17.5" CF (M1, M2, M3, M4, M5, M6, M7, M8)	Expanded Model Nomenclature M1 - ACVM970603BNBA M2 - ACVM970603BNBB M3 - ACVM970603BNBC M4 - ACVM970603BNBD M5 - ACVM970803BNBA M6 - ACVM970803BNBB M7 - ACVM970803BNBC M8 - ACVM970803BNBD M9 - ACVM970804CNBA M10 - ACVM970804CNBB M11 - ACVM970804CNBC M12 - ACVM970804CNBD M13 - ACVM971005CNBA M14 - ACVM971005CNBB M15 - ACVM971005CNBC M16 - ACVM971005CNBD
31	0121F00537	DECK-BLOWER 21" CF (M9, M10, M11, M12, M13, M14, M15, M16)	
101	0121F00314	ANGLE, DECK (M1, M2, M3, M4, M5, M6, M7, M8)	
101	0121F00315	ANGLE, DECK (M9, M10, M11, M12, M13, M14, M15, M16)	
111	0121F00426DG	TOP, PAINTED FURNACE 17.5" CF (M1, M2, M3, M4, M5, M6, M7, M8)	
111	0121F00434DG	TOP, PAINTED FURNACE 21" CF (M9, M10, M11, M12, M13, M14, M15, M16)	
121	0121F00313	ANGLE, SIDE (QTY 2)	
151	20179309	GASKET-FA (M1, M2, M3, M4, M5, M6, M7, M8)	
151	20179310	GASKET-FA (M9, M10, M11, M12, M13, M14, M15, M16)	
181	0159F00109	HARNESS, WIRING (M1, M2, M3, M5, M6, M7)	
181	0259F00292	HARNESS-MAIN W/ FERRITE (M9, M10, M11, M12, M13, M14, M15, M16)	
191	0164M00122	HOSE- PRESSURE SW 19" (M1, M2, M3, M4, M5, M6, M7, M8)	
191	0164M00123	HOSE- PRESSURE SW 25" (M9, M10, M11, M12, M13, M14, M15, M16)	
201	0164M00115	HOSE- PRESSURE SW 6"	
211	0164M00117	HOSE- PRESSURE SW 8" (M9, M10, M11, M12, M13, M14, M15, M16)	
221	0130M00243	INTERLOCK SWITCH	
241	0164F00026	ELBOW-FLUE, 17.5" CFLOW (M1, M2, M3, M4, M5, M6, M7, M8)	
241	0164F00027	ELBOW-FLUE, 21" CFLOW (M9, M10, M11, M12, M13, M14, M15, M16)	
271	0171M00009	MOTOR, ID BLOWER	
281	0161F00037	COUPLING	
291	0130F00429	PRESSURE SWITCH	
301	0130F00720	PRESSURE SWITCH (M1, M2, M3, M4)	
301	0130F00721	PRESSURE SWITCH (M5, M6, M7, M8)	
301	0130F00722	PRESSURE SWITCH (M9, M10, M11, M12, M13, M14, M15, M16)	
311	0161F00042	JUNCTION BOX PLA	
331	0161F00043	JUNCTION BOX LID	
791	0154F00015	GASKET (QTY 2)	
811	0154F00014	GASKET (M1, M2, M3, M4, M5, M6, M7, M8)	
811	0154F00016	GASKET (M9, M10, M11, M12, M13, M14, M15, M16)	
991	0121F00389	BRAKET, DOOR SWITCH	
NS	0161F00046	DRAIN TRAP	
NS	0160F00015	INSULATION, HT EXCHANGER 17.5" (M1, M2, M3, M4, M5, M6, M7, M8)	
NS	0160F00016	INSULATION, HT EXCHANGER 21" (M9, M10, M11, M12, M13, M14, M15, M16)	
NS	0160F00018	INSULATION, SIDE (QTY 2)	

Heat Exchange Assembly



Heat Exchange Assembly

Ref. Part No:	Ref. Part No:	Description:	Description:
Image 1:		Expanded Model Nomenclature	
11	0130F00008	IGNITOR-SINI 17 SEC	M1 - ACVM970603BNBA
21	0151M00092	GAS VALVE, WR MOD	M2 - ACVM970603BNBB
31	10716005	ORIFICE, #45 DRILL (QTY 3)	M3 - ACVM970603BNBC
41	0130F00010	FLAME SENSOR	M4 - ACVM970603BNBD
51	10123529	LIMIT-RESET MAN-GREEN (QTY 2)	M5 - ACVM970803BNBA
61	0163F00008	MANIFOLD (M1, M2, M3, M4)	M6 - ACVM970803BNBB
61	0163F00009	MANIFOLD (M9, M10, M11, M12)	M7 - ACVM970803BNBC
61	0163F00010	MANIFOLD (M13, M14, M15, M16)	M8 - ACVM970803BNBD
61	0163F00014	MANIFOLD (M5, M6, M7, M8)	M9 - ACVM970804CNBA
71	0163F00017	BECKETT BURNER (QTY 3)	M10 - ACVM970804CNBB
81	0121F00455	BRACKET-BURNER 3 (M1, M2, M3, M4)	M11 - ACVM970804CNBC
81	0121F00454	BRACKET-BURNER 4 (M5, M6, M7, M8, M9, M10, M11, M12)	M12 - ACVM970804CNBD
81	0121F00453	BRACKET-BURNER 5 (M13, M14, M15, M16)	M13 - ACVM971005CNBA
111	0121F00458	ORIFICE BRACKET-BURNER 3 (M1, M2, M3, M4)	M14 - ACVM971005CNBB
111	0121F00457	ORIFICE BRACKET-BURNER 4 (M5, M6, M7, M8, M9, M10, M11, M12)	M15 - ACVM971005CNBC
111	0121F00452	ORIFICE BRACKET-BURNER 5 (M13, M14, M15, M16)	M16 - ACVM971005CNBD
131	0161F00027	COVER, FRONT (M13, M14, M15, M16)	
131	0161F00031	COVER, FRONT (M5, M6, M7, M8)	
131	0161F00056	COVER, FRONT (M1, M2, M3, M4)	
131	0161F00065	COVER,FRONT (M9, M10, M11, M12)	
141	0154F00026	GASKET FRONT COVER (M1, M2, M3, M4, M5, M6, M7, M8)	
141	0154F00030	GASKET FRONT COVER (M9, M10, M11, M12, M13, M14, M15, M16)	
151	0257F00332	HEAT EXCHANGER ASSY (M1, M2, M3, M4)	
151	0257F00355	HEAT EXCHANGER ASSY (M5, M6, M7, M8)	
151	0257F00356	HEAT EXCHANGER ASSY (M9, M10, M11, M12)	
151	0257F00357	HEAT EXCHANGER ASSY (M13, M14, M15, M16)	
161	M0326804	TUBE PLUG	
181	0154F00043	GASKET ID BLOWER	
231	A1781105	CAP-VINYL .500	
261	0121F00317	COVER, REAR (M1, M2, M3, M4, M5, M6, M7, M8)	
261	0121F00318	COVER, REAR (M9, M10, M11, M12, M13, M14, M15, M16)	
271	0154F00037	GASKET, REAR CVR (M1, M2, M3, M4, M5, M6, M7, M8)	
271	0154F00038	GASKET, REAR CVR (M9, M10, M11, M12, M13, M14, M15, M16)	
371	20162904	*PRIMARY LIMIT-TEMPERATURE CONTROL (M5, M6, M7, M8, M9, M10, M11, M12, M13, M14, M15, M16)	
371	20162903	LIMIT, PRIMARY (M1, M2, M3, M4)	
NS	0121F00415	BAFFLE, AIR FURN	
NS	0121F00439	HEAT SHIELD-PRIMARY LIMIT	
NS	0121F00540	SHEILD, BURNER (M1, M2, M3, M4)	
NS	0121F00541	SHEILD, BURNER (M5, M6, M7, M8, M9, M10, M11, M12)	
NS	0121F00542	SHEILD, BURNER (M13, M14, M15, M16)	
NS	0121F00355	SHIELD, COIL (QTY 2)	