

ACVC 96% Two Stage Variable Speed CF Furnace

ACVC960403BNBA
ACVC960403BNBB
ACVC960403BNBC
ACVC960603BNBA
ACVC960603BNBB
ACVC960603BNBC
ACVC960804CNBA
ACVC960804CNBB
ACVC960804CNBC
ACVC961005CNBA
ACVC961005CNBB
ACVC961005CNBC
ACVC961205DNBA
ACVC961205DNBB
ACVC961205DNBC



Amana® is a registered trademark of Maytag Corporation or its related companies and is used under license. All rights reserved.

This manual is to be used by qualified technicians only.

This manual replaces RP-A2312C.

© 2021 - 2023 Goodman Company, L.P. ♦ 19001 Kermier Rd. ♦ Waller, TX 77484

Important Information

Index

Functional Parts List	3
Illustration and Parts	4 - 11

Views shown are for parts illustrations only, not servicing procedures.

Text Codes:

AR - As Required

NA - Not Available

NS - Not Shown

00000000 - See Note

QTY - Quantity Example (QTY 3) (If Quantity not shown, Quantity = 1)

M - Model Example (M1) (If M Code not shown, then part is used on all Models)

Expanded Model Nomenclature:

Example M1 - Model#1 M2 - Model#2 M3 - Model#3

Goodman Company, L.P. is not responsible for personal injury or property damage resulting from improper service. Review all service information before beginning repairs.

Warranty service must be performed by an authorized technician, using authorized factory parts. If service is required after the warranty expires, Goodman Company, L.P. also recommends contacting an authorized technician and using authorized factory parts.

Goodman Company, L.P. reserves the right to discontinue, or change at any time, specifications or designs without notice or without incurring obligations.

For assistance within the U.S.A. contact:

Homeowner Support
Goodman Company, L.P.
19001 Kermier Road
Waller, Texas 77484
877-254-4729-Telephone
713-863-2382-Facsimile

For assistance outside the U.S.A. contact:

International Division
Goodman Company, L.P.
19001 Kermier Road
Waller, Texas 77484
713-861-2500-Telephone
713-863-2382-Facsimile

Functional Parts

Part

No: **Description:**

Part No:	Description:	Expanded Model Nomenclature
20162904	*PRIMARY LIMIT-TEMPERATURE CONTROL (M7, M8, M9)	M1 - ACVC960403BNBA
SHARED DATA	Available thru CoolCloud HVAC app.	M2 - ACVC960403BNBB
0163F00017	BECKETT BURNER (QTY 2)	M3 - ACVC960403BNBC
0271F00462	BLOWER HOUSING ASSY (M1, M2, M3)	M4 - ACVC960603BNBA
0130F00010	FLAME SENSOR	M5 - ACVC960603BNBB
0151M00027	GAS VALVE	M6 - ACVC960603BNBC
0257F00362	HEAT EXCHANGER ASSY (M4, M5, M6)	M7 - ACVC960804CNBA
0257F00361	HEAT EXCHANGER ASSY (M1, M2, M3)	M8 - ACVC960804CNBB
0257F00364	HEAT EXCHANGER ASSY (M10, M11, M12)	M9 - ACVC960804CNBC
0257F00365	HEAT EXCHANGER ASSY (M13, M14, M15)	M10 - ACVC961005CNBA
0257F00363	HEAT EXCHANGER ASSY (M7, M8, M9)	M11 - ACVC961005CNBB
0130F00008	IGNITOR-SINI 17 SEC	M12 - ACVC961005CNBC
0130M00141	INDUCTOR, 5.9 AMPS (M7, M8, M9, M10, M11, M12, M13, M14, M15)	M13 - ACVC961205DNBA
0130M00243	INTERLOCK SWITCH	M14 - ACVC961205DNBB
10123527	MANUAL RESET LIMIT (M13, M14, M15)	M15 - ACVC961205DNBC
0130F00123	MANUAL RESET LIMIT (M7, M8, M9, M10, M11, M12)	
10123538	MANUAL RESET LIMIT-TAN (M4, M5, M6)	
10123533	MANUAL RESET LIMIT-YELLOW (M1, M2, M3)	
0271F00507	MORRISON 11 X 10 BLOWER (M7, M8, M9, M10, M11, M12)	
0271F00508	MORRISON 11 X 11 BLOWER (M13, M14, M15)	
0271F00506	MORRISON 11 X 8 BLOWER (M4, M5, M6)	
0131M00272	MOTOR, 1 HP, SERIAL ECM (M10, M11, M13, M14)	
0131M01002	MOTOR, 1/2 HP (M3, M6)	
0131M00270	MOTOR, 1/2 HP, SERIAL ECM (M1, M2, M4, M5)	
0131M01003	MOTOR, 3/4 HP (M9)	
0131M00271	MOTOR, 3/4 HP, SERIAL ECM (M7, M8)	
0171M00002	MOTOR-ID, BLOWER	
PCBCM100	PCB CONTROL (M1, M4, M7, M10, M13)	
PCBKF107	PCB, CONTROL BOARD (M1, M4, M7, M10, M13)	
PCBKF109	PCB, CONTROL BOARD (M2, M3, M5, M6, M8, M9, M11, M12, M14, M15)	
0130F00433	PRESSURE SWITCH (M1, M2, M3)	
0130F00429	PRESSURE SWITCH (M4, M5, M6, M7, M8, M9, M10, M11, M12, M13, M14, M15)	
0130F00443	PRESSURE SWITCH (M13, M14, M15)	
0130F00435	PRESSURE SWITCH (M4, M5, M6)	
0130F00436	PRESSURE SWITCH (M7, M8, M9)	
0130F00434	PRESSURE SWITCH (M10, M11, M12)	
0130F00485	PRESSURE SWITCH (M1, M2, M3)	
0130F00038	PRIMARY LIMIT - LT BLUE 120° (QTY 2)	
0130F00036	PRIMARY LIMIT - PINK 180° (M13, M14, M15)	
0130F00035	PRIMARY LIMIT - PURPLE 220° (M4, M5, M6)	
20162906	PRIMARY LIMIT - WHITE (M1, M2, M3, M10, M11, M12)	
0130M00140	TRANSFORMER,(120V TO 24V,40VA,	
0150M00043	WHEEL, BLOWER (10 X 8) (M1, M2, M3)	

SPECIAL PARTS

0161M00032 NAMEPLATE, AMANA

Cabinet Assembly

IMAGE 1

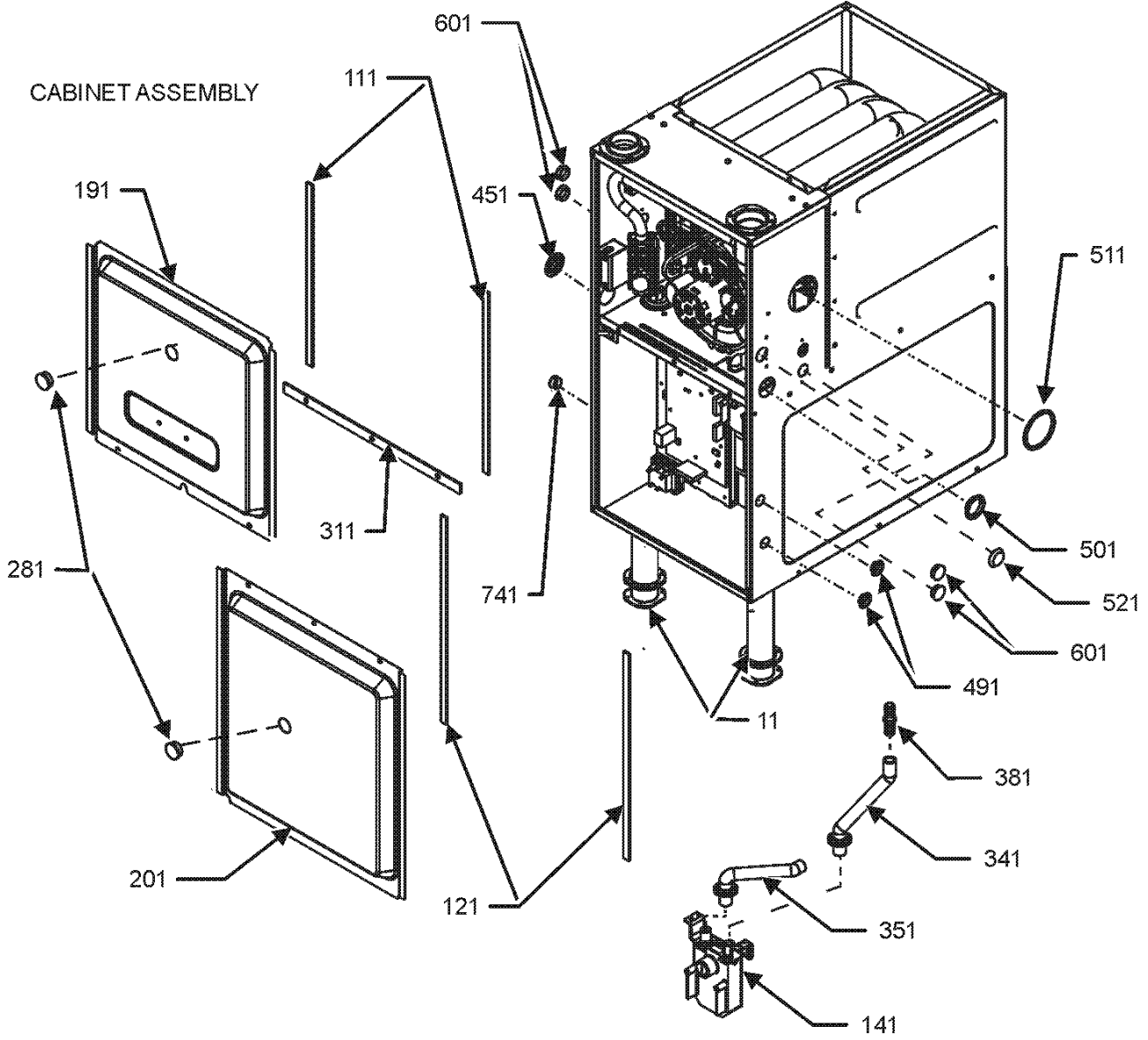
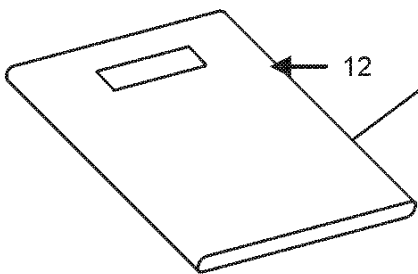
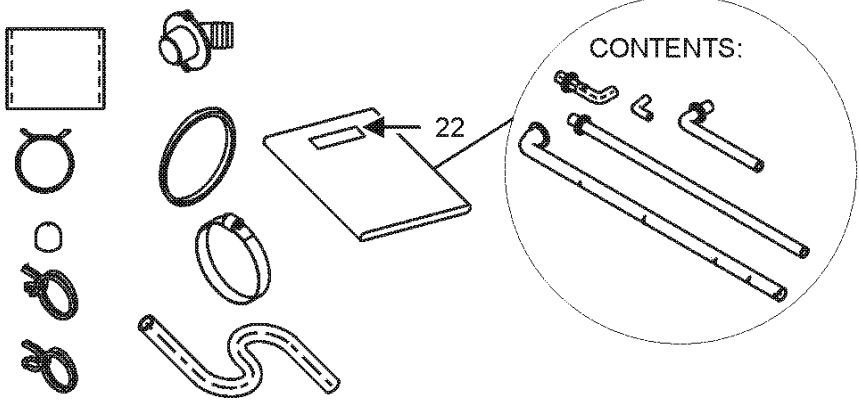


IMAGE 2



DRAIN PART BAG ASSEMBLY

CONTENTS:



Cabinet Assembly

Ref. Part No:	Part No:	Description:	Ref. Part No:	Part No:	Description:
Image 1:			Expanded Model Nomenclature		
11	0161F00064	PIPE, STRAIGHT CF (QTY 2)	M1	-	ACVC960403BNBA
111	0154F00024	GASKET (QTY 2)	M2	-	ACVC960403BNBB
121	0154F00025	GASKET (QTY 2)	M3	-	ACVC960403BNBC
141	0161F00046	DRAIN TRAP	M4	-	ACVC960603BNBA
191	0121F00338LG	DOOR ACCESS 21" PNT (M7, M8, M9, M10, M11, M12)	M5	-	ACVC960603BNBB
191	0121F00337LG	DOOR, ACCESS 17.5" PNT (M1, M2, M3, M4, M5, M6)	M6	-	ACVC960603BNBC
191	0121F00339LG	DOOR, ACCESS 24.5" PNT (M13, M14, M15)	M7	-	ACVC960804CNBA
201	0121F00340LG	DOOR, BLOWER 17.5" PNT (M1, M2, M3, M4, M5, M6)	M8	-	ACVC960804CNBB
201	0121F00341LG	DOOR, BLOWER 21" PNT (M7, M8, M9, M10, M11, M12)	M9	-	ACVC960804CNBC
201	0121F00342LG	DOOR, BLOWER 24.5" PNT (M13, M14, M15)	M10	-	ACVC961005CNBA
281	B1392139	VIEW PORT BUSHING-BLOWER DOOR (QTY 2)	M11	-	ACVC961005CNBB
311	0154F00020	GASKET, DECK (M1, M2, M3, M4, M5, M6)	M12	-	ACVC961005CNBC
311	0154F00021	GASKET, DECK (M7, M8, M9, M10, M11, M12)	M13	-	ACVC961205DNBA
311	0154F00022	GASKET, DECK (M13, M14, M15)	M14	-	ACVC961205DNBB
341	0270F03514	CF DRAIN TUBE ASSY (M1, M2, M3, M4, M5, M6)	M15	-	ACVC961205DNBC
341	0270F03515	CF DRAIN TUBE ASSY (M7, M8, M9, M10, M11, M12)			
341	0270F03516	CF DRAIN TUBE ASSY (M13, M14, M15)			
351	0270F03125	CF DRAIN TUBE ASSY (M1, M2, M3, M4, M5, M6)			
351	0270F03126	CF DRAIN TUBE ASSY (M7, M8, M9, M10, M11, M12)			
351	0270F03127	CF DRAIN TUBE ASSY (M13, M14, M15)			
381	0161F00037	COUPLING			
451	M0501301	PIPE GROMMET			
491	M0570808	BUTTON PLUG			
501	M0570806	BUTTON PLUG			
511	M0570807	BUTTON PLUG			
521	0161M00027	PLUG, HOLE			
601	B1392021	PLASTIC PLUG, 1" (2713-BLK) (QTY 4)			
741	B1392104	UNIVERSAL BUSHING UB 875			
NS	M0310345	BUTTON PLUG (QTY 2)			
NS	0163M00319	HEX NUT-INSERT (QTY 3)			
NS	0161M00032	NAMEPLATE, AMANA			
NS	M0273904	RETAINER SCREW (QTY 3)			
NS	M0209730	SCREW-DECORATIVE (QTY 3)			
Image 2:					
12	0270F05403	DRAIN KIT ASSY			
22	0270F05403	DRAIN KIT ASSY			

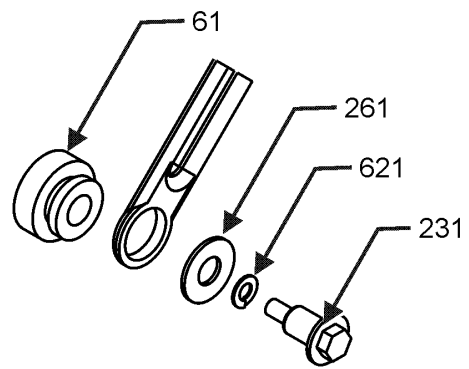
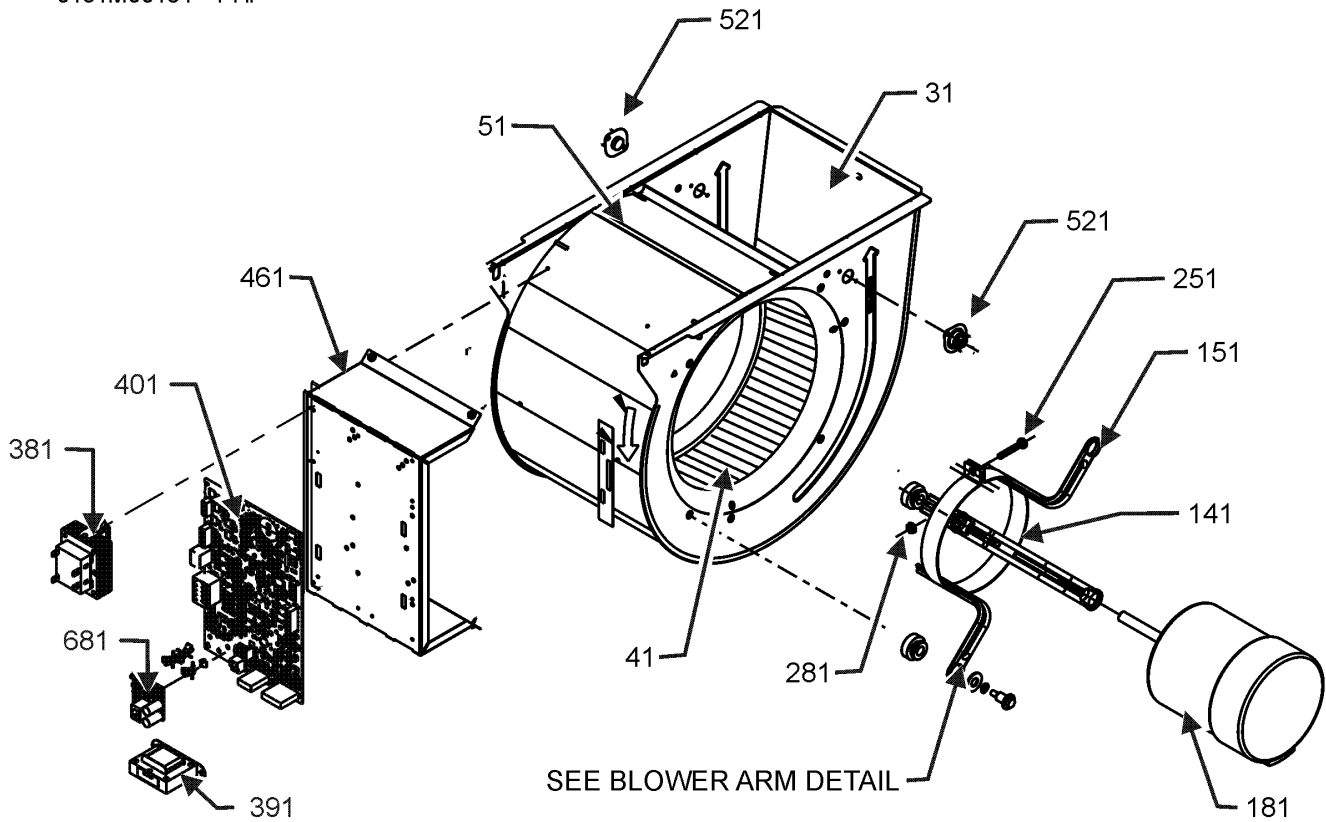
Blower Assembly

*If end bells are needed please order the following:

0131M00182 - 1/2 HP

0131M00183 - 3/4 HP

0131M00184 - 1 HP



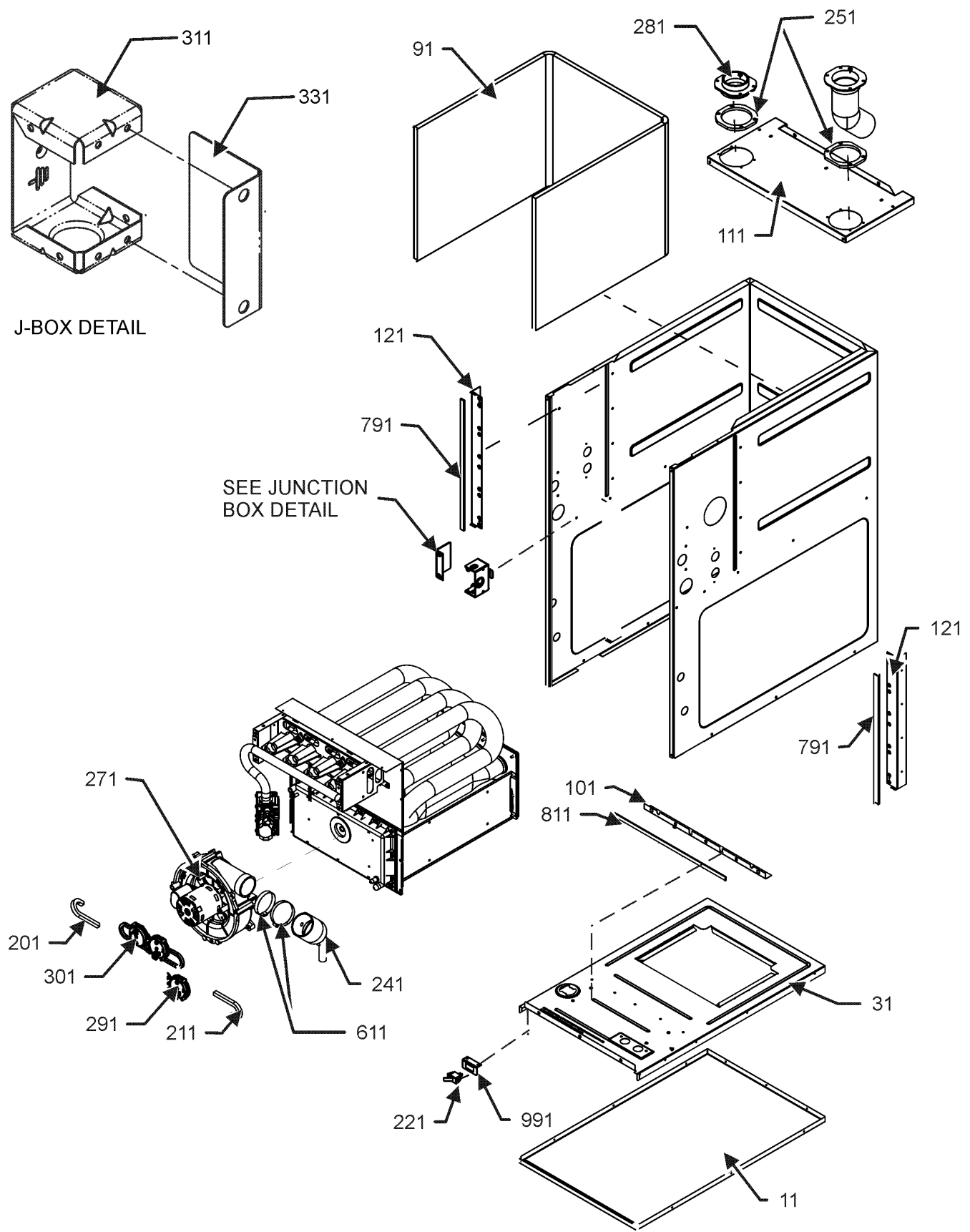
BLOWER ARM DETAIL

Blower Assembly

Ref. Part No:	Ref. Part No:	Description:	Description:
Image 1:		Expanded Model Nomenclature	
31	0271F00462	BLOWER HOUSING ASSY (M1, M2, M3)	M1 - ACVC960403BNBA
31	0271F00507	MORRISON 11 X 10 BLOWER (M7, M8, M9, M10, M11, M12)	M2 - ACVC960403BNBB
31	0271F00508	MORRISON 11 X 11 BLOWER (M13, M14, M15)	M3 - ACVC960403BNBC
31	0271F00506	MORRISON 11 X 8 BLOWER (M4, M5, M6)	M4 - ACVC960603BNBA
41	0150M00043	WHEEL, BLOWER (10 X 8) (M1, M2, M3)	M5 - ACVC960603BNBB
51	764740	BLWR BLK-OFF, 10X8 (M1, M2, M3)	M6 - ACVC960603BNBC
61	A4002702	BLOWER MOTOR GROMMET (M7, M8, M9, M10, M11, M12, M13, M14, M15)	M7 - ACVC960804CNBA
141	0121M00038	MOTOR MOUNT BAND (M1, M2, M3, M4, M5, M6)	M8 - ACVC960804CNBB
141	10441601	MOTOR MOUNT BAND (M7, M8, M9, M10, M11, M12, M13, M14, M15)	M9 - ACVC960804CNBC
151	10441501	MOTOR MOUNT ARM (M7, M8, M9, M10, M11, M12, M13, M14, M15)	M10 - ACVC961005CNBA
151	B1376857	MOTOR MOUNT ARM (M1, M2, M3, M4, M5, M6)	M11 - ACVC961005CNBB
181	0131M00272	MOTOR, 1 HP, SERIAL ECM (M10, M11, M13, M14)	M12 - ACVC961005CNBC
181	0131M01002	MOTOR, 1/2 HP (M3, M6)	M13 - ACVC961205DNBA
181	0131M00270	MOTOR, 1/2 HP, SERIAL ECM (M1, M2, M4, M5)	M14 - ACVC961205DNBB
181	0131M01003	MOTOR, 3/4 HP (M9)	M15 - ACVC961205DNBC
181	0131M00271	MOTOR, 3/4 HP, SERIAL ECM (M7, M8)	
231	0163F00028	SCREW (M7, M8, M9, M10, M11, M12, M13, M14, M15)	
231	M0250565	TC SCREW 1.25" (M1, M2, M3, M4, M5, M6)	
251	M0267144	MACHINE SCREW (M7, M8, M10, M11, M12, M13, M14, M15)	
251	B1393323	MACHINE SCREW HWH 1/4-20 X 1-1/2 BZ (M1, M2, M3, M4, M5, M6, M9)	
261	B1392918	WASHER, FLAT 1/4 ID X 1 OD (M1, M2, M3, M4, M5, M6)	
261	M0274008	WASHER-FLAT (M7, M8, M9, M10, M11, M12, M13, M14, M15)	
281	M0282015	KEPS NUT (M7, M8, M10, M11, M12, M13, M14, M15)	
281	B1393800	LOCKNUT, NYLON, INSERT 1/4, 20 (M1, M2, M3, M4, M5, M6, M9)	
381	0130M00140	TRANSFORMER, (120V TO 24V, 40VA,	
391	0130M00141	INDUCTOR, 5.9 AMPS (M7, M8, M9, M10, M11, M12, M13, M14, M15)	
401	PCBKF107	PCB, CONTROL BOARD (M1, M4, M7, M10, M13)	
401	PCBKF109	PCB, CONTROL BOARD (M2, M3, M5, M6, M8, M9, M11, M12, M14, M15)	
461	0121F00464	MOUNTING PLATE-CONTROLS	
521	0130F00038	PRIMARY LIMIT - LT BLUE 120° (QTY 2)	
621	B1392820	WASHER, SPLIT LOCK 1/4 BZ (M7, M8, M9, M10, M11, M12, M13, M14, M15)	
681	PCBCM100	PCB CONTROL (M1, M4, M7, M10, M13)	
NS	SHARED DATA	Available thru CoolCloud HVAC app.	
NS	0159F00083	CABLE, RJ12 (M1, M4, M7, M10, M13)	
NS	0259F00040	CONTROL HARNESS	
NS	B1392021	PLASTIC PLUG, 1" (2713-BLK) (QTY 4)	
NS	0259F00041	POWER HARNESS HIGH VOLTAGE (M1, M2, M3, M4, M5, M6, M7, M8, M9, M10, M11, M12)	
NS	0259F00024	WIRE HARNESS-BLOWER	

*If end bells are needed please order the following:
 0131M00182 - 1/2 HP
 0131M00183 - 3/4 HP
 0131M00184 - 1 HP

Chassis Assembly



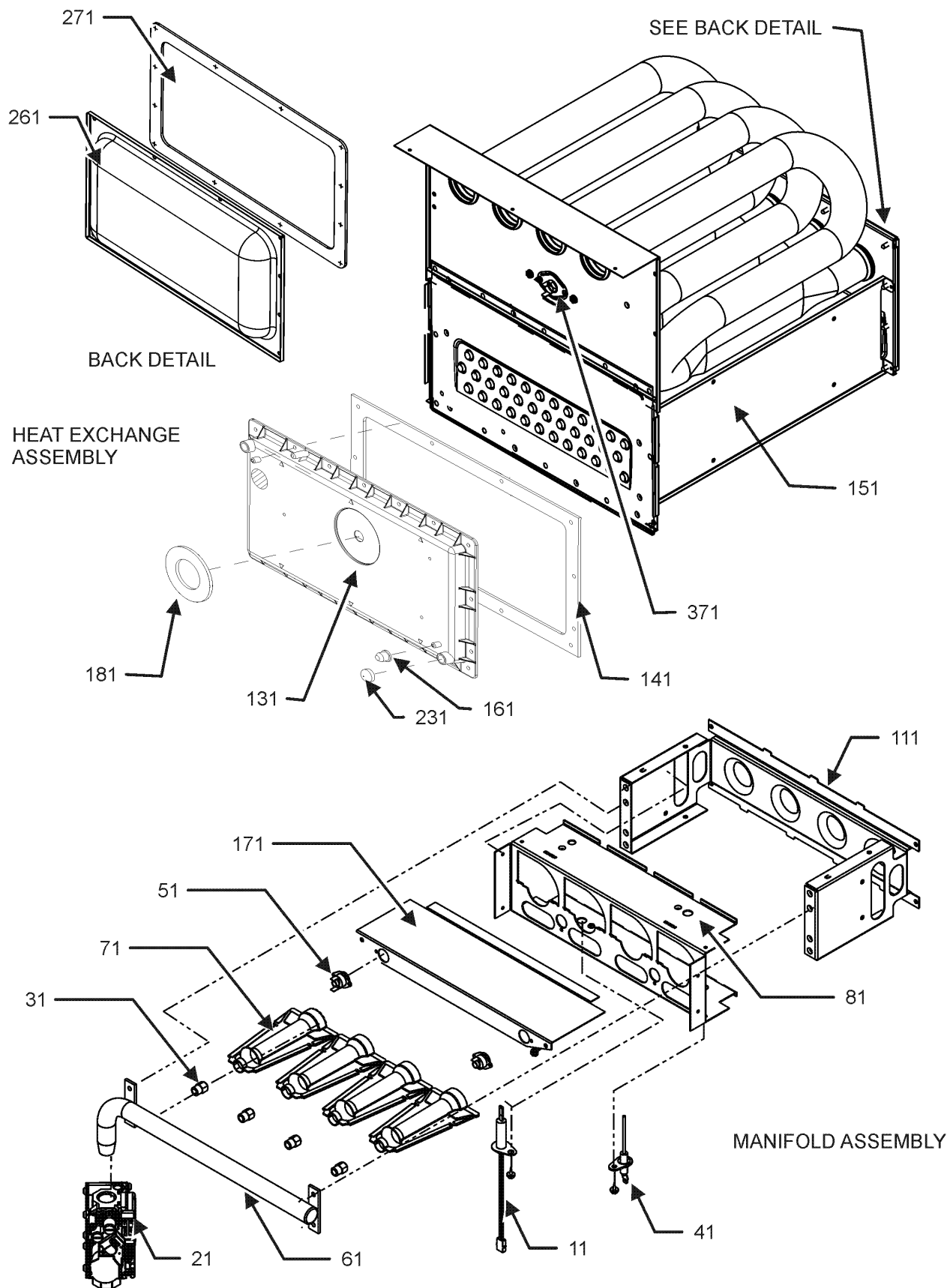
Chassis Assembly

Ref. Part No:	Ref. Part No:	Description:	Description:
Image 1:		Image 1:	
11	0121F00548DG	PAINTED BASEPAN, 17.5 CF (M1, M2, M3, M4, M5, M6)	NS 0259F00040 HARNESS, CONTROL
11	0121F00549DG	PAINTED BASEPAN, 21 CF (M7, M8, M9, M10, M11, M12)	NS 0259F00041 HARNESS-POWER (M1, M2, M3, M4, M5, M6, M7, M8, M9, M10, M11, M12)
11	0121F00550DG	PAINTED BASEPAN, 24.5 CF (M13, M14, M15)	NS 0259F00279 HARNESS-POWER W/FERRITE (M13, M14, M15)
31	0121F00536	DECK-BLOWER 17.5" CF (M1, M2, M3, M4, M5, M6)	NS M0326804 PLUG-TUBE
31	0121F00537	DECK-BLOWER 21" CF (M7, M8, M9, M10, M11, M12)	NS 0259F00024 WIRE HARNESS-BLOWER
31	0121F00538	DECK-BLOWER 24.5" CF (M13, M14, M15)	
91	0160F00015	INSULATION, HT EXCHANGER 17.5" (M1, M2, M3, M4, M5, M6)	
91	0160F00016	INSULATION, HT EXCHANGER 21" (M7, M8, M9, M10, M11, M12)	
91	0160F00017	INSULATION, HT EXCHANGER 24.5" (M13, M14, M15)	
101	0121F00314	ANGLE, DECK (M1, M2, M3, M4, M5, M6)	
101	0121F00315	ANGLE, DECK (M7, M8, M9, M10, M11, M12)	
101	0121F00316	ANGLE, DECK (M13, M14, M15)	
111	0121F00426DG	TOP, PAINTED FURNACE 17.5" CF (M1, M2, M3, M4, M5, M6)	
111	0121F00434DG	TOP, PAINTED FURNACE 21" CF (M7, M8, M9, M10, M11, M12)	
111	0121F00442DG	TOP, PAINTED FURNACE 24.5 CF (M13, M14, M15)	
121	0121F00313	ANGLE, SIDE (QTY 2)	
201	0164M00115	HOSE- PRESSURE SW 6"	
211	0164M00119	HOSE- PRESSURE SW 12" (M13, M14, M15)	
211	0164M00117	HOSE- PRESSURE SW 8" (M7, M8, M9, M10, M11, M12)	
221	0130M00243	INTERLOCK SWITCH	
241	0164F00026	ELBOW-FLUE, 17.5" CFLOW (M1, M2, M3, M4, M5, M6)	
241	0164F00027	ELBOW-FLUE, 21" CFLOW (M7, M8, M9, M10, M11, M12)	
241	0164F00028	ELBOW-FLUE, 24.5" CFLOW (M13, M14, M15)	
251	0154F00041	FRESH AIR GASKET	
271	0171M00002	MOTOR-ID, BLOWER	
281	0161F00037	COUPLING	
291	0130F00429	PRESSURE SWITCH (M4, M5, M6, M7, M8, M9, M10, M11, M12, M13, M14, M15)	
291	0130F00485	PRESSURE SWITCH (M1, M2, M3)	
301	0130F00433	PRESSURE SWITCH (M1, M2, M3)	
301	0130F00434	PRESSURE SWITCH (M10, M11, M12)	
301	0130F00435	PRESSURE SWITCH (M4, M5, M6)	
301	0130F00436	PRESSURE SWITCH (M7, M8, M9)	
301	0130F00443	PRESSURE SWITCH (M13, M14, M15)	
311	0161F00042	JUNCTION BOX PLA	
331	0161F00043	JUNCTION BOX LID	
611	0163M00460	CLAMP HOSE (QTY 2)	
791	0154F00015	GASKET (QTY 2)	
811	0154F00014	GASKET (M1, M2, M3, M4, M5, M6)	
811	0154F00016	GASKET (M7, M8, M9, M10, M11, M12, M13, M14, M15)	
811	20194607	GASKET (M13, M14, M15)	
991	0121F00389	BRACKET, DOOR SWITCH	

Expanded Model Nomenclature

M1 - ACVC960403BNBA
M2 - ACVC960403BNBB
M3 - ACVC960403BNBC
M4 - ACVC960603BNBA
M5 - ACVC960603BNBB
M6 - ACVC960603BNBC
M7 - ACVC960804CNBA
M8 - ACVC960804CNBB
M9 - ACVC960804CNBC
M10 - ACVC961005CNBA
M11 - ACVC961005CNBB
M12 - ACVC961005CNBC
M13 - ACVC961205DNBA
M14 - ACVC961205DNBB
M15 - ACVC961205DNBC

Heat Exchange Assembly



Heat Exchange Assembly

Ref. Part No:	Part No:	Description:	Ref. Part No:	Part No:	Description:															
Image 1:			Image 1:																	
11	0130F00008	IGNITOR-SINI 17 SEC	371	0130F00035	PRIMARY LIMIT - PURPLE 220° (M4, M5, M6)															
21	0151M00027	GAS VALVE	371	20162906	PRIMARY LIMIT - WHITE (M1, M2, M3, M10, M11, M12)															
31	10716005	ORIFICE (QTY 2)	NS	0121F00583	INSULATION, RETAINER (M1, M2, M3, M4, M5, M6)															
41	0130F00010	FLAME SENSOR	NS	0121F00584	INSULATION, RETAINER (M7, M8, M9, M10, M11, M12)															
51	0130F00123	MANUAL RESET LIMIT (M7, M8, M9, M10, M11, M12)	NS	0121F00585	INSULATION, RETAINER (M13, M14, M15)															
51	10123527	MANUAL RESET LIMIT (M13, M14, M15)	NS	0121F00439	PRIMARY LIMIT-HEAT SHIELD															
51	10123538	MANUAL RESET LIMIT-TAN (M4, M5, M6)	NS	0121F00355	SHIELD, COIL (QTY 2)															
51	10123533	MANUAL RESET LIMIT-YELLOW (M1, M2, M3)	Expanded Model Nomenclature																	
61	0163F00007	MANIFOLD (M1, M2, M3)	<table border="1"> <tr><td>M1 - ACVC960403BNBA</td></tr> <tr><td>M2 - ACVC960403BNBB</td></tr> <tr><td>M3 - ACVC960403BNBC</td></tr> <tr><td>M4 - ACVC960603BNBA</td></tr> <tr><td>M5 - ACVC960603BNBB</td></tr> <tr><td>M6 - ACVC960603BNBC</td></tr> <tr><td>M7 - ACVC960804CNBA</td></tr> <tr><td>M8 - ACVC960804CNBB</td></tr> <tr><td>M9 - ACVC960804CNBC</td></tr> <tr><td>M10 - ACVC961005CNBA</td></tr> <tr><td>M11 - ACVC961005CNBB</td></tr> <tr><td>M12 - ACVC961005CNBC</td></tr> <tr><td>M13 - ACVC961205DNBA</td></tr> <tr><td>M14 - ACVC961205DNBB</td></tr> <tr><td>M15 - ACVC961205DNBC</td></tr> </table>			M1 - ACVC960403BNBA	M2 - ACVC960403BNBB	M3 - ACVC960403BNBC	M4 - ACVC960603BNBA	M5 - ACVC960603BNBB	M6 - ACVC960603BNBC	M7 - ACVC960804CNBA	M8 - ACVC960804CNBB	M9 - ACVC960804CNBC	M10 - ACVC961005CNBA	M11 - ACVC961005CNBB	M12 - ACVC961005CNBC	M13 - ACVC961205DNBA	M14 - ACVC961205DNBB	M15 - ACVC961205DNBC
M1 - ACVC960403BNBA																				
M2 - ACVC960403BNBB																				
M3 - ACVC960403BNBC																				
M4 - ACVC960603BNBA																				
M5 - ACVC960603BNBB																				
M6 - ACVC960603BNBC																				
M7 - ACVC960804CNBA																				
M8 - ACVC960804CNBB																				
M9 - ACVC960804CNBC																				
M10 - ACVC961005CNBA																				
M11 - ACVC961005CNBB																				
M12 - ACVC961005CNBC																				
M13 - ACVC961205DNBA																				
M14 - ACVC961205DNBB																				
M15 - ACVC961205DNBC																				
61	0163F00008	MANIFOLD (M4, M5, M6)																		
61	0163F00009	MANIFOLD (M7, M8, M9)																		
61	0163F00010	MANIFOLD (M10, M11, M12)																		
61	0163F00011	MANIFOLD (M13, M14, M15)																		
71	0163F00017	BECKETT BURNER (QTY 2)																		
81	0121F00456	BRACKET-BURNER 2 (M1, M2, M3)																		
81	0121F00455	BRACKET-BURNER 3 (M4, M5, M6)																		
81	0121F00454	BRACKET-BURNER 4 (M7, M8, M9)																		
81	0121F00453	BRACKET-BURNER 5 (M10, M11, M12)																		
81	0121F00451	BRACKET-BURNER 6 (M13, M14, M15)																		
111	0121F00469	ORIFICE BRACKET-BURNER 2 (M1, M2, M3)																		
111	0121F00468	ORIFICE BRACKET-BURNER 3 (M4, M5, M6)																		
111	0121F00467	ORIFICE BRACKET-BURNER 4 (M7, M8, M9)																		
111	0121F00466	ORIFICE BRACKET-BURNER 5 (M10, M11, M12)																		
111	0121F00465	ORIFICE BRACKET-BURNER 6 (M13, M14, M15)																		
131	0161F00015	COVER, FRONT (M1, M2, M3)																		
131	0161F00030	COVER, FRONT (M7, M8, M9)																		
131	0161F00054	COVER, FRONT (M4, M5, M6)																		
131	0161F00060	COVER, FRONT (M10, M11, M12)																		
131	0161F00070	COVER, FRONT (M13, M14, M15)																		
141	0154F00026	GASKET FRONT COVER (M1, M2, M3, M4, M5, M6)																		
141	0154F00030	GASKET FRONT COVER (M7, M8, M9, M10, M11, M12)																		
141	0154F00034	GASKET FRONT COVER (M13, M14, M15)																		
151	0257F00361	HEAT EXCHANGER ASSY (M1, M2, M3)																		
151	0257F00362	HEAT EXCHANGER ASSY (M4, M5, M6)																		
151	0257F00363	HEAT EXCHANGER ASSY (M7, M8, M9)																		
151	0257F00364	HEAT EXCHANGER ASSY (M10, M11, M12)																		
151	0257F00365	HEAT EXCHANGER ASSY (M13, M14, M15)																		
161	M0326804	TUBE PLUG																		
171	0121F00539	SHEILD, BURNER (M1, M2, M3)																		
171	0121F00540	SHEILD, BURNER (M4, M5, M6)																		
171	0121F00541	SHEILD, BURNER (M7, M8, M9)																		
171	0121F00542	SHEILD, BURNER (M10, M11, M12)																		
171	0121F00543	SHEILD, BURNER (M13, M14, M15)																		
181	0154F00043	GASKET ID BLOWER																		
231	A1781105	CAP-VINYL .500																		
261	0121F00317	COVER, REAR (M1, M2, M3, M4, M5, M6)																		
261	0121F00318	COVER, REAR (M7, M8, M9, M10, M11, M12)																		
261	0121F00319	COVER, REAR (M13, M14, M15)																		
271	0154F00037	GASKET, REAR CVR (M1, M2, M3, M4, M5, M6)																		
271	0154F00038	GASKET, REAR CVR (M7, M8, M9, M10, M11, M12)																		
271	0154F00039	GASKET, REAR CVR (M13, M14, M15)																		
371	20162904	*PRIMARY LIMIT-TEMPERATURE CONTROL (M7, M8, M9)																		
371	0130F00036	PRIMARY LIMIT - PINK 180° (M13, M14, M15)																		