



REPAIR PARTS

ACVC 80% Two Stage Variable Speed Downflow Furnace

ACVC80603BXBC
ACVC80603BXBD
ACVC80803BXBC
ACVC80803BXBD
ACVC80805CXBC
ACVC80805CXBD
ACVC81005CXBC
ACVC81005CXBD



Amana® is a registered trademark of Maytag Corporation or its related companies and is used under license. All rights reserved.

This manual is to be used by qualified technicians only.

This manual replaces RP-A2302.

© 2016 , 2018 Goodman Manufacturing Company, L.P. ♦ 5151 San Felipe St, Suite 500 ♦ Houston, TX 77056

Important Information

Index

Functional Parts List	3
Illustration and Parts	4 - 9

Views shown are for parts illustrations only, not servicing procedures.

Text Codes:

AR - As Required

NA - Not Available

NS - Not Shown

00000000 - See Note

QTY - Quantity Example (QTY 3) (If Quantity not shown, Quantity = 1)

M - Model Example (M1) (If M Code not shown, then part is used on all Models)

Expanded Model Nomenclature:

Example M1 - Model#1 M2 - Model#2 M3 - Model#3

Goodman Manufacturing Company, L.P. is not responsible for personal injury or property damage resulting from improper service. Review all service information before beginning repairs.

Warranty service must be performed by an authorized technician, using authorized factory parts. If service is required after the warranty expires, Goodman Manufacturing Company, L.P. also recommends contacting an authorized technician and using authorized factory parts.

Goodman Manufacturing Company, L.P. reserves the right to discontinue, or change at any time, specifications or designs without notice or without incurring obligations.

For assistance within the U.S.A. contact:

Homeowner Support

Goodman Manufacturing Company, L.P.

19001 Kermier Road

Waller, Texas 77484

877-254-4729-Telephone

713-863-2382-Facsimile

For assistance outside the U.S.A. contact:

International Division

Goodman Manufacturing Company, L.P.

19001 Kermier Road

Waller, Texas 77484

713-861-2500-Telephone

713-863-2382-Facsimile

Functional Parts

Part

No: Description:

0130F00049	AIR PRESSURE SWITCH (M5, M6, M7, M8)
0130F00555	DATA, FURNACE PCB (M5, M6)
0130F00554	DATA, FURNACE PCB (M3, M4)
0130F00556	DATA, FURNACE PCB (M7, M8)
0130F00553	DATA, FURNACE PCB (M1, M2)
0130F00571	DUAL STAGE PRESSURE SWITCH (M3, M4)
0130F00010	FLAME SENSOR
0151M00027	GAS VALVE
0130M00141	INDUCTOR, 5.9 AMPS (GMPE100-4) (M5, M6, M7, M8)
10690402	INTERLOCK SWITCH
0130F00071	LIMIT SWITCH (M1, M2)
0130F00038	LIMIT, PRIMARY 120 LT BLUE
0130F00067	LIMIT-RED (M5, M6, M7, M8)
10123529	MANUAL RESET R.O.S. LIMIT (QTY 2)
0131M00270	MOTOR, 1/2 HP, SERIAL ECM (M1, M2, M3, M4)
0131M00271	MOTOR, 3/4 HP, SERIAL ECM (M5, M6, M7, M8)
0131M00781P	MOTOR, VENT 2-STAGE
PCBKF105	PCB CONTROL BOARD
0130F00036	PRIMARY LIMIT - PINK 180° (M3, M4)
0130F00008	SINI IGNITOR
B1370210	SW, AIR PRESSURE 2 STAGE, PINK (M1, M2)
0130M00140	TRANSFORMER 120V TO 24V, 40VA
0130M00140	TRANSFORMER,(120V TO 24V,40VA,

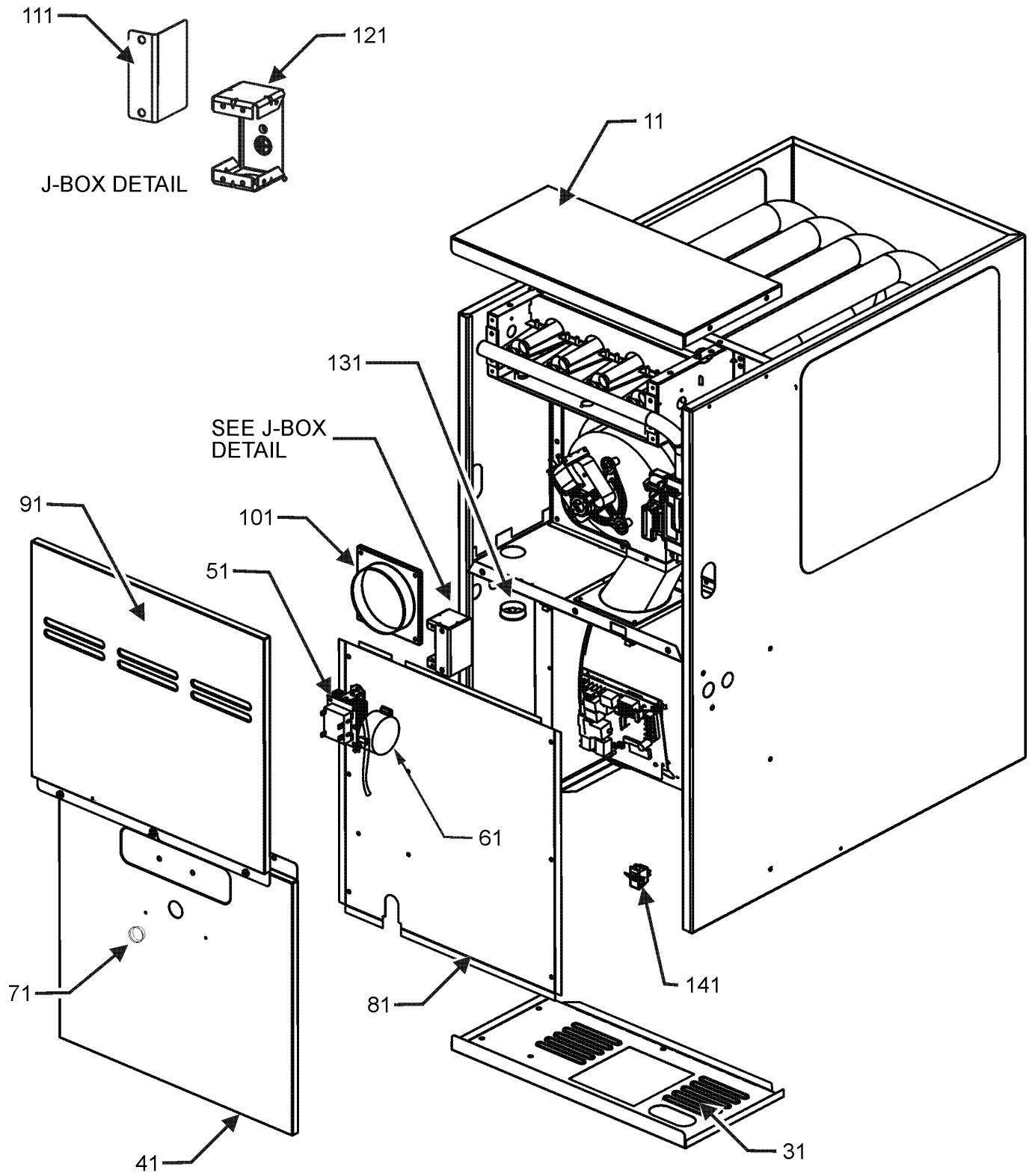
SPECIAL PARTS

0161F00006 NAMEPLATE, AMANA

Expanded Model Nomenclature

M1 - ACVC80603BXBC
M2 - ACVC80603BXBD
M3 - ACVC80803BXBC
M4 - ACVC80803BXBD
M5 - ACVC80805CXBC
M6 - ACVC80805CXBD
M7 - ACVC81005CXBC
M8 - ACVC81005CXBD

CABINET ASSEMBLY



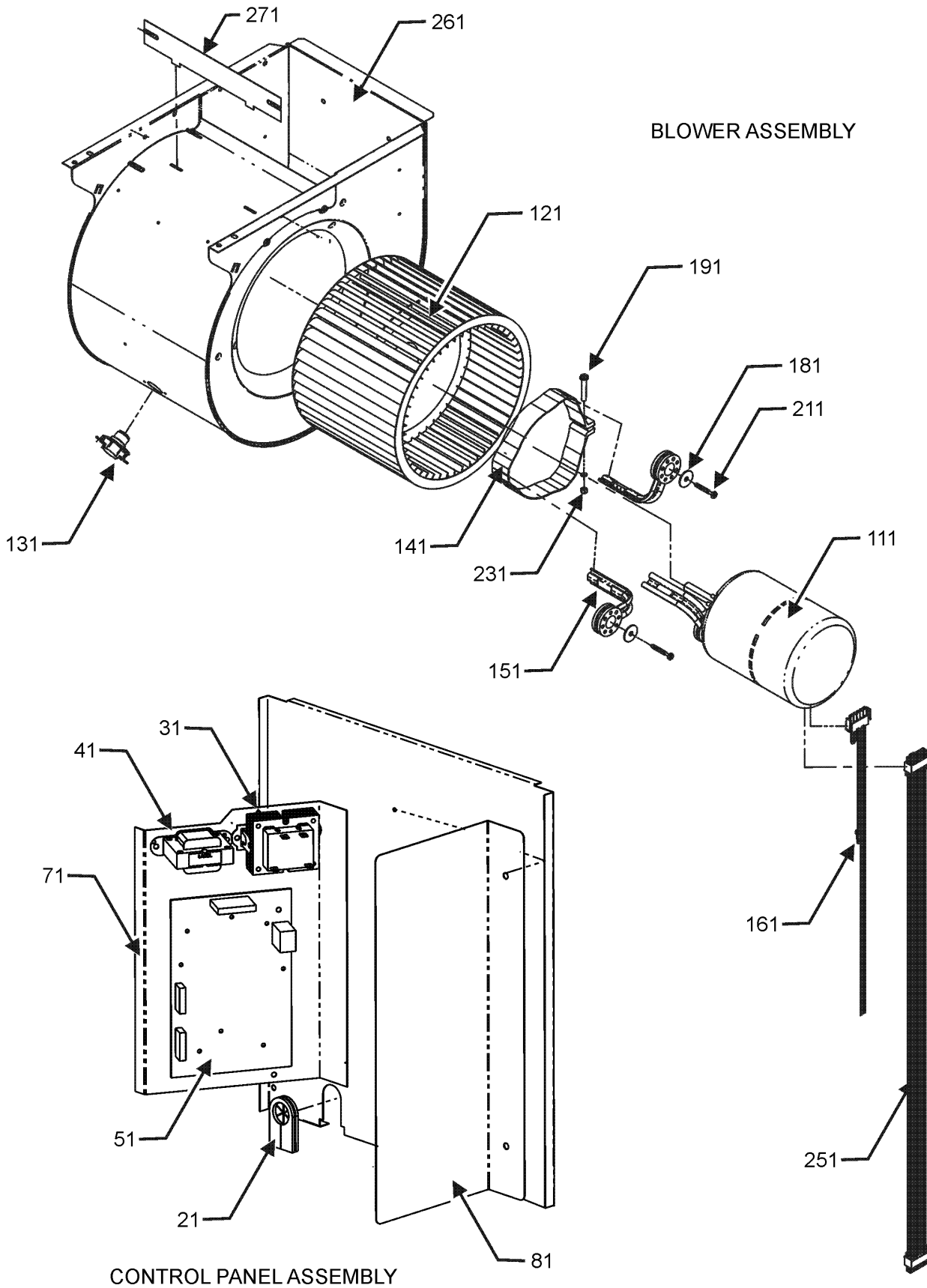
CABINET ASSEMBLY

Ref. Part No:	No:	Description:	Ref. Part No:	No:	Description:
<i>Image 1:</i>					
11	0121F00190DG	FURNACE BOTTOM 17.5" (M1, M2, M3, M4)			
11	0121F00191DG	FURNACE BOTTOM 21" (M5, M6, M7, M8)			
31	0121F00142DG	TOP 17.5" (M1, M2, M3, M4)			
31	0121F00143DG	TOP 21" (M5, M6, M7, M8)			
41	0121F00123LG	DOOR, BLOWER, 17.5"-PAINTED (M1, M2, M3, M4)			
41	0121F00124LG	DOOR, BLOWER, 21"-PAINTED (M5, M6, M7, M8)			
51	0130M00140	TRANSFORMER 120V TO 24V, 40VA			
61	0130F00049	AIR PRESSURE SWITCH (M5, M6, M7, M8)			
61	0130F00571	DUAL STAGE PRESSURE SWITCH (M3, M4)			
61	B1370210	SW, AIR PRESSURE 2 STAGE, PINK (M1, M2)			
71	B1392139	VIEW PORT BUSHING-BLOWER DOOR			
81	0121F00227	DOOR, INNER 17.5" (M1, M2, M3, M4)			
81	0121F00228	DOOR, INNER 21" (M5, M6, M7, M8)			
91	0121F00119LG	CONTROL ACCESS DOOR 17.5" (M1, M2, M3, M4)			
91	0121F00120LG	CONTROL ACCESS DOOR 21" (M5, M6, M7, M8)			
101	4023500	CHIMNEY TRANSITION TOP			
111	4015502	J-BOX COVER			
121	4014502	J-BOX			
131	B1392147	UNIVERSAL BUSHING WITH SLICE			
141	10690402	INTERLOCK SWITCH			
NS	0161F00006	NAMEPLATE, AMANA			

Expanded Model Nomenclature

M1 - ACVC80603BXBC
M2 - ACVC80603BXBD
M3 - ACVC80803BXBC
M4 - ACVC80803BXBD
M5 - ACVC80805CXBC
M6 - ACVC80805CXBD
M7 - ACVC81005CXBC
M8 - ACVC81005CXBD

BLOWER & CONTROL PANEL ASSEMBLY



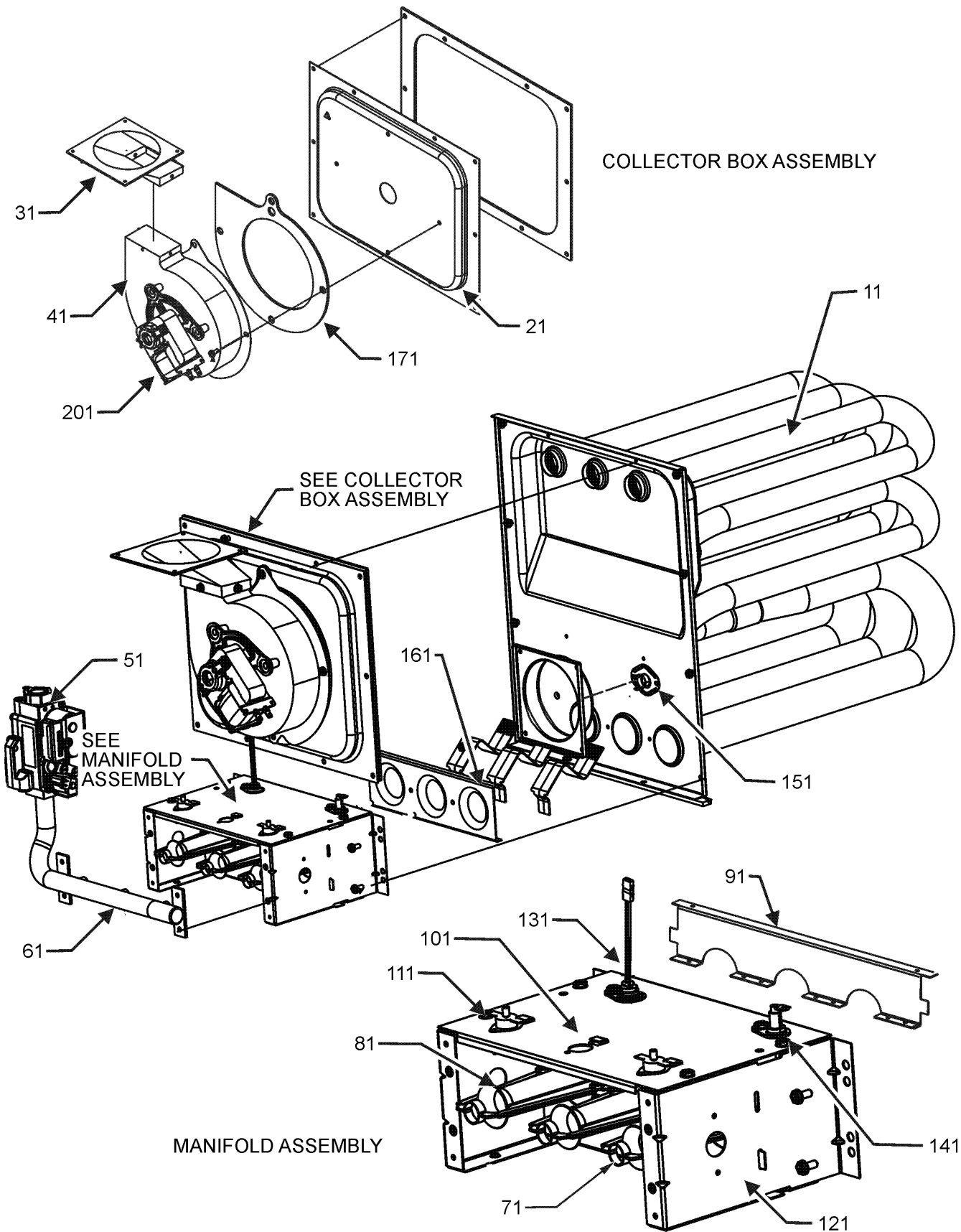
BLOWER & CONTROL PANEL ASSEMBLY

Ref. Part No:	No:	Description:	Ref. Part No:	No:	Description:
<i>Image 1:</i>					
21	20477501	GROMMET-HORSESHOE			
31	0130M00140	TRANSFORMER,(120V TO 24V,40VA,			
41	0130M00141	INDUCTOR, 5.9 AMPS (GMPE100-4) (M5, M6, M7, M8)			
51	PCBKF105	PCB CONTROL BOARD			
71	0121F00186	BRACKET, CONTROL			
81	0121F00229	HEAT SHIELD			
111	0131M00270	MOTOR, 1/2 HP, SERIAL ECM (M1, M2, M3, M4)			
111	0131M00271	MOTOR, 3/4 HP, SERIAL ECM (M5, M6, M7, M8)			
121	0150M00042	WHEEL, BLOWER (10 X 10) (M5, M6, M7, M8)			
121	0150M00043	WHEEL, BLOWER (10 X 8) (M1, M2, M3, M4)			
131	0130F00038	LIMIT, PRIMARY 120 LT BLUE			
141	0121M00038	MOTOR MOUNT BAND (M1, M2, M3, M4)			
141	0121M00039	MOUNT BAND, MOTOR (HEAVY DUTY) (M5, M6, M7, M8)			
151	B1376853	MOTOR MOUNT ARM (M1, M2, M3, M4)			
151	B1376863	MOTOR MOUNT ARM (HEAVY DUTY) (M5, M6, M7, M8)			
161	0259F00068	HARNES-POWER			
181	B1392918	WASHER, FLAT 1/4 ID X 1 OD (QTY 3)			
191	0163M00320	HEX HEAD ALL THREAD TAP BOLT			
211	M0250565	SCREW-TC 1.25" (QTY 3)			
211	M0250565	SCREW-TC 1.25" (QTY 3)			
231	B1393800	LOCKNUT, NYLON INSERT 1/4 20			
251	0259F00067	CONTROL HARNES			
261	2539307	BLOWER HOUSING 10 X 10 (M5, M6, M7, M8)			
261	2539306	BLOWER HOUSING 10 X 8 (M1, M2, M3, M4)			
271	764741	BLOWER BLOCK-OFF 10 X 10 (M5, M6, M7, M8)			
271	764740	BLOWER BLOCK-OFF 10 X 8 (M1, M2, M3, M4)			
NS	0130F00553	DATA, FURNACE PCB (M1, M2)			
NS	0130F00554	DATA, FURNACE PCB (M3, M4)			
NS	0130F00555	DATA, FURNACE PCB (M5, M6)			
NS	0130F00556	DATA, FURNACE PCB (M7, M8)			

Expanded Model Nomenclature

M1 - ACVC80603BXBC
M2 - ACVC80603BXBD
M3 - ACVC80803BXBC
M4 - ACVC80803BXBD
M5 - ACVC80805CXBC
M6 - ACVC80805CXBD
M7 - ACVC81005CXBC
M8 - ACVC81005CXBD

HEAT EXCHANGE ASSEMBLY



HEAT EXCHANGE ASSEMBLY

Ref. Part No:	Part No:	Description:	Ref. Part No:	Part No:	Description:
<i>Image 1:</i>					
11	0270F03531	HEAT EXCHANGER ASSY (M1, M2)			
11	0270F03532	HEAT EXCHANGER ASSY (M3, M4)			
11	0270F03533	HEAT EXCHANGER ASSY (M5, M6)			
11	0270F03534	HEAT EXCHANGER ASSY (M7, M8)			
21	0121F00332	17.5" COLLECTOR BOX 1.375" DIA (M1, M2)			
21	0121F00331	17.5" COLLECTOR BOX 1.500" DIA (M3, M4)			
21	0121F00365	21" COLLECTOR BOX 1.437" DIA. (M5, M6)			
21	0121F00333	21" COLLECTOR BOX 1.75" DIA (M7, M8)			
31	0128F00006	CHIMNEY TRANSITION BOTTOM			
41	0131M00781P	MOTOR, VENT 2-STAGE			
51	0151M00027	GAS VALVE			
61	0120F00007	MANIFOLD (M1, M2)			
61	0120F00008	MANIFOLD (M3, M4, M5, M6)			
61	0120F00009	MANIFOLD (M7, M8)			
71	10716005	ORIFICE (QTY 3)			
81	B4022700	INSHOT BURNER ASSY 3" (QTY 3)			
91	0121F00168	BURNER RACK, 3 CELL (M1, M2)			
91	0121F00169	BURNER RACK, 4 CELL (M3, M4, M5, M6)			
91	0121F00170	BURNER RACK, 5 CELL (M7, M8)			
101	0121F00163	TOP, BURNER BOX 3 CELL (M1, M2)			
101	0121F00164	TOP, BURNER BOX 4 CELL (M3, M4, M5, M6)			
101	0121F00165	TOP, BURNER BOX 5 CELL (M7, M8)			
111	10123529	MANUAL RESET R.O.S. LIMIT (QTY 2)			
121	0121F00146	BURNER BOX SIDE (QTY 2)			
131	0130F00008	SINI IGNITOR			
141	0130F00010	FLAME SENSOR			
151	0130F00071	LIMIT SWITCH (M1, M2)			
151	0130F00067	LIMIT-RED (M5, M6, M7, M8)			
151	0130F00036	PRIMARY LIMIT - PINK 180° (M3, M4)			
161	4028001	ORIFICE SHIELD 3 CELL (M1, M2)			
161	4028002	ORIFICE SHIELD 4 CELL (M3, M4, M5, M6)			
161	4028003	ORIFICE SHIELD 5 CELL (M7, M8)			
171	0154F00004	VENT MOTOR GASKET 17.5" (M1, M2, M3, M4)			
171	0154F00005	VENT MOTOR GASKET 21" (M5, M6, M7, M8)			
201	DY6.186.070	VENT MOTOR CAPACITOR			
NS	0259M00005	ADAPTER HARNESS			
NS	0259F00066	INDUCER HARNESS ASSY			
NS	0259F00065	WIRE HARNESS ASSY			
NS	0259F00080	WIRE HARNESS ASSY (M1, M3, M5, M7)			
NS	0259F00272	WIRE HARNESS ASSY (M2, M4, M6, M8)			

Expanded Model Nomenclature

M1 - ACVC80603BXBC
M2 - ACVC80603BXBD
M3 - ACVC80803BXBC
M4 - ACVC80803BXBD
M5 - ACVC80805CXBC
M6 - ACVC80805CXBD
M7 - ACVC81005CXBC
M8 - ACVC81005CXBD