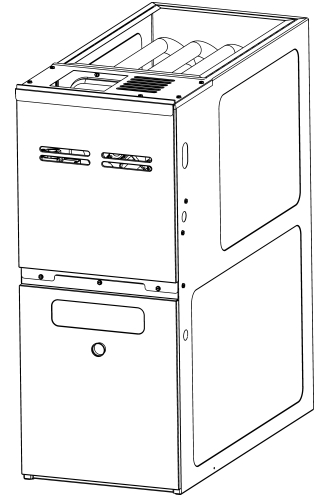




REPAIR PARTS

ACVC 80% High Efficient Furnace

ACVC800603BXAA
ACVC800603BXAB
ACVC800803BXAA
ACVC800803BXAB
ACVC800805CXAA
ACVC800805CXAB
ACVC801005CXAA
ACVC801005CXAB



Amana® is a registered trademark of Maytag Corporation or its related companies and is used under license. All rights reserved.

This manual is to be used by qualified technicians only.

This manual replaces RP-A2329

© 2019 - 2020 Goodman Company, L.P. ♦ 5151 San Felipe St, Suite 500 ♦ Houston, TX 77056

Important Information

Index

Functional Parts List	3
Illustration and Parts	4 - 9

Views shown are for parts illustrations only, not servicing procedures

Text Codes:

AR - As Required

NA - Not Available

NS - Not Shown

00000000 - See Note

QTY - Quantity Example (QTY 3) (If Quantity not shown, Quantity = 1)

M - Model Example (M1) (If M Code not shown, then part is used on all Models)

Expanded Model Nomenclature:

Example M1 - Model#1 M2 - Model#2 M3 - Model#3

Goodman Company, L.P. is not responsible for personal injury or property damage resulting from improper service. Review all service information before beginning repairs.

Warranty service must be performed by an authorized technician, using authorized factory parts. If service is required after the warranty expires, Goodman Company, L.P. also recommends contacting an authorized technician and using authorized factory parts.

Goodman Company, L.P. reserves the right to discontinue, or change at any time, specifications or designs without notice or without incurring obligations.

For assistance within the U.S.A. contact:

Homeowner Support
Goodman Company, L.P.
19001 Kermier Road
Waller, Texas 77484
877-254-4729-Telephone
713-863-2382-Facsimile

For assistance outside the U.S.A. contact:

International Division
Goodman Company, L.P.
19001 Kermier Road
Waller, Texas 77484
713-861-2500-Telephone
713-863-2382-Facsimile

Functional Parts

Part

No: Description:

0130F00792	AIR PRESSURE SWITCH (M5, M6, M7, M8)
0130F00795	AIR PRESSURE SWITCH (M3, M4)
0130F00791	AIR PRESSURE SWITCH (M1, M2)
SHARED DATA	Available thru CoolCloud HVAC app.
0130F00010	FLAME SENSOR
0151M00027	GAS VALVE
0130M00141	INDUCTOR, 5.9 AMPS (GMPE100-4) (M5, M6, M7, M8)
0130F00071	LIMIT SWITCH (M1, M2)
0130F00038	LIMIT, PRIMARY 120 LT BLUE
0130F00067	LIMIT-RED (M5, M6, M7, M8)
10123529	MANUAL RESET R.O.S. LIMIT (QTY 2)
0131M00270	MOTOR, 1/2 HP, SERIAL ECM (M1, M2, M3, M4)
0131M00271	MOTOR, 3/4 HP, SERIAL ECM (M5, M6, M7, M8)
0131M00781P	MOTOR, VENT 2-STAGE
PCBCM100	PCB, CONTROL
PCBKF107	PCB, CONTROL BOARD
0130F00036	PRIMARY LIMIT - PINK 180° (M3, M4)
0130F00008	SINI IGNITOR
10690402	SWITCH-INTERLOCK
0130M00140	TRANSFORMER,(120V TO 24V,40VA,

SPECIAL PARTS

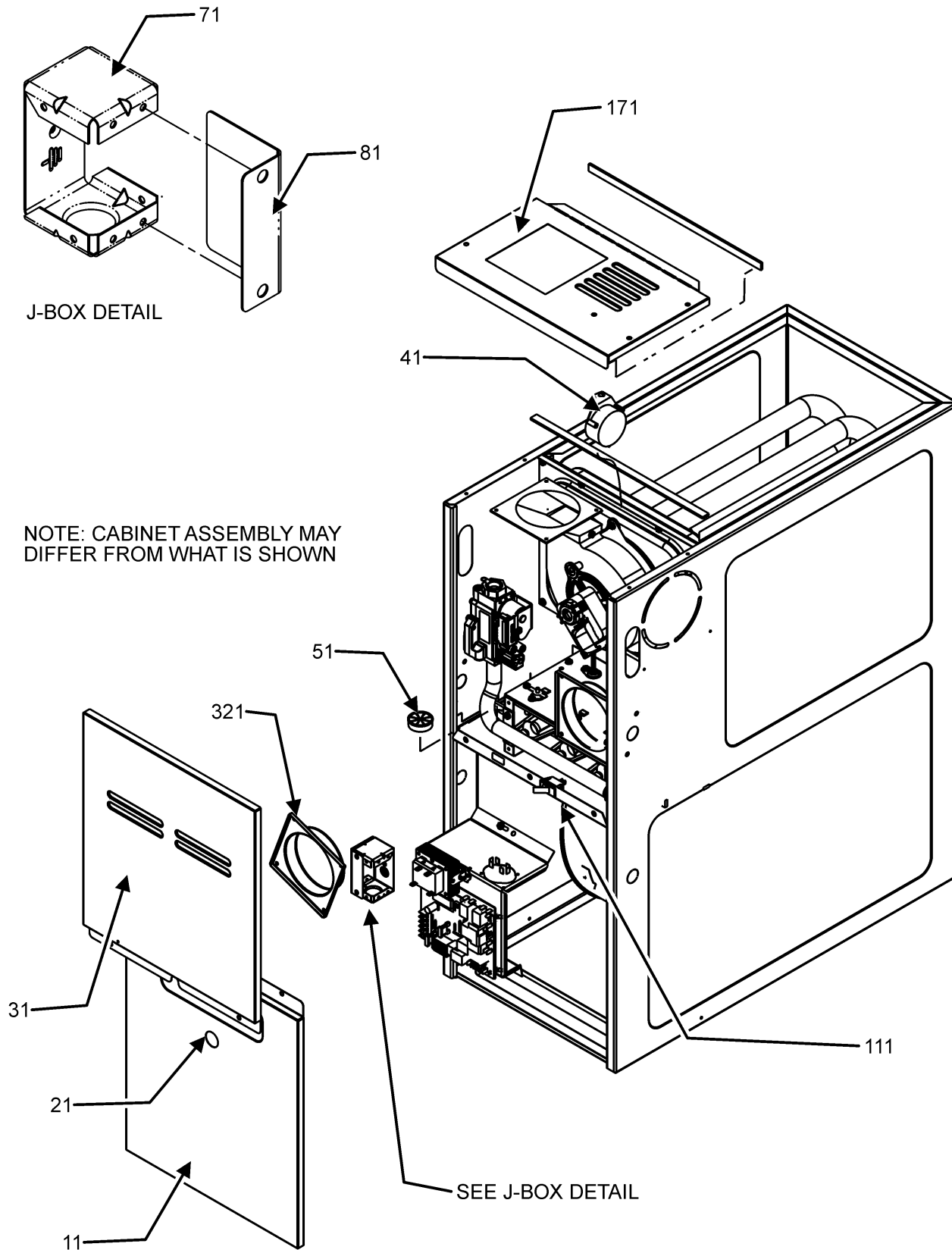
0161F00006 NAMEPLATE, AMANA

Expanded Model Nomenclature

M1 - ACVC800603BXAA
M2 - ACVC800603BXAB
M3 - ACVC800803BXAA
M4 - ACVC800803BXAB
M5 - ACVC800805CXAA
M6 - ACVC800805CXAB
M7 - ACVC801005CXAA
M8 - ACVC801005CXAB

Cabinet Assembly

CABINET ASSEMBLY



Cabinet Assembly

Ref. Part No:	Ref. Part No:	Description:	Description:
---------------	---------------	--------------	--------------

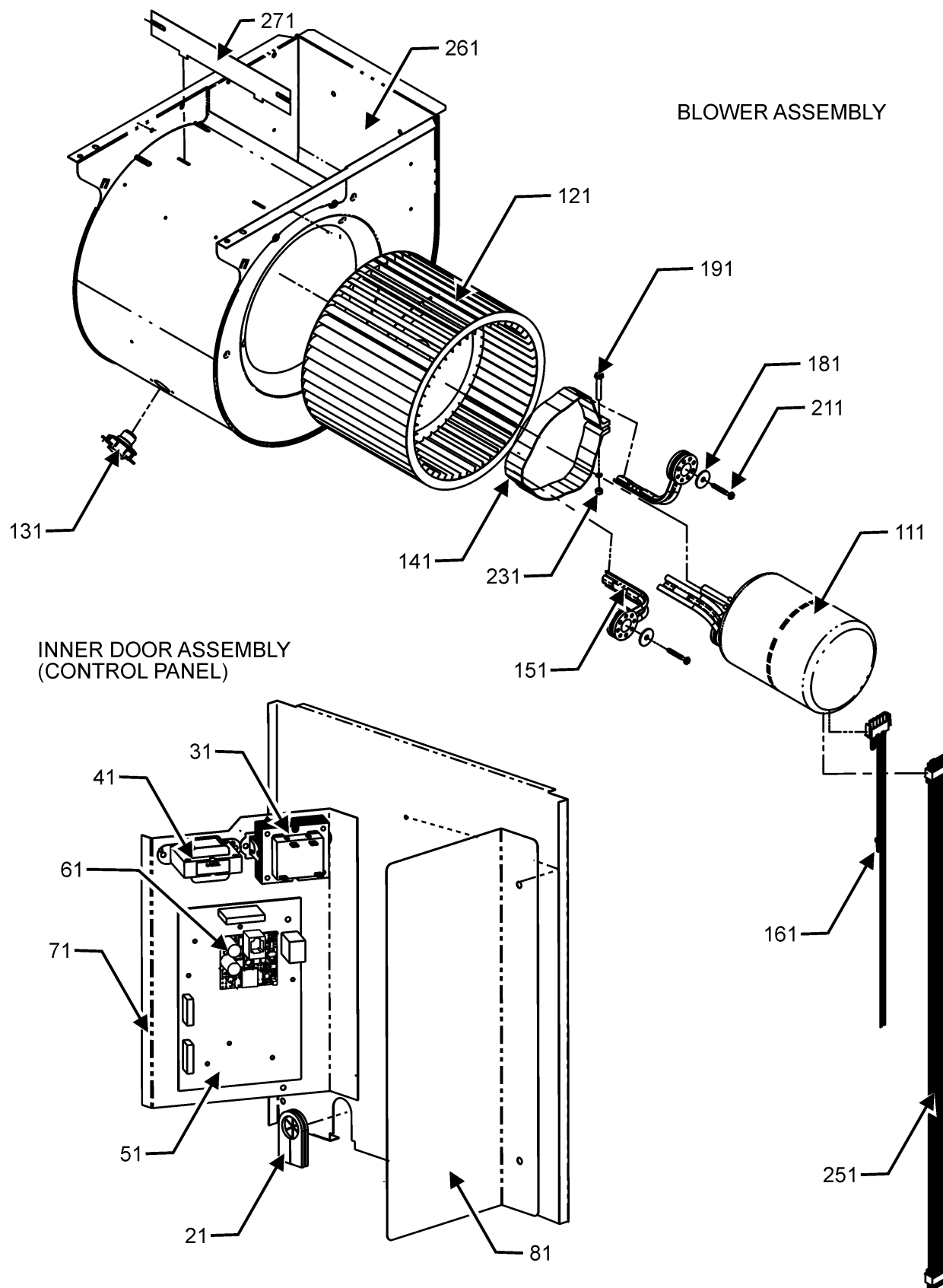
Image 1:

11	0121F00123LG	DOOR, BLOWER, 17.5" PAINTED (M1, M2, M3, M4)
11	0121F00124LG	DOOR, BLOWER, 21"-PAINTED (M5, M6, M7, M8)
21	B1392139	VIEW PORT BUSHING-BLOWER DOOR
31	0121F00119LG	CONTROL ACCESS DOOR 17.5" (M1, M2, M3, M4)
31	0121F00120LG	DOOR CTRL AC CESS, 21"-PAINTED (M5, M6, M7, M8)
41	0130F00791	AIR PRESSURE SWITCH (M1, M2)
41	0130F00792	AIR PRESSURE SWITCH (M5, M6, M7, M8)
41	0130F00795	AIR PRESSURE SWITCH (M3, M4)
51	B1392147	UNIVERSAL BUSHING WITH SLICE
71	4014502	J-BOX
81	4015502	COVER, J-BOX
111	10690402	SWITCH-INTERLOCK
171	0121F00142DG	TOP 17.5" (M1, M2, M3, M4)
171	0121F00143DG	TOP 21" (M5, M6, M7, M8)
321	4023500	CHIMNEY TRANSITION TOP
NS	0161F00006	NAMEPLATE, AMANA

Expanded Model Nomenclature

- M1 - ACVC800603BXAA
- M2 - ACVC800603BXAB
- M3 - ACVC800803BXAA
- M4 - ACVC800803BXAB
- M5 - ACVC800805CXAA
- M6 - ACVC800805CXAB
- M7 - ACVC801005CXAA
- M8 - ACVC801005CXAB

Blower and Control Panel Assembly



NOTE: BLOWER AND INNER DOOR ASSEMBLY MAY DIFFER FROM WHAT IS SHOWN

Blower and Control Panel Assembly

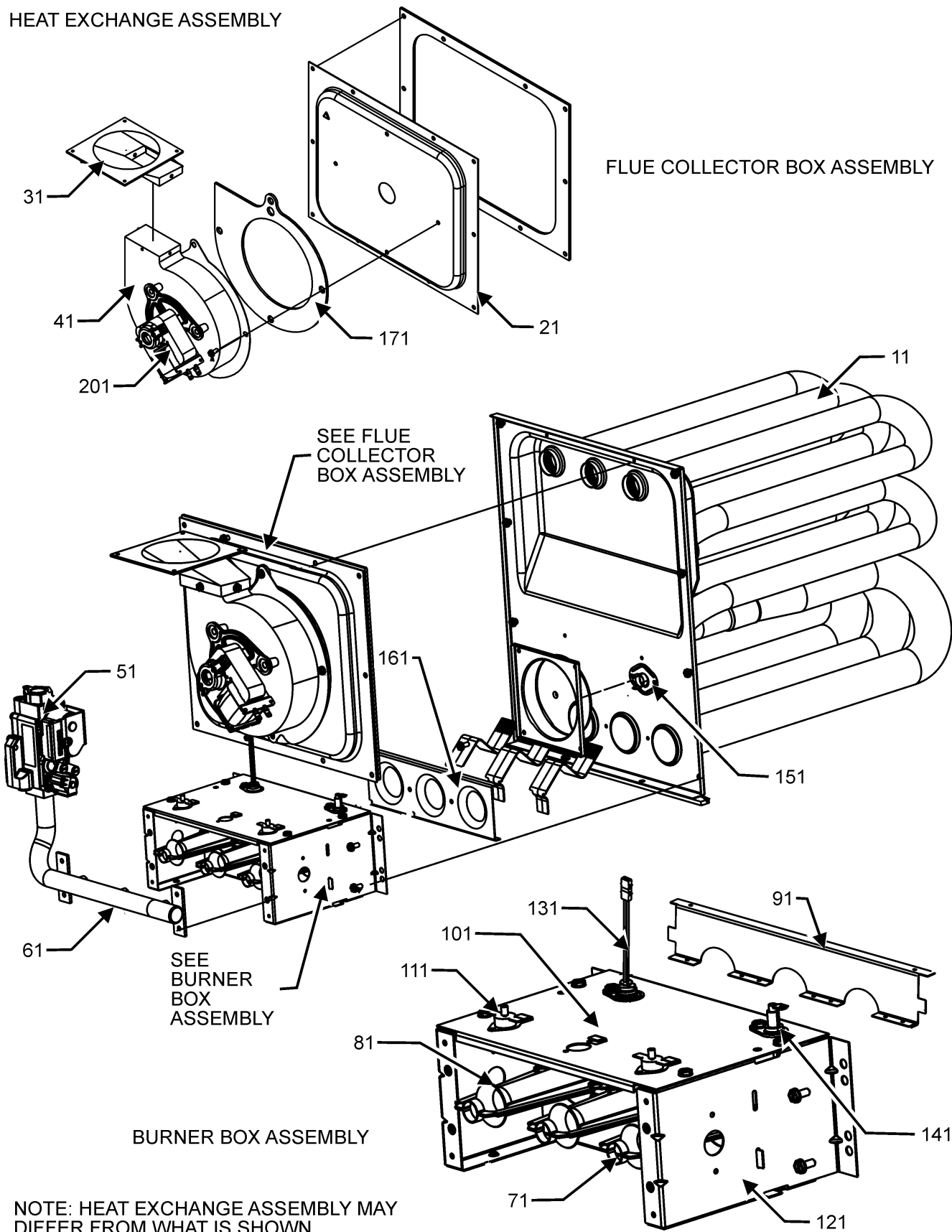
Ref. Part No:	Ref. Part No:	Description:	Description:
Image 1:			
21	20477501	GROMMET-HORSESHOE	
31	0130M00140	TRANSFORMER,(120V TO 24V,40VA,	
41	0130M00141	INDUCTOR, 5.9 AMPS (GMPE100-4) (M5, M6, M7, M8)	
51	PCBKF107	PCB, CONTROL BOARD	
61	PCBCM100	PCB, CONTROL	
71	0121F00745	D.F CONTROL PANEL MOUNT	
81	0121F00229	HEAT SHIELD	
111	0131M00270	MOTOR, 1/2 HP, SERIAL ECM (M1, M2, M3, M4)	
111	0131M00271	MOTOR, 3/4 HP, SERIAL ECM (M5, M6, M7, M8)	
121	0150M00042	WHEEL, BLOWER (10 X 10) (M5, M6, M7, M8)	
121	0150M00043	WHEEL, BLOWER (10 X 8) (M1, M2, M3, M4)	
131	0130F00038	LIMIT, PRIMARY 120 LT BLUE	
141	0121M00038	MOTOR MOUNT BAND (M1, M2, M3, M4)	
141	0121M00039	MOUNT BAND, MOTOR (HEAVY DUTY) (M5, M6, M7, M8)	
151	B1376853	MOTOR MOUNT ARM (M1, M2, M3, M4)	
151	B1376863	MOTOR MOUNT ARM (HEAVY DUTY) (M5, M6, M7, M8)	
161	0259F00068	POWER HARNESS	
181	B1392918	WASHER, FLAT 1/4 ID X 1 OD (QTY 3)	
191	0163M00320	HEX HEAD ALL THREAD TAP BOLT	
211	M0250565	SCREW-TC 1.25" (QTY 3)	
211	M0250565	SCREW-TC 1.25" (QTY 3)	
231	B1393800	LOCKNUT, NYLON INSERT 1/4 20	
251	0259F00067	CONTROL HARNESS	
261	2539307	BLOWER HOUSING 10 X 10 (M5, M6, M7, M8)	
261	2539306	BLOWER HOUSING 10 X 8 (M1, M2, M3, M4)	
271	764741	BLOWER BLOCK-OFF 10 X 10 (M5, M6, M7, M8)	
271	764740	BLOWER BLOCK-OFF 10 X 8 (M1, M2, M3, M4)	
NS	SHARED DATA	Availible thru CoolCloud HVAC app.	
NS	0159F00083	CABLE, RJ12	

Expanded Model Nomenclature

M1 - ACVC800603BXAA
M2 - ACVC800603BXAB
M3 - ACVC800803BXAA
M4 - ACVC800803BXAB
M5 - ACVC800805CXAA
M6 - ACVC800805CXAB
M7 - ACVC801005CXAA
M8 - ACVC801005CXAB

Heat Exchange Assembly

HEAT EXCHANGE ASSEMBLY



Heat Exchange Assembly

Ref. Part No:	Ref. Part No:	Description:	Description:
Image 1:			
11	0270F03531	HEAT EXCHANGER ASSY (M1, M2)	
11	0270F03532	HEAT EXCHANGER ASSY (M3, M4)	
11	0270F03533	HEAT EXCHANGER ASSY (M5, M6)	
11	0270F03534	HEAT EXCHANGER ASSY (M7, M8)	
21	0121F00332	17.5" COLLECTOR BOX 1.375" DIA (M1, M2)	
21	0121F00331	17.5" COLLECTOR BOX 1.500" DIA (M3, M4)	
21	0121F00365	21" COLLECTOR BOX 1.437" DIA. (M5, M6)	
21	0121F00333	21" COLLECTOR BOX 1.75" DIA (M7, M8)	
31	0128F00006	TRANSITION, BOTTOM	
41	0131M00781P	MOTOR, VENT 2-STAGE	
51	0151M00027	GAS VALVE	
61	0120F00007	MANIFOLD (M1, M2)	
61	0120F00008	MANIFOLD (M3, M4, M5, M6)	
61	0120F00009	MANIFOLD (M7, M8)	
71	10716005	ORIFICE (QTY 3)	
81	B4022700	INSHOT BURNER ASSY 3" (QTY 3)	
91	0121F00168	BURNER BRACKET 3B (M1, M2)	
91	0121F00169	BURNER BRACKET 4B (M3, M4, M5, M6)	
91	0121F00170	BURNER BRACKET 5B (M7, M8)	
101	0121F00163	BURNER BOX TOP 3 CELL (M1, M2)	
101	0121F00164	BURNER BOX TOP 4 CELL (M3, M4, M5, M6)	
101	0121F00165	BURNER BOX TOP 5 CELL (M7, M8)	
111	10123529	MANUAL RESET R.O.S. LIMIT (QTY 2)	
121	0121F00146	BURNER BOX SIDE (QTY 2)	
131	0130F00008	SINI IGNITOR	
141	0130F00010	FLAME SENSOR	
151	0130F00071	LIMIT SWITCH (M1, M2)	
151	0130F00067	LIMIT-RED (M5, M6, M7, M8)	
151	0130F00036	PRIMARY LIMIT - PINK 180° (M3, M4)	
161	4028001	ORIFICE SHIELD 3 CELL (M1, M2)	
161	4028002	ORIFICE SHIELD 4 CELL (M3, M4, M5, M6)	
161	4028003	ORIFICE SHIELD 5 CELL (M7, M8)	
171	0154F00004	VENT MOTOR GASKET 17.5" (M1, M2, M3, M4)	
171	0154F00005	VENT MOTOR GASKET 21" (M5, M6, M7, M8)	
201	DY6.186.070	VENT MOTOR CAPACITOR	
NS	0259F00066	INDUCER HARNESS ASSY	
NS	0259F00063	WIRE HARNESS ASSY (M1, M3, M5, M7)	
NS	0259F00263	WIRE HARNESS ASSY	
NS	0259F00264	WIRE HARNESS ASSY	
NS	0259F00265	WIRE HARNESS ASSY (M1, M3, M5, M7)	
NS	0259F00287	WIRE HARNESS ASSY (M2, M4, M6, M8)	
NS	0259F00290	WIRE HARNESS ASSY (M2, M4, M6, M8)	

Expanded Model Nomenclature

- | |
|---------------------|
| M1 - ACVC800603BXAA |
| M2 - ACVC800603BXAB |
| M3 - ACVC800803BXAA |
| M4 - ACVC800803BXAB |
| M5 - ACVC800805CXAA |
| M6 - ACVC800805CXAB |
| M7 - ACVC801005CXAA |
| M8 - ACVC801005CXAB |