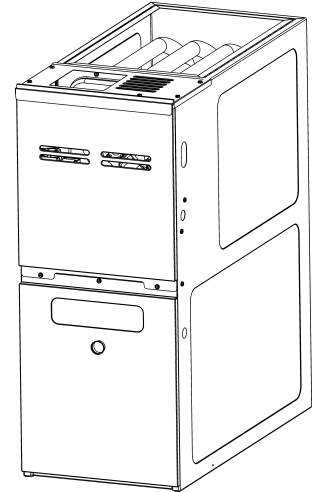




# REPAIR PARTS

## ACVC 80% High Efficient Furnace

ACVC800603BXAC  
ACVC800603BXAD  
ACVC800803BXAC  
ACVC800803BXAD  
ACVC800805CXAC  
ACVC800805CXAD  
ACVC801005CXAC  
ACVC801005CXAD



Amana® is a registered trademark of Maytag Corporation or its related companies and is used under license. All rights reserved.

This manual is to be used by qualified technicians only.

This manual replaces RP-A2333

© 2021 Goodman Company, L.P. ♦ 5151 San Felipe St, Suite 500 ♦ Houston, TX 77056

# Important Information

---

## Index

Functional Parts List .....	3
Illustration and Parts .....	4 - 9

*Views shown are for parts illustrations only, not servicing procedures.*

### Text Codes:

AR - As Required

NA - Not Available

NS - Not Shown

00000000 - See Note

QTY - Quantity Example (QTY 3) (If Quantity not shown, Quantity = 1)

M - Model Example (M1) (If M Code not shown, then part is used on all Models)

### Expanded Model Nomenclature:

Example
M1 - Model#1
M2 - Model#2
M3 - Model#3

Goodman Company, L.P. is not responsible for personal injury or property damage resulting from improper service. Review all service information before beginning repairs.

Warranty service must be performed by an authorized technician, using authorized factory parts. If service is required after the warranty expires, Goodman Company, L.P. also recommends contacting an authorized technician and using authorized factory parts.

Goodman Company, L.P. reserves the right to discontinue, or change at any time, specifications or designs without notice or without incurring obligations.

For assistance within the U.S.A. contact:

Homeowner Support  
Goodman Company, L.P.  
19001 Kermier Road  
Waller, Texas 77484  
877-254-4729-Telephone  
713-863-2382-Facsimile

For assistance outside the U.S.A. contact:

International Division  
Goodman Company, L.P.  
19001 Kermier Road  
Waller, Texas 77484  
713-861-2500-Telephone  
713-863-2382-Facsimile

# Functional Parts

## Part

## No: Description:

---

0130F00791	AIR PRESSURE SWITCH (M1, M2)
0130F00795	AIR PRESSURE SWITCH (M3, M4)
0130F00792	AIR PRESSURE SWITCH (M5, M6, M7, M8)
SHARED DATA	Available thru CoolCloud HVAC app.
0130F00010	FLAME SENSOR
0151M00027	GAS VALVE
0130M00141	INDUCTOR, 5.9 AMPS (M5, M6, M7, M8)
10690402	INTERLOCK SWITCH
0130F00071	LIMIT SWITCH (M1, M2)
0130F00038	LIMIT, PRIMARY 120 LT BLUE
0130F00067	LIMIT-RED (M5, M6, M7, M8)
10123529	MANUAL RESET R.O.S. LIMIT (QTY 2)
0131M01002	MOTOR, 1/2 HP (M2, M4)
0131M00270	MOTOR, 1/2 HP, SERIAL ECM (M1, M3)
0131M01003	MOTOR, 3/4 HP (M6, M8)
0131M00271	MOTOR, 3/4 HP, SERIAL ECM (M5, M7)
0131M00781P	MOTOR, VENT 2-STAGE
PCBKF109	PCB, CONTROL BOARD
0130F00036	PRIMARY LIMIT - PINK 180° (M3, M4)
0130F00008	SINI IGNITOR
0130M00140	TRANSFORMER 120V TO 24V, 40VA
0130M00140	TRANSFORMER,(120V TO 24V,40VA,

## SPECIAL PARTS

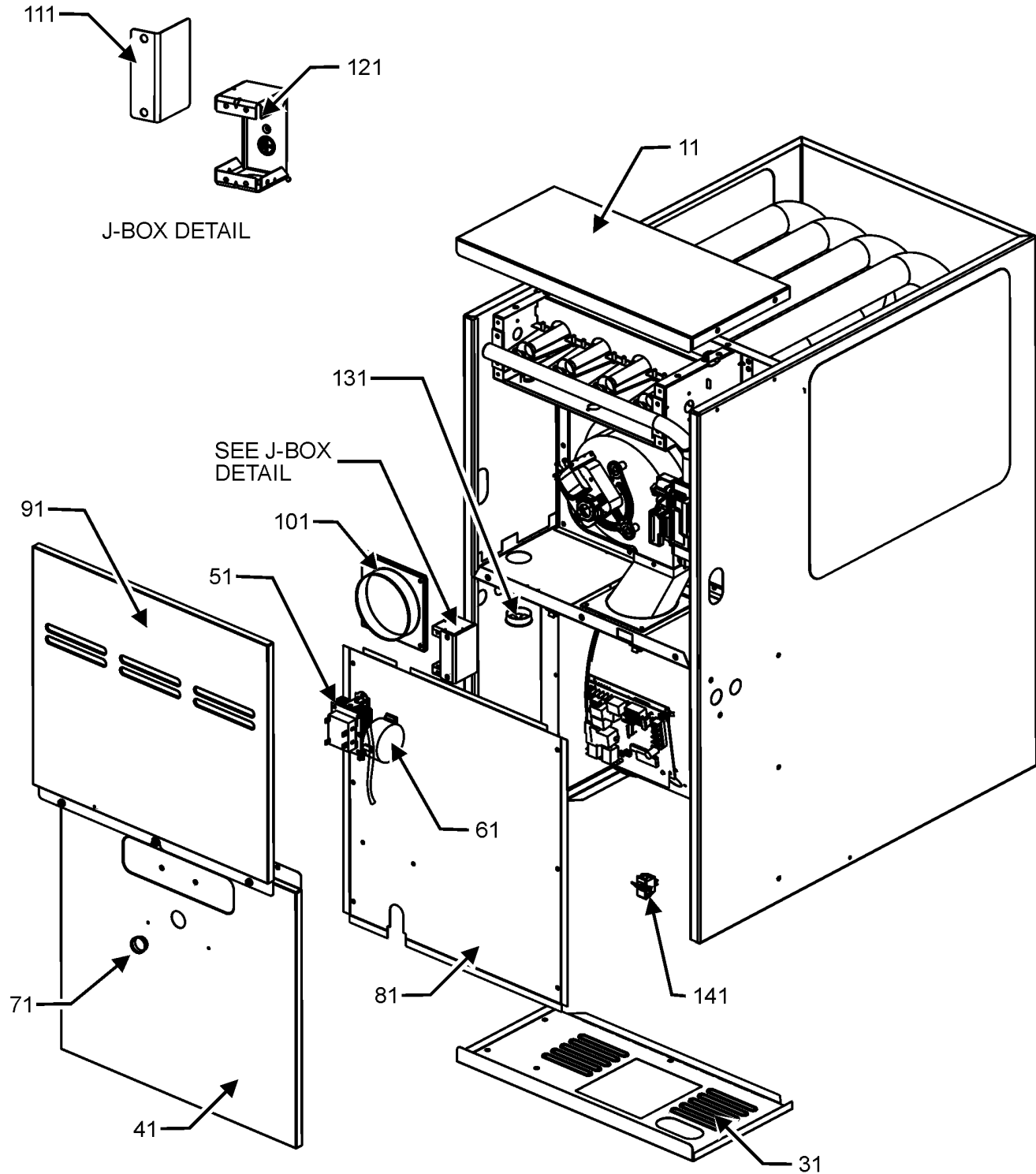
0161F00006 NAMEPLATE, AMANA

## Expanded Model Nomenclature

M1 - ACVC800603BXAC
M2 - ACVC800603BXAD
M3 - ACVC800803BXAC
M4 - ACVC800803BXAD
M5 - ACVC800805CXAC
M6 - ACVC800805CXAD
M7 - ACVC801005CXAC
M8 - ACVC801005CXAD

# Cabinet Assembly

## CABINET ASSEMBLY



NOTE: CABINET ASSEMBLY MAY DIFFER FROM WHAT IS SHOWN

# Cabinet Assembly

Ref. Part No:	Part No:	Description:	Ref. Part No:	Part No:	Description:
---------------	----------	--------------	---------------	----------	--------------

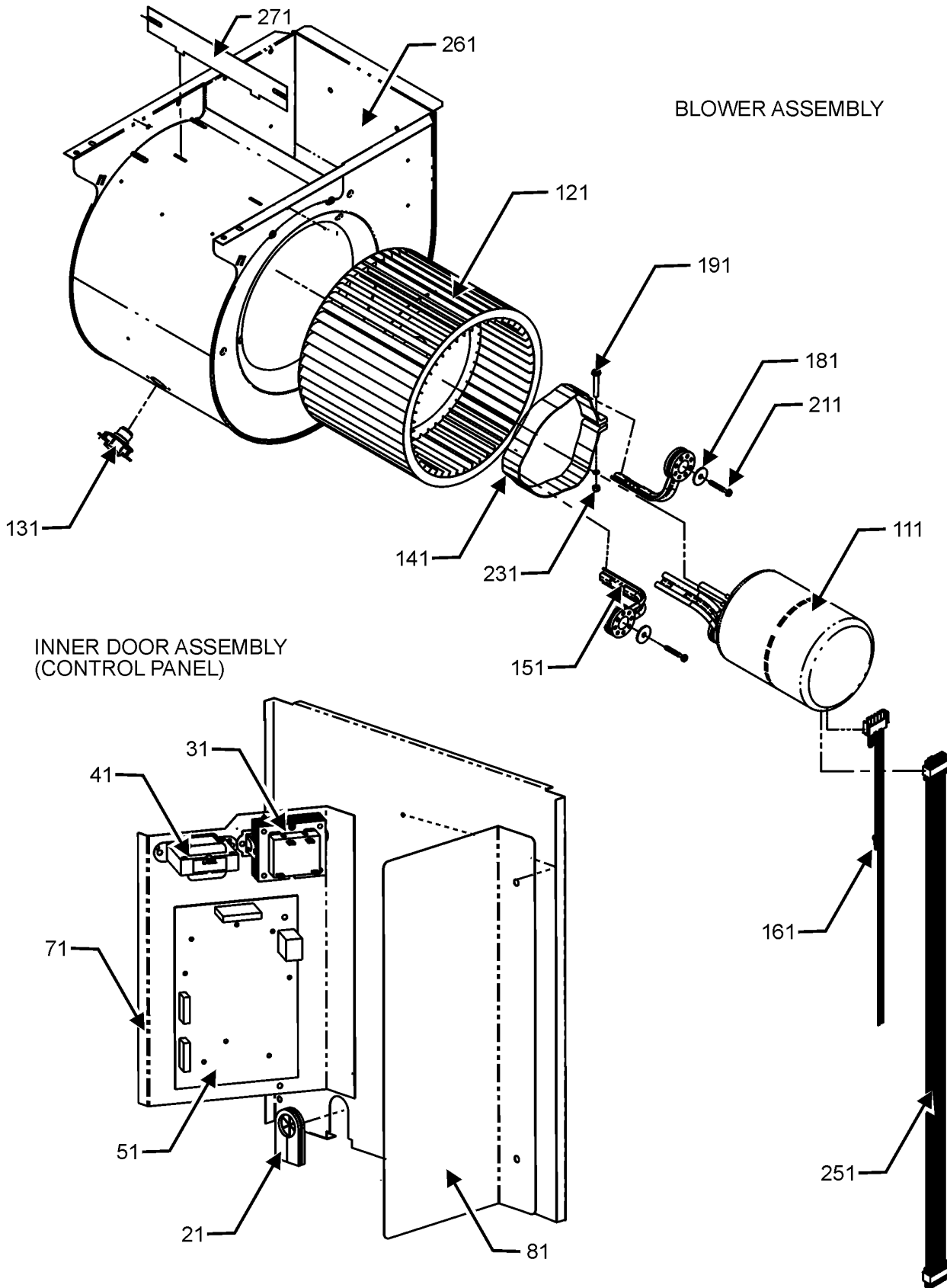
**Image 1:**

11	0121F00190DG	FURNACE BOTTOM 17.5" (M1, M2, M3, M4)
11	0121F00191DG	FURNACE BOTTOM 21" (M5, M6, M7, M8)
31	0121F00142DG	TOP 17.5" (M1, M2, M3, M4)
31	0121F00143DG	TOP 21" (M5, M6, M7, M8)
51	0130M00140	TRANSFORMER 120V TO 24V, 40VA
61	0130F00791	AIR PRESSURE SWITCH (M1, M2)
61	0130F00792	AIR PRESSURE SWITCH (M5, M6, M7, M8)
61	0130F00795	AIR PRESSURE SWITCH (M3, M4)
71	B1392139	VIEW PORT BUSHING-BLOWER DOOR
81	0121F00227	DOOR, INNER 17.5" (M1, M2, M3, M4)
81	0121F00228	DOOR, INNER 21" (M5, M6, M7, M8)
91	0121F00119LG	CONTROL ACCESS DOOR 17.5" (M1, M2, M3, M4)
91	0121F00120LG	CONTROL ACCESS DOOR 21" (M5, M6, M7, M8)
101	4023500	CHIMNEY TRANSITION TOP
111	4015502	J-BOX COVER
121	4014502	J-BOX
131	B1392147	UNIVERSAL BUSHING WITH SLICE
141	10690402	INTERLOCK SWITCH
NS	0161F00006	NAMEPLATE, AMANA

**Expanded Model Nomenclature**

- |                     |
|---------------------|
| M1 - ACVC800603BXAC |
| M2 - ACVC800603BXAD |
| M3 - ACVC800803BXAC |
| M4 - ACVC800803BXAD |
| M5 - ACVC800805CXAC |
| M6 - ACVC800805CXAD |
| M7 - ACVC801005CXAC |
| M8 - ACVC801005CXAD |

# Blower and Control Panel Assembly



NOTE: BLOWER AND INNER DOOR ASSEMBLY MAY DIFFER FROM WHAT IS SHOWN

# Blower and Control Panel Assembly

Ref. Part No:	No:	Description:	Ref. Part No:	No:	Description:
<b>Image 1:</b>					
21	20477501	GROMMET-HORSESHOE			
31	0130M00140	TRANSFORMER,(120V TO 24V,40VA,			
41	0130M00141	INDUCTOR, 5.9 AMPS (M5, M6, M7, M8)			
51	PCBKF109	PCB, CONTROL BOARD			
71	0121F00764	80% DF B & C CAB PCB MTG PANEL			
81	0121F00229	HEAT SHIELD			
111	0131M01002	MOTOR, 1/2 HP (M2, M4)			
111	0131M00270	MOTOR, 1/2 HP, SERIAL ECM (M1, M3)			
111	0131M01003	MOTOR, 3/4 HP (M6, M8)			
111	0131M00271	MOTOR, 3/4 HP, SERIAL ECM (M5, M7)			
121	0150M00042	WHEEL, BLOWER (10 X 10) (M5, M6, M7, M8)			
121	0150M00043	WHEEL, BLOWER (10 X 8) (M1, M2, M3, M4)			
131	0130F00038	LIMIT, PRIMARY 120 LT BLUE			
141	0121M00038	MOTOR MOUNT BAND (M1, M2, M3, M4)			
141	0121M00039	MOUNT BAND, MOTOR (HEAVY DUTY) (M5, M6, M7, M8)			
151	0163M00538	MOUNT ARM, MOTOR (M5, M6, M7, M8)			
151	B1376853	MOUNT ARM, MOTOR, A36-42 (M1, M2, M3, M4)			
161	0259F00068	POWER HARNESS			
181	B1392918	WASHER, FLAT 1/4 ID X 1 OD (QTY 3)			
191	0163M00320	HEX HEAD ALL THREAD TAP BOLT			
211	M0250565	SCREW-TC 1.25" (QTY 3)			
211	M0250565	SCREW-TC 1.25" (QTY 3)			
231	B1393800	LOCKNUT, NYLON INSERT 1/4 20			
251	0259F00067	CONTROL HARNESS			
261	2539307	BLOWER HOUSING 10 X 10 (M5, M6, M7, M8)			
261	2539306	BLOWER HOUSING 10 X 8 (M1, M2, M3, M4)			
271	764741	BLOWER BLOCK-OFF 10 X 10 (M5, M6, M7, M8)			
271	764740	BLOWER BLOCK-OFF 10 X 8 (M1, M2, M3, M4)			
NS	SHARED DATA	Av ailable thru CoolCloud HVAC app.			

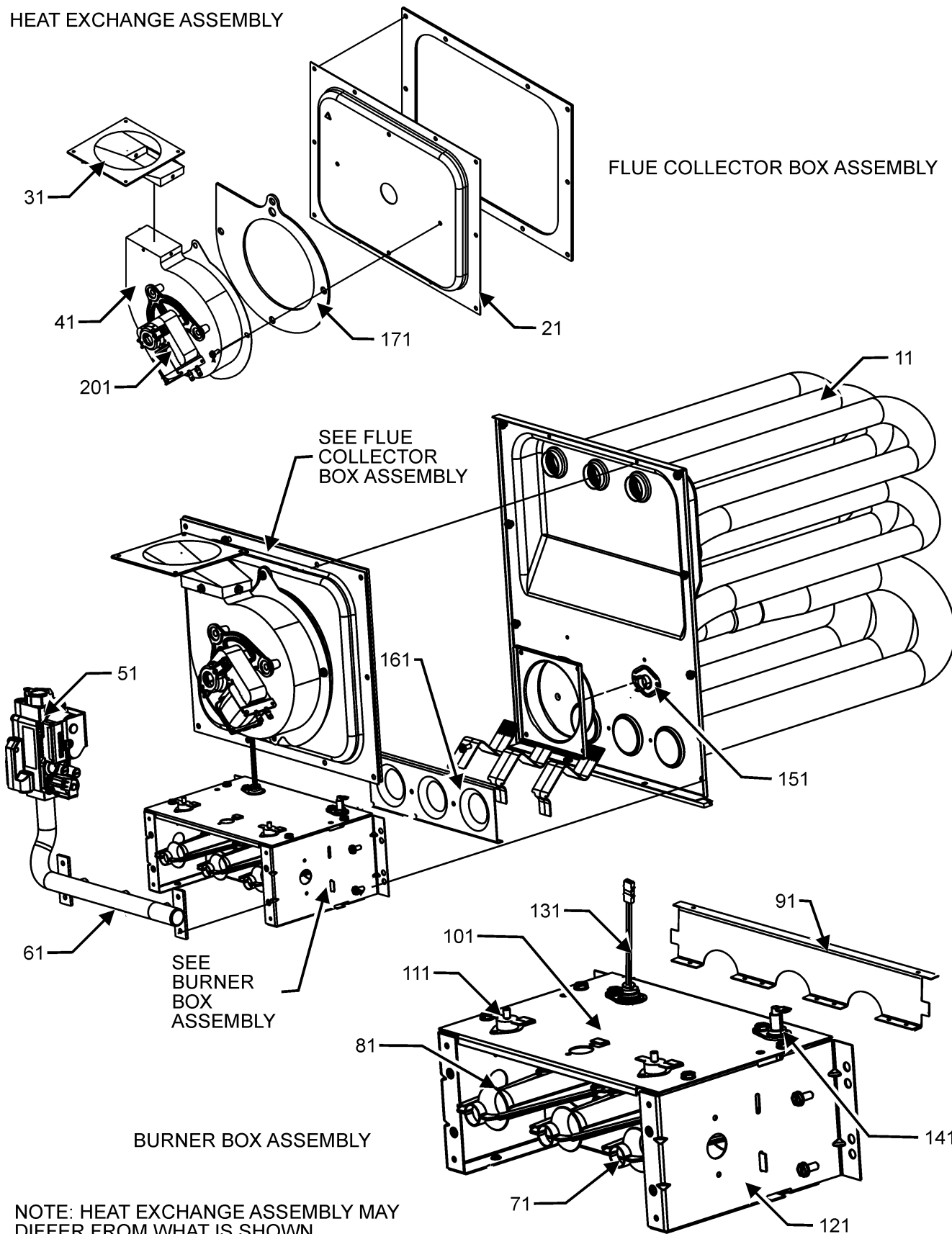
## Expanded Model Nomenclature

M1 - ACVC800603BXAC
M2 - ACVC800603BXAD
M3 - ACVC800803BXAC
M4 - ACVC800803BXAD
M5 - ACVC800805CXAC
M6 - ACVC800805CXAD
M7 - ACVC801005CXAC
M8 - ACVC801005CXAD

# Heat Exchange Assembly

HEAT EXCHANGE ASSEMBLY

FLUE COLLECTOR BOX ASSEMBLY



NOTE: HEAT EXCHANGE ASSEMBLY MAY DIFFER FROM WHAT IS SHOWN

# Heat Exchange Assembly

Ref. Part No:	Part No:	Description:	Ref. Part No:	Part No:	Description:
---------------	----------	--------------	---------------	----------	--------------

**Image 1:**

11	0270F03531	HEAT EXCHANGER ASSY (M1, M2)
11	0270F03532	HEAT EXCHANGER ASSY (M3, M4)
11	0270F03533	HEAT EXCHANGER ASSY (M5, M6)
11	0270F03534	HEAT EXCHANGER ASSY (M7, M8)
21	0121F00332	17.5" COLLECTOR BOX 1.375" DIA (M1, M2)
21	0121F00331	17.5" COLLECTOR BOX 1.500" DIA (M3, M4)
21	0121F00365	21" COLLECTOR BOX 1.437" DIA. (M5, M6)
21	0121F00333	21" COLLECTOR BOX 1.75" DIA (M7, M8)
31	0128F00006	TRANSITION, BOTTOM
41	0131M00781P	MOTOR, VENT 2-STAGE
51	0151M00027	GAS VALVE
61	0120F00007	MANIFOLD (M1, M2)
61	0120F00008	MANIFOLD (M3, M4, M5, M6)
61	0120F00009	MANIFOLD (M7, M8)
71	10716005	ORIFICE (QTY 3)
81	B4022700	INSHOT BURNER ASSY 3" (QTY 3)
91	0121F00168	BURNER BRACKET 3B (M1, M2)
91	0121F00169	BURNER BRACKET 4B (M3, M4, M5, M6)
91	0121F00170	BURNER BRACKET 5B (M7, M8)
101	0121F00759	TOP, BURNER BOX 3 CELL (M1, M2)
101	0121F00760	TOP, BURNER BOX 4 CELL (M3, M4, M5, M6)
101	0121F00761	TOP, BURNER BOX 5 CELL (M7, M8)
111	10123529	MANUAL RESET R.O.S. LIMIT (QTY 2)
121	0121F00146	BURNER BOX SIDE (QTY 2)
131	0130F00008	SINI IGNITOR
141	0130F00010	FLAME SENSOR
151	0130F00071	LIMIT SWITCH (M1, M2)
151	0130F00067	LIMIT-RED (M5, M6, M7, M8)
151	0130F00036	PRIMARY LIMIT - PINK 180° (M3, M4)
161	4028001	ORIFICE SHIELD 3 CELL (M1, M2)
161	4028002	ORIFICE SHIELD 4 CELL (M3, M4, M5, M6)
161	4028003	ORIFICE SHIELD 5 CELL (M7, M8)
171	0154F00004	VENT MOTOR GASKET 17.5" (M1, M2, M3, M4)
171	0154F00005	VENT MOTOR GASKET 21" (M5, M6, M7, M8)
201	DY6.186.070	VENT MOTOR CAPACITOR
NS	0259F00066	INDUCER HARNESS ASSY
NS	0259F00263	WIRE HARNESS ASSY
NS	0259F00264	WIRE HARNESS ASSY

**Expanded Model Nomenclature**

M1 - ACVC800603BXAC
M2 - ACVC800603BXAD
M3 - ACVC800803BXAC
M4 - ACVC800803BXAD
M5 - ACVC800805CXAC
M6 - ACVC800805CXAD
M7 - ACVC801005CXAC
M8 - ACVC801005CXAD