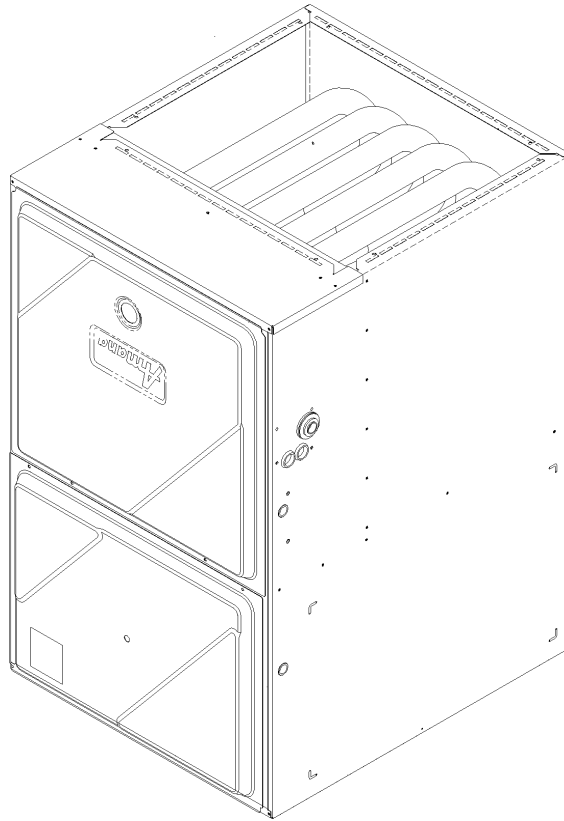


ACV9 90% Counterflow Two-Stage Variable Speed Furnace

ACV90704CXBA
ACV90704CXBB
ACV90905DXBA
ACV90905DXBB



Important Information

Index

Functional Parts List	3
Illustration and Parts	4 - 11

Views shown are for parts illustrations only, not servicing procedures

Rev. A: Added "BB" models.

Text Codes:

AR - As Required

NA - Not Available

NS - Not Shown

00000000 - See Note

QTY - Quantity Example (QTY 3) (If Quantity not shown, Quantity = 1)

M - Model Example (M1) (If M Code not shown, then part is used on all Models)

Expanded Model Nomenclature:

Example M1 - Model#1 M2 - Model#2 M3 - Model#3

Goodman Company, L.P. is not responsible for personal injury or property damage resulting from improper service. Review all service information before beginning repairs.

Warranty service must be performed by an authorized technician, using authorized factory parts. If service is required after the warranty expires, Goodman Company, L.P. also recommends contacting an authorized technician and using authorized factory parts.

Goodman Company, L.P. reserves the right to discontinue, or change at any time, specifications or designs without notice or without incurring obligations.

For assistance within the U.S.A. contact:

Consumer Affairs Department
Goodman Company, L.P.
7401 Security Way
Houston, Texas 77040
877-254-4729-Telephone
713-863-2382-Facsimile

For assistance outside the U.S.A. contact:

International Division
Goodman Company, L.P.
7401 Security Way
Houston, Texas 77040
713-861-2500-Telephone
713-863-2382-Facsimile

Functional Parts

Part

No: Description:

0257F00157S	ASSY-HEAT EXCHANGER 3B (M1, M2)
0257F00154S	ASSY-HEAT EXCHANGER 4B (M3, M4)
B1809927S	BOARD, IGNITION, HSI, 2 STAGE
20218901	COIL-INDUCTOR
0130F00010	FLAME SENSOR
0151F00000P	GAS VALVE
20245903S	ID BLOWER
0130F00008S	IGNITOR-SINI 17 SEC
B1370818	INTERLOCK SWITCH
20162903	LIMIT-PRIMARY 160°F (M1, M2)
20162908	LIMIT-PRIMARY 170°F (M3, M4)
10123536	LIMIT-RESET MANUAL 180°F ROLLOUT (M3, M4)
10123517	LIMIT-RESET MANUAL 210°F AUX (M3, M4)
10123534	LIMIT-RESET MANUAL 220°F AUX (M1, M2)
10123534	LIMIT-RESET MANUAL 220°F ROLLOUT (M1, M2)
20196402	MANIFOLD (M1, M2)
20196403	MANIFOLD (M3, M4)
0231K00038A	MOTOR-1 HP PROGRAMMED (M3, M4)
0231K00025A	MOTOR-3/4 HP PROGRAMMED (M1, M2)
10716003	ORIFICE (QTY 3)
11177118	PRESSURE SWITCH .021 TO .550
20197313	PRESSURE SWITCH -.370 TO -.550
B1141605	TRANSFORMER 120V TO 24V, 40VA
11118705	WIRING HARNESS 16-PIN
20275905	WIRING HARNESS 5-PIN
0159F00004	WIRING HARNESS-MAIN

SPECIAL PARTS

HI-115A	HOMEOWNERS INSTRUCTIONS
IO-253K	INSTALLATION INSTRUCTIONS
IO-661	INSTALLATION INSTRUCTIONS- MASSACHUSETTS
0161M00003P	NAMEPLATE
0142F00004	PM-ATAXCRDT50-1 CANARY
RP-416A	REPAIR PARTS MANUAL
10195518Q	STANDPIPE BAG ASSY

Expanded Model Nomenclature

M1 - ACV90704CXBA
M2 - ACV90704CXBB
M3 - ACV90905DXBA
M4 - ACV90905DXBB

Cabinet

Image 1

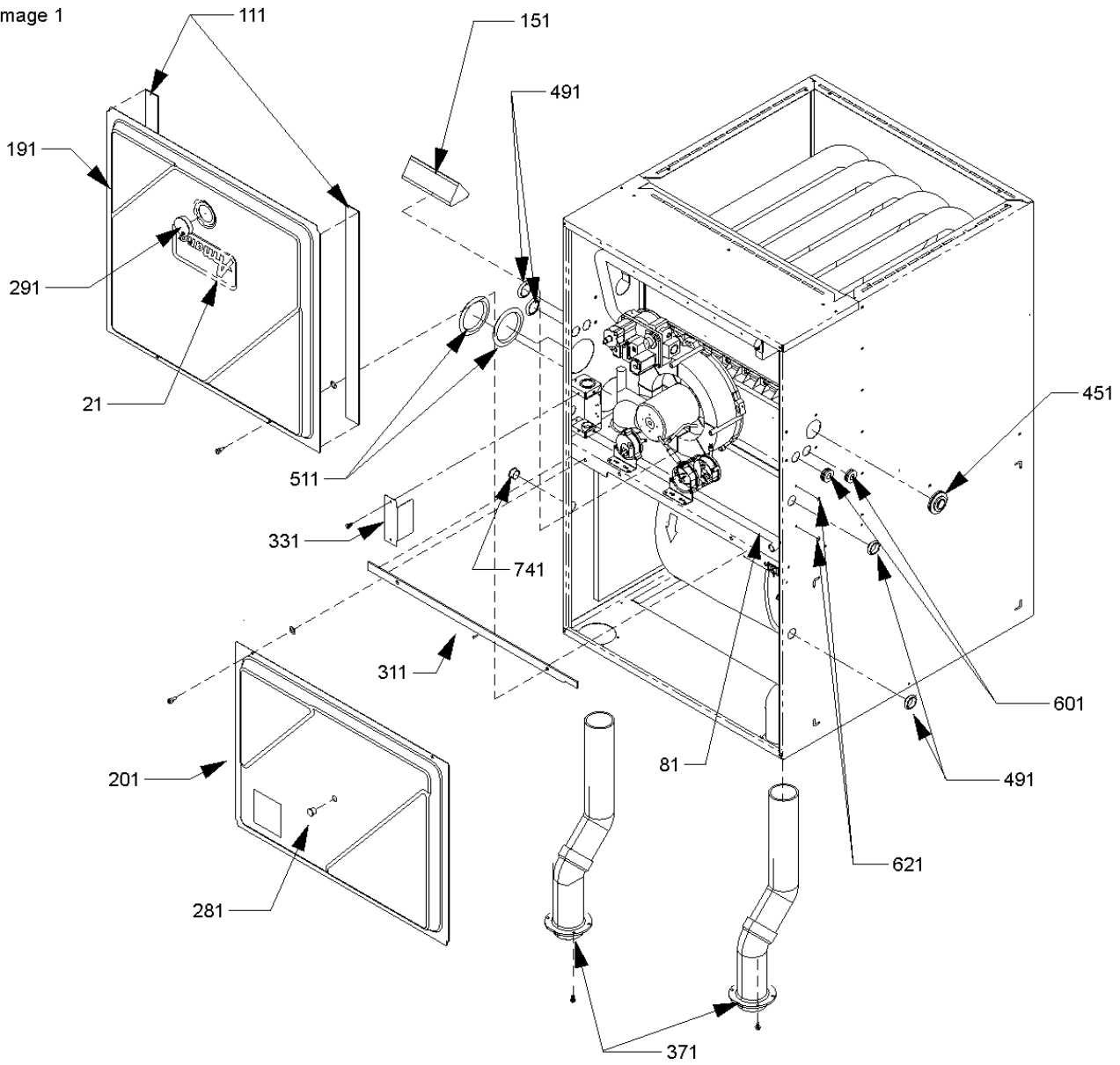
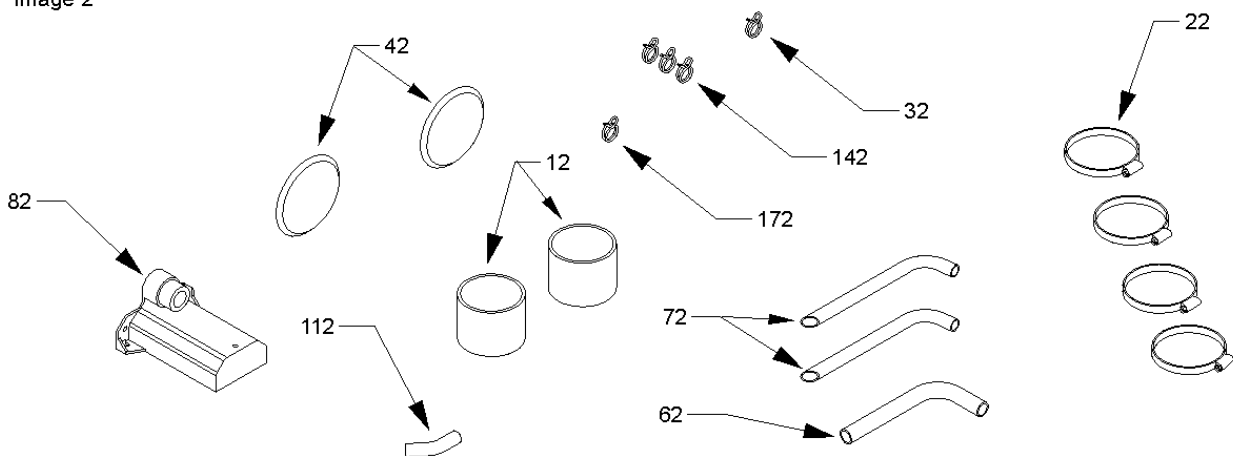


Image 2



Cabinet

Ref. Part No: No:	Description:	Ref. Part No: No:	Description:
-------------------	--------------	-------------------	--------------

Image 1:

21	0161M00003P	NAMEPLATE
81	20201902	DRAIN HOSE
111	20179308	GASKET (QTY 2)
151	10195518Q	STANDPIPE BAG ASSY
191	0121F00067LG	DOOR-ACCESS (M1, M2)
191	0121F00068LG	DOOR-ACCESS (M3, M4)
201	0121F00064LG	DOOR-BLOWER (M1, M2)
201	0121F00065LG	DOOR-BLOWER (M3, M4)
281	B1392139	VIEW PORT BUSHING-BLOWER DOOR
291	11104002	VIEW PORT BUSHING-ACCESS DOOR
311	22320002	GASKET-DECK (M1, M2)
311	22320003	GASKET-DECK (M3, M4)
331	10736201	COVER-HIGH VOLTAGE BOX
371	22309502	FLUE PIPE (QTY 2)
451	M0501301	PIPE GROMMET
491	M0570808	BUTTON PLUG (QTY 4)
511	M0570807	BUTTON PLUG
601	A4691701	GROMMET (QTY 2)
621	M0310345	BUTTON-PLUG (QTY 2)
741	B1392104	UNIVERSAL BUSHING UB 875 (QTY 2)

Image 2:

12	10254303	RUBBER COUPLING (QTY 2)
22	A3326002	CLAMP-HOSE (QTY 4)
32	M0119207	CLAMP-HOSE
42	M0570807	BUTTON PLUG (QTY 2)
62	20201901	DRAIN HOSE
72	20201802	DRAIN TUBE (QTY 2)
82	20171701	DRAIN TRAP
112	20214203	DRAIN-ANGLE
142	M0119205	CLAMP-HOSE (QTY 3)

Expanded Model Nomenclature

M1 - ACV90704CXBA
M2 - ACV90704CXBB
M3 - ACV90905DXBA
M4 - ACV90905DXBB

Blower Assembly

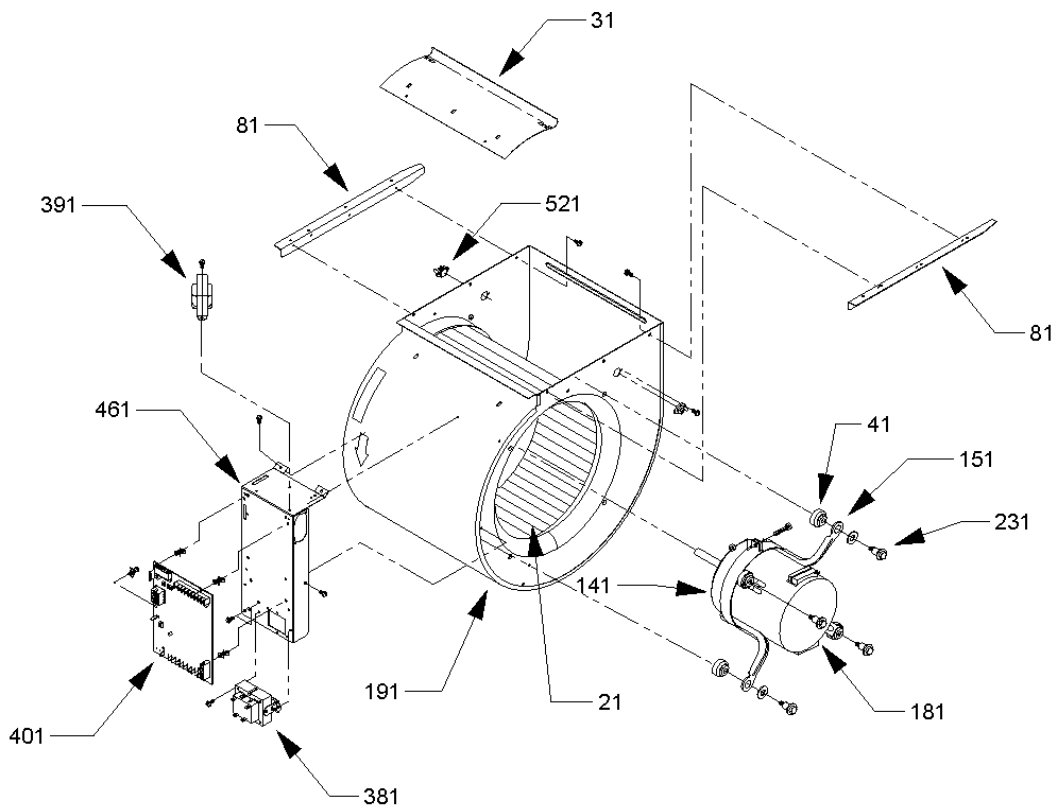
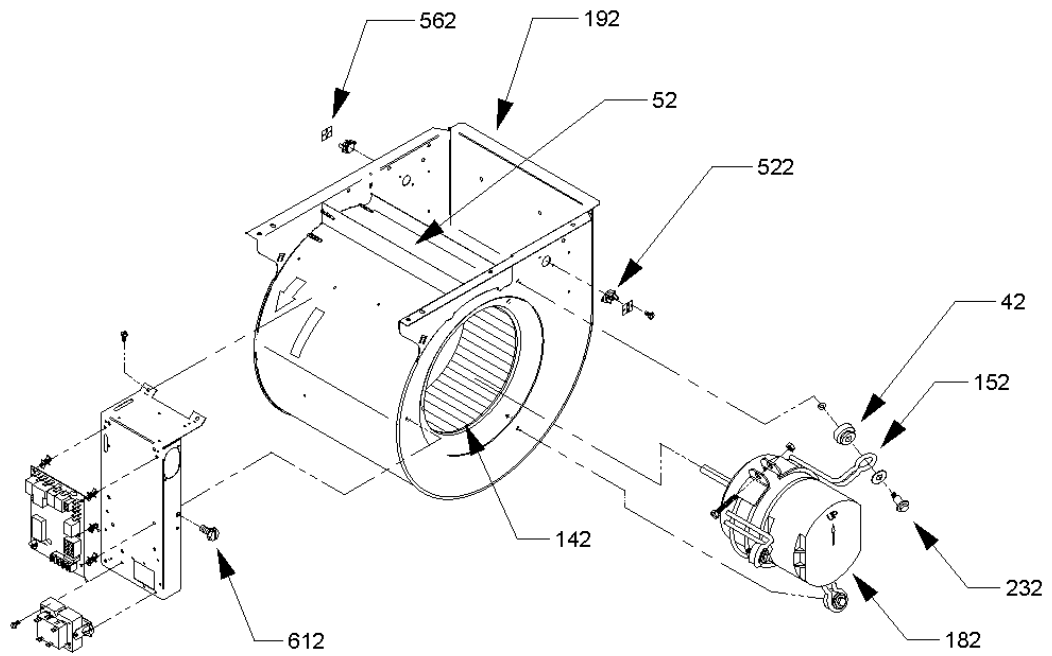


Image 1

Image 2



Blower Assembly

Ref. Part No: No:	Description:	Ref. Part No: No:	Description:
-------------------	--------------	-------------------	--------------

Image 1:

21	D6723311S	BLOWER WHEEL (M3, M4)
31	C6121807	CUT-OFF (M3, M4)
41	A4002701	GROMMET (M3, M4)
81	20175101	RAIL-BLOWER SIDE (M3, M4)
141	10441601	BAND-MOTOR MOUNT (M3, M4)
151	10441501	ARM-MOTOR MOUNT (M3, M4)
181	0231K00038A	MOTOR-1 HP PROGRAMMED (M3, M4)
191	0271F00047	BLOWER HOUSING ASSY 11 X 10 (M3, M4)
231	M0221461	SCREW-TC (M3, M4)
381	B1141605	TRANSFORMER 120V TO 24V, 40VA
391	20218901	COIL-INDUCTOR
401	B1809927S	BOARD, IGNITION, HSI, 2 STAGE
461	0121F00025P	BRACKET-CONTROL
521	10123536	LIMIT-RESET MANUAL 180°F ROLLOUT (M3, M4)
NS	11118705	WIRING HARNESS 16-PIN
NS	20275905	WIRING HARNESS 5-PIN
NS	0159F00004	WIRING HARNESS-MAIN

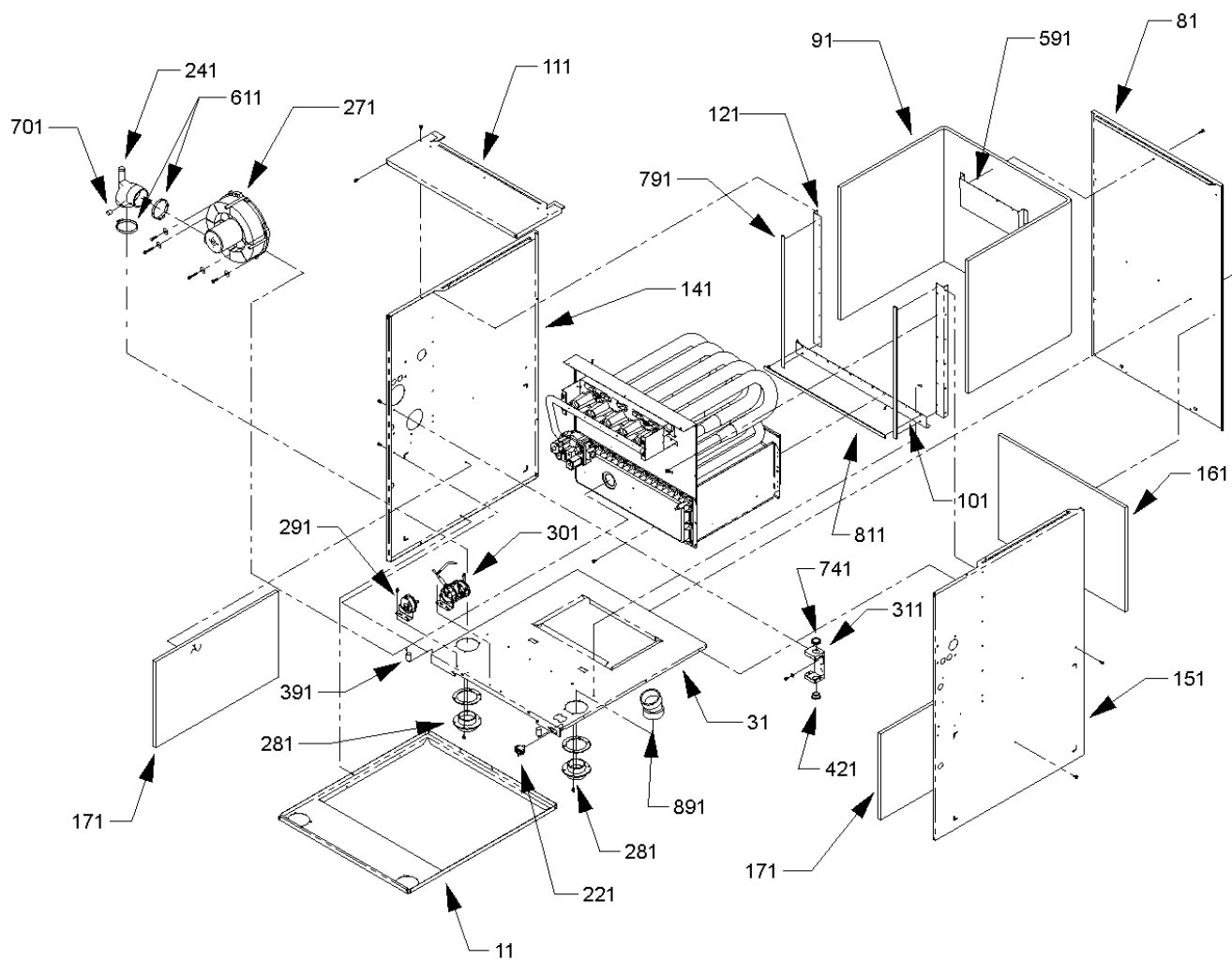
Image 2:

42	A4002702	GROMMET (M1, M2)
52	764741F	BLOWER BLOCK-OFF 10 X 10 (M1, M2)
52	10123534	LIMIT-RESET MANUAL 220°F ROLLOUT (M1, M2)
142	B1368047	BLOWER WHEEL 10 X 10 (M1, M2)
152	C9443702	BRACKET-MOTOR MOUNT (M1, M2)
182	0231K00025A	MOTOR-3/4 HP PROGRAMMED (M1, M2)
192	0271F00004P	BLOWER HOUSING ASSY 10 X 10 (M1, M2)
232	M0221461	SCREW-TC (M1, M2)
562	2509503F	BRACKET-ROLLOUT SWITCH (M1, M2)
612	M0250558	SCREW-TC (M1, M2)

Expanded Model Nomenclature

- | |
|-------------------|
| M1 - ACV90704CXBA |
| M2 - ACV90704CXBB |
| M3 - ACV90905DXBA |
| M4 - ACV90905DXBB |

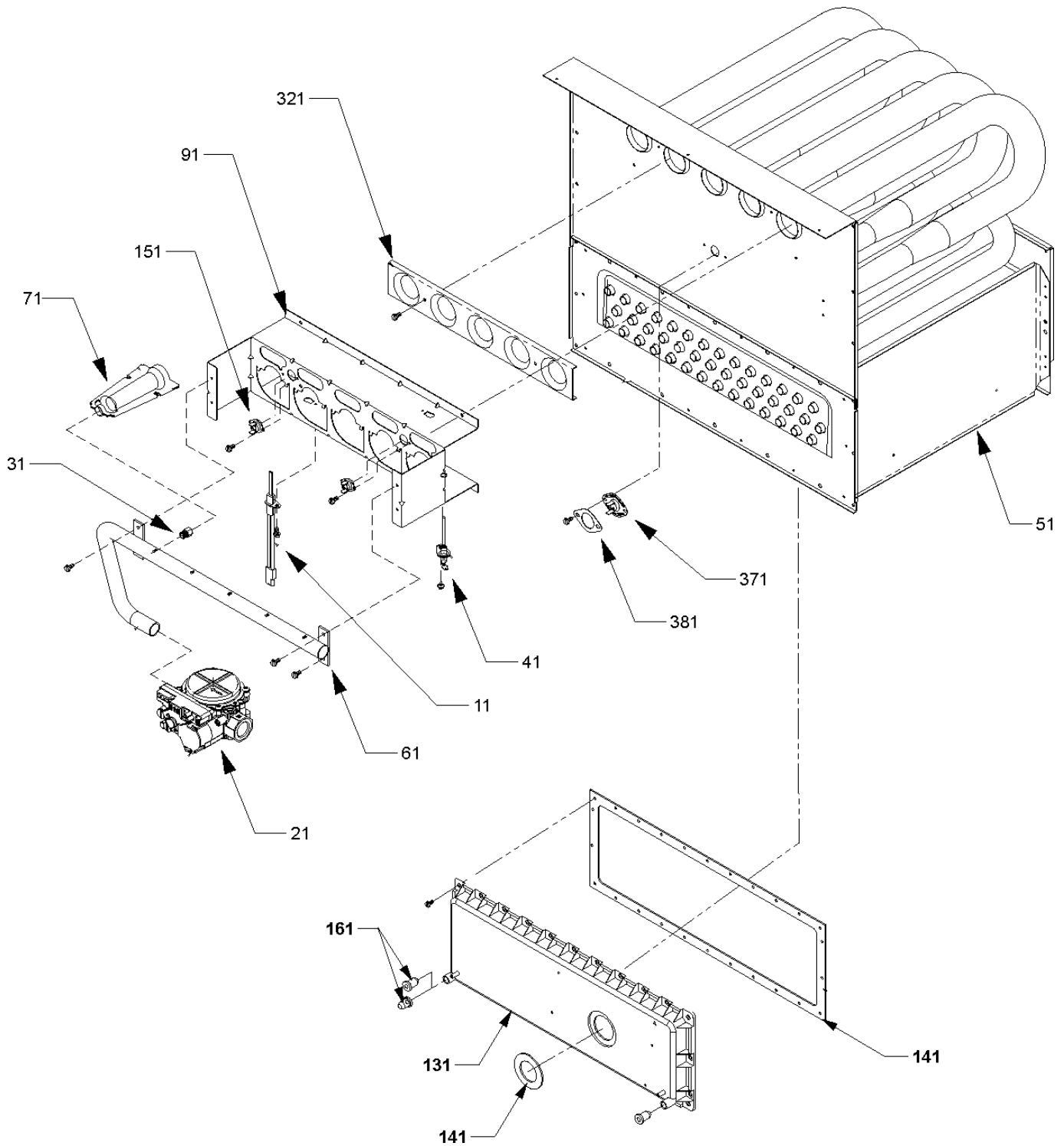
Chassis



Chassis

Ref. Part No:	No:	Description:	Ref. Part No:	No:	Description:				
<i>Image 1:</i>			Expanded Model Nomenclature						
11	20273510	BASEPAN (M1, M2)	<table border="1"> <tr> <td>M1 - ACV90704CXBA</td> </tr> <tr> <td>M2 - ACV90704CXBB</td> </tr> <tr> <td>M3 - ACV90905DXBA</td> </tr> <tr> <td>M4 - ACV90905DXBB</td> </tr> </table>			M1 - ACV90704CXBA	M2 - ACV90704CXBB	M3 - ACV90905DXBA	M4 - ACV90905DXBB
M1 - ACV90704CXBA									
M2 - ACV90704CXBB									
M3 - ACV90905DXBA									
M4 - ACV90905DXBB									
11	20273512	BASEPAN (M3, M4)							
31	0121F00046	DECK-BLOWER 21" (M1, M2)							
31	0121F00049	DECK-BLOWER 24.5" (M3, M4)							
81	20273216	PANEL-BACK (M1, M2)							
81	20273218	PANEL-BACK (M3, M4)							
91	C6415909	INSULATION-HEAT EXCHANGER (M3, M4)							
91	C6415911	INSULATION-HEAT EXCHANGER (M1, M2)							
101	0121F00019P	RAIL-DECK (M1, M2)							
101	20191303	RAIL-DECK (M3, M4)							
111	0270F00104P	TOP COVER ASSY (M1, M2)							
111	0270F00105P	TOP COVER ASSY (M3, M4)							
121	20191603	RAIL-SIDE (M1, M2)							
121	20191604	RAIL-SIDE (M3, M4)							
141	0121F00036PDG	PANEL-SIDE LH							
151	0121F00034PDG	PANEL-SIDE RH							
161	20006602	INSULATION (M1, M2)							
161	20006603	INSULATION (M3, M4)							
171	20006604	INSULATION-SIDE (QTY 2)							
221	B1370818	INTERLOCK SWITCH							
241	20171802	ELBOW							
271	20245903S	ID BLOWER							
281	20049701	COUPLING-FA (QTY 2)							
291	20197313	PRESSURE SWITCH -.370 TO -.550							
301	11177118	PRESSURE SWITCH .021 TO .550							
311	10736102	BOX-HIGH VOLTAGE							
391	M0275521	PLASTIC SEALER							
421	A4554801	BUSHING-SNAP							
591	11165107	SHIELD-ID BLOWER							
611	A3326002	CLAMP-HOSE (QTY 2)							
701	M0326804	TUBE PLUG							
741	B1392104	UNIVERSAL BUSHING UB 875 (QTY 2)							
791	20194608	GASKET (QTY 2)							
811	20194606	GASKET (M1, M2)							
811	20194607	GASKET (M3, M4)							
891	C6455901	ELBOW-22 1/2 ELL							
NS	0164M00002	HOSE-PRESSURE SWITCH							
NS	0164M00002	HOSE-PRESSURE SWITCH (QTY 2)							
NS	0164M00003	HOSE-PRESSURE SWITCH							
NS	0164M00011	HOSE-PRESSURE SWITCH (M1, M2)							
NS	0164M00013	HOSE-PRESSURE SWITCH (M3, M4)							

Heat Exchanger/Manifold/ Gas Valve



Heat Exchanger/Manifold/ Gas Valve

Ref. Part No: No:	Description:	Ref. Part No: No:	Description:
-------------------	--------------	-------------------	--------------

Image 1:

11	0130F00008S	IGNITOR-SINI 17 SEC
21	0151F00000P	GAS VALVE
31	10716003	ORIFICE (QTY 3)
41	0130F00010	FLAME SENSOR
51	0257F00157S	ASSY-HEAT EXCHANGER 3B (M1, M2)
51	0257F00154S	ASSY-HEAT EXCHANGER 4B (M3, M4)
61	20196402	MANIFOLD (M1, M2)
61	20196403	MANIFOLD (M3, M4)
71	10735102S	BECKETT BURNER (QTY 3)
91	20190411	BRACKET-BURNER 3B (M1, M2)
91	20190412	BRACKET-BURNER 4B (M3, M4)
131	20170901AS	COVER-FRONT (M1)
131	20170901AS	COVER-FRONT (M2)
131	20171001AS	COVER-FRONT (M3)
131	20171001AS	COVER-FRONT (M4)
141	0154F00001P	GASKET-COIL (M1, M2)
141	0154F00002P	GASKET-COIL (M3, M4)
151	10123517	LIMIT-RESET MANUAL 210°F AUX (M3, M4)
151	10123534	LIMIT-RESET MANUAL 220°F AUX (M1, M2)
161	M0326804	TUBE PLUG (QTY 3)
321	11072202	SHIELD-ORIFICE (M1, M2)
321	11072203	SHIELD-ORIFICE (M3, M4)
371	20162903	LIMIT-PRIMARY 160°F (M1, M2)
371	20162908	LIMIT-PRIMARY 170°F (M3, M4)
381	10236702	WINDOW FRAME

Expanded Model Nomenclature

M1 - ACV90704CXBA
M2 - ACV90704CXBB
M3 - ACV90905DXBA
M4 - ACV90905DXBB