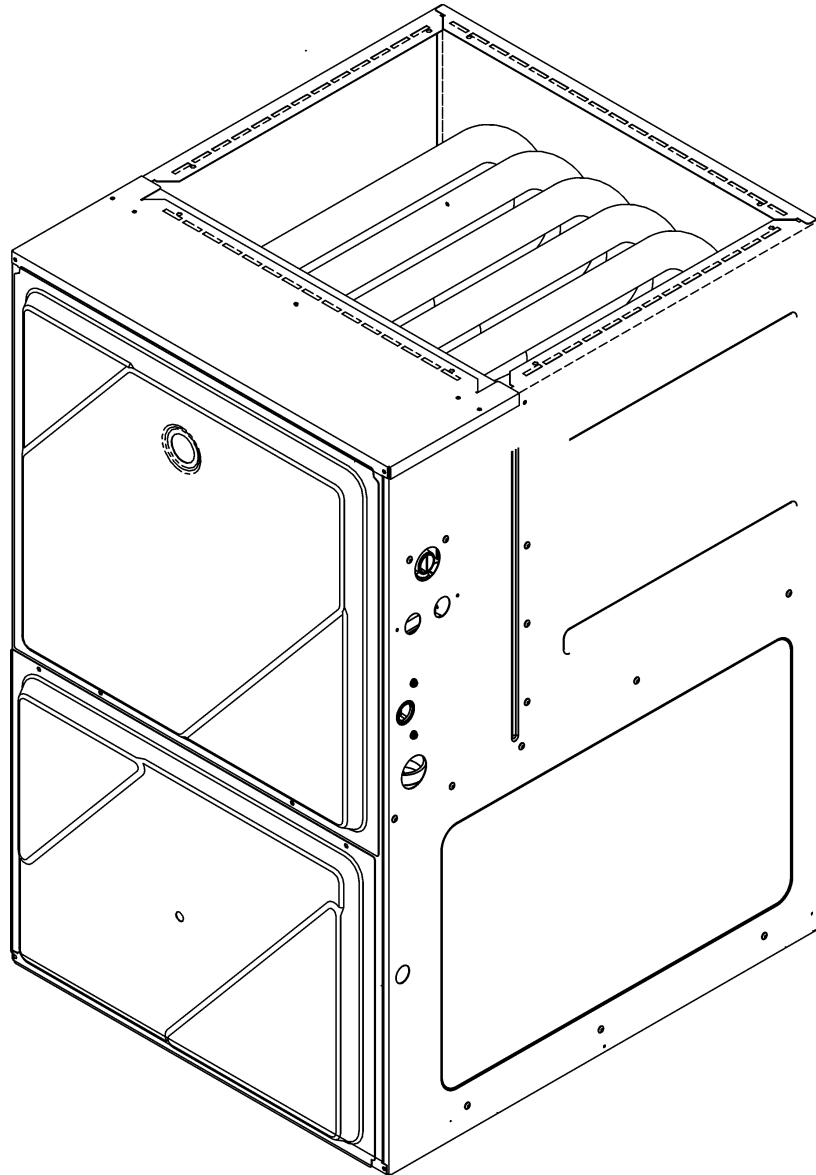


ACSS 96 % PSC Counter Flow Furnace

ACSS960402BNAA
ACSS960603BNAA
ACSS960804CNAA
ACSS961005CNAA
ACSS961205DNAA



Amana® is a registered trademark of Maytag Corporation or its related companies and is used under license to Goodman Company, L.P., Houston, TX, USA. All rights reserved.

This manual is to be used by qualified technicians only.

This manual replaces RP-A2004.

© 2014 Goodman Company, L.P. ♦ 5151 San Felipe St., Suite 500 ♦ Houston, TX 77056

Important Information

Index

Functional Parts List	3
Illustration and Parts	4 - 11

Views shown are for parts illustrations only, not servicing procedures

Rev A: Updates front cover, pressure switches, drain bag and blower information.

Text Codes:

AR - As Required

NA - Not Available

NS - Not Shown

00000000 - See Note

QTY - Quantity Example (QTY 3) (If Quantity not shown, Quantity = 1)

M - Model Example (M1) (If M Code not shown, then part is used on all Models)

Expanded Model Nomenclature:

Example M1 - Model#1 M2 - Model#2 M3 - Model#3

Goodman Company, L.P. is not responsible for personal injury or property damage resulting from improper service. Review all service information before beginning repairs.

Warranty service must be performed by an authorized technician, using authorized factory parts. If service is required after the warranty expires, Goodman Company, L.P. also recommends contacting an authorized technician and using authorized factory parts.

Goodman Company, L.P. reserves the right to discontinue, or change at any time, specifications or designs without notice or without incurring obligations.

For assistance within the U.S.A. contact:

Consumer Affairs Department

Goodman Company, L.P.

7401 Security Way

Houston, Texas 77040

877-254-4729-Telephone

713-863-2382-Facsimile

For assistance outside the U.S.A. contact:

International Division

Goodman Company, L.P.

7401 Security Way

Houston, Texas 77040

713-861-2500-Telephone

713-863-2382-Facsimile

Functional Parts

Part

No: **Description:**

0163F00017	BECKETT BURNER (QTY A/R)
0271F00181	BLOWER HSG ASSY (M1, M2)
0271F00182	BLOWER HSG ASSY (M3)
0271F00161	BLOWER SHELL & WHEEL ASSY (M4)
0271F00163	BLOWER SHELL & WHEEL ASSY (M5)
0150M00042	BLOWER WHEEL 10 X 10 (M3)
0150M00043	BLOWER WHEEL 10 X 8 (M1, M2)
CAP125000370LA	CAP, 12.5 MFD/370V/OVAL (M1, M2)
CAP200000370LA	CAP, 20 MFD/370V/OVAL (M3)
CAP150000370LA	CAPACITOR 15/370V (M4, M5)
0130F00010	FLAME SENSOR
0151M00037	GAS VALVE
0257F00371	HEAT EXCHANGER ASSY (M4)
0257F00372	HEAT EXCHANGER ASSY (M5)
0257F00380	HEAT EXCHANGER ASSY (M1)
0257F00362	HEAT EXCHANGER ASSY (M2)
0257F00363	HEAT EXCHANGER ASSY (M3)
10690402	INTERLOCK SWITCH
0130F00071	LIMIT SWITCH (M3)
10123539	MANUAL RESET LIMIT - ROS (M4, M5)
0130F00123	MANUAL RESET LIMIT - ROS (M1, M2)
10123534	MANUAL RESET LIMIT 220°F (M3)
0131F00038	MOTOR, 1/2 HP (M3)
0131F00027	MOTOR, 1/3HP, 4SP, 6PL (M1, M2)
0131F00031	MOTOR, 3/4 HP (M4, M5)
0171M00001	MOTOR-ID, BLOWER
PCBBF135	PCB, IGNITION, HSI, INTEG
0130F00476	PRESSURE SWITCH (-.1 / -.85) (M5)
0130F00484	PRESSURE SWITCH (-.08 / -1.49) (M1)
0130F00477	PRESSURE SWITCH (-.1 / -1.27) (M2, M3, M4)
20162903	PRIMARY LIMIT - BLUE (M4)
0130F00038	PRIMARY LIMIT - LT BLUE 120° (QTY 2)
20162906	PRIMARY LIMIT - WHITE (M5)
20162901	PRIMARY LIMIT-RED (M1, M2)
0130F00008	SINI IGNITOR
0130M00140	TRANSFORMER, 120V TO 24V,40VA

SPECIAL PARTS

0161M00003P AMANA NAMEPLATE

Expanded Model Nomenclature

M1 - ACSS960402BNAA
M2 - ACSS960603BNAA
M3 - ACSS960804CNAA
M4 - ACSS961005CNAA
M5 - ACSS961205DNAA

Cabinet

Image 1

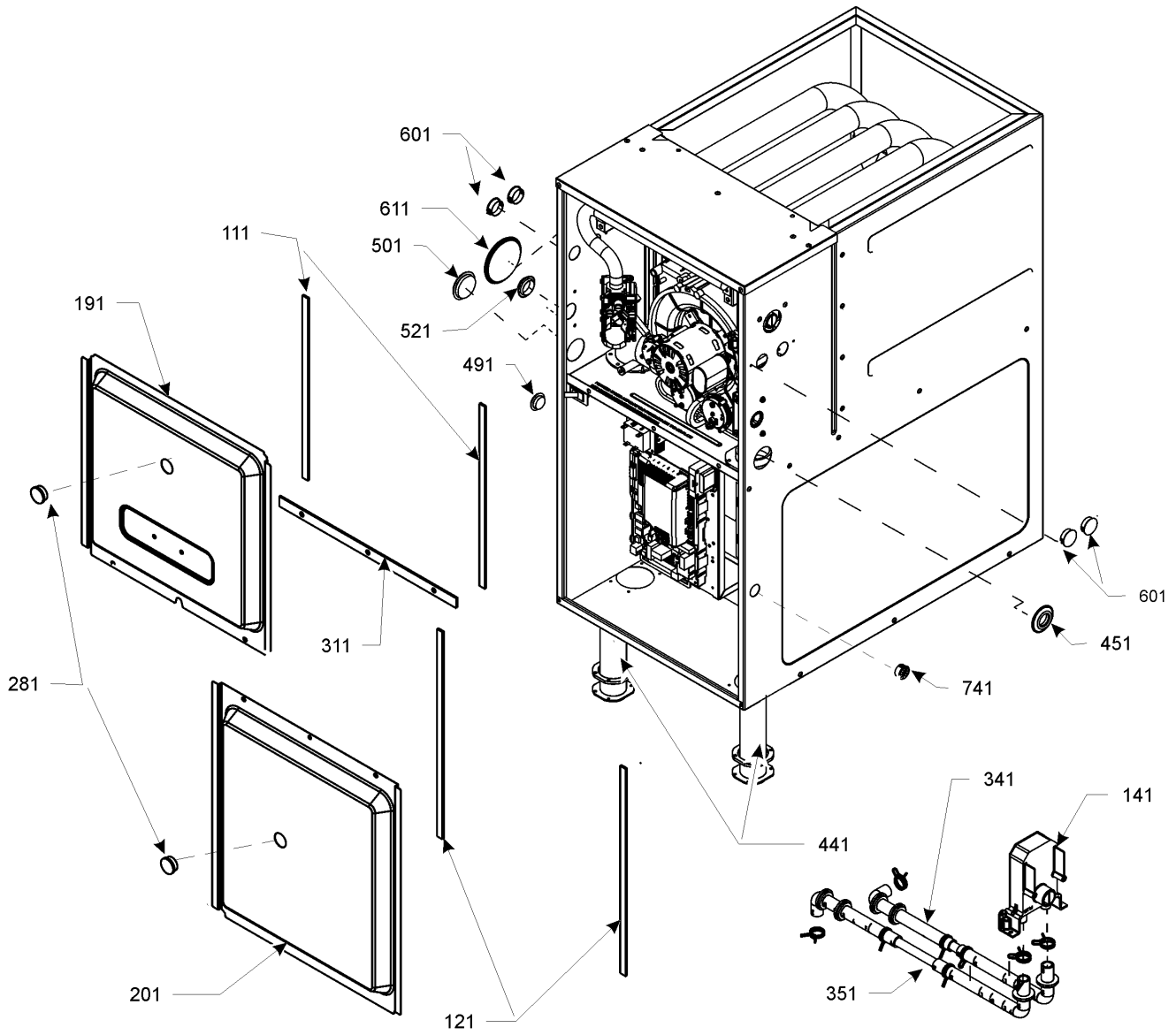
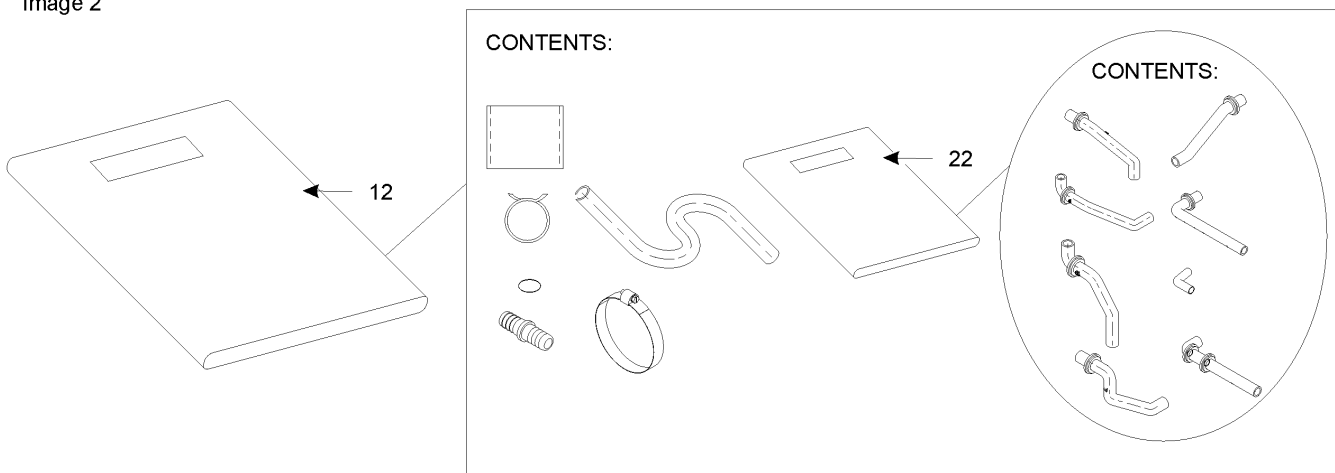


Image 2



Cabinet

Ref. Part No: No:	Description:	Ref. Part No: No:	Description:
-------------------	--------------	-------------------	--------------

Image 1:

111	0154F00024	GASKET (QTY 2)
121	0154F00025	GASKET (QTY 2)
141	0161F00046	DRAIN TRAP
191	0121F00338LG	DOOR ACCESS 21" PNT (M3, M4)
191	0121F00337LG	DOOR, ACCESS 17.5" PNT (M1, M2)
191	0121F00339LG	DOOR, ACCESS 24.5" PNT (M5)
201	0121F00340LG	DOOR, BLOWER 17.5" PNT (M1, M2)
201	0121F00341LG	DOOR, BLOWER 21" PNT (M3, M4)
201	0121F00342LG	DOOR, BLOWER 24.5" PNT (M5)
281	B1392139	VIEW PORT BUSHING-BLOWER DOOR (QTY 2)
311	0154F00020	DECK GASKET (M1, M2)
311	0154F00021	DECK GASKET (M3, M4)
311	0154F00022	DECK GASKET (M5)
341	0270F03125	CF DRAIN TUBE ASSY (M1, M2)
341	0270F03515	CF DRAIN TUBE ASSY (M3, M4)
341	0270F03516	CF DRAIN TUBE ASSY (M5)
351	0270F03126	CF DRAIN TUBE ASSY (M3, M4)
351	0270F03127	CF DRAIN TUBE ASSY (M5)
351	0270F03514	CF DRAIN TUBE ASSY (M1, M2)
441	0161F00064	PIPE, STRAIGHT CF (QTY 2)
451	M0501301	PIPE GROMMET
491	M0570808	BUTTON PLUG
501	M0570806	BUTTON PLUG (QTY 2)
521	0161M00027	HOLE PLUG
601	B1392021	PLASTIC PLUG, 1" (2713-BLK) (QTY 4)
611	0163M00049	HOSE CLAMP (QTY 2)
741	B1392104	UNIVERSAL BUSHING UB 875
NS	0161M00003P	AMANA NAMEPLATE
NS	M0310345	BUTTON PLUG (QTY 2)
NS	M0570807	BUTTON PLUG
NS	M0209730	DECORATIVE SCREW (QTY 3)

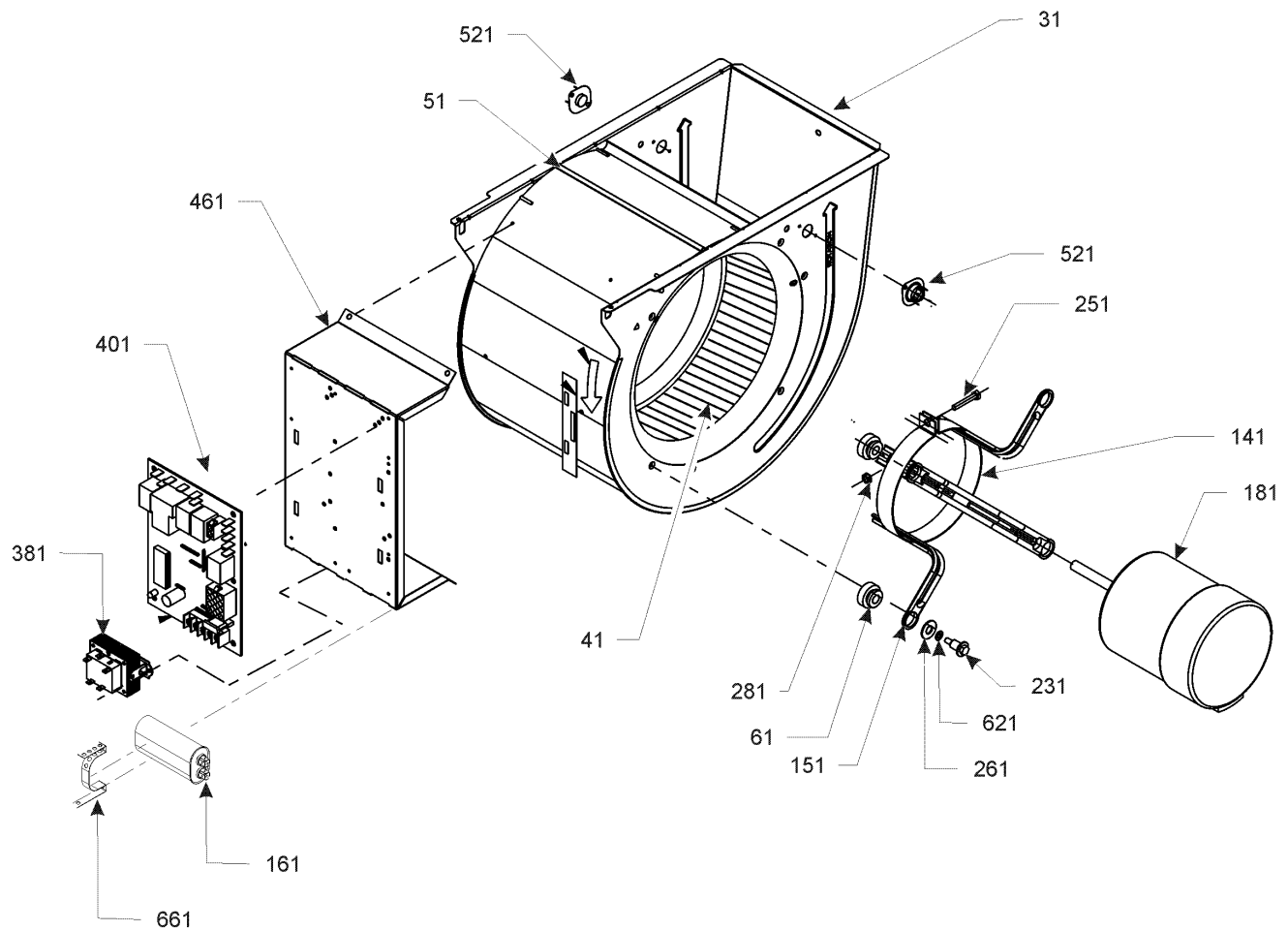
Image 2:

12	0270F03141	DRAIN PART BAG ASSY CF
22	0270F03139	BAG ASSY CF

Expanded Model Nomenclature

- | |
|---------------------|
| M1 - ACSS960402BNAA |
| M2 - ACSS960603BNAA |
| M3 - ACSS960804CNAA |
| M4 - ACSS961005CNAA |
| M5 - ACSS961205DNAA |

Blower Assembly



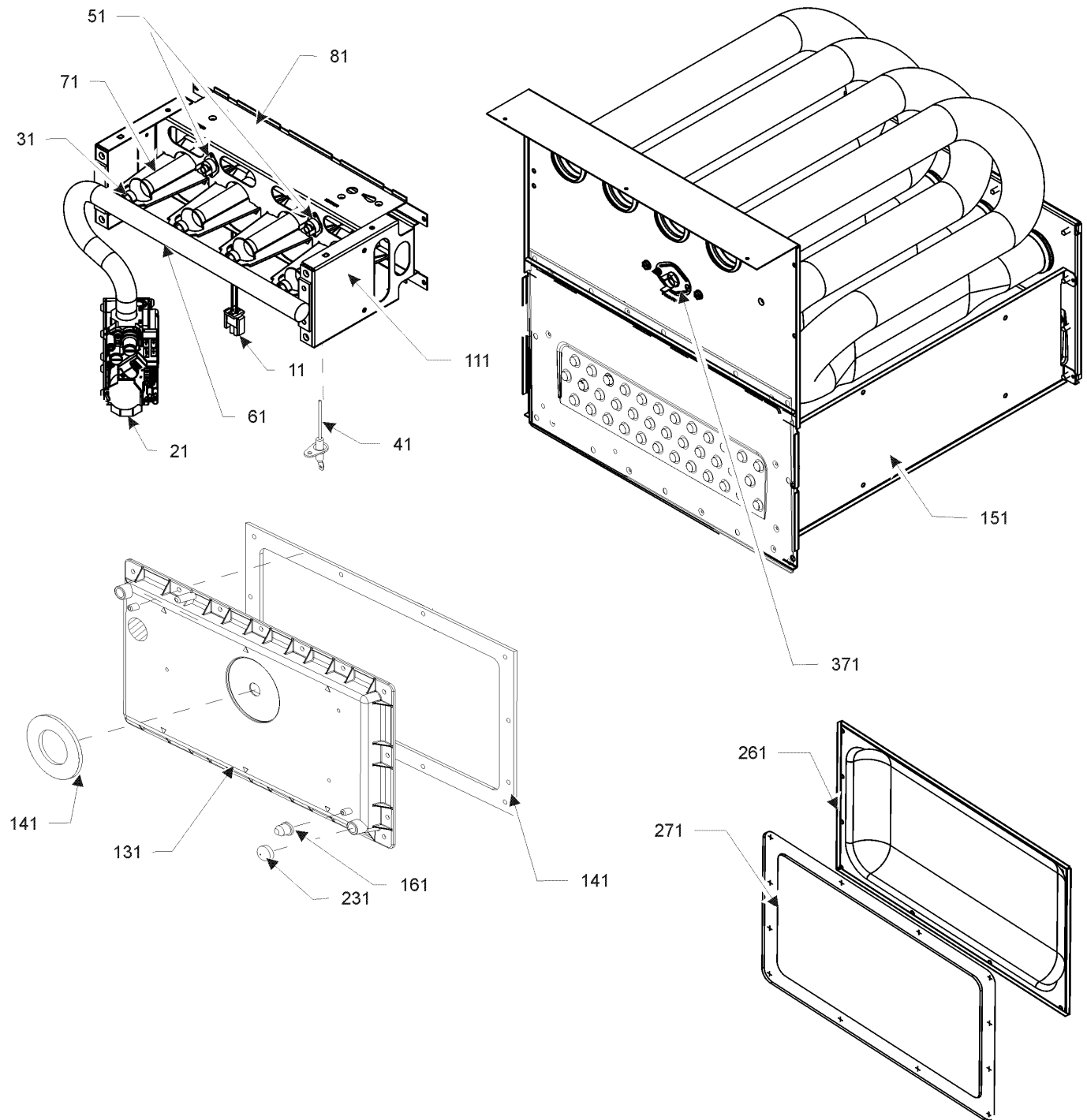
Blower Assembly

Ref. Part No: No:	Description:	Ref. Part No: No:	Description:
Image 1:			
31	0271F00181		BLOWER HSG ASSY (M1, M2)
31	0271F00182		BLOWER HSG ASSY (M3)
31	0271F00161		BLOWER SHELL & WHEEL ASSY (M4)
31	0271F00163		BLOWER SHELL & WHEEL ASSY (M5)
41	0150M00042		BLOWER WHEEL 10 X 10 (M3)
41	0150M00043		BLOWER WHEEL 10 X 8 (M1, M2)
51	764741F		BLOWER BLOCK-OFF 10 X 10 (M3)
51	764740		BLOWER BLOCK-OFF,10X8 (M1, M2)
61	A4002702		BLOWER MOTOR GROMMET (M4, M5)
141	10441601		MOTOR MOUNT BAND (M4, M5)
151	10441501		MOTOR MOUNT ARM (M4, M5)
161	CAP125000370LA		CAP, 12.5 MFD/370V/OVAL (M1, M2)
161	CAP200000370LA		CAP, 20 MFD/370V/OVAL (M3)
161	CAP150000370LA		CAPACITOR 15/370V (M4, M5)
181	0131F00038		MOTOR, 1/2 HP (M3)
181	0131F00027		MOTOR, 1/3HP, 4SP, 6PL (M1, M2)
181	0131F00031		MOTOR, 3/4 HP (M4, M5)
231	M0221461		TC SCREW (M4, M5)
231	M0250558		TC SCREW (M1, M2, M3)
251	M0267144		MACHINE SCREW (M4, M5)
261	M0274008		FLAT WASHER (M4, M5)
281	M0282015		KEPS NUT (M4, M5)
381	0130M00140		TRANSFORMER, 120V TO 24V,40VA
401	PCBBF135		PCB, IGNITION, HSI, INTEG
461	0121F00464		CONTROL MOUNTING PLATE
521	0130F00038		PRIMARY LIMIT - LT BLUE 120° (QTY 2)
621	B1392820		SLIT LOCK WASHER (M4, M5)
661	20520901		CAPACITOR STRAP
NS	B1392021		1" PLASTIC PLUG (QTY 4)
NS	0259F00024		HARNESS - BLOWER

Expanded Model Nomenclature

- | |
|---------------------|
| M1 - ACSS960402BNAA |
| M2 - ACSS960603BNAA |
| M3 - ACSS960804CNAA |
| M4 - ACSS961005CNAA |
| M5 - ACSS961205DNAA |

Heat Exchanger / Manifold / Gas Valve



Chassis

Ref. Part No: No:	Description:	Ref. Part No: No:	Description:
-------------------	--------------	-------------------	--------------

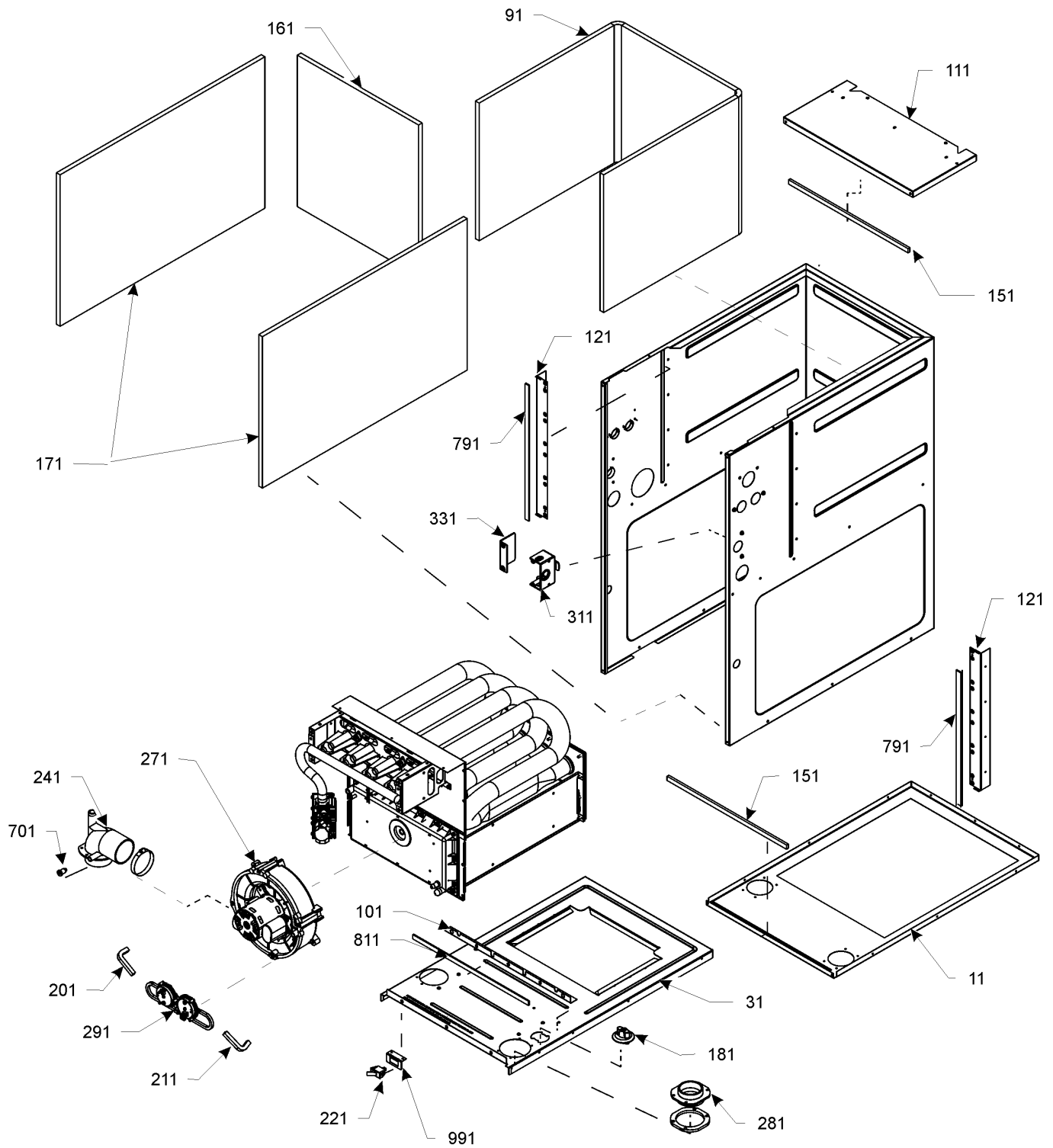
Image 1:

11	0121F00435DG	PAINTED BASE PAN-21" C (M3, M4)
11	0121F00443DG	PAINTED BASE PAN-24.5" CF (M5)
11	0121F00427DG	PAINTED BASEPAN,17.5" CF (M1, M2)
31	0121F00441	DECK, BLOWER, 24.5 CF (M5)
31	0121F00425	DECK-BLOWER, 17.5" CF (M1, M2)
31	0121F00433	DECK-BLOWER, 21" CF (M3, M4)
91	0160F00015	INSULATION, HT EXCHANGER 17.5" (M1, M2)
91	0160F00016	INSULATION, HT EXCHANGER 21" (M3, M4)
91	0160F00017	INSULATION, HT EXCHANGER 24.5" (M5)
101	0121F00314	ANGLE, DECK (M1, M2)
101	0121F00315	ANGLE, DECK (M3, M4)
101	0121F00316	ANGLE, DECK (M5)
111	0121F00426DG	TOP, PAINTED FURNACE 17.5" CF (M1, M2)
111	0121F00434DG	TOP, PAINTED FURNACE 21" CF (M3, M4)
111	0121F00442DG	TOP, PAINTED FURNACE 24.5 CF (M5)
121	0121F00313	SIDE ANGLE (QTY 2)
151	20179307	GASKET-FA (M5)
151	20179309	GASKET-FA (M1, M2)
151	20179310	GASKET-FA (M3, M4)
161	0160F00012	INSULATION-BACK 17.5" (M1, M2)
161	0160F00013	INSULATION-BACK 21" (M3, M4)
161	0160F00014	INSULATION-BACK 24.5" (M5)
171	0160F00018	INSULATION, SIDE (QTY 2)
181	0159F00044	HARNESS, WIRING
201	0164M00008	PRESSURE HOSE, SW
211	0164M00015	PRESSURE SWITCH HOSE (M1, M2)
221	10690402	INTERLOCK SWITCH
241	0164F00003	ELBOW-FLUE, 17.5" CFLOW (M1, M2)
241	0164F00004	ELBOW-FLUE, 21" CFLOW (M3, M4)
241	0164F00005	ELBOW-FLUE, 24.5" CFLOW (M5)
271	0171M00001	MOTOR-ID, BLOWER
281	0161F00037	COUPLING
291	0130F00476	PRESSURE SWITCH (-.1 / -.85) (M5)
291	0130F00484	PRESSURE SWITCH (-.08 / -1.49) (M1)
291	0130F00477	PRESSURE SWITCH (-.1 / -1.27) (M2, M3, M4)
311	0161F00042	JUNCTION BOX
331	0161F00043	JUNCTION BOX LID
701	M0326804	TUBE PLUG
791	0154F00015	GASKET (QTY 2)
811	0154F00014	GASKET (M1, M2)
811	0154F00016	GASKET (M3, M4, M5)
991	0121F00389	BRACKET, DOOR SWITCH

Expanded Model Nomenclature

- | |
|---------------------|
| M1 - ACSS960402BNAA |
| M2 - ACSS960603BNAA |
| M3 - ACSS960804CNAA |
| M4 - ACSS961005CNAA |
| M5 - ACSS961205DNAA |

Chassis



Heat Exchanger / Manifold / Gas Valve

Ref. Part No: No:	Description:	Ref. Part No: No:	Description:
Image 1:			
11	0130F00008		SINI IGNITOR
21	0151M00037		GAS VALVE
31	0163F00004		ORIFICE (QTY A/R)
41	0130F00010		FLAME SENSOR
51	0130F00123		MANUAL RESET LIMIT - ROS (M1, M2)
51	10123539		MANUAL RESET LIMIT - ROS (M4, M5)
51	10123534		MANUAL RESET LIMIT 220°F (M3)
61	0163F00007		MANIFOLD (M1)
61	0163F00008		MANIFOLD (M2)
61	0163F00009		MANIFOLD (M3)
61	0163F00010		MANIFOLD (M4)
61	0163F00011		MANIFOLD (M5)
71	0163F00017		BECKETT BURNER (QTY A/R)
81	0121F00456		BRACKET-BURNER 2 (M1)
81	0121F00455		BRACKET-BURNER 3 (M2)
81	0121F00454		BRACKET-BURNER 4 (M3)
81	0121F00453		BRACKET-BURNER 5 (M4)
81	0121F00451		BRACKET-BURNER 6 (M5)
111	0121F00469		ORIFICE BRACKET-BURNER 2 (M1)
111	0121F00468		ORIFICE BRACKET-BURNER 3 (M2)
111	0121F00467		ORIFICE BRACKET-BURNER 4 (M3)
111	0121F00466		ORIFICE BRACKET-BURNER 5 (M4)
111	0121F00465		ORIFICE BRACKET-BURNER 6 (M5)
131	0161F00030		COVER, FRONT (M3)
131	0161F00053		COVER, FRONT (M1)
131	0161F00054		COVER, FRONT (M2)
131	0161F00060		COVER, FRONT (M4)
131	0161F00063		COVER, FRONT (M5)
141	0154F00011		GASKET, FRONT (M1, M2)
141	0154F00012		GASKET, FRONT (M3, M4)
141	0154F00013		GASKET, FRONT (M5)
151	0257F00362		HEAT EXCHANGER ASSY (M2)
151	0257F00363		HEAT EXCHANGER ASSY (M3)
151	0257F00371		HEAT EXCHANGER ASSY (M4)
151	0257F00372		HEAT EXCHANGER ASSY (M5)
151	0257F00380		HEAT EXCHANGER ASSY (M1)
161	M0326804		TUBE PLUG
231	A1781105		CAP-VINYL .500
261	0121F00317		COVER, REAR (M1, M2)
261	0121F00318		COVER, REAR (M3, M4)
261	0121F00319		COVER, REAR (M5)
271	0154F00008		GASKET, REAR CVR (M1, M2)
271	0154F00009		GASKET, REAR CVR (M3, M4)
271	0154F00010		GASKET, REAR CVR (M5)
371	0130F00071		LIMIT SWITCH (M3)
371	20162903		PRIMARY LIMIT - BLUE (M4)
371	20162906		PRIMARY LIMIT - WHITE (M5)
371	20162901		PRIMARY LIMIT-RED (M1, M2)
NS	0121F00439		HEAT SHIELD - PRIMARY LIMIT
NS	0121F00355		SHIELD, COIL (QTY 2)

Expanded Model Nomenclature

M1 - ACSS960402BNAA
M2 - ACSS960603BNAA
M3 - ACSS960804CNAA
M4 - ACSS961005CNAA
M5 - ACSS961205DNAA