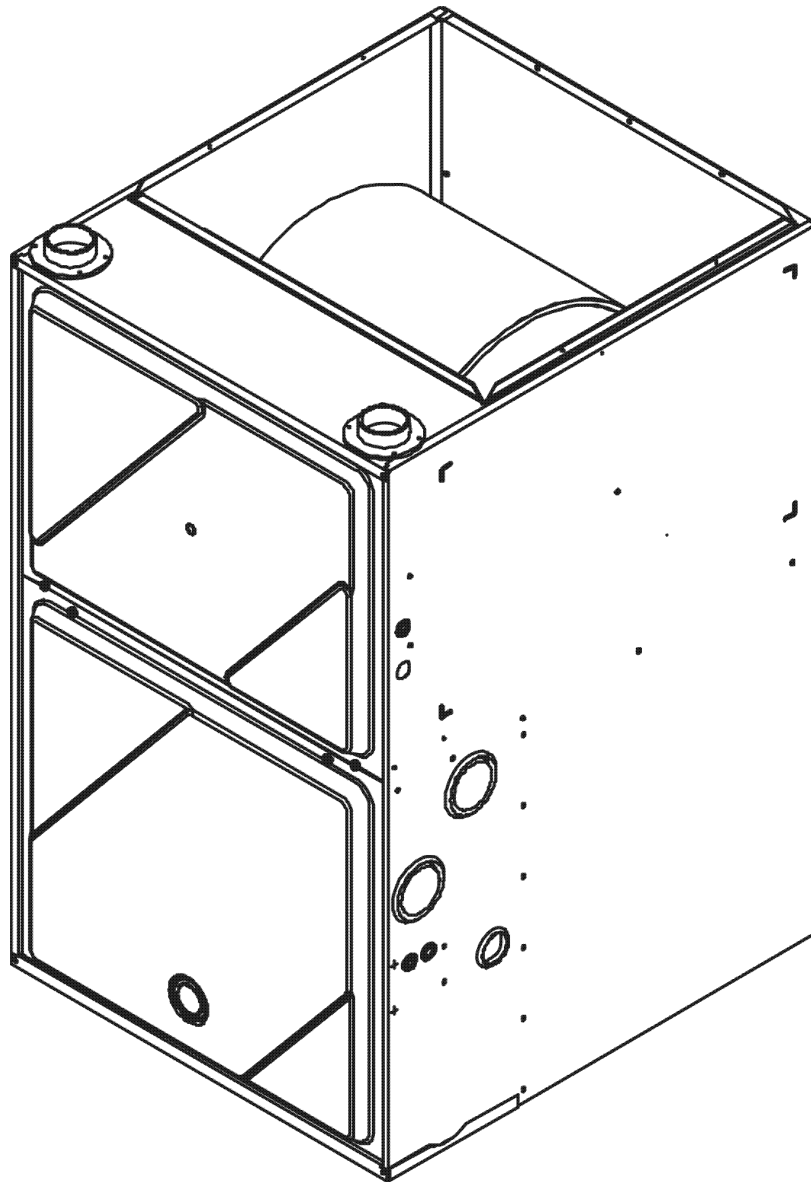


ACSS 92% PSC Counter Flow Furnace

ACSS920402BNAA
ACSS920603BNAA
ACSS920804CNAA
ACSS921005CNAA



Amana is a registered trademark of Maytag Corporation or its related companies and is used under license to Goodman Company, L.P., Houston, TX. All rights reserved.

This manual is to be used by qualified technicians only.

This manual replaces RP-A2006.

© 2009-2014 Goodman Company, L.P. ♦ 5151 San Felipe St., Suite 500 ♦ Houston, TX 77056

Important Information

Index

Functional Parts List	3
Illustration and Parts	4 - 11

Views shown are for parts illustrations only, not servicing procedures

Short 90% Furnace Project

Rev. A: Added Drain Part Bag Assy, Bag Assy, and Decorative Screw

Text Codes:

AR - As Required

NA - Not Available

NS - Not Shown

00000000 - See Note

QTY - Quantity Example (QTY 3) (If Quantity not shown, Quantity = 1)

M - Model Example (M1) (If M Code not shown, then part is used on all Models)

Expanded Model Nomenclature:

Example M1 - Model#1 M2 - Model#2 M3 - Model#3

Goodman Company, L.P. is not responsible for personal injury or property damage resulting from improper service. Review all service information before beginning repairs.

Warranty service must be performed by an authorized technician, using authorized factory parts. If service is required after the warranty expires, Goodman Company, L.P. also recommends contacting an authorized technician and using authorized factory parts.

Goodman Company, L.P. reserves the right to discontinue, or change at any time, specifications or designs without notice or without incurring obligations.

For assistance within the U.S.A. contact:

Consumer Affairs Department
Goodman Company, L.P.
7401 Security Way
Houston, Texas 77040
877-254-4729-Telephone
713-863-2382-Facsimile

For assistance outside the U.S.A. contact:

International Division
Goodman Company, L.P.
7401 Security Way
Houston, Texas 77040
713-861-2500-Telephone
713-863-2382-Facsimile

Functional Parts

Part

No: Description:

0163F00017	BECKETT BURNER (QTY 2)
0271F00181	BLOWER HSG ASSY (M1, M2)
0271F00182	BLOWER HSG ASSY (M3)
0271F00161	BLOWER SHELL & WHEEL ASSY (M4)
CAP125000370LA	CAPACITOR 12.5/370V (M1, M2)
CAP150000370LA	CAPACITOR 15/370V (M4)
CAP200000370LA	CAPACITOR 20/370V (M3)
0130F00010	FLAME SENSOR
0151M00037	GAS VALVE
0257F00336	HEAT EXCHANGER ASSY. (M1)
0257F00350	HEAT EXCHANGER ASSY. (M3)
0257F00353	HEAT EXCHANGER ASSY. (M4)
0257F00343	HEAT EXCHANGER ASSY. (M2)
0130F00008	IGNITOR-SINI 17 SEC
0130F00071	LIMIT SWITCH (M2)
0130F00123	LIMIT, RESET MAN (M2)
20162901	LIMIT-RED (M1)
10123539	LIMIT-RESET MAN-ORANGE (M4)
10123517	MANUAL RESET LIMIT (M1)
10123534	MANUAL RESET LIMIT 220°F (M3)
0131F00038	MOTOR, 1/2 HP (M3)
0131F00027	MOTOR, 1/3HP, 4SP, 6PL (M1, M2)
0131F00031	MOTOR, 3/4 HP (M4)
0171M00001	MOTOR-ID, BLOWER
PCBBF134	PCB, IGNITION, HSI, INTEG
0130F00038	PRIMARY LIMIT - LT BLUE 120° (QTY 2)
0130F00036	PRIMARY LIMIT - PINK (M3, M4)
0130F00480	SWITCH, PRESSURE (M3, M4)
0130F00477	SWITCH, PRESSURE (M1, M2)
0130M00140	TRANSFORMER,(120V TO 24V,40VA,
0150M00042	WHEEL, BLOWER (10 X 10) (M3)
0150M00043	WHEEL, BLOWER (10 X 8) (M1, M2)

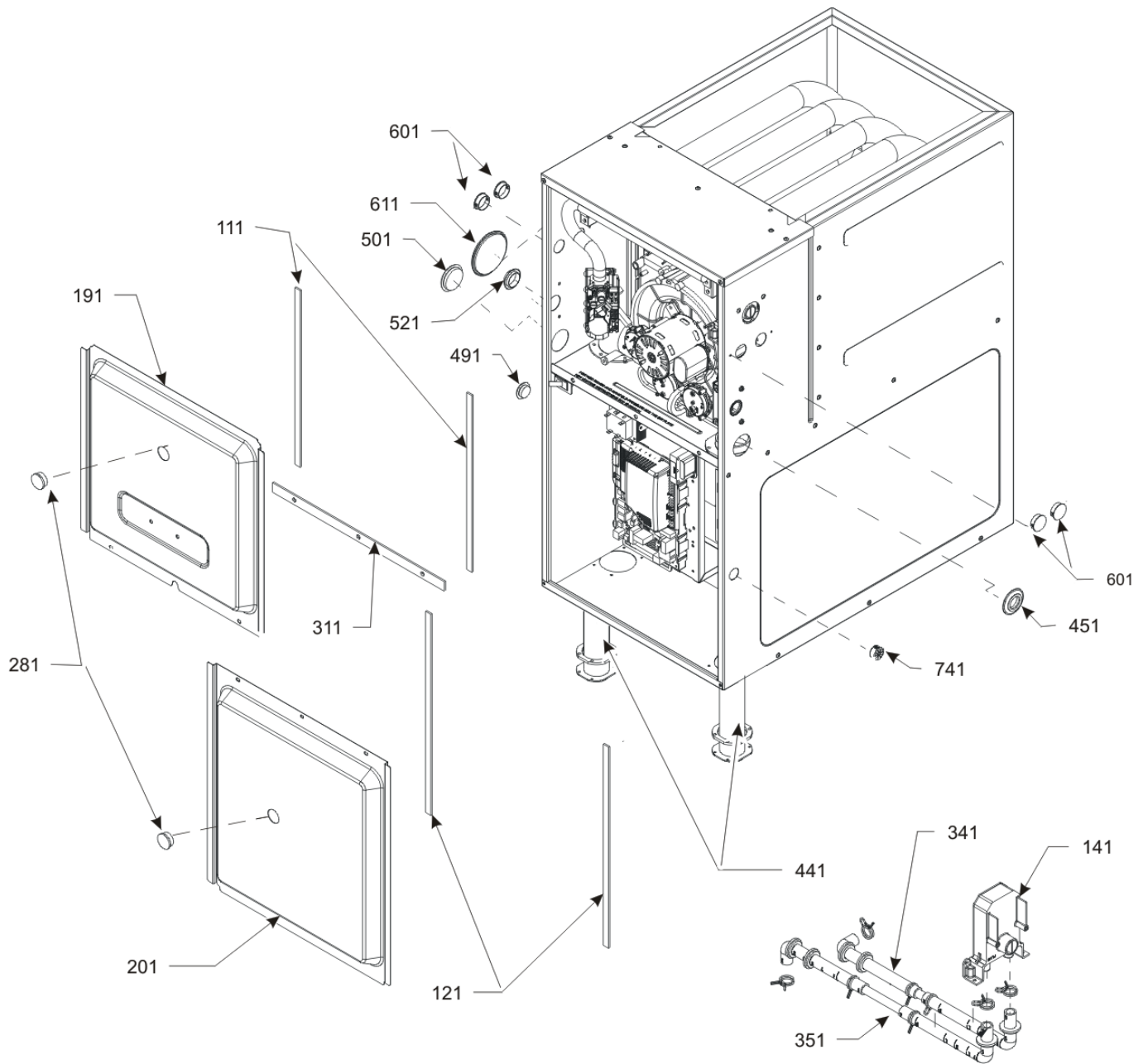
SPECIAL PARTS

0161M00003P AMANA NAMEPLATE

Expanded Model Nomenclature

M1 - ACSS920402BNAA
M2 - ACSS920603BNAA
M3 - ACSS920804CNAA
M4 - ACSS921005CNAA

Cabinet



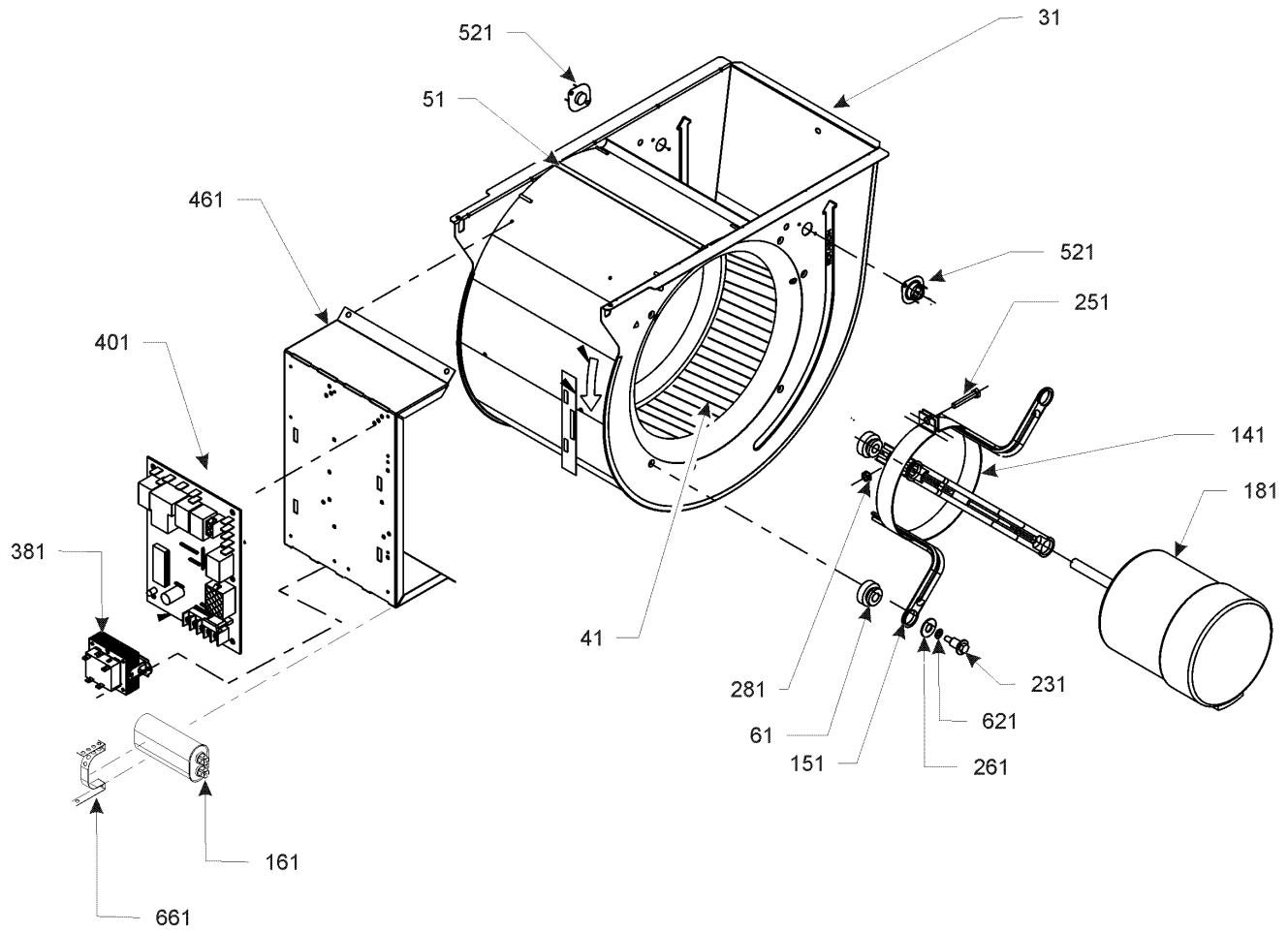
Cabinet

Ref. Part No:	No:	Description:	Ref. Part No:	No:	Description:
Image 1:					
111	0154F00024	GASKET (QTY 2)			
121	0154F00025	GASKET (QTY 2)			
141	0161F00046	DRAIN TRAP			
191	0121F00338LG	DOOR ACCESS 21" PNT (M3, M4)			
191	0121F00337LG	DOOR, ACCESS 17.5" PNT (M1, M2)			
201	0121F00340LG	DOOR, BLOWER 17.5" PNT (M1, M2)			
201	0121F00341LG	DOOR, BLOWER 21" PNT (M3, M4)			
281	B1392139	VIEW PORT BUSHING-BLOWER DOOR (QTY 2)			
311	0154F00020	GASKET, DECK (M1, M2)			
311	0154F00021	GASKET, DECK (M3, M4)			
341	0270F03125	CF DRAIN TUBE ASSY (M1, M2)			
341	0270F03515	CF DRAIN TUBE ASSY (M3, M4)			
351	0270F03126	CF DRAIN TUBE ASSY (M3, M4)			
351	0270F03514	CF DRAIN TUBE ASSY (M1, M2)			
441	0161F00064	PIPE, STRAIGHT CF (QTY 2)			
451	M0501301	PIPE GROMMET			
491	M0570808	BUTTON PLUG			
501	M0570806	BUTTON PLUG (QTY 2)			
521	0161M00027	PLUG, HOLE			
601	B1392021	PLASTIC PLUG, 1" (2713-BLK) (M1, M2, M3)			
611	0163M00049	HOSE CLAMP (QTY 2)			
741	B1392104	UNIVERSAL BUSHING UB 875			
NS	0161M00003P	AMANA NAMEPLATE			
NS	0270F03139	BAG ASSY CF			
NS	M0310345	BUTTON PLUG (QTY 2)			
NS	M0570807	BUTTON PLUG			
NS	0270F03141	DRAIN PART BAG ASSY CF			
NS	M0209730	SCREW-DECORATIVE (QTY 3)			

Expanded Model Nomenclature

M1 - ACSS920402BNAA
M2 - ACSS920603BNAA
M3 - ACSS920804CNAA
M4 - ACSS921005CNAA

Blower Assembly



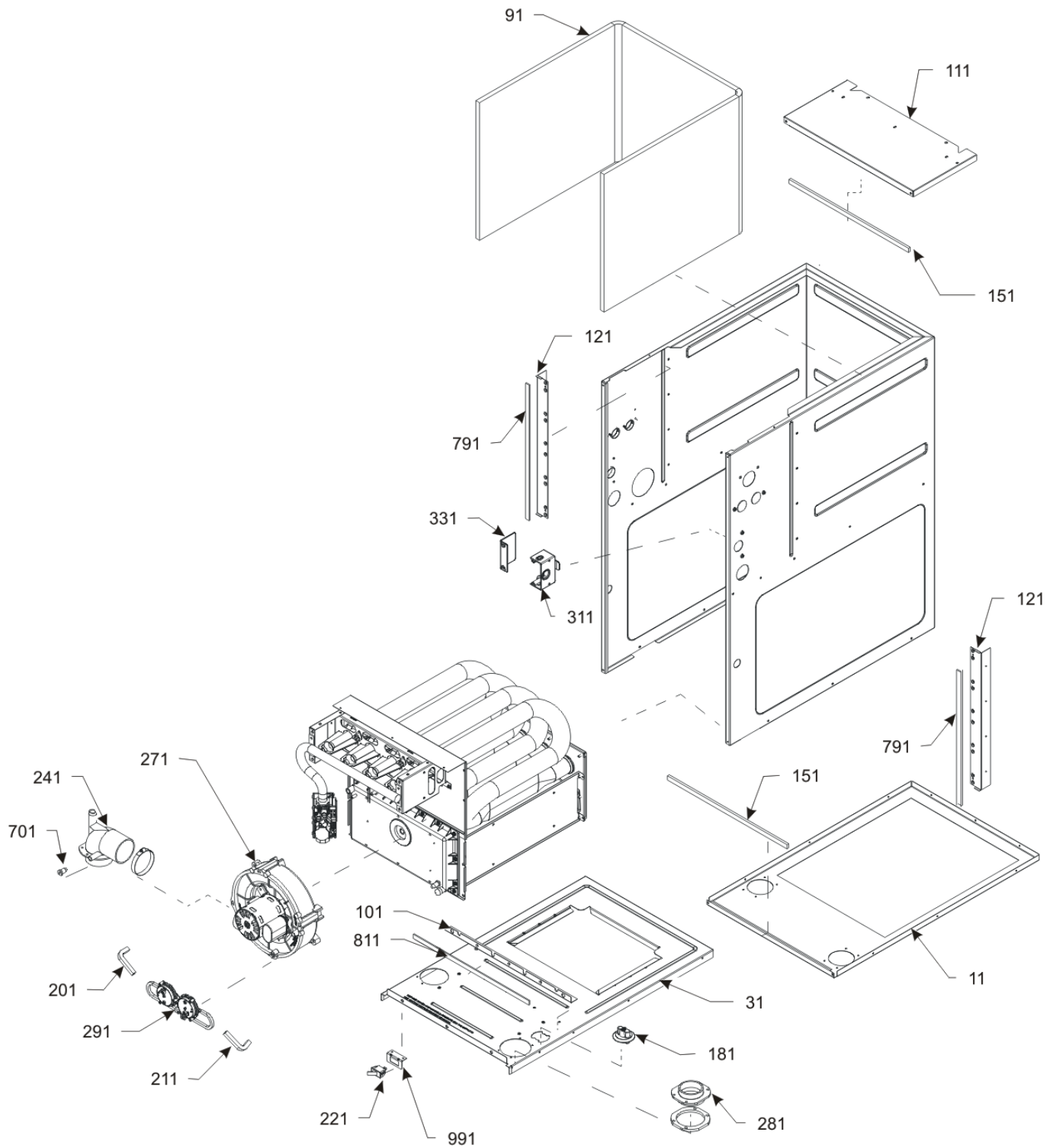
Blower Assembly

Ref. Part No: No:	Description:	Ref. Part No: No:	Description:
Image 1:			
31	0271F00181		BLOWER HSG ASSY (M1, M2)
31	0271F00182		BLOWER HSG ASSY (M3)
31	0271F00161		BLOWER SHELL & WHEEL ASSY (M4)
41	0150M00042		WHEEL, BLOWER (10 X 10) (M3)
41	0150M00043		WHEEL, BLOWER (10 X 8) (M1, M2)
51	764741F		BLOWER BLOCK-OFF 10 X 10 (M3)
51	764740		BLWR BLK-OFF,10X8 (M1, M2)
61	A4002702		BLOWER MOTOR GROMMET (M4)
141	10441601		MOTOR MOUNT BAND (M4)
151	10441501		MOTOR MOUNT ARM (M4)
161	CAP125000370LA		CAPACITOR 12.5/370V (M1, M2)
161	CAP150000370LA		CAPACITOR 15/370V (M4)
161	CAP200000370LA		CAPACITOR 20/370V (M3)
181	0131F00038		MOTOR, 1/2 HP (M3)
181	0131F00027		MOTOR, 1/3HP, 4SP, 6PL (M1, M2)
181	0131F00031		MOTOR, 3/4 HP (M4)
231	M0221461		TC SCREW (M4)
231	M0250558		TC SCREW (M1, M2, M3)
281	M0282015		KEPS NUT (M4)
381	0130M00140		TRANSFORMER,(120V TO 24V,40VA,
401	PCBBF134		PCB, IGNITION, HSI, INTEG
461	0121F00464		MOUNTING PLATE-CONTROLS
521	0130F00038		PRIMARY LIMIT - LT BLUE 120° (QTY 2)
621	B1392820		WASHER, SPLIT LOCK 1/4 BZ (M4)
661	20520901		CAPACITOR STRAP
NS	B1392021		PLASTIC PLUG, 1" (2713-BLK) (QTY 4)
NS	0259F00024		WIRE HARNESS-BLOWER

Expanded Model Nomenclature

- | |
|---------------------|
| M1 - ACSS920402BNAA |
| M2 - ACSS920603BNAA |
| M3 - ACSS920804CNAA |
| M4 - ACSS921005CNAA |

Chassis



Chassis

Ref. Part No: No:	Description:	Ref. Part No: No:	Description:
Image 1:			
11	0121F00435DG		PAINTED BASE PAN-21" C (M3, M4)
11	0121F00427DG		PAINTED BASEPAN-17.5" CF (M1, M2)
31	0121F00425		DECK-BLOWER, 17.5" CF (M1, M2)
31	0121F00433		DECK-BLOWER, 21" CF (M3, M4)
91	0160F00015		INSULATION, HT EXCHANGER 17.5" (M1, M2)
91	0160F00016		INSULATION, HT EXCHANGER 21" (M3, M4)
101	0121F00314		ANGLE, DECK (M1, M2)
101	0121F00315		ANGLE, DECK (M3, M4)
111	0121F00426DG		TOP, PAINTED FURNACE 17.5" CF (M1, M2)
111	0121F00434DG		TOP, PAINTED FURNACE 21" CF
121	0121F00313		ANGLE, SIDE (QTY 2)
181	0159F00044		HARNESS-WIRING
201	0164M00008		HOSE-PRESSURE SW
211	0164M00031		14" PRESSURE SWITCH HOSES (M3, M4)
211	0164M00015		PRESSURE SWITCH HOSE (M1, M2)
221	10690402		INTERLOCK SWITCH
241	0164F00003		ELBOW-FLUE, 17.5" CFLOW (M1, M2)
241	0164F00004		ELBOW-FLUE, 21" CFLOW (M3, M4)
271	0171M00001		MOTOR-ID, BLOWER
281	0161F00037		COUPLING
291	0130F00477		SWITCH, PRESSURE (M1, M2)
291	0130F00480		SWITCH, PRESSURE (M3, M4)
311	0161F00042		JUNCTION BOX PLA
331	0161F00043		JUNCTION BOX LID
701	M0326804		TUBE PLUG
791	0154F00015		GASKET (QTY 2)
811	0154F00014		GASKET (M1, M2)
811	0154F00016		GASKET (M3, M4)
991	0121F00389		BRACKET, DOOR SWITCH

Expanded Model Nomenclature

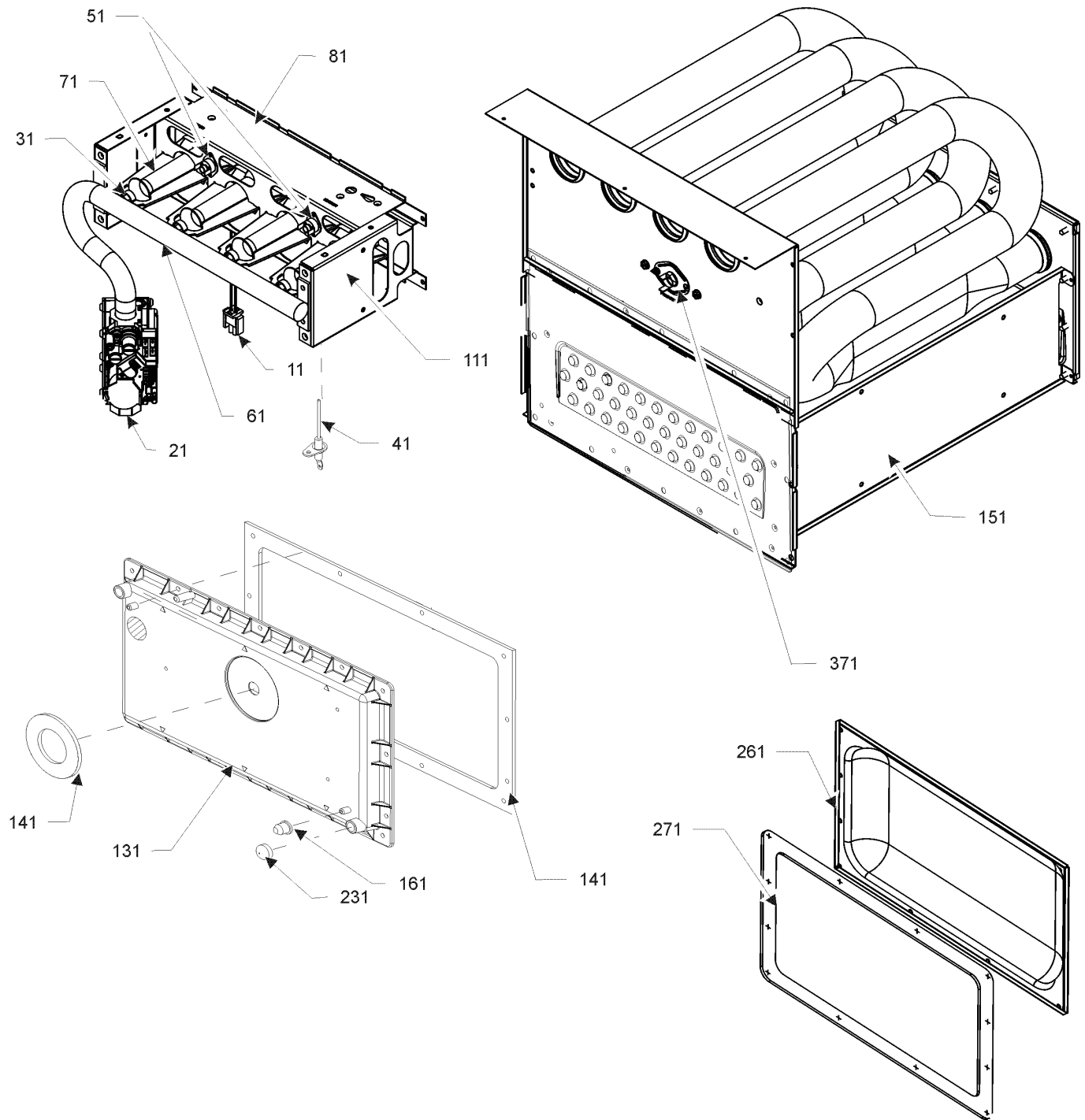
M1 - ACSS920402BNAA

M2 - ACSS920603BNAA

M3 - ACSS920804CNAA

M4 - ACSS921005CNAA

Heat Exchanger / Manifold / Gas Valve



Heat Exchanger / Manifold / Gas Valve

Ref. Part No: No:	Description:	Ref. Part No: No:	Description:
Image 1:			
11	0130F00008		IGNITOR-SINI 17 SEC
21	0151M00037		GAS VALVE
31	0163F00004		ORIFICE (QTY 2)
41	0130F00010		FLAME SENSOR
51	0130F00123		LIMIT, RESET MAN (M2)
51	10123539		LIMIT-RESET MAN-ORANGE (M4)
51	10123517		MANUAL RESET LIMIT (M1)
51	10123534		MANUAL RESET LIMIT 220°F (M3)
61	0163F00007		MANIFOLD (M1)
61	0163F00008		MANIFOLD (M2)
61	0163F00009		MANIFOLD (M3)
61	0163F00010		MANIFOLD (M4)
71	0163F00017		BECKETT BURNER (QTY 2)
81	0121F00456		BRACKET-BURNER 2 (M1)
81	0121F00455		BRACKET-BURNER 3 (M2)
81	0121F00454		BRACKET-BURNER 4 (M3)
81	0121F00453		BRACKET-BURNER 5 (M4)
111	0121F00469		ORIFICE BRACKET-BURNER 2 (M1)
111	0121F00468		ORIFICE BRACKET-BURNER 3 (M2)
111	0121F00467		ORIFICE BRACKET-BURNER 4 (M3)
111	0121F00466		ORIFICE BRACKET-BURNER 5 (M4)
131	0161F00017		COVER, FRONT (M4)
131	0161F00027		COVER, FRONT (M3)
131	0161F00031		COVER, FRONT (M2)
131	0161F00054		COVER, FRONT (M1)
141	0154F00011		GASKET, FRONT (M1, M2)
141	0154F00012		GASKET, FRONT (M3, M4)
151	0257F00336		HEAT EXCHANGER ASSY. (M1)
151	0257F00343		HEAT EXCHANGER ASSY. (M2)
151	0257F00350		HEAT EXCHANGER ASSY. (M3)
151	0257F00353		HEAT EXCHANGER ASSY. (M4)
161	M0326804		PLUG-TUBE
231	A1781105		CAP-VINYL .500
261	0121F00317		COVER, REAR (M1, M2)
261	0121F00318		COVER, REAR (M3)
261	0121F00319		COVER, REAR (M4)
271	0154F00008		GASKET, REAR CVR (M1, M2)
271	0154F00009		GASKET, REAR CVR (M3)
271	0154F00010		GASKET, REAR CVR (M4)
371	0130F00071		LIMIT SWITCH (M2)
371	20162901		LIMIT-RED (M1)
371	0130F00036		PRIMARY LIMIT - PINK (M3, M4)
NS	0121F00439		HEAT SHIELD-PRIMARY LIMIT
NS	0121F00355		SHIELD, COIL (QTY 2)

Expanded Model Nomenclature

M1 - ACSS920402BNAA
M2 - ACSS920603BNAA
M3 - ACSS920804CNAA
M4 - ACSS921005CNAA