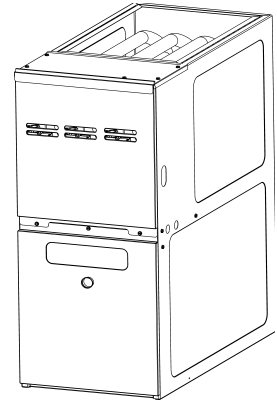


ACES 80% High Efficient Furnace

ACES800403ANAA
ACES800403AXAA
ACES800603ANAA
ACES800603AXAA
ACES800804BXAA
ACES800805CXAA
ACES801005CXAA



Amana® is a registered trademark of Maytag Corporation or its related companies and is used under license. All rights reserved.

This manual is to be used by qualified technicians only.

Important Information

Index

Functional Parts List	3
Illustration and Parts	4 - 9

Views shown are for parts illustrations only, not servicing procedures

Text Codes:

AR - As Required

NA - Not Available

NS - Not Shown

00000000 - See Note

QTY - Quantity Example (QTY 3) (If Quantity not shown, Quantity = 1)

M - Model Example (M1) (If M Code not shown, then part is used on all Models)

Expanded Model Nomenclature:

Example M1 - Model#1 M2 - Model#2 M3 - Model#3

Goodman Company, L.P. is not responsible for personal injury or property damage resulting from improper service. Review all service information before beginning repairs.

Warranty service must be performed by an authorized technician, using authorized factory parts. If service is required after the warranty expires, Goodman Company, L.P. also recommends contacting an authorized technician and using authorized factory parts.

Goodman Company, L.P. reserves the right to discontinue, or change at any time, specifications or designs without notice or without incurring obligations.

For assistance within the U.S.A. contact:

Homeowner Support
Goodman Company, L.P.
19001 Kermier Road
Waller, Texas 77484
877-254-4729-Telephone
713-863-2382-Facsimile

For assistance outside the U.S.A. contact:

International Division
Goodman Company, L.P.
19001 Kermier Road
Waller, Texas 77484
713-861-2500-Telephone
713-863-2382-Facsimile

Functional Parts

Part

No: **Description:**

PCBBF145	CIRCUIT BOARD
0130F00010	FLAME SENSOR
0151M00037	GAS VALVE
10690402	INTERLOCK SWITCH
0130F00038	LIMIT, PRIMARY 120 LT BLUE
10123529	MANUAL RESET R.O.S. LIMIT
0131F00116	MOTOR, PROGRAM-X13 (M3, M4)
0131F00117	MOTOR, PROGRAM-X13 (M5)
0131F00118	MOTOR, PROGRAM-X13 (M6)
0131F00119	MOTOR, PROGRAM-X13 (M7)
0131F00115	MOTOR, PROGRAM-X13 (M1, M2)
0131M00002P	MOTOR, VENT 80+
0130F00036	PRIMARY LIMIT - PINK 180° (M1, M2, M3, M4, M5)
0130F00008	SINI IGNITOR
0130F00507	SWITCH, PRESSURE (M7)
0130F00504	SWITCH, PRESSURE (M1, M2, M3, M4, M5, M6)
0130M00139	TRANSFORMER, 40VA,120VTO24V

SPECIAL PARTS

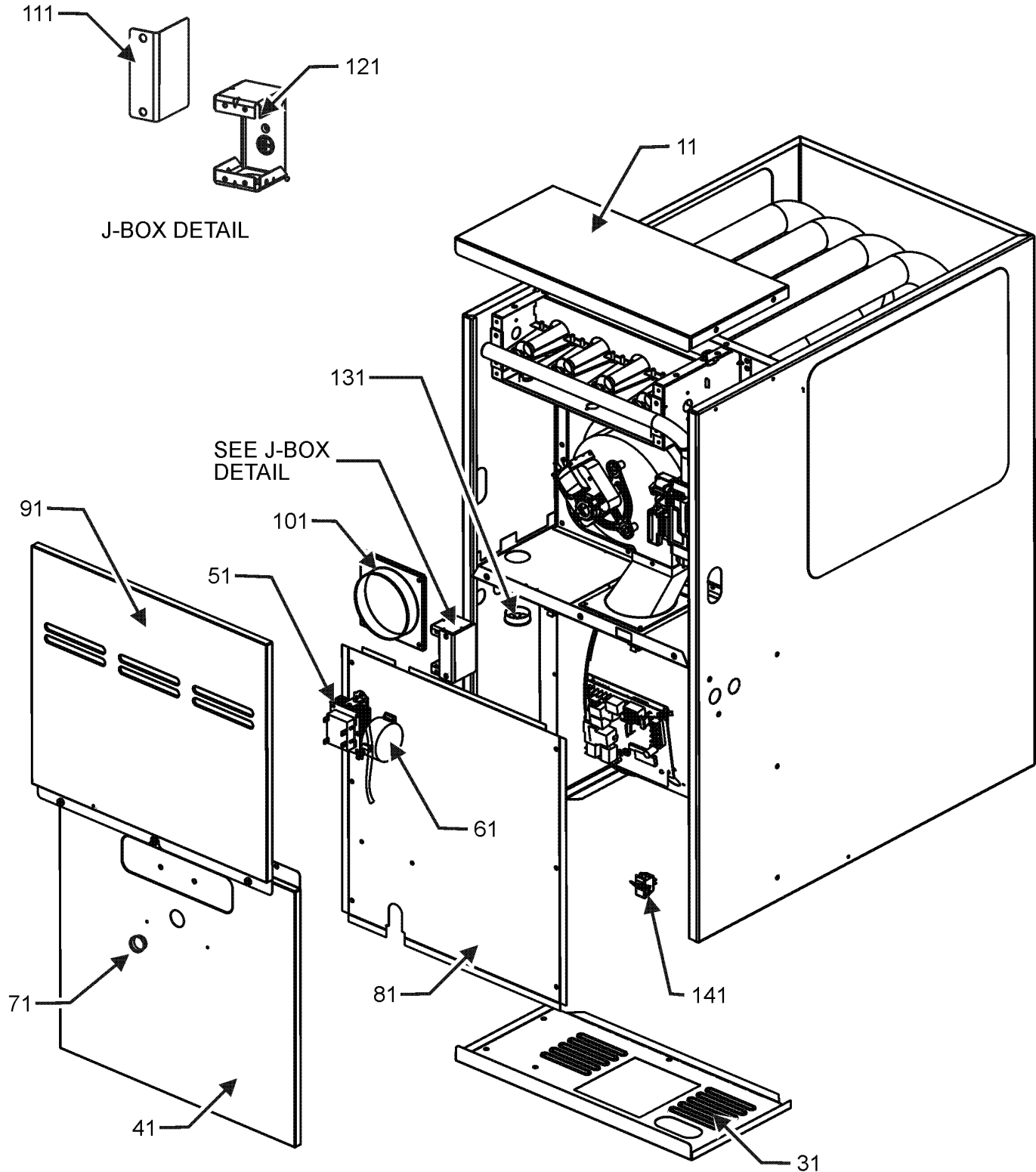
0161F00006	NAMEPLATE, AMANA
------------	------------------

Expanded Model Nomenclature

M1 - ACES800403ANAA
M2 - ACES800403AXAA
M3 - ACES800603ANAA
M4 - ACES800603AXAA
M5 - ACES800804BXAA
M6 - ACES800805CXAA
M7 - ACES801005CXAA

Cabinet Assembly

CABINET ASSEMBLY



Cabinet Assembly

Ref. Part No: No:	Description:	Ref. Part No: No:	Description:
-------------------	--------------	-------------------	--------------

Image 1:

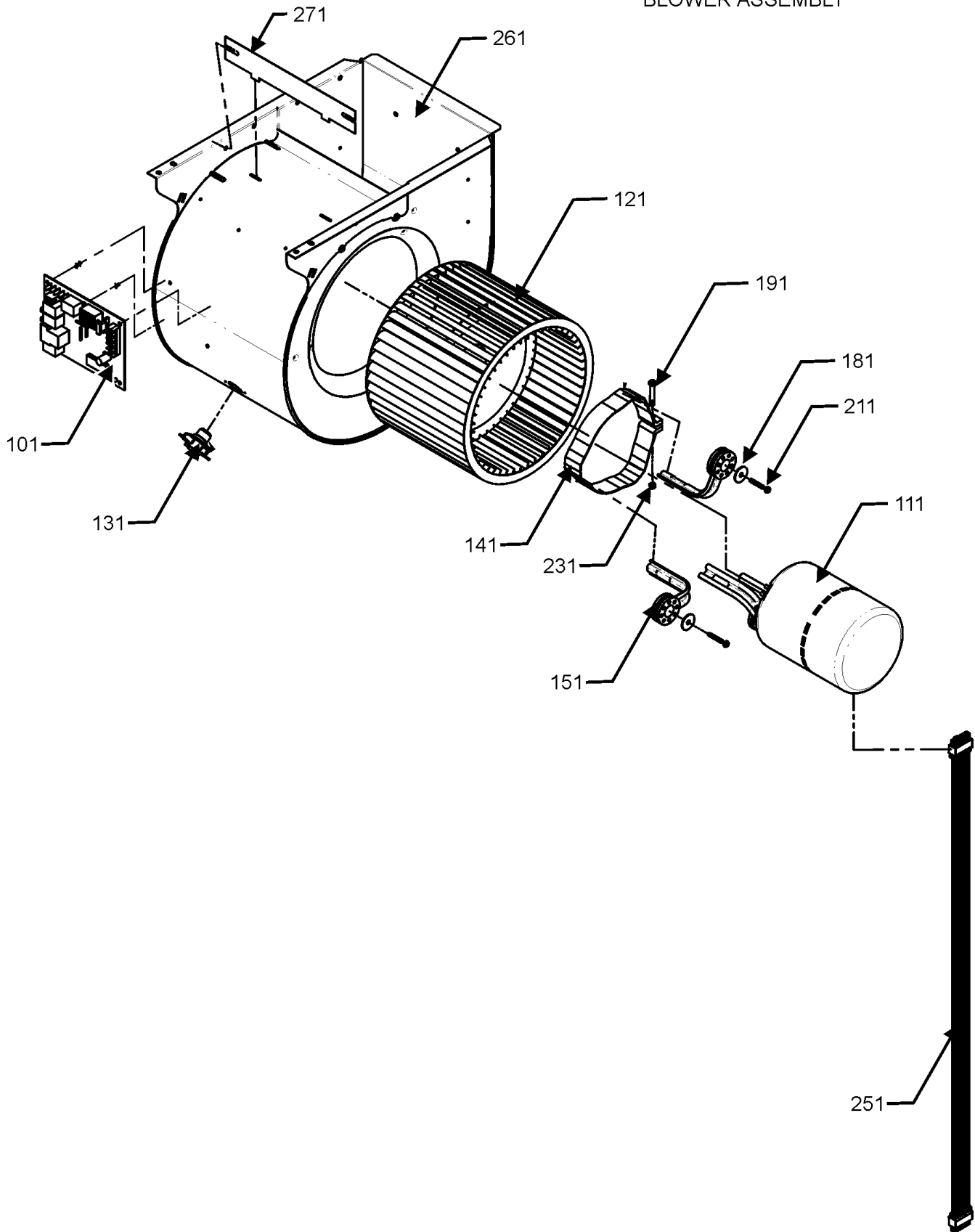
11	0121F00183DG	PAINTED 14" FURNACE BOTTOM (M1, M2, M3, M4)
11	0121F00190DG	PAINTED 17.5" FURNACE BOTTOM (M5)
11	0121F00191DG	PAINTED 21" FURNACE BOTTOM (M6, M7)
31	0121F00141DG	TOP, FURNACE 14"-PAINTED (M1, M2, M3, M4)
31	0121F00142DG	TOP, FURNACE 17.5"-PAINTED (M5)
31	0121F00143DG	TOP, FURNACE 21"-PAINTED (M6, M7)
41	0121F00122LG	DOOR, BLOWER, 14"-PAINTED (M1, M2, M3, M4)
41	0121F00123LG	DOOR, BLOWER, 17.5" PAINTED (M5)
41	0121F00124LG	DOOR, BLOWER, 21"-PAINTED (M6, M7)
51	0130M00139	TRANSFORMER, 40VA,120VTO24V
61	0130F00504	SWITCH, PRESSURE (M1, M2, M3, M4, M5, M6)
61	0130F00507	SWITCH, PRESSURE (M7)
71	B1392139	VIEW PORT BUSHING-BLOWER DOOR
81	0121F00185	DOOR, INNER 14" (M1, M2, M3, M4)
81	0121F00192	DOOR, INNER 17.5" (M5)
81	0121F00193	DOOR, INNER 21" (M6, M7)
91	0121F00118LG	DOOR CTRL AC CESS, 14"-PAINTED (M1, M2, M3, M4)
91	0121F00120LG	DOOR CTRL AC CESS, 21"-PAINTED (M6, M7)
91	0121F00119LG	DOOR CTRL AC CESS,17.5"-PAINTED (M5)
101	4023500	CHIMNEY TRANSITION TOP
111	4015502	J-BOX COVER
121	4014502	J-BOX
131	0163F00001	UNIVERSAL BUSHING WITH SLICE
141	10690402	INTERLOCK SWITCH
NS	0161F00006	NAMEPLATE, AMANA

Expanded Model Nomenclature

- | |
|---------------------|
| M1 - ACES800403ANAA |
| M2 - ACES800403AXAA |
| M3 - ACES800603ANAA |
| M4 - ACES800603AXAA |
| M5 - ACES800804BXAA |
| M6 - ACES800805CXAA |
| M7 - ACES801005CXAA |

Blower and Control Panel Assembly

BLOWER ASSEMBLY



Blower and Control Panel Assembly

Ref. Part No: No:	Description:	Ref. Part No: No:	Description:
-------------------	--------------	-------------------	--------------

Image 1:

101	PCBBF145	CIRCUIT BOARD
121	B1368047	BLOWER WHEEL (10 X 10) (M6, M7)
121	B1368034	BLOWER WHEEL (10 X 6) (M1, M2, M3, M4)
121	0150M00043	WHEEL, BLOWER (10 X 8) (M5)
131	0130F00038	LIMIT, PRIMARY 120 LT BLUE
141	0121M00039	MOUNT BAND, MOTOR (HEAVY DUTY)
151	B1376863	MOTOR MOUNT ARM (HEAVY DUTY) (QTY 3)
181	B1392918	WASHER, FLAT 1/4 ID X 1 OD (QTY 3)
191	0163M00320	HEX HEAD ALL THREAD TAP BOLT
211	M0250565	SCREW-TC 1.25" (QTY 3)
211	M0250565	SCREW-TC 1.25" (QTY 3)
231	B1393800	LOCKNUT, NYLON INSERT 1/4 20
251	0159F00076	WIRING HARNESS
261	2539307	BLWR SHL ASM 10X10 10X10 (M6, M7)
261	2539305	BLWR SHL ASM 10X6 10X6 (M1, M2, M3, M4)
261	2539306	BLWR SHL ASM 10X8 10X8 (M5)
271	764741	BLWR BLK-OFF,10X10 (M6, M7)
271	764739	BLWR BLK-OFF,10X6 (M1, M2, M3, M4)
271	764740	BLWR BLK-OFF,10X8 (M5)
NS	20477501	GROMMET-HORSESHOE
111	0131F00115	MOTOR, PROGRAM-X13 (M1, M2)
111	0131F00116	MOTOR, PROGRAM-X13 (M3, M4)
111	0131F00117	MOTOR, PROGRAM-X13 (M5)
111	0131F00118	MOTOR, PROGRAM-X13 (M6)
111	0131F00119	MOTOR, PROGRAM-X13 (M7)

Expanded Model Nomenclature

M1 - ACES800403ANAA
M2 - ACES800403AXAA
M3 - ACES800603ANAA
M4 - ACES800603AXAA
M5 - ACES800804BXAA
M6 - ACES800805CXAA
M7 - ACES801005CXAA

Heat Exchange Assembly

Ref. Part No: No:	Description:	Ref. Part No: No:	Description:
-------------------	--------------	-------------------	--------------

Image 1:

11	0270F03529	HEAT EXCHANGER ASSY (M1, M2)
11	0270F03530	HEAT EXCHANGER ASSY (M3, M4)
11	0270F03532	HEAT EXCHANGER ASSY (M5)
11	0270F03533	HEAT EXCHANGER ASSY (M6)
11	0270F03534	HEAT EXCHANGER ASSY (M7)
21	0121F00327	14" COLLECTOR BOX 1.125" DIA (M1, M2)
21	0121F00364	14" FLUE COLLECTOR BOX 1.5"DIA (M3, M4)
21	0121F00365	21" COLLECTOR BOX 1.437" DIA. (M6)
21	0121F00334	21" COLLECTOR BOX 1.625" DIA (M7)
21	0121F00128	COLLECTOR BOX 17.5" 1.75 DIA (M5)
31	0128F00006	CHIMNEY TRANSITION BOTTOM
41	0131M00002P	MOTOR, VENT 80+
51	0151M00037	GAS VALVE
61	0120F00006	MANIFOLD (M1, M2)
61	0120F00007	MANIFOLD (M3, M4)
61	0120F00008	MANIFOLD (M5, M6)
61	0120F00009	MANIFOLD (M7)
71	10716005	ORIFICE (QTY 2)
81	B4022700	INSHOT BURNER ASM 3" (QTY 2)
91	0121F00167	BURNER RACK, 2 CELL (M1, M2)
91	0121F00168	BURNER RACK, 3 CELL (M3, M4)
91	0121F00169	BURNER RACK, 4 CELL (M5, M6)
91	0121F00170	BURNER RACK, 5 CELL (M7)
101	0121F00162	TOP, BURNER BOX 2 CELL (M1, M2)
101	0121F00163	TOP, BURNER BOX 3 CELL (M3, M4)
101	0121F00164	TOP, BURNER BOX 4 CELL (M5, M6)
101	0121F00165	TOP, BURNER BOX 5 CELL (M7)
111	10123529	MANUAL RESET R.O.S. LIMIT
121	0121F00146	BURNER BOX SIDE (QTY 2)
131	0130F00008	SINI IGNITOR
141	0130F00010	FLAME SENSOR
151	0130F00036	PRIMARY LIMIT - PINK 180° (M1, M2, M3, M4, M5)
161	4028000	ORIFICE PLATE, 2CELL (M1, M2)
161	4028001	ORIFICE PLATE, 3CELL (M3, M4)
161	4028002	ORIFICE PLATE, 4 CELL (M5, M6)
161	4028003	ORIFICE PLATE, 5CELL (M7)
171	0154F00003	GASKET-14 INCH (M1, M2, M3, M4)
171	0154F00004	GASKET-17.5 INCH (M5)
171	0154F00005	GASKET-21 INCH (M6, M7)
201	DY6.186.070	VENT MOTOR CAPACITOR
311	0154F00003	GASKET-14 INCH (M1, M2, M3, M4)
311	0154F00004	GASKET-17.5 INCH (M5)
311	0154F00005	GASKET-21 INCH (M6, M7)
NS	0259F00057	ASSY, WIRE HARNESS, 12-PIN
NS	0259F00059	KIT, WIRE DF
NS	0159F00059	WIRE HARNESS ASSY, IGNITOR

Expanded Model Nomenclature

- | |
|---------------------|
| M1 - ACES800403ANAA |
| M2 - ACES800403AXAA |
| M3 - ACES800603ANAA |
| M4 - ACES800603AXAA |
| M5 - ACES800804BXAA |
| M6 - ACES800805CXAA |
| M7 - ACES801005CXAA |