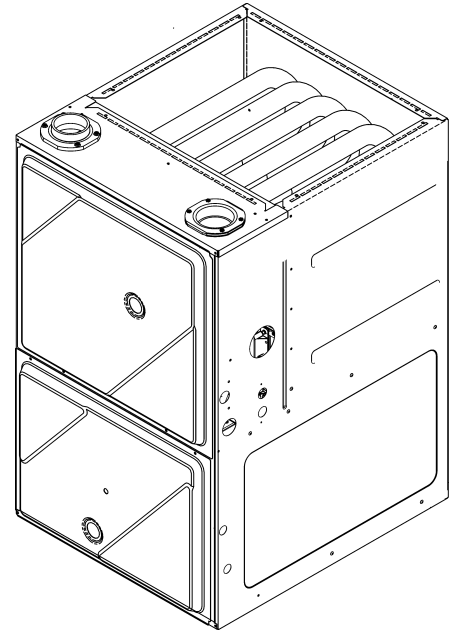


ACEC 96% EEM Counter Flow Furnace

ACEC960403BNAA
ACEC960403BNAB
ACEC960603BNAA
ACEC960603BNAB
ACEC960803BNAA
ACEC960803BNAB
ACEC961005CNAA
ACEC961005CNAB



Amana® is a registered trademark of Maytag Corporation or its related companies and is used under license. All rights reserved.

This manual is to be used by qualified technicians only.

This manual replaces RP-A2311

© 2017 , 2020 Goodman Company, L.P. ♦ 5151 San Felipe St, Suite 500 ♦ Houston, TX 77056

Important Information

Index

Functional Parts List	3
Illustration and Parts	4 - 11

Views shown are for parts illustrations only, not servicing procedures

Text Codes:

AR - As Required

NA - Not Available

NS - Not Shown

00000000 - See Note

QTY - Quantity Example (QTY 3) (If Quantity not shown, Quantity = 1)

M - Model Example (M1) (If M Code not shown, then part is used on all Models)

Expanded Model Nomenclature:

Example M1 - Model#1 M2 - Model#2 M3 - Model#3

Goodman Company, L.P. is not responsible for personal injury or property damage resulting from improper service. Review all service information before beginning repairs.

Warranty service must be performed by an authorized technician, using authorized factory parts. If service is required after the warranty expires, Goodman Company, L.P. also recommends contacting an authorized technician and using authorized factory parts.

Goodman Company, L.P. reserves the right to discontinue, or change at any time, specifications or designs without notice or without incurring obligations.

For assistance within the U.S.A. contact:

Homeowner Support
Goodman Company, L.P.
19001 Kermier Road
Waller, Texas 77484
877-254-4729-Telephone
713-863-2382-Facsimile

For assistance outside the U.S.A. contact:

International Division
Goodman Company, L.P.
19001 Kermier Road
Waller, Texas 77484
713-861-2500-Telephone
713-863-2382-Facsimile

Functional Parts

Part

No: Description:

20162904	*PRIMARY LIMIT-TEMPERATURE CONTROL (M5, M6)
0130F00038	AUX LIMIT - LT BLUE 120° (QTY 2)
0163F00017	BECKETT BURNER (QTY 2)
0271F00181	BLOWER HSG ASSY (M1, M2)
0271F00159	BLOWER SHELL & WHEEL ASSY (M3, M4, M5, M6)
0271F00161	BLOWER SHELL & WHEEL ASSY (M7, M8)
764740	BLWR BLK-OFF,10X8 (M1, M2)
0130F00010	FLAME SENSOR
0151M00027	GAS VALVE
0257F00428	HEAT EXCHANGER ASSY (M7, M8)
0257F00422	HEAT EXCHANGER ASSY (M1, M2)
0257F00423	HEAT EXCHANGER ASSY (M3, M4)
0257F00424	HEAT EXCHANGER ASSY (M5, M6)
0130F00008	IGNITOR-SINI 17 SEC
10123533	MANUAL RESET R.O.S. LIMIT (M1, M2, M5, M6)
0130F00123	MANUAL RESET R.O.S. LIMIT (M7, M8)
10123538	MANUAL RESET R.O.S. LIMIT (M3, M4)
0131F00173	MOTOR PROGRAMMED (M2)
0131F00174	MOTOR PROGRAMMED (M4)
0131F00183	MOTOR PROGRAMMED (M8)
0131F00172	MOTOR PROGRAMMED (M6)
0131F00048	MOTOR, BLOWER (M7)
0131F00047	MOTOR, BLOWER (M3)
0131F00035	MOTOR, BLOWER (M5)
0131F00046	MOTOR, BLOWER (M1)
0171M00002	MOTOR-ID, BLOWER
PCBBF139	PCB IGNITION HSI INTEG
0130F00429	PRESSURE SWITCH
0130F00434	PRESSURE SWITCH (M7, M8)
0130F00435	PRESSURE SWITCH (M1, M2, M3, M4)
0130F00436	PRESSURE SWITCH (M5, M6)
20162906	PRIMARY LIMIT - WHITE (M1, M2, M3, M4, M7, M8)
0130M00243	SWITCH, INTERLOCK
0130M00140	TRANSFORMER, 120V TO 24V,40VA
0150M00043	WHEEL, BLOWER (10 X 8) (M1, M2)

SPECIAL PARTS

0161M00032 NAMEPLATE, AMANA

Expanded Model Nomenclature

M1 - ACEC960403BNAA
M2 - ACEC960403BNAB
M3 - ACEC960603BNAA
M4 - ACEC960603BNAB
M5 - ACEC960803BNAA
M6 - ACEC960803BNAB
M7 - ACEC961005CNAA
M8 - ACEC961005CNAB

Cabinet Assembly

IMAGE 1

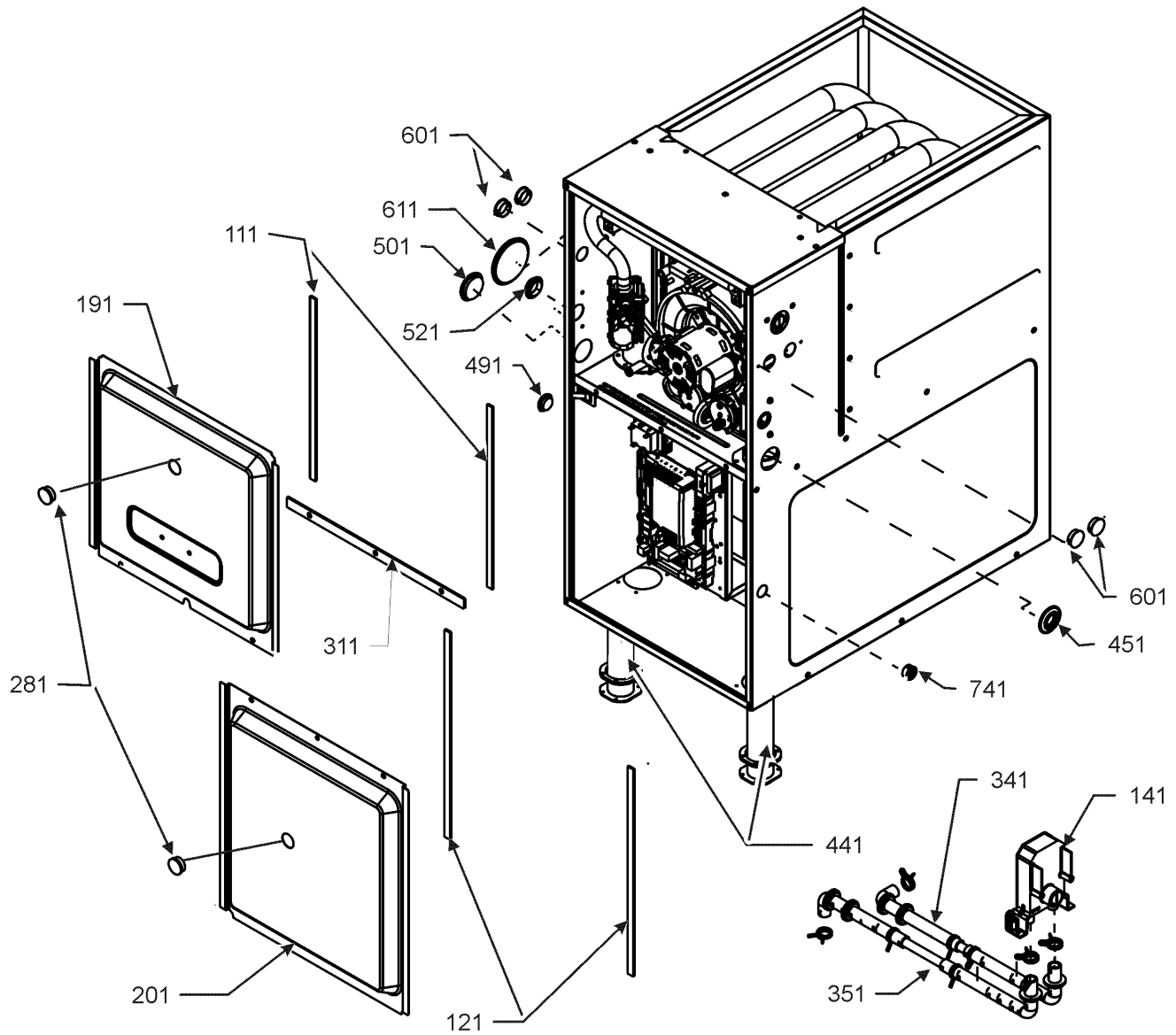
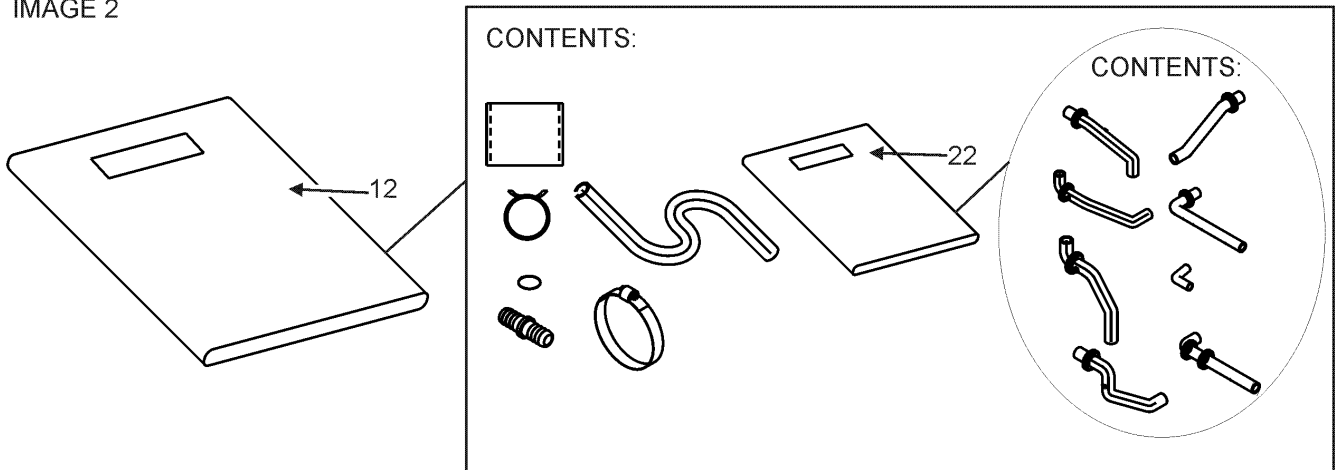


IMAGE 2



Cabinet Assembly

Ref. Part No:	Part No:	Description:	Ref. Part No:	Part No:	Description:
---------------	----------	--------------	---------------	----------	--------------

Image 1:

111	0154F00024	GASKET (QTY 2)
121	0154F00025	GASKET (QTY 2)
141	0161F00046	DRAIN TRAP
191	0121F00338LG	DOOR ACCESS 21" PNT (M7, M8)
191	0121F00337LG	DOOR, ACCESS 17.5" PNT (M1, M2, M3, M4, M5, M6)
201	0121F00340LG	DOOR, BLOWER 17.5" PNT (M1, M2, M3, M4, M5, M6)
201	0121F00341LG	DOOR, BLOWER 21" PNT (M7, M8)
281	B1392139	VIEW PORT BUSHING (QTY 2)
311	0154F00020	DECK GASKET (M1, M2, M3, M4, M5, M6)
311	0154F00021	DECK GASKET (M7, M8)
341	0270F03125	CF DRAIN TUBE ASSY (M1, M2, M3, M4, M5, M6)
341	0270F03515	CF DRAIN TUBE ASSY (M7, M8)
351	0270F03126	CF DRAIN TUBE ASSY (M7, M8)
351	0270F03514	CF DRAIN TUBE ASSY (M1, M2, M3, M4, M5, M6)
441	0161F00064	PIPE, STRAIGHT CF (QTY 2)
451	M0501301	PIPE GROMMET
491	M0570808	BUTTON PLUG
501	M0570806	BUTTON PLUG
521	0161M00027	HOLE PLUG
601	B1392021	PLASTIC PLUG, 1" (2713-BLK) (QTY 4)
611	0163M00460	CLAMP-HOSE (QTY 2)
741	B1392104	UNIVERSAL BUSHING UB 875
NS	M0310345	BUTTON PLUG (QTY 2)
NS	M0570807	BUTTON PLUG
NS	M0209730	DECORATIVE SCREW (QTY 3)
NS	0163M00319	HEX NUT INSERT (QTY 3)
NS	0161M00032	NAMEPLATE, AMANA
NS	M0273904	RETAINER SCREW (QTY 3)

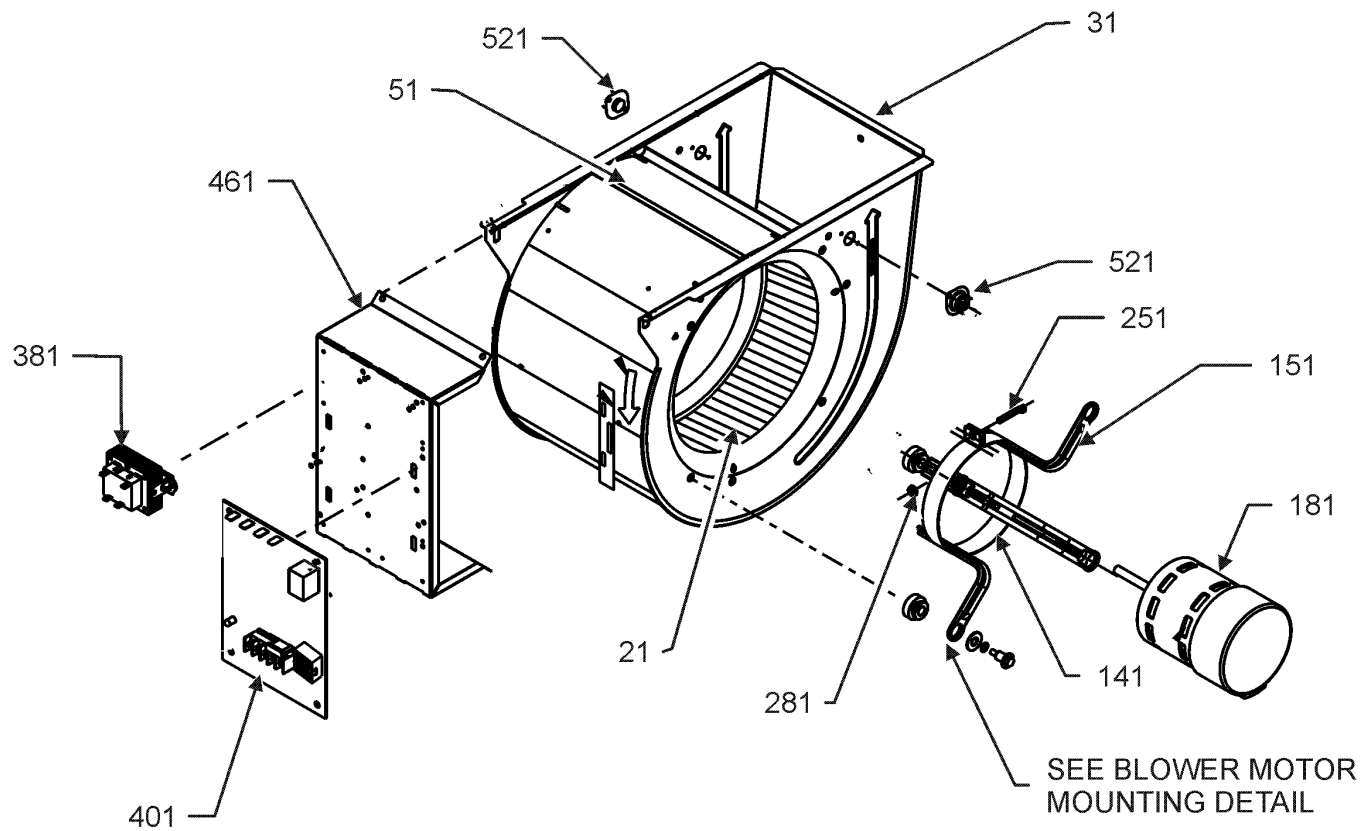
Image 2:

12	0270F05249	DRAIN KIT ASSY
22	0270F05249	DRAIN KIT ASSY

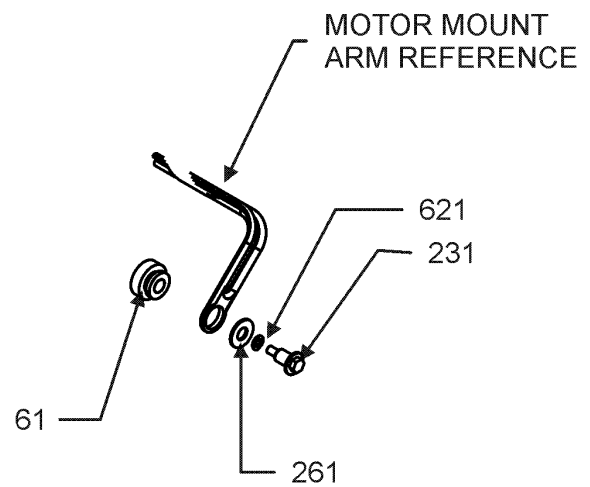
Expanded Model Nomenclature

- | |
|---------------------|
| M1 - ACEC960403BNAA |
| M2 - ACEC960403BNAB |
| M3 - ACEC960603BNAA |
| M4 - ACEC960603BNAB |
| M5 - ACEC960803BNAA |
| M6 - ACEC960803BNAB |
| M7 - ACEC961005CNAA |
| M8 - ACEC961005CNAB |

Blower Assembly



SEE BLOWER MOTOR MOUNTING DETAIL



BLOWER MOTOR MOUNTING DETAIL

Blower Assembly

Ref. Part No:	Ref. Part No:	Description:	Description:
---------------	---------------	--------------	--------------

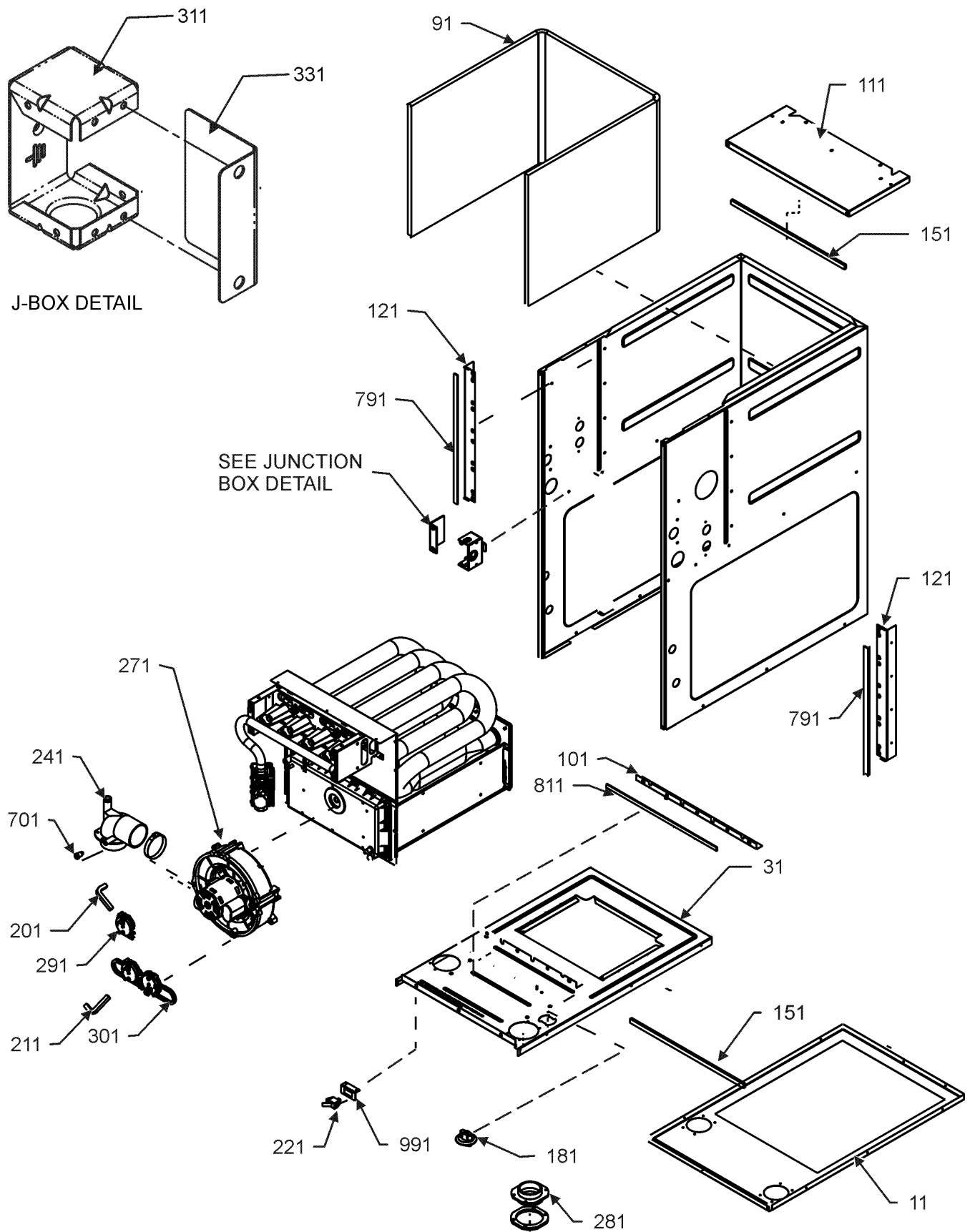
Image 1:

21	0150M00043	WHEEL, BLOWER (10 X 8) (M1, M2)
31	0271F00181	BLOWER HSG ASSY (M1, M2)
31	0271F00159	BLOWER SHELL & WHEEL ASSY (M3, M4, M5, M6)
31	0271F00161	BLOWER SHELL & WHEEL ASSY (M7, M8)
51	764740	BLWR BLK-OFF ,10X8 (M1, M2)
61	A4002702	GROMMET (M7)
141	10441601	BAND-MTR MOUNT (M7)
141	0121M00038	MOUNT BAND, MOTOR (M1, M3, M5)
141	0121M00039	MOUNT BAND, MOTOR (HEAVY DUTY) (M2, M4, M6, M8)
151	0163M00458	ARM MOTOR MOUNT (M7)
151	B1376857	MOTOR MOUNT ARM (M1, M3, M5)
151	B1376863	MOUNT ARM, MOTOR (HEAVY DUTY) (M2, M4, M6, M8)
181	0131F00172	MOTOR PROGRAMMED (M6)
181	0131F00173	MOTOR PROGRAMMED (M2)
181	0131F00174	MOTOR PROGRAMMED (M4)
181	0131F00183	MOTOR PROGRAMMED (M8)
181	0131F00035	MOTOR, BLOWER (M5)
181	0131F00046	MOTOR, BLOWER (M1)
181	0131F00047	MOTOR, BLOWER (M3)
181	0131F00048	MOTOR, BLOWER (M7)
231	0163F00028	SCREW (M7)
231	M0250565	TC SCREW 1.25" (M1, M2, M3, M4, M5, M6, M8)
251	0163M00320	HEX HEAD ALL THREAD TAP BOLT (M2, M4, M6, M8)
251	B1393323	MACHINE SCREW (M1, M3, M5)
251	M0267144	SCREW-MACH (M7, M8)
261	B1392918	FLAT WASHER (M1, M2, M3, M4, M5, M6, M8)
261	M0274008	FLAT WASHER (M7)
281	M0282015	KEPS NUT (M7)
281	B1393800	LOCKNUT, NYLON, INSERT 1/4, 20 (M1, M2, M3, M4, M5, M6, M8)
381	0130M00140	TRANSFORMER, 120V TO 24V,40VA
401	PCBBF139	PCB IGNITION HSI INTEG
461	0121F00464	CONTROL MOUNTING PLATE
521	0130F00038	AUX LIMIT - LT BLUE 120° (QTY 2)
621	B1392820	SLIT LOCK WASHER (M7, M8)
NS	B1392021	1" PLASTIC PLUG (QTY 4)
NS	0259F00024	HARNESS - BLOWER
NS	0159F00076	WIRE HARNESS
NS	0159F00077	WIRE HARNESS

Expanded Model Nomenclature

M1 - ACEC960403BNAA
M2 - ACEC960403BNAB
M3 - ACEC960603BNAA
M4 - ACEC960603BNAB
M5 - ACEC960803BNAA
M6 - ACEC960803BNAB
M7 - ACEC961005CNAA
M8 - ACEC961005CNAB

Chassis Assembly



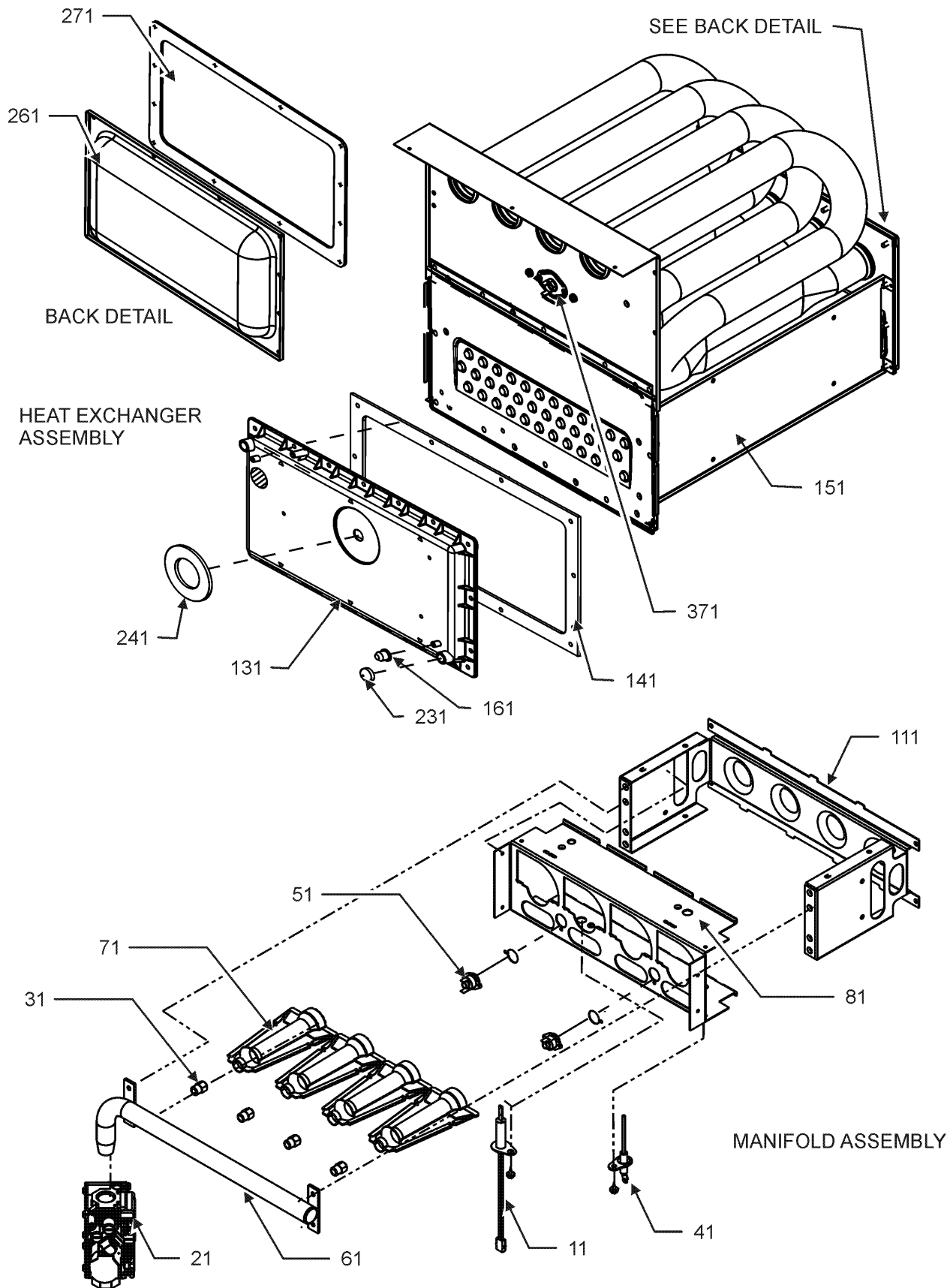
Chassis Assembly

Ref. Part No:	Part No:	Description:	Ref. Part No:	Part No:	Description:
Image 1:					
11	0121F00548DG	PAINTED BASEPAN, 17.5 CF (M1, M2, M3, M4, M5, M6)			
11	0121F00549DG	PAINTED BASEPAN, 21 CF (M7, M8)			
31	0121F00536	DECK-BLOWER 17.5" CF (M1, M2, M3, M4, M5, M6)			
31	0121F00537	DECK-BLOWER 21" CF (M7, M8)			
91	0160F00015	INSULATION, HT EXCHANGER 17.5" (M1, M2, M3, M4, M5, M6)			
91	0160F00016	INSULATION, HT EXCHANGER 21" (M7, M8)			
101	0121F00314	ANGLE, DECK (M1, M2, M3, M4, M5, M6)			
101	0121F00315	ANGLE, DECK (M7, M8)			
111	0121F00426DG	TOP, PAINTED FURNACE 17.5" CF (M1, M2, M3, M4, M5, M6)			
111	0121F00434DG	TOP, PAINTED FURNACE 21" CF (M7, M8)			
121	0121F00313	SIDE ANGLE (QTY 2)			
151	20179309	GASKET (M1, M2, M3, M4, M5, M6)			
151	20179310	GASKET (M7, M8)			
181	0159F00077	HARNESS, WIRING			
201	0164M00008	HOSE-PRESSURE SW (M7, M8)			
211	0164M00019	HOSE-PRESSURE SW 6"			
221	0130M00243	SWITCH, INTER LOCK			
241	0164F00003	ELBOW-FLUE, 17.5" CFLOW (M1, M2, M3, M4, M5, M6)			
241	0164F00004	ELBOW-FLUE, 21" CFLOW (M7, M8)			
271	0171M00002	MOTOR-ID, BLOWER			
281	0161F00037	COUPLING			
291	0130F00429	PRESSURE SWITCH			
301	0130F00434	PRESSURE SWITCH (M7, M8)			
301	0130F00435	PRESSURE SWITCH (M1, M2, M3, M4)			
301	0130F00436	PRESSURE SWITCH (M5, M6)			
311	0161F00042	JUNCTION BOX			
331	0161F00043	JUNCTION BOX LID			
701	M0326804	TUBE PLUG			
791	0154F00015	GASKET (QTY 2)			
811	0154F00014	GASKET (M1, M2, M3, M4, M5, M6)			
811	0154F00016	GASKET (M7, M8)			
991	0121F00389	BRACKET, DOOR SWITCH			

Expanded Model Nomenclature

M1 - ACEC960403BNAA
M2 - ACEC960403BNAB
M3 - ACEC960603BNAA
M4 - ACEC960603BNAB
M5 - ACEC960803BNAA
M6 - ACEC960803BNAB
M7 - ACEC961005CNAA
M8 - ACEC961005CNAB

Heat Exchanger and Manifold Assembly



Heat Exchanger and Manifold Assembly

Ref. Part No:	Part No:	Description:	Ref. Part No:	Part No:	Description:
Image 1:					
11	0130F00008	IGNITOR-SINI 17 SEC			
21	0151M00027	GAS VALVE			
31	10716005	ORIFICE (QTY 2)			
41	0130F00010	FLAME SENSOR			
51	0130F00123	MANUAL RESET R.O.S. LIMIT (M7, M8)			
51	10123533	MANUAL RESET R.O.S. LIMIT (M1, M2, M5, M6)			
51	10123538	MANUAL RESET R.O.S. LIMIT (M3, M4)			
61	0163F00007	MANIFOLD (M1, M2)			
61	0163F00008	MANIFOLD (M3, M4)			
61	0163F00010	MANIFOLD (M7, M8)			
61	0163F00014	MANIFOLD (M5, M6)			
71	0163F00017	BECKETT BURNER (QTY 2)			
81	0121F00456	BRACKET-BURNER 2 (M1, M2)			
81	0121F00455	BRACKET-BURNER 3 (M3, M4)			
81	0121F00454	BRACKET-BURNER 4 (M5, M6)			
81	0121F00453	BRACKET-BURNER 5 (M7, M8)			
111	0121F00469	ORIFICE BRACKET-BURNER 2 (M1, M2)			
111	0121F00468	ORIFICE BRACKET-BURNER 3 (M3, M4)			
111	0121F00467	ORIFICE BRACKET-BURNER 4 (M5, M6)			
111	0121F00466	ORIFICE BRACKET-BURNER 5 (M7, M8)			
131	0161F00053	FRONT COVER (M1, M2)			
131	0161F00072	FRONT COVER (M7, M8)			
131	0161F00078	FRONT COVER (M3, M4)			
131	0161F00079	FRONT COVER (M5, M6)			
141	0154F00026	GASKET FRONT COVER (M1, M2, M3, M4, M5, M6)			
141	0154F00030	GASKET FRONT COVER (M7, M8)			
151	0257F00422	HEAT EXCHANGER ASSY (M1, M2)			
151	0257F00423	HEAT EXCHANGER ASSY (M3, M4)			
151	0257F00424	HEAT EXCHANGER ASSY (M5, M6)			
151	0257F00428	HEAT EXCHANGER ASSY (M7, M8)			
161	M0326804	TUBE PLUG			
231	A1781105	CAP-VINYL .500			
241	0154F00043	GASKET ID BLOWER			
261	0121F00317	REAR COVER (M1, M2, M3, M4, M5, M6)			
261	0121F00318	REAR COVER (M7, M8)			
271	0154F00037	REAR COVER GASKET (M1, M2, M3, M4, M5, M6)			
271	0154F00038	REAR COVER GASKET (M7, M8)			
371	20162904	*PRIMARY LIMIT-TEMPERATURE CONTROL (M5, M6)			
371	20162906	PRIMARY LIMIT - WHITE (M1, M2, M3, M4, M7, M8)			
NS	0154F00041	GASKET FRESH AIR (QTY 2)			
NS	0121F00583	INSULATION, RETAINER (M1, M2, M3, M4, M5, M6)			
NS	0121F00584	INSULATION, RETAINER (M7, M8)			
NS	0121F00439	PRIMARY LIMIT-HEAT SHIELD			
NS	0121F00355	SHIELD, COIL (QTY 2)			

Expanded Model Nomenclature

- M1 - ACEC960403BNAA
- M2 - ACEC960403BNAB
- M3 - ACEC960603BNAA
- M4 - ACEC960603BNAB
- M5 - ACEC960803BNAA
- M6 - ACEC960803BNAB
- M7 - ACEC961005CNAA
- M8 - ACEC961005CNAB