

ACEC 80% High Efficient Furnace

ACEC800403AXAA
ACEC800403AXAB
ACEC800603AXAA
ACEC800603AXAB
ACEC800603BXAA
ACEC800603BXAB
ACEC800804BXAA
ACEC800804BXAB
ACEC800805CXAA
ACEC800805CXAB
ACEC801005CXAA
ACEC801005CXAB



Amana® is a registered trademark of Maytag Corporation or its related companies and is used under license. All rights reserved.

This manual is to be used by qualified technicians only.

This manual replaces RP-A2327

© 2019 - 2020 Goodman Company, L.P. ♦ 5151 San Felipe St, Suite 500 ♦ Houston, TX 77056

Important Information

Index

Functional Parts List	3
Illustration and Parts	4 - 9

Views shown are for parts illustrations only, not servicing procedures

Text Codes:

AR - As Required

NA - Not Available

NS - Not Shown

00000000 - See Note

QTY - Quantity Example (QTY 3) (If Quantity not shown, Quantity = 1)

M - Model Example (M1) (If M Code not shown, then part is used on all Models)

Expanded Model Nomenclature:

Example M1 - Model#1 M2 - Model#2 M3 - Model#3

Goodman Company, L.P. is not responsible for personal injury or property damage resulting from improper service. Review all service information before beginning repairs.

Warranty service must be performed by an authorized technician, using authorized factory parts. If service is required after the warranty expires, Goodman Company, L.P. also recommends contacting an authorized technician and using authorized factory parts.

Goodman Company, L.P. reserves the right to discontinue, or change at any time, specifications or designs without notice or without incurring obligations.

For assistance within the U.S.A. contact:

Homeowner Support
Goodman Company, L.P.
19001 Kermier Road
Waller, Texas 77484
877-254-4729-Telephone
713-863-2382-Facsimile

For assistance outside the U.S.A. contact:

International Division
Goodman Company, L.P.
19001 Kermier Road
Waller, Texas 77484
713-861-2500-Telephone
713-863-2382-Facsimile

Functional Parts

Part

No: Description:

0130F00791	DUAL STAGE PRESSURE SWITCH (M2, M4, M5, M6, M7, M8)
0130F00792	DUAL STAGE PRESSURE SWITCH (M9, M10, M11, M12)
0130F00010	FLAME SENSOR
0151M00027	GAS VALVE
10690402	INTERLOCK SWITCH
0130F00071	LIMIT SWITCH (M5, M6)
0130F00038	LIMIT, PRIMARY 120 LT BLUE
0130F00067	LIMIT-RED (M9, M10, M11, M12)
10123529	MANUAL RESET R.O.S. LIMIT
0131F00166	MOTOR PROGRAMMED (M3, M4)
0131F00155	MOTOR PROGRAMMED (M11, M12)
0131F00156	MOTOR PROGRAMMED (M7, M8)
0131F00157	MOTOR PROGRAMMED (M5, M6)
0131F00158	MOTOR PROGRAMMED (M9, M10)
0131F00165	MOTOR PROGRAMMED (M1, M2)
0131M00781P	MOTOR, VENT 2-STAGE
PCBBF139	PCB, IGNITION CONTROL
0130F00036	PRIMARY LIMIT - PINK 180° (M1, M2, M3, M4, M7, M8)
0130F00008	SINI IGNITOR
0130M00140	TRANSFORMER 120V TO 24V, 40VA
0130M00140	TRANSFORMER,(120V TO 24V,40VA,

SPECIAL PARTS

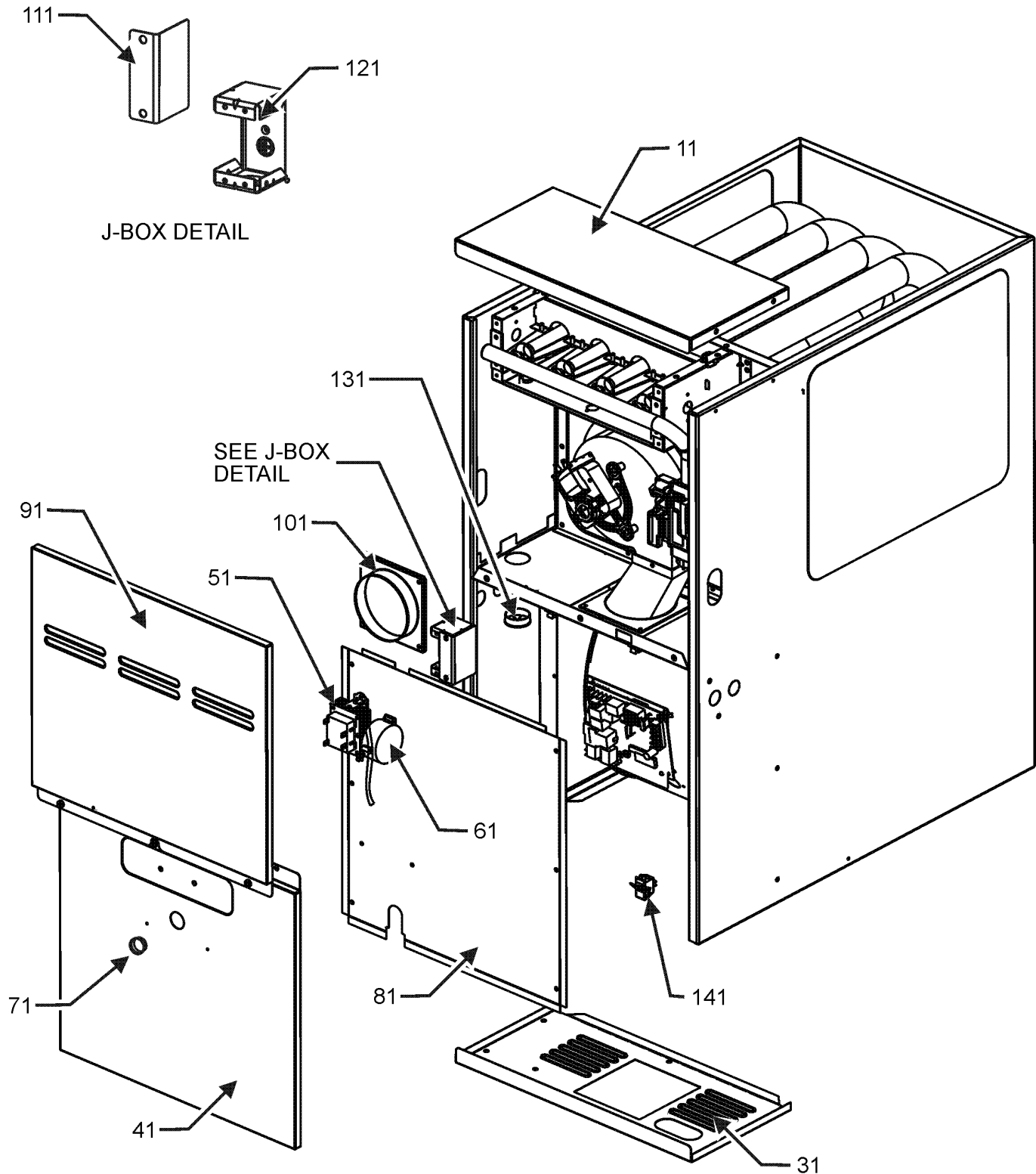
0161F00006 NAMEPLATE, AMANA

Expanded Model Nomenclature

M1 - ACEC800403AXAA
M2 - ACEC800403AXAB
M3 - ACEC800603AXAA
M4 - ACEC800603AXAB
M5 - ACEC800603BXAA
M6 - ACEC800603BXAB
M7 - ACEC800804BXAA
M8 - ACEC800804BXAB
M9 - ACEC800805CXAA
M10 - ACEC800805CXAB
M11 - ACEC801005CXAA
M12 - ACEC801005CXAB

Cabinet Assembly

CABINET ASSEMBLY



Cabinet Assembly

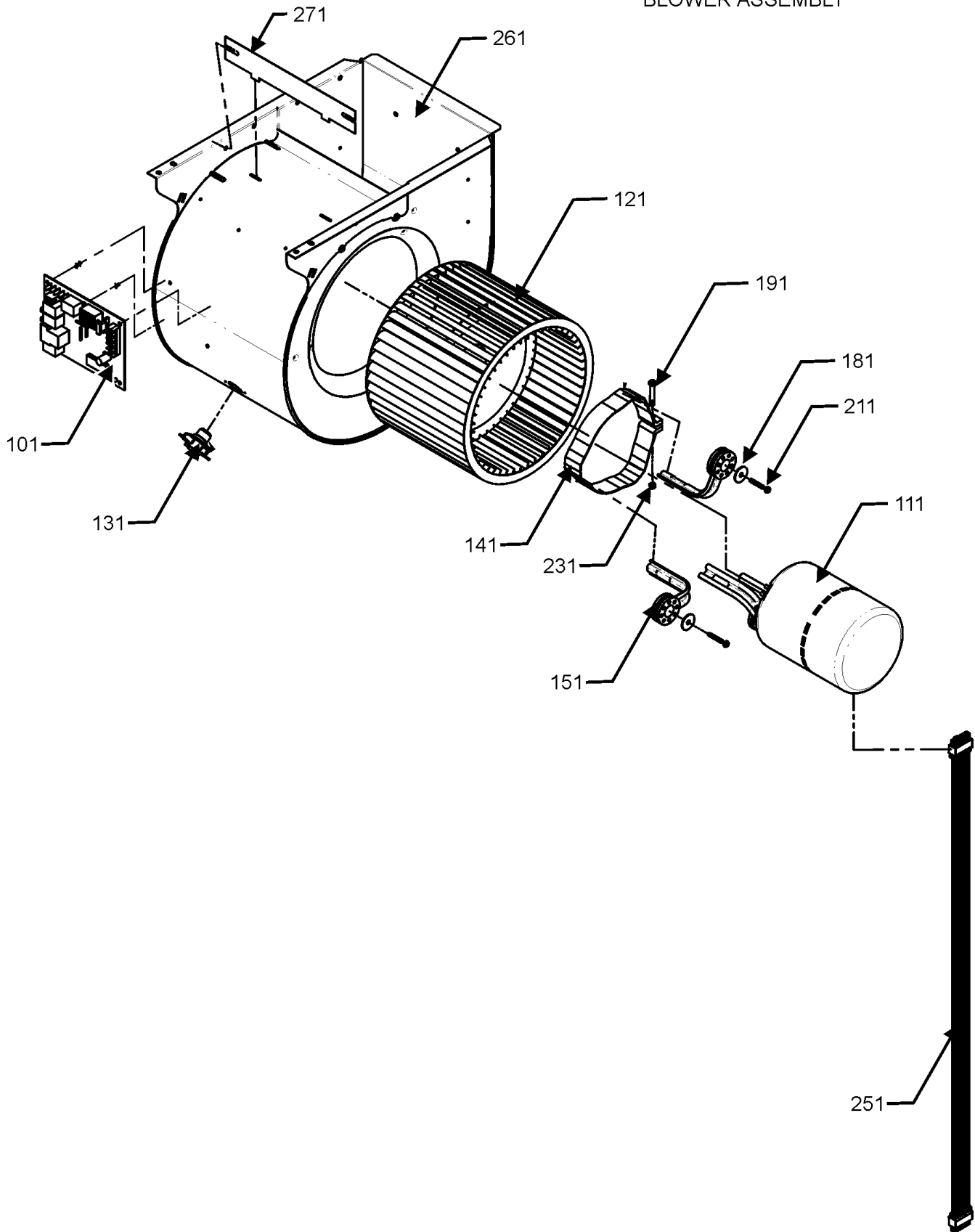
Ref. Part No:	Part No:	Description:	Ref. Part No:	Part No:	Description:
Image 1:					
11	0121F00183DG	PAINTED 14" FURNACE BOTTOM (M1, M2, M3, M4)			
11	0121F00190DG	PAINTED 17.5" FURNACE BOTTOM (M5, M6, M7, M8)			
11	0121F00191DG	PAINTED 21" FURNACE BOTTOM (M9, M10, M11, M12)			
31	0121F00141DG	TOP, FURNACE 14"-PAINTED (M1, M2, M3, M4)			
31	0121F00142DG	TOP, FURNACE 17.5"-PAINTED (M5, M6, M7, M8)			
31	0121F00143DG	TOP, FURNACE 21"-PAINTED (M9, M10, M11, M12)			
41	0121F00122LG	DOOR, BLOWER, 14"-PAINTED (M1, M2, M3, M4)			
41	0121F00123LG	DOOR, BLOWER, 17.5" PAINTED (M5, M6, M7, M8)			
41	0121F00124LG	DOOR, BLOWER, 21"-PAINTED (M9, M10, M11, M12)			
51	0130M00140	TRANSFORMER 120V TO 24V, 40VA			
61	0130F00791	DUAL STAGE PRESSURE SWITCH (M2, M4, M5, M6, M7, M8)			
61	0130F00792	DUAL STAGE PRESSURE SWITCH (M9, M10, M11, M12)			
71	B1392139	VIEW PORT BUSHING-BLOWER DOOR			
81	0121F00741	DOOR, INNENR 14" (M1, M2, M3, M4)			
81	0121F00227	DOOR, INNER 17.5" (M5, M6, M7, M8)			
81	0121F00228	DOOR, INNER 21" (M9, M10, M11, M12)			
91	0121F00118LG	DOOR CTRL AC CESS, 14"-PAINTED (M1, M2, M3, M4)			
91	0121F00120LG	DOOR CTRL AC CESS, 21"-PAINTED (M9, M10, M11, M12)			
91	0121F00119LG	DOOR CTRL AC CESS, 17.5"-PAINTED (M5, M6, M7, M8)			
101	4023500	CHIMNEY TRANSITION TOP			
111	4015502	J-BOX COVER			
121	4014502	J-BOX			
131	0163F00001	UNIVERSAL BUSHING WITH SLICE (M1, M2, M3, M4)			
131	B1392147	UNIVERSAL BUSHING WITH SLICE (M5, M6, M7, M8, M9, M10, M11, M12)			
141	10690402	INTERLOCK SWITCH			
NS	0161F00006	NAMEPLATE, AMANA			

Expanded Model Nomenclature

- | |
|----------------------|
| M1 - ACEC800403AXAA |
| M2 - ACEC800403AXAB |
| M3 - ACEC800603AXAA |
| M4 - ACEC800603AXAB |
| M5 - ACEC800603BXAA |
| M6 - ACEC800603BXAB |
| M7 - ACEC800804BXAA |
| M8 - ACEC800804BXAB |
| M9 - ACEC800805CXAA |
| M10 - ACEC800805CXAB |
| M11 - ACEC801005CXAA |
| M12 - ACEC801005CXAB |

Blower and Control Panel Assembly

BLOWER ASSEMBLY



Blower and Control Panel Assembly

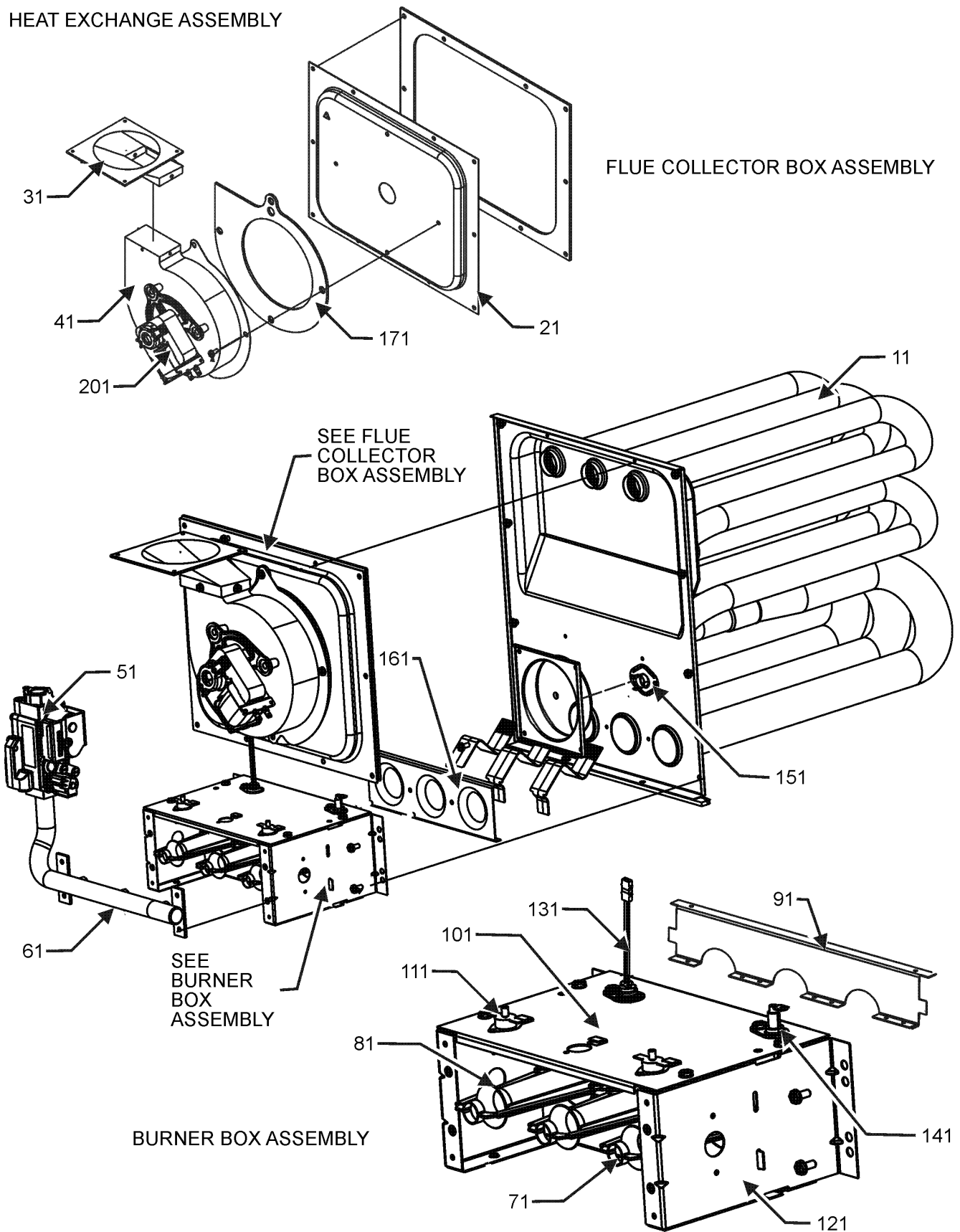
Ref. Part No:	Part No:	Description:	Ref. Part No:	Part No:	Description:
Image 1:					
21	20477501	GROMMET-HORSESHOE			
31	0130M00140	TRANSFORMER,(120V TO 24V,40VA,			
51	PCBBF139	PCB, IGNITION CONTROL			
71	0121F00745	D.F CONTROL PANEL MOUNT (M5, M6, M7, M8, M9, M10, M11, M12)			
71	0121F00742	PANEL, CONTROL (M1, M2, M3, M4)			
81	0121F00229	HEAT SHIELD			
111	0131F00155	MOTOR PROGRAMMED (M11, M12)			
111	0131F00156	MOTOR PROGRAMMED (M7, M8)			
111	0131F00157	MOTOR PROGRAMMED (M5, M6)			
111	0131F00158	MOTOR PROGRAMMED (M9, M10)			
111	0131F00165	MOTOR PROGRAMMED (M1, M2)			
111	0131F00166	MOTOR PROGRAMMED (M3, M4)			
121	0150M00042	WHEEL, BLOWER (10 X 10) (M9, M10, M11, M12)			
121	0150M00043	WHEEL, BLOWER (10 X 8) (M5, M6, M7, M8)			
121	0150M00061	WHEEL,BLOWER (M1, M2, M3, M4)			
131	0130F00038	LIMIT, PRIMARY 120 LT BLUE			
141	0121M00039	MOUNT BAND, MOTOR (HEAVY DUTY)			
141	0121M00039	MOUNT BAND, MOTOR (HEAVY DUTY)			
151	B1376863	MOTOR MOUNT ARM (HEAVY DUTY) (QTY 3)			
181	B1392918	WASHER, FLAT 1/4 ID X 1 OD (QTY 3)			
191	0163M00320	HEX HEAD ALL THREAD TAP BOLT			
211	M0250565	SCREW-TC 1.25" (QTY 3)			
211	M0250565	SCREW-TC 1.25" (QTY 3)			
231	B1393800	LOCKNUT, NYLON INSERT 1/4 20			
251	0159F00076	WIRING HARNESS			
261	2539307	BLWR SHL ASM 10X10 10X10 (M9, M10, M11, M12)			
261	2539305	BLWR SHL ASM 10X6 10X6 (M1, M2, M3, M4)			
261	2539306	BLWR SHL ASM 10X8 10X8 (M5, M6, M7, M8)			
271	764741	BLWR BLK-OFF ,10X10 (M9, M10, M11, M12)			
271	764739	BLWR BLK-OFF ,10X6 (M1, M2, M3, M4)			
271	764740	BLWR BLK-OFF ,10X8 (M5, M6, M7, M8)			

Expanded Model Nomenclature

M1 - ACEC800403AXAA
M2 - ACEC800403AXAB
M3 - ACEC800603AXAA
M4 - ACEC800603AXAB
M5 - ACEC800603BXAA
M6 - ACEC800603BXAB
M7 - ACEC800804BXAA
M8 - ACEC800804BXAB
M9 - ACEC800805CXAA
M10 - ACEC800805CXAB
M11 - ACEC801005CXAA
M12 - ACEC801005CXAB

Heat Exchange Assembly

HEAT EXCHANGE ASSEMBLY



Heat Exchange Assembly

Ref. Part No: No:	Description:	Ref. Part No: No:	Description:
Image 1:		Expanded Model Nomenclature	
11	0270F03529	HEAT EXCHANGER ASSY (M1, M2)	M1 - ACEC800403AXAA
11	0270F03530	HEAT EXCHANGER ASSY (M3, M4)	M2 - ACEC800403AXAB
11	0270F03531	HEAT EXCHANGER ASSY (M5, M6)	M3 - ACEC800603AXAA
11	0270F03532	HEAT EXCHANGER ASSY (M7, M8)	M4 - ACEC800603AXAB
11	0270F03533	HEAT EXCHANGER ASSY (M9, M10)	M5 - ACEC800603BXAA
11	0270F03534	HEAT EXCHANGER ASSY (M11, M12)	M6 - ACEC800603BXAB
21	0121F00327	14" COLLECTOR BOX 1.125" DIA (M1, M2)	M7 - ACEC800804BXAA
21	0121F00332	17.5" COLLECTOR BOX 1.375" DIA (M5, M6)	M8 - ACEC800804BXAB
21	0121F00331	17.5" COLLECTOR BOX 1.500" DIA (M7, M8)	M9 - ACEC800805CXAA
21	0121F00365	21" COLLECTOR BOX 1.437" DIA. (M9, M10)	M10 - ACEC800805CXAB
21	0121F00333	21" COLLECTOR BOX 1.75" DIA (M11, M12)	M11 - ACEC801005CXAA
21	0121F00198	COLLECTOR BOX, 14" 1.75 DIA (M3, M4)	M12 - ACEC801005CXAB
31	0128F00006	CHIMNEY TRANSITION BOTTOM	
41	0131M00781P	MOTOR, VENT 2-STAGE	
51	0151M00027	GAS VALVE	
61	0120F00006	MANIFOLD (M1, M2)	
61	0120F00007	MANIFOLD (M3, M4, M5, M6)	
61	0120F00008	MANIFOLD (M7, M8, M9, M10)	
61	0120F00009	MANIFOLD (M11, M12)	
71	10716005	ORIFICE (QTY 2)	
81	B4022700	INSHOT BURNER ASSY 3" (QTY 2)	
91	0121F00167	BURNER RACK, 2 CELL (M1, M2)	
91	0121F00168	BURNER RACK, 3 CELL (M3, M4, M5, M6)	
91	0121F00169	BURNER RACK, 4 CELL (M7, M8, M9, M10)	
91	0121F00170	BURNER RACK, 5 CELL (M11, M12)	
101	0121F00162	TOP, BURNER BOX 2 CELL (M1, M2)	
101	0121F00163	TOP, BURNER BOX 3 CELL (M3, M4, M5, M6)	
101	0121F00164	TOP, BURNER BOX 4 CELL (M7, M8, M9, M10)	
101	0121F00165	TOP, BURNER BOX 5 CELL (M11, M12)	
111	10123529	MANUAL RESET R.O.S. LIMIT	
121	0121F00146	BURNER BOX SIDE (QTY 2)	
131	0130F00008	SINI IGNITOR	
141	0130F00010	FLAME SENSOR	
151	0130F00071	LIMIT SWITCH (M5, M6)	
151	0130F00067	LIMIT-RED (M9, M10, M11, M12)	
151	0130F00036	PRIMARY LIMIT - PINK 180° (M1, M2, M3, M4, M7, M8)	
161	4028000	ORIFICE PLATE, 2CELL (M1, M2)	
161	4028001	ORIFICE PLATE, 3CELL (M3, M4, M5, M6)	
161	4028002	ORIFICE PLATE, 4 CELL (M7, M8, M9, M10)	
161	4028003	ORIFICE PLATE, 5CELL (M11, M12)	
171	0154F00003	GASKET-14 INCH (M1, M2, M3, M4)	
171	0154F00004	GASKET-17.5 INCH (M5, M6, M7, M8)	
171	0154F00005	GASKET-21 INCH (M9, M10, M11, M12)	
201	DY6.186.070	VENT MOTOR CAPACITOR	
NS	0259F00283	DOWNFLOW MAIN WIRE HARNESS (M1, M3, M5, M7, M9, M11)	
NS	0259F00066	INDUCER HARNESS ASSY	
NS	0259F00281	WIRE HARNESS ASSY	
NS	0259F00293	WIRE HARNESS ASSY (M2, M4, M6, M8, M10,	