



REPAIR PARTS

AC*D Series Ceiling Mount Air Handlers

Models covered
in this manual

AC18-00D
AC18-05D
AC18-06D
AC18-08D
AC24-00D
AC24-05D
AC24-06D
AC24-08D
AC24-10D
AC30-00D
AC30-05D
AC30-08D
AC30-10D
AC36-00D
AC36-05D
AC36-08D
AC36-10D



Important Information

Goodman Manufacturing Company, L.P. is not responsible for personal injury or property damage resulting from improper service. Review all service information before beginning repairs.

Warranty service must be performed by an authorized technician, using authorized factory parts. If service is required after the warranty expires, Goodman Manufacturing Company, L.P. also recommends contacting an authorized technician and using authorized factory parts.

For assistance within the U.S.A. contact:

Consumer Affairs Department
Goodman Manufacturing Company, L.P.
7401 Security Way
Houston, Texas 77040
877-254-4729-Telephone
713-863-2382-Facsimile

For assistance outside the U.S.A. contact:

International Division
Goodman Manufacturing Company, L.P.
7401 Security Way
Houston, Texas 77040
713-861-2500-Telephone
713-863-2382-Facsimile

Index

Functional Parts List	4 - 5
Illustration and Parts	6 - 9

Views shown are for parts illustrations only, not servicing procedures.

Text Codes:

AR - As Required

NA - Not Available

NS - Not Shown

00000000 - See Note

QTY - Quantity Example (QTY 3) (If Quantity not shown, Quantity = 1)

M - Model Example (M1) (If M Code not shown, then part is used on all Models)

Expanded Model Nomenclature:

Example
M1 - Model#1
M2 - Model#2
M3 - Model#3

Functional Parts

Part

No: Description:

BT13680-11	BLOWER WHEEL, 5.75 X 6.75 (M1, M2, M3, M4)
BT13680-12	BLOWER WHEEL, 6.31 X 8.25 (M5, M6, M7, M8, M9)
BT13680-13	BLOWER WHEEL, 6.75 X 8.25 (M10, M11, M12, M13)
BT13680-14	BLOWER WHEEL, 6.75 X 9.25 (M14, M15, M16, M17)
B1370735	BOARD, TIME DELAY
BT94580-00	CAPACITOR, 5/370
36649-02	COIL ASM. (LG.) (M14, M15, M16, M17)
36649-01	COIL ASM. (MED) (M10, M11, M12, M13)
36649-00	COIL ASM. (SMALL) (M1, M2, M3, M4, M5, M6, M7, M8, M9)
36960-00S	COIL TUBING ASM. AC18 (M1, M2, M3, M4)
36960-01S	COIL TUBING ASM. AC24 (M5, M6, M7, M8, M9)
36960-02S	COIL TUBING ASM. AC30 (M10, M11, M12, M13)
36960-03S	COIL TUBING ASM. AC36 (M14, M15, M16, M17)
BT13690-04	FLOWRATOR, .052 (M1, M2, M3, M4)
BT13690-01	FLOWRATOR, .059 (M5, M6, M7, M8, M9)
BT13690-05	FLOWRATOR, .065 (M10, M11, M12, M13)
BT13690-06	FLOWRATOR, .071 (M14, M15, M16, M17)
BT14200-12	HEATER, 10KW (M9, M13, M17)
BT14200-10	HEATER, 5KW (M2, M6, M11, M15)
BT14200-13	HEATER, 6KW (M3, M7)
BT14200-11	HEATER, 8KW (M4, M8, M12, M16)
BT13400-16	MOTOR, 1/3 HP (M14, M15, M16, M17)
BT13400-15	MOTOR, 1/4 HP (M5, M6, M7, M8, M9, M10, M11, M12, M13)
BT13400-14	MOTOR, 1/8 HP (M1, M2, M3, M4)
BT12565-00	SEQUENCER, 5KW (M2, M6, M11, M15)
BT12565-01	SEQUENCER, 8-10KW (M3, M4, M7, M8, M9, M12, M13, M16, M17)
BT11416-01	TRANSFORMER, 230 TO 24V

Functional Parts

Part

No: Description:

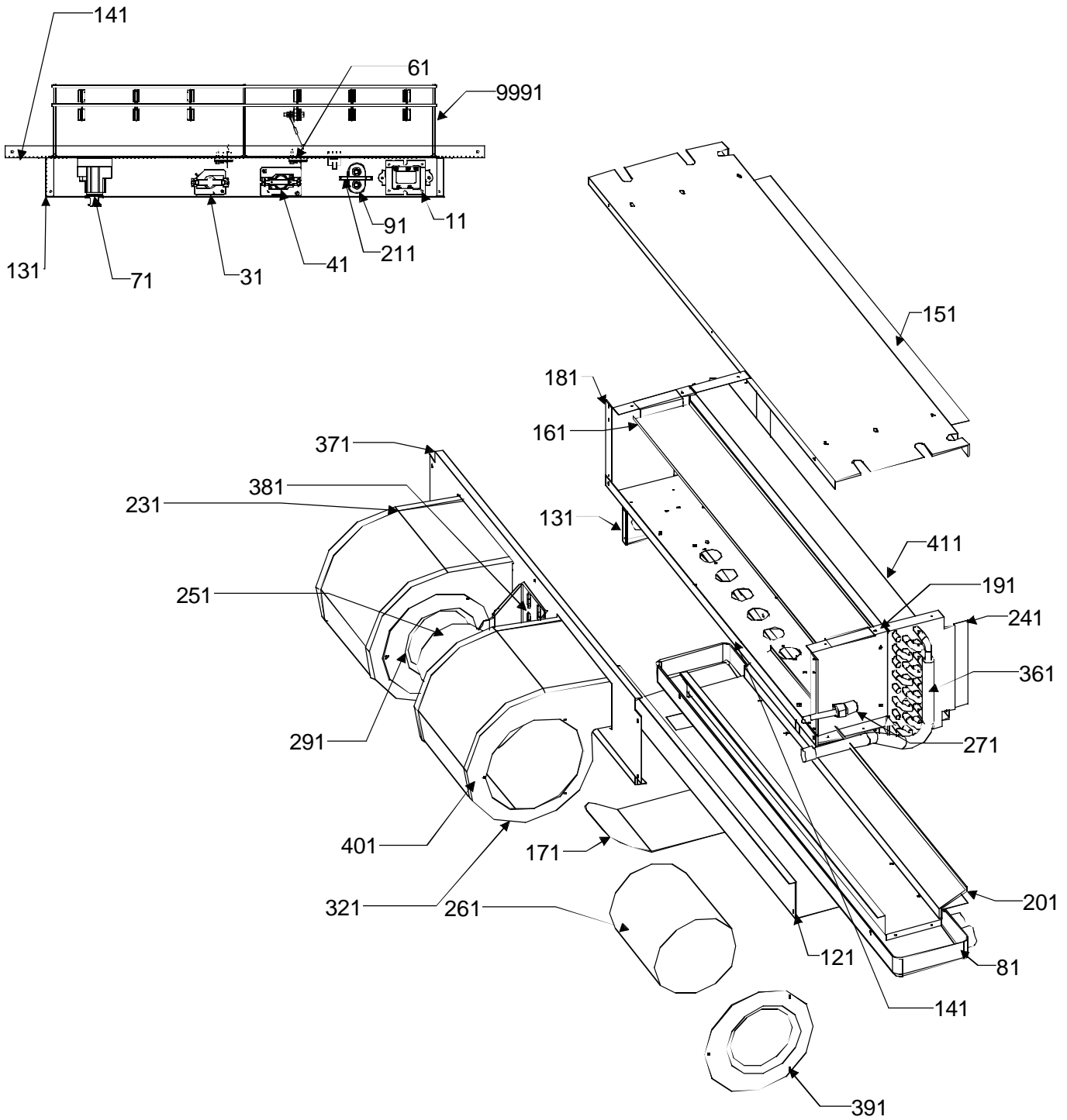
SPECIAL PARTS

IO-240	I & O MANUAL
RP-309	REPAIR PARTS MANUAL
SS-248	SPECIFICATION SHEET
PW-316	WARRANTY

Expanded Model Nomenclature

M1 - AC18-00D
M2 - AC18-05D
M3 - AC18-06D
M4 - AC18-08D
M5 - AC24-00D
M6 - AC24-05D
M7 - AC24-06D
M8 - AC24-08D
M9 - AC24-10D
M10 - AC30-00D
M11 - AC30-05D
M12 - AC30-08D
M13 - AC30-10D
M14 - AC36-00D
M15 - AC36-05D
M16 - AC36-08D
M17 - AC36-10D

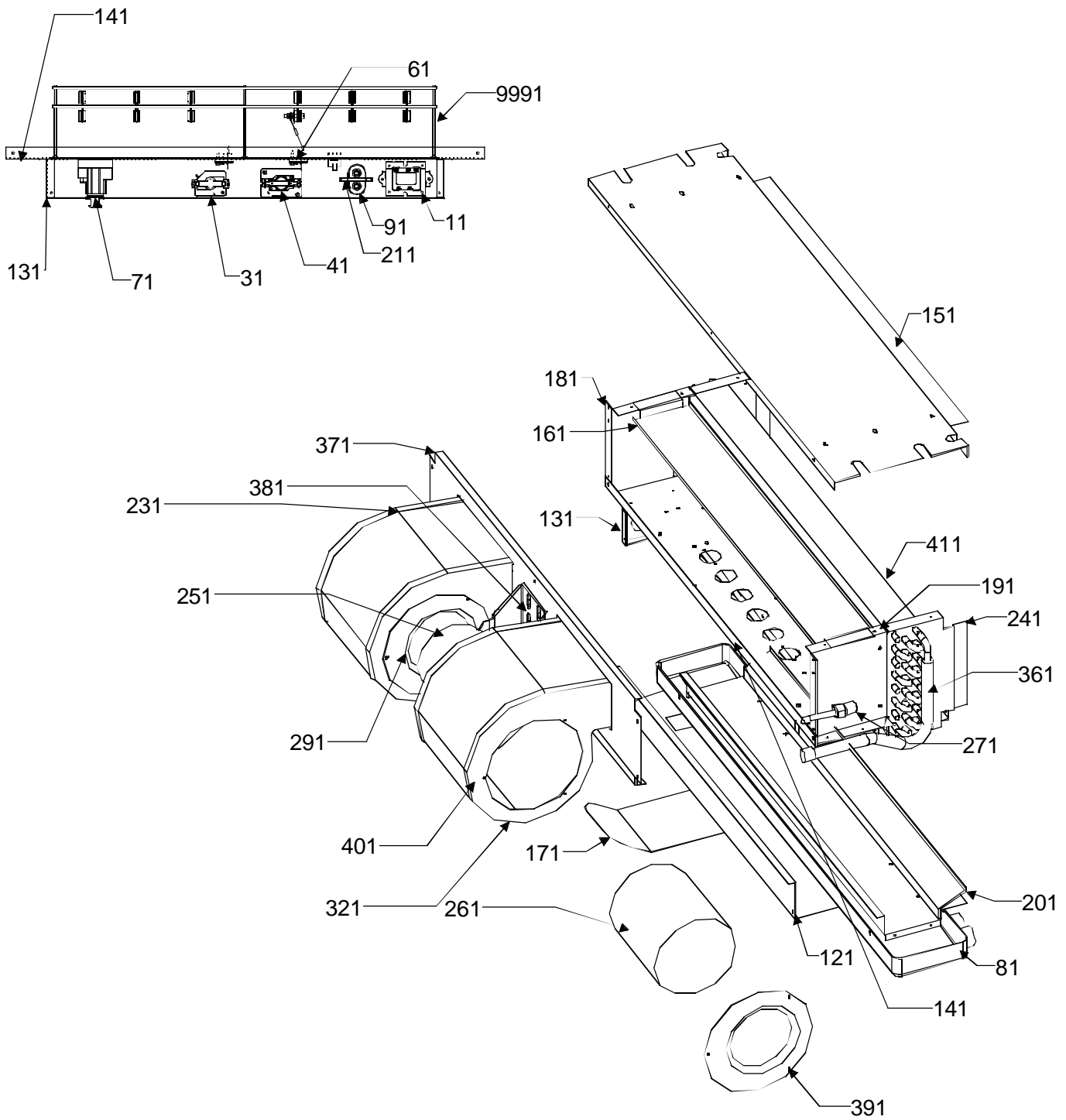
AC* Model Air Handlers



AC* Model Air Handlers

Ref. Part No:	No:	Description:	Ref. Part No:	No:	Description:
<i>Image 1:</i>			Expanded Model Nomenclature		
11	BT11416-01	TRANSFORMER, 230 TO 24V	M1	-	AC18-00D
31	BT12565-00	SEQUENCER, 5KW (M2, M6, M11, M15)	M2	-	AC18-05D
31	BT12565-01	SEQUENCER, 8-10KW (M3, M4, M7, M8, M9, M12, M13, M16, M17)	M3	-	AC18-06D
41	B1370735	BOARD, TIME DELAY	M4	-	AC18-08D
61	BT13715-00	GROUND LUG	M5	-	AC24-00D
71	BT1753510	PULL OUT DISCONNECT	M6	-	AC24-05D
81	36700-02	DRAIN PAN, SERVICE KIT (LG.) (M14, M15, M16, M17)	M7	-	AC24-06D
81	36700-01	DRAIN PAN, SERVICE KIT (MED.) (M10, M11, M12, M13)	M8	-	AC24-08D
81	36700-00	DRAIN PAN, SERVICE KIT (SM) (M1, M2, M3, M4, M5, M6, M7, M8, M9)	M9	-	AC24-10D
91	BT94580-00	CAPACITOR, 5/370	M10	-	AC30-00D
121	3610006	CONTROL BOX TOP	M11	-	AC30-05D
131	36110-05	CONTROL BOX, WRAPPER	M12	-	AC30-08D
141	36120-02	CONTROL BOX BOTTOM (LARGE) (M14, M15, M16, M17)	M13	-	AC30-10D
141	36120-01	CONTROL BOX BOTTOM (MED.) (M10, M11, M12, M13)	M14	-	AC36-00D
141	36120-00	CONTROL BOX BOTTOM (SMALL) (M1, M2, M3, M4, M5, M6, M7, M8, M9)	M15	-	AC36-05D
151	36130-02	EVAP. TOP PANEL (LARGE) (M14, M15, M16, M17)	M16	-	AC36-08D
151	36130-01	EVAP. TOP PANEL (MED) (M10, M11, M12, M13)	M17	-	AC36-10D
151	36130-00	EVAP. TOP PANEL (SMALL) (M1, M2, M3, M4, M5, M6, M7, M8, M9)			
161	36150-02	EVAP. COIL BLOCK-OFF (LG) (M14, M15, M16, M17)			
161	36150-01	EVAP. COIL BLOCK-OFF (MED) (M10, M11, M12, M13)			
161	36150-00	EVAP. COIL BLOCK-OFF (SMALL) (M1, M2, M3, M4, M5, M6, M7, M8, M9)			
171	36170-00	MOTOR SHIELD			
181	36220-00	ENDPLATE, BRACKET			
191	36220-01	ENDPLATE, BRACKET			
201	36300-05	SPOTWELD ASM., EVAP. (LARGE) (M14, M15, M16, M17)			
201	36300-04	SPOTWELD ASM., EVAP. (MED.) (M10, M11, M12, M13)			
201	36300-03	SPOTWELD ASM., EVAP. (SMALL) (M1, M2, M3, M4, M5, M6, M7, M8, M9)			
211	36300-07	MOUNTING BRACKET, CAP.			
NS	36300-08	BLOCK-OFF, CONTROL BOX (M1, M5, M10, M14)			

AC* Model Air Handlers



AC* Model Air Handlers

Ref. Part No:	Description:	Ref. Part No:	Description:
<i>Image 1:</i>		NS BT13930-07	NYLON LOCKNUT (QTY 4)
231 36501-00S	BLOWER ASM. AC18 (COMPLETE) (M1, M2, M3, M4)	Expanded Model Nomenclature	
231 36501-01S	BLOWER ASM. AC24 (COMPLETE) (M5, M6, M7, M8, M9)	M1 - AC18-00D	
231 36501-02S	BLOWER ASM. AC30 (COMPLETE) (M10, M11, M12, M13)	M2 - AC18-05D	
231 36501-03S	BLOWER ASM. AC36 (COMPLETE) (M14, M15, M16, M17)	M3 - AC18-06D	
241 36960-00S	COIL TUBING ASM. AC18 (M1, M2, M3, M4)	M4 - AC18-08D	
241 36960-01S	COIL TUBING ASM. AC24 (M5, M6, M7, M8, M9)	M5 - AC24-00D	
241 36960-02S	COIL TUBING ASM. AC30 (M10, M11, M12, M13)	M6 - AC24-05D	
241 36960-03S	COIL TUBING ASM. AC36 (M14, M15, M16, M17)	M7 - AC24-06D	
251 BT13400-16	MOTOR, 1/3 HP (M14, M15, M16, M17)	M8 - AC24-08D	
251 BT13400-15	MOTOR, 1/4 HP (M5, M6, M7, M8, M9, M10, M11, M12, M13)	M9 - AC24-10D	
251 BT13400-14	MOTOR, 1/8 HP (M1, M2, M3, M4)	M10 - AC30-00D	
261 BT13680-11	BLOWER WHEEL, 5.75 X 6.75 (M1, M2, M3, M4)	M11 - AC30-05D	
261 BT13680-12	BLOWER WHEEL, 6.31 X 8.25 (M5, M6, M7, M8, M9)	M12 - AC30-08D	
261 BT13680-13	BLOWER WHEEL, 6.75 X 8.25 (M10, M11, M12, M13)	M13 - AC30-10D	
261 BT13680-14	BLOWER WHEEL, 6.75 X 9.25 (M14, M15, M16, M17)	M14 - AC36-00D	
271 BT13690-04	FLOWRATOR, .052 (M1, M2, M3, M4)	M15 - AC36-05D	
271 BT13690-01	FLOWRATOR, .059 (M5, M6, M7, M8, M9)	M16 - AC36-08D	
271 BT13690-05	FLOWRATOR, .065 (M10, M11, M12, M13)	M17 - AC36-10D	
271 BT13690-06	FLOWRATOR, .071 (M14, M15, M16, M17)		
361 30937-29	MANIFOLD ASM.		
371 36140-00	BLOWER DECK AC18 (M1, M2, M3, M4)		
371 36140-01	BLOWER DECK AC24 (M5, M6, M7, M8, M9)		
371 36140-02	BLOWER DECK AC30 (M10, M11, M12, M13)		
371 36140-03	BLOWER DECK AC36 (M14, M15, M16, M17)		
381 36160-00	MOTOR MOUNT BRACKET		
391 36420-00	VENTURI, 5.000 DIA. (M1, M2, M3, M4)		
391 36420-01	VENTURI, 5.500 DIA (M5, M6, M7, M8, M9, M10, M11, M12, M13, M14, M15, M16, M17)		
401 36602-01	BLOWER HOUSING, 10.75 (M5, M6, M7, M8, M9, M10, M11, M12, M13, M14, M15, M16, M17)		
401 36602-00	BLOWER HOUSING, 8" (M1, M2, M3, M4)		
411 36649-02	COIL ASM. (LG.) (M14, M15, M16, M17)		
411 36649-01	COIL ASM. (MED) (M10, M11, M12, M13)		
411 36649-00	COIL ASM. (SMALL) (M1, M2, M3, M4, M5, M6, M7, M8, M9)		
9991 RT14200-12	HEATER, 10KW (M9, M13, M17)		
9991 BT14200-10	HEATER, 5KW (M2, M6, M11, M15)		
9991 BT14200-13	HEATER, 6KW (M3, M7)		
9991 BT14200-11	HEATER, 8KW (M4, M8, M12, M16)		
NS BT13937-06	CARRIAGE BOLT (QTY 4)		
NS BT13925-00	CLAMP, MOTOR MOUNT (QTY 2)		
NS BT13929-04	FENDER WASHER (QTY 4)		
NS BT1393410	FLEX CONDUIT (QTY AR)		