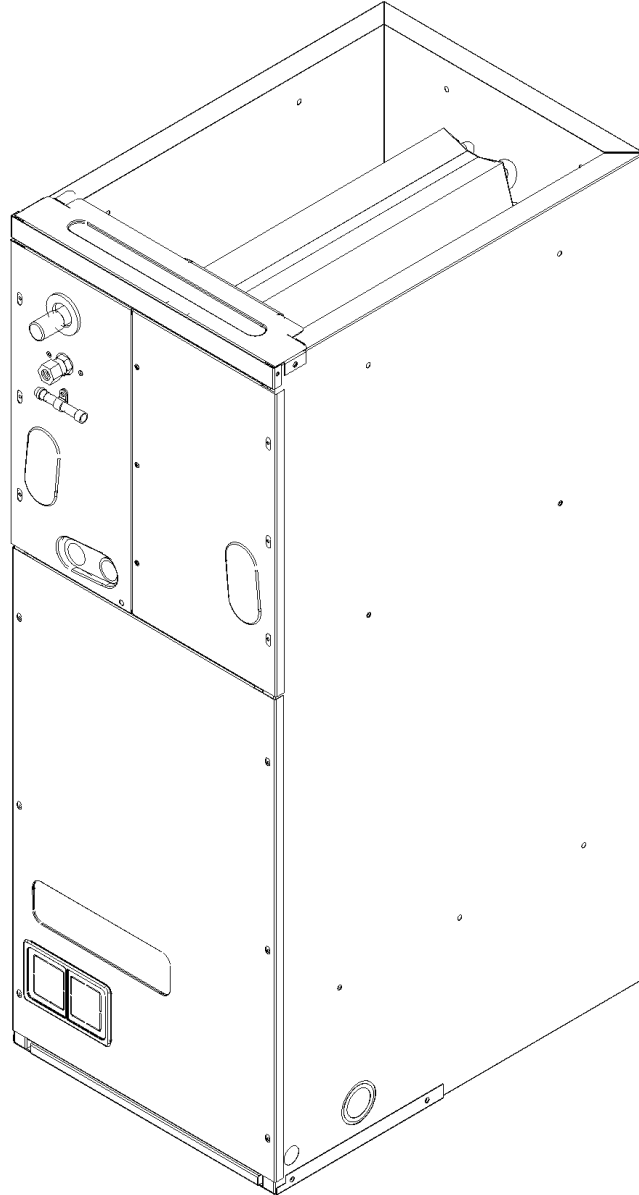


# REPAIR PARTS

---

## A\*\*-00-\*\* Air Handler (EXPORT)

A50-00-2RAA



This manual is to be used by qualified technicians only.

© 2014 Goodman Manufacturing Company, L.P. ♦ 5151 San Felipe St., Suite 500 ♦ Houston, TX 77056

# Important Information

---

## Index

Functional Parts List .....	3
Illustration and Parts .....	4 - 7

*Views shown are for parts illustrations only, not servicing procedures*

50 Hz Air Handler (EXPORT)

### Text Codes:

AR - As Required

NA - Not Available

NS - Not Shown

00000000 - See Note

QTY - Quantity Example (QTY 3) (If Quantity not shown, Quantity = 1)

M - Model Example (M1) (If M Code not shown, then part is used on all Models)

### Expanded Model Nomenclature:

Example M1 - Model#1 M2 - Model#2 M3 - Model#3
---

Goodman Manufacturing Company, L.P. is not responsible for personal injury or property damage resulting from improper service. Review all service information before beginning repairs.

Warranty service must be performed by an authorized technician, using authorized factory parts. If service is required after the warranty expires, Goodman Manufacturing Company, L.P. also recommends contacting an authorized technician and using authorized factory parts.

Goodman Manufacturing Company, L.P. reserves the right to discontinue, or change at any time, specifications or designs without notice or without incurring obligations.

For assistance within the U.S.A. contact:  
Consumer Affairs Department  
Goodman Manufacturing Company, L.P.  
7401 Security Way  
Houston, Texas 77040  
877-254-4729-Telephone  
713-863-2382-Facsimile

For assistance outside the U.S.A. contact:  
International Division  
Goodman Manufacturing Company, L.P.  
7401 Security Way  
Houston, Texas 77040  
713-861-2500-Telephone  
713-863-2382-Facsimile

# Functional Parts

## Part

**No:**            **Description:**

---

B13400502	BLOWER MOTOR 1/4 HP, 50 HZ
B1368047	BLOWER WHEEL 10 X 10
CAP075000370LA	CAPACITOR 7.5/370V
0130R00047	CE TRANSFORMER
PCBFM103	ELECTRONIC BLOWER TIME DELAY

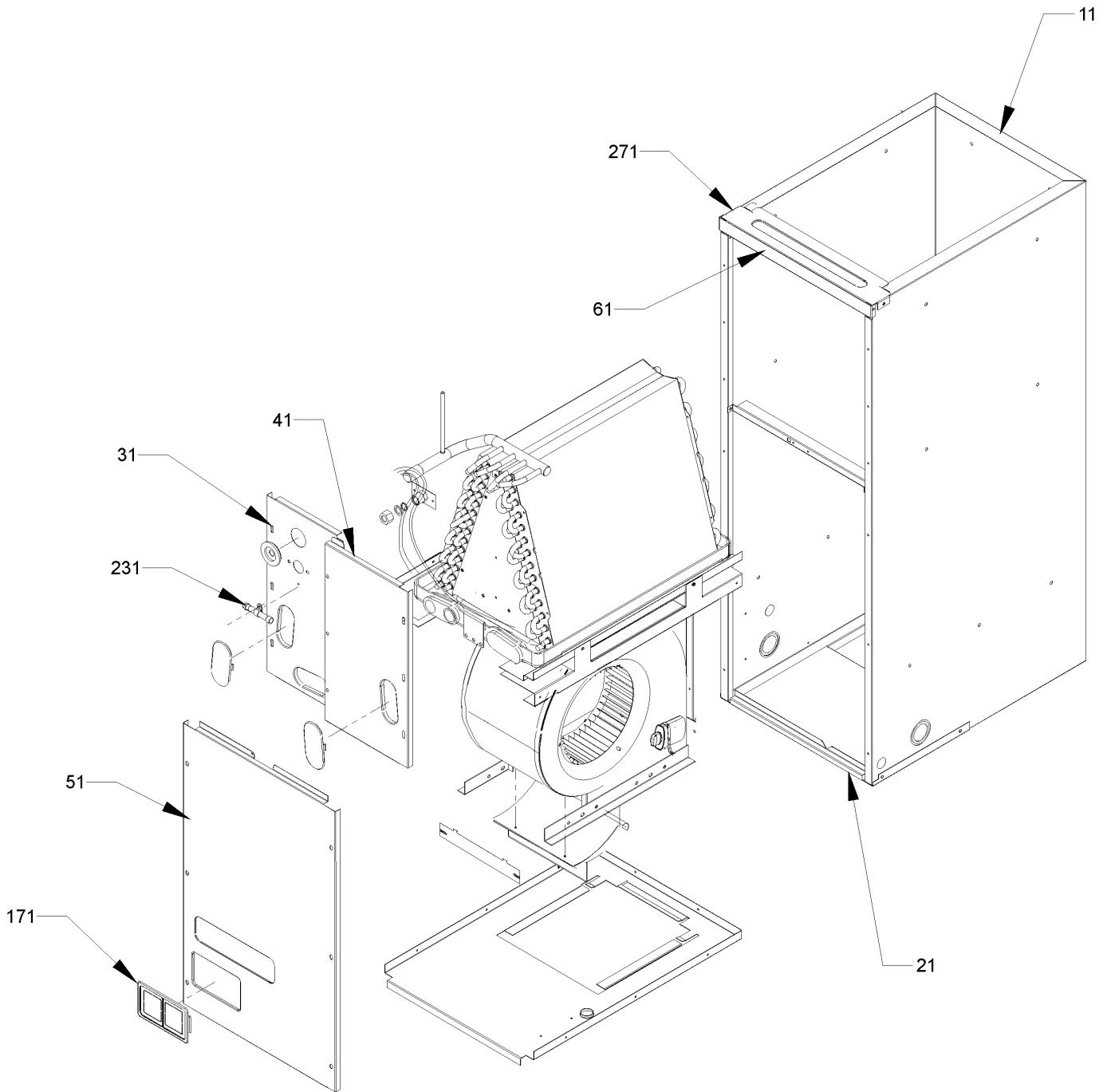
## SPECIAL PARTS

PKCG-4001G    PISTON KIT CHART

## Expanded Model Nomenclature

M1 - A50-00-2RAA
------------------

# Cabinet



# Cabinet

<b>Ref. Part No: No:</b>	<b>Description:</b>	<b>Ref. Part No: No:</b>	<b>Description:</b>
------------------------------	---------------------	------------------------------	---------------------

---

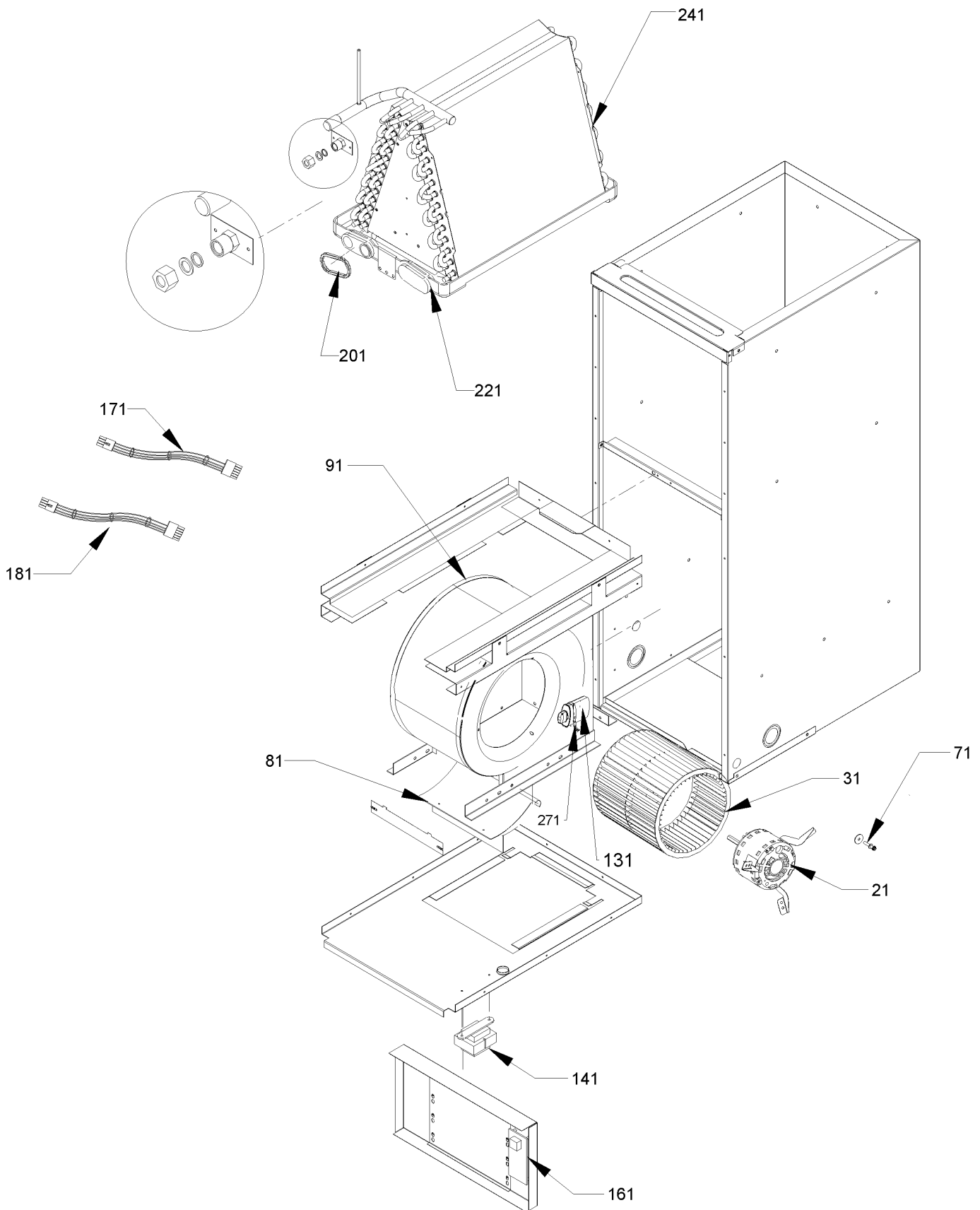
**Image 1:**

11	1721123	WRAPPER ASSY LRG
21	0121A00035PDG	UPPER TIE PLATE
31	1722078PDG	LOWER ACCESS PANEL
41	1722081PDG	LOWER SERVICE PANEL
51	1722084PDG	UPPER ACCESS PANEL
61	1722087PDG	FILTER COVER LRG
171	0161A00034	PLASTIC CIRCUIT BREAKER INSERT
231	BT1369063	90 DEGREE STUB
271	1721921	BOTTOM BRACKET, LARGE (AR)
NS	1721918	BOTTOM TIE LRG

**Expanded Model Nomenclature**

M1 - A50-00-2RAA

# Internal Components



# Internal Components

Ref. Part No:	No:	Description:	Ref. Part No:	No:	Description:
<i>Image 1:</i>					
21	B13400502	BLOWER MOTOR 1/4 HP, 50 HZ			
31	B1368047	BLOWER WHEEL 10 X 10			
71	B1393331	MACHINE SCREW, 1/4-20 TYPE F SLOTTED (QTY 3)			
81	764741	BLOWER BLOCK-OFF 10 X 10			
91	0271A00016	BLOWER HOUSING ASSY 10 X 10			
131	CAP075000370LA	CAPACITOR 7.5/370V			
141	0130R00047	CE TRANSFORMER			
161	PCBFM103	ELECTRONIC BLOWER TIME DELAY			
171	0259A00005P	WIRE ASSY, 9-PIN FEMALE CONNECTOR			
181	0259A00003P	WIRE ASSY, 9-PIN MALE CONNECTOR			
201	0154A00000BL	DRAIN PAN GASKET (QTY 2)			
221	B1756020L	PLASTIC DRAIN PAN (VERTICAL)			
241	0270A00907	COIL TUBING ASSY			
271	1284835	CAPACITOR STRAP			
NS	0163M00175	CAP W/O-RING			
NS	B1392630	GROMMET			
NS	B1392640	PLASTIC DRAIN COVER			
NS	B1756028L	PLASTIC DRAIN PAN (HORIZONTAL)			
NS	B1787000	VALVE CORE			

## Expanded Model Nomenclature

M1 - A50-00-2RAA
------------------