

32C153J Package Terminal Air Conditioners (R-32 Series)

32C153J35AXXXBA



Amana® is a registered trademark of Maytag Corporation or its related companies and is used under license. All rights reserved.

This manual is to be used by qualified technicians only.

© 2016 Goodman Company, L.P. ♦ 5151 San Felipe St., Suite 500 ♦ Houston, TX 77056

Important Information

Index

Functional Parts List	3
Illustration and Parts	4 - 13

Views shown are for parts illustrations only, not servicing procedures

Text Codes:

AR - As Required

NA - Not Available

NS - Not Shown

00000000 - See Note

QTY - Quantity Example (QTY 3) (If Quantity not shown, Quantity = 1)

M - Model Example (M1) (If M Code not shown, then part is used on all Models)

Expanded Model Nomenclature:

Example M1 - Model#1 M2 - Model#2 M3 - Model#3

Goodman Company, L.P. is not responsible for personal injury or property damage resulting from improper service. Review all service information before beginning repairs.

Warranty service must be performed by an authorized technician, using authorized factory parts. If service is required after the warranty expires, Goodman Company, L.P. also recommends contacting an authorized technician and using authorized factory parts.

Goodman Company, L.P. reserves the right to discontinue, or change at any time, specifications or designs without notice or without incurring obligations.

For assistance within the U.S.A. contact:

Consumer Affairs Department

Goodman Company, L.P.

7401 Security Way

Houston, Texas 77040

877-254-4729-Telephone

713-863-2382-Facsimile

For assistance outside the U.S.A. contact:

International Division

Goodman Company, L.P.

7401 Security Way

Houston, Texas 77040

713-861-2500-Telephone

713-863-2382-Facsimile

Functional Parts

Part

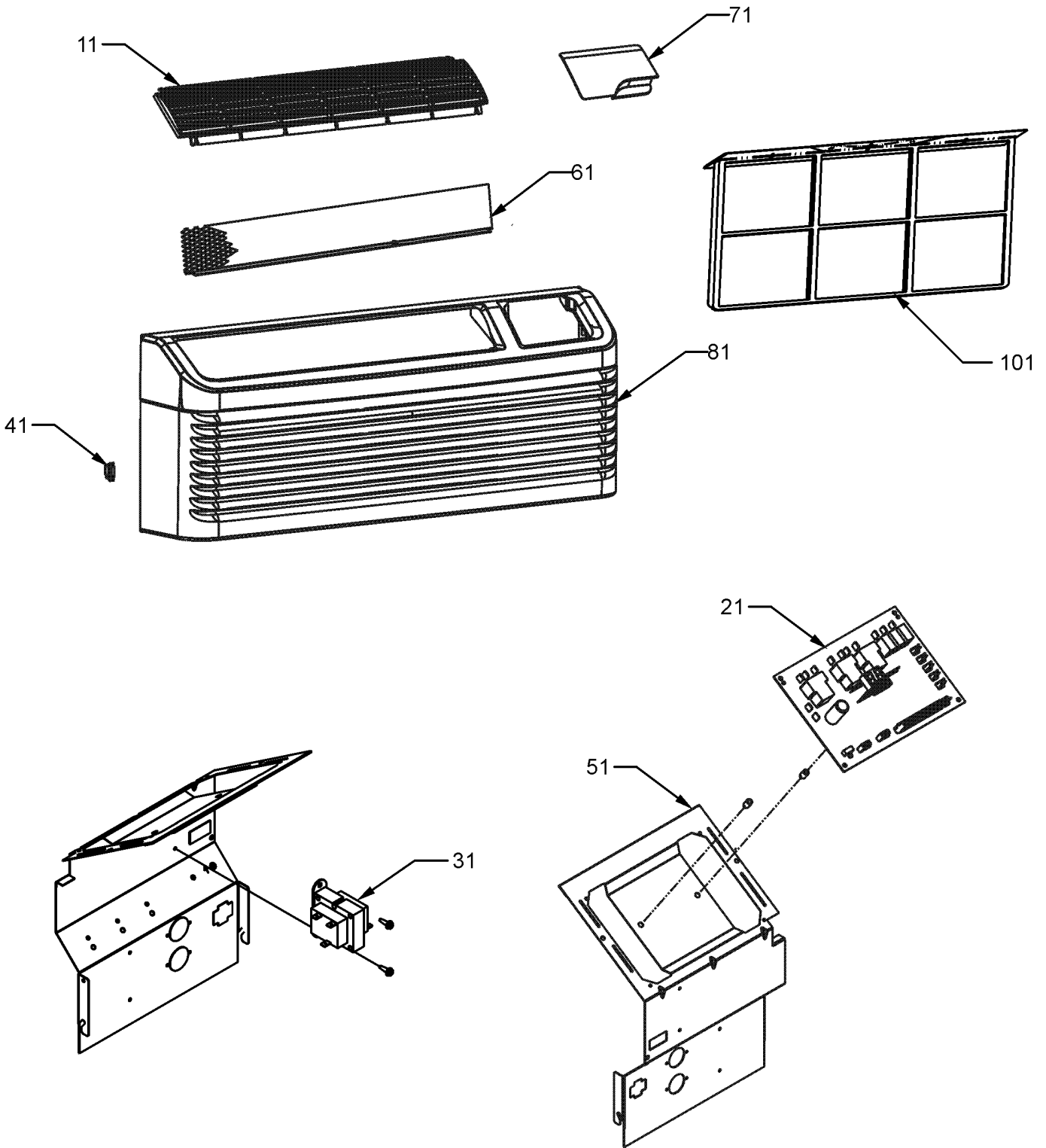
No: Description:

CAP050300450CS	CAPACITOR 5/30/450V/DUAL RD
RSKP0012	CONTROL BOARD M70
RSKP0015	CONTROL PANEL COVER AND MEMBRANE
0130P00115	CORD,250VAC,20A (LCD)
0131P00029	FAN MOTOR, INDOOR
0131P00030	FAN MOTOR, OUTDOOR DC
0161P00055	FAN, CONDENSER
0275P00038	HEATER ASSY
PCBEP104	INDOOR DC CONTROL BOARD
PCBEP105	OUTDOOR DC CONTROL MOTOR
802007090	TERM BOARD
0130P00073	THERMISTOR
0130P00134	THERMISTOR - DISCHARGE
0130P00084	THERMISTOR - INDOOR COIL
0130M00152	TRANSFORMER 20VA

Expanded Model Nomenclature

M1 - 32C153J35AXXB

Control Panel / Front Assembly



Control Panel / Front Assembly

Ref. Part No: No:	Description:	Ref. Part No: No:	Description:
----------------------	--------------	----------------------	--------------

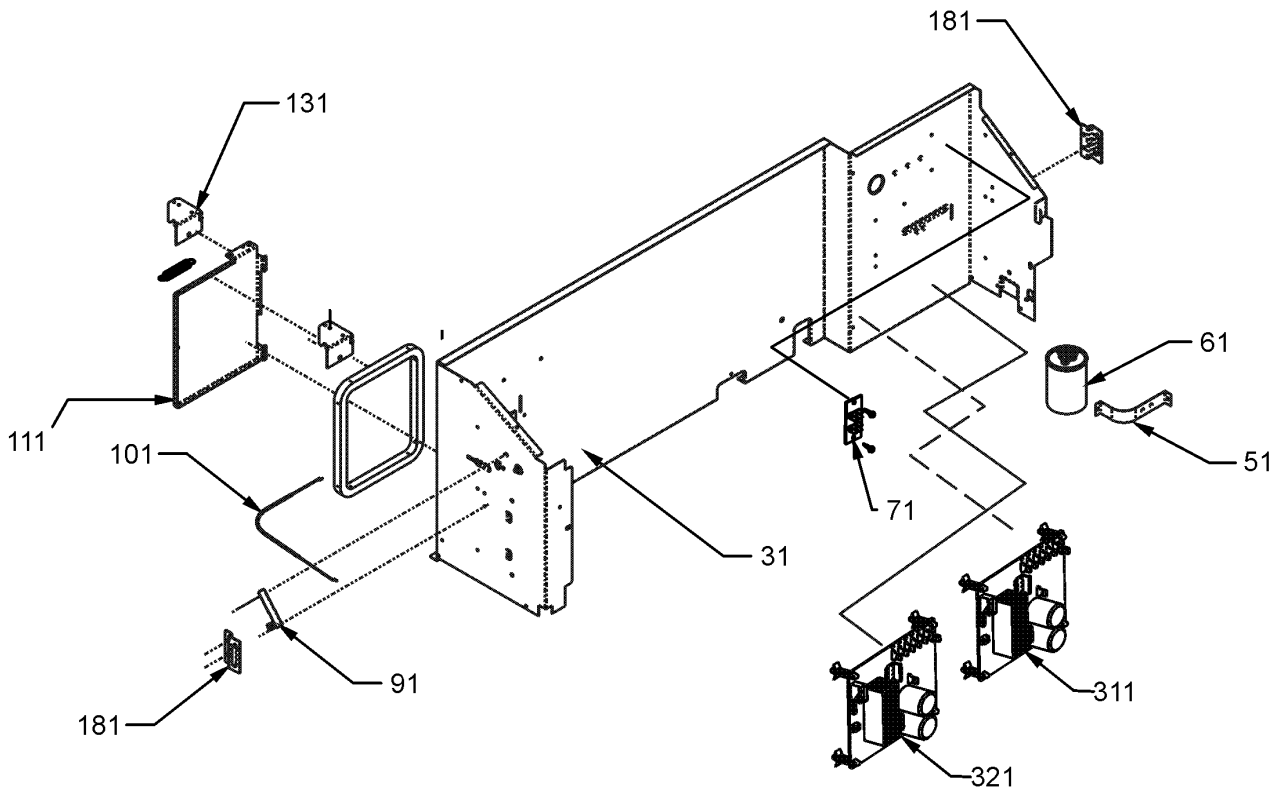
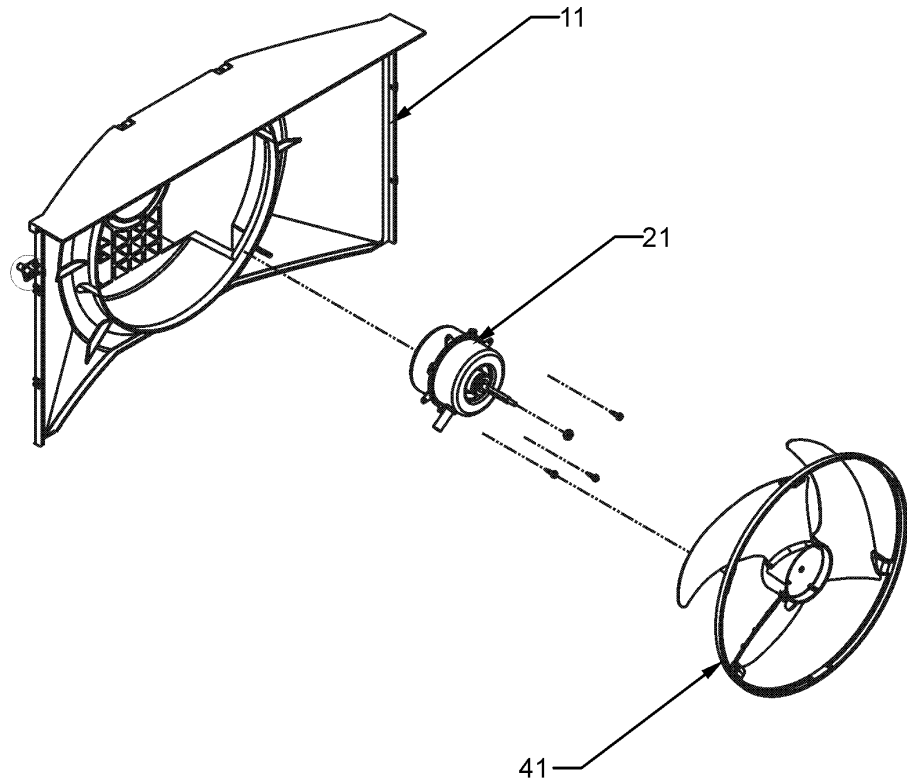
Image 1:

11	0161P00048	FRONT, LOUVERS DISCHARGE
21	RSKP0012	CONTROL BOARD M70
31	0130M00152	TRANSFORMER 20VA
41	0163P00025	CLIP (QTY 2)
51	0121P00130	PANEL, CONTROL
61	0121P00073	SCREEN, DISCHARGE
71	0261P00016	DOOR ASSY, R-32
81	0261P00011	FRONT ASSY
101	0161P00035	FILTER, RACK (QTY 2)

Expanded Model Nomenclature

M1 - 32C153J35AXXXBA

Condenser Fan / Partition Assembly



Condenser Fan / Partition Assembly

Ref. Part No:	No:	Description:	Ref. Part No:	No:	Description:
---------------	-----	--------------	---------------	-----	--------------

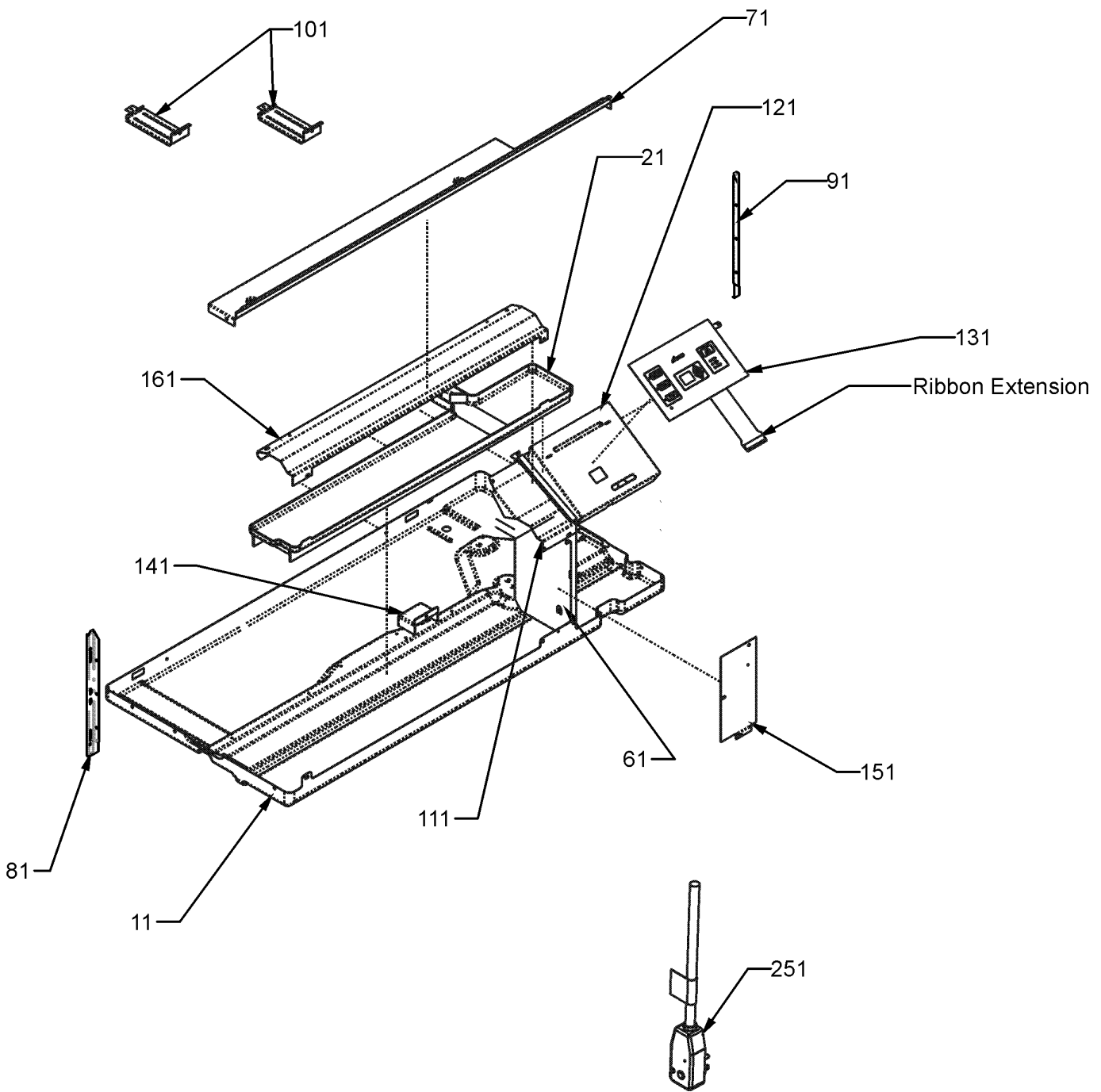
Image 1:

11	0161P00053	SHROUD, CONDENSOR			
21	0131P00030	FAN MOTOR, OUTDOOR DC			
31	0121P00108	PANEL-PARTITION			
41	0161P00055	FAN, CONDENSER			
51	C6300502	CAPACITOR STRAP			
61	CAP050300450CS	CAPACITOR 5/30/450V/DUAL RD			
71	802007090	TERM BOARD			
91	11046302	LEVER ARM			
101	0163P00019	CABLE			
111	0121P00177	DOOR-VENT PTC			
131	0121P00072	BRACKET, VENT DOOR-C			
181	11191703	PARTITION PANEL BRACKET (QTY 2)			
311	PCBEP105	OUTDOOR DC CONTROL MOTOR			
321	PCBEP104	INDOOR DC CONTROL BOARD			

Expanded Model Nomenclature

M1 - 32C153J35AXXBBA

Partition Assembly



Partition Assembly

Ref. Part No:	No:	Description:	Ref. Part No:	No:	Description:
---------------	-----	--------------	---------------	-----	--------------

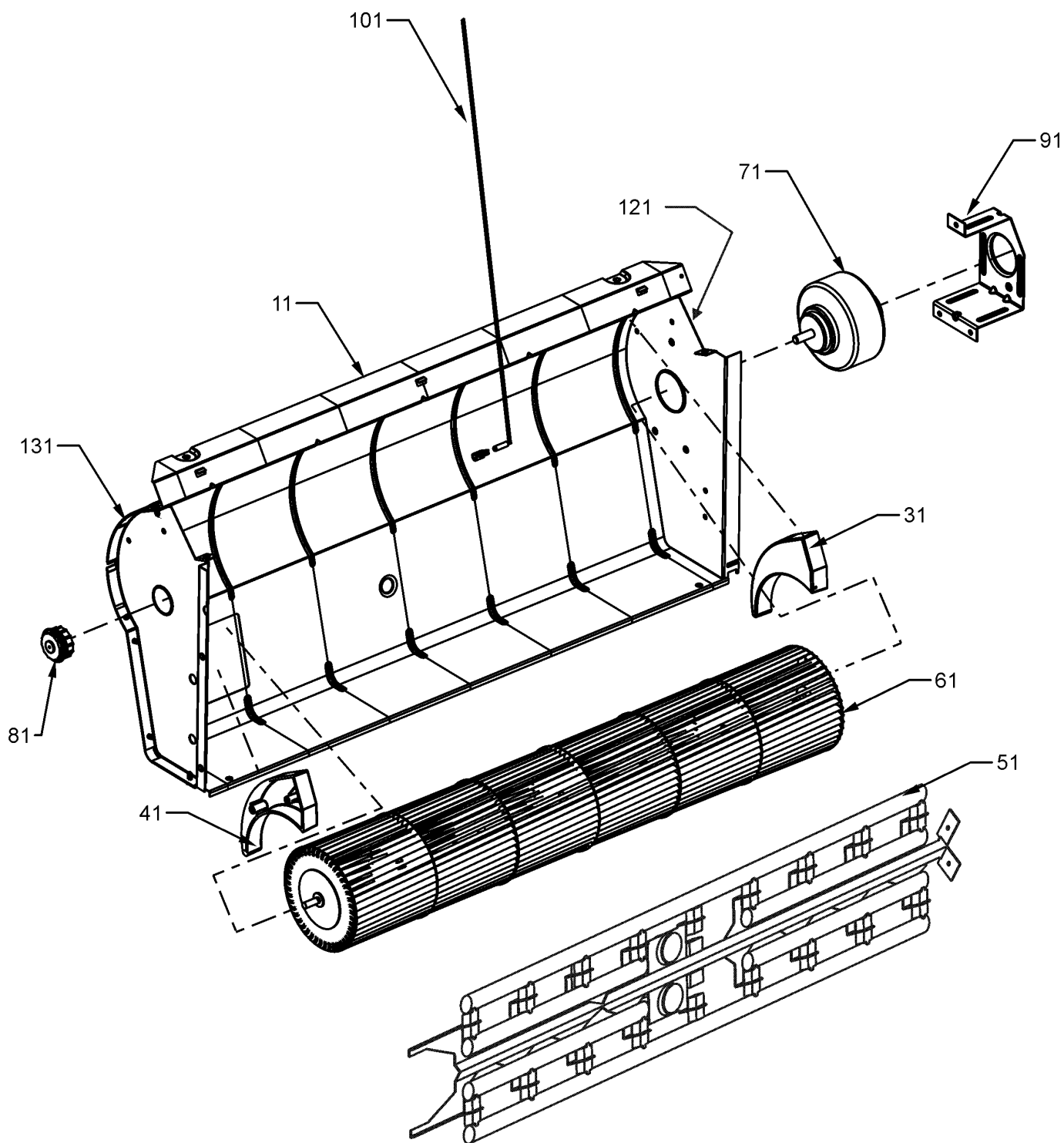
Image 1:

11	0121P00175DG	BASE PAN			
21	0161P00044	PLASTIC-DRAIN PAN			
61	20403301	MID PARTITION PANEL			
71	0121P00063	TOP, PARTITION PANEL			
81	20416201	SEAL-L SIDE PTC			
91	20416101	SEAL-R SIDE PTC			
101	0121P00071	BRACE, TIE (QTY 2)			
111	0121P00070DG	COVER, MOTOR			
121	0121P00129	COVER-CONTROL PANEL			
131	RSKP0015	CONTROL PANEL COVER AND MEMBRANE			
141	0161P00016	PLASTIC-HOOD			
151	20410801	ACCESS COVER			
161	0121P00061DG	CUTOFF-SCROLL DG			
251	0130P00115	CORD,250VAC,20A (LCD)			
NS	0130P00109	MEMBRANE (CONTROL)			

Expanded Model Nomenclature

M1 - 32C153J35AXXXBA

Evaporator Blower / Heater Assembly



Evaporator Blower / Heater Assembly

Ref. Part No: No:	Description:	Ref. Part No: No:	Description:
-------------------	--------------	-------------------	--------------

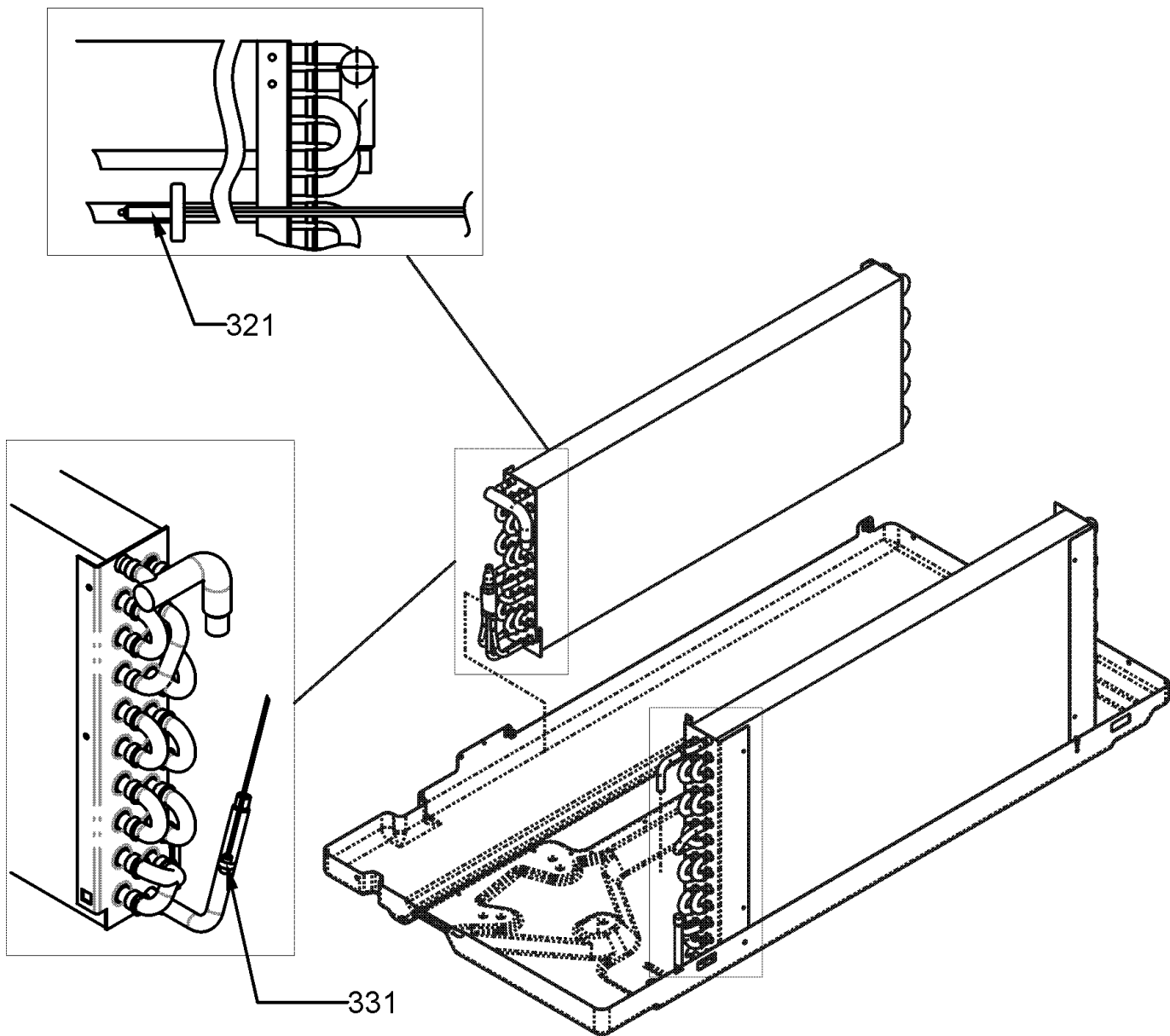
Image 1:

11	0121P00173DG	SCROLL
31	0161P00021	END CAP, RIGHT
41	0161P00022	END CAP, LEFT
51	0275P00038	HEATER ASSY
61	0150P00004	WHEEL, BLOWER
71	0131P00029	FAN MOTOR, INDOOR
81	0163P00027	BEARING
91	0121P00048	BRACKET-MOTOR MOUNT
101	0130P00134	THERMISTOR - DISCHARGE
121	0121P00059DG	ENDPLATE-RH SCROLL
131	0121P00088DG	ENDPLATE- LH SCROLL

Expanded Model Nomenclature

M1 - 32C153J35AXXXBA

Coil / Compressor / Tubing Assembly



Coil / Compressor / Tubing Assembly

Ref. Part

No: No:

Description:

Ref. Part

No: No:

Description:

Image 1:

321 0130P00073 THERMISTOR
331 0130P00084 THERMISTOR - INDOOR COIL

Expanded Model Nomenclature

M1 - 32C153J35AXXXBA