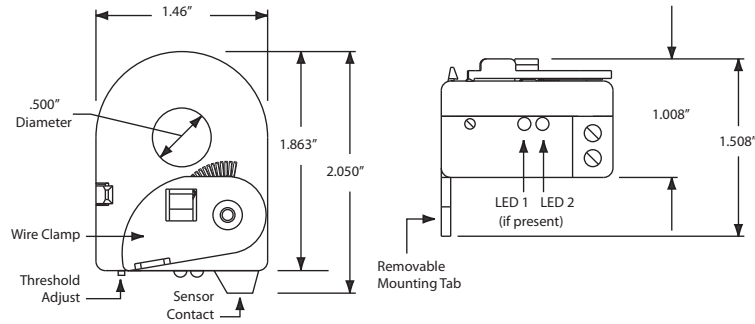
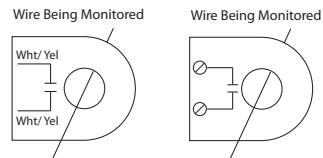
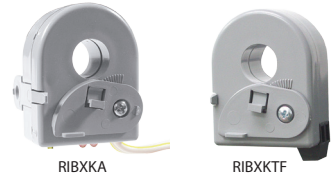


RIBXK Series

Enclosed Self-Powered Solid Core AC Sensors



AC Current Sensors, Solid Core



Specifications

- Operating Temperature:** -30 to 140° F
- Humidity Range:** 5 to 95% (noncondensing)
- Max Sense Voltage:** 600 Vac
- Approvals:** UL Listed, UL916, UL864, C-UL, California State Fire Marshal, CE, RoHS
- Mounting/Installation:** Removable mounting tab provided. The wire clamp locks against the wire being monitored, securing the unit in place.
- Sensor Contact Output:** Current below threshold: Open ; Current above threshold: Closed

- Sensor Contact:**
 - Solid State Contact
 - When sensor contact is off (open), leakage <30 uA @ 30Vac/dc
 - When sensor contact is on (closed), voltage drop < .3 Vac/dc @ .1 Amp
 - < 1.6 Vac/dc @ .4 Amp

Model#	Sensing Range	Type	Threshold	Sensor Contact Type	Switching Voltage Range	Maximum Switching Current	Sensor Contact Termination	LED 1	LED 2
RIBXKF	.25-150 Amp	Solid Core	Fixed, .25 Amp	Solid State Switch SPST	30 Vac/dc	.4 Amps Max	Wht/Yel 16" 18 AWG Wire Leads		
RIBXKTF	.25-150 Amp	Solid Core	Fixed, .25 Amp	Solid State Switch SPST	30 Vac/dc	.4 Amps Max	Terminal Strip, Accepts #14-22 AWG Wire		
RIBXKA	.50-150 Amp	Solid Core	Adjustable	Solid State Switch SPST	30 Vac/dc	.8 Amps Max	Wht/Yel 16" 18 AWG Wire Leads	Over Trip Point	Under Trip Point
RIBXKTA	.50-150 Amp	Solid Core	Adjustable	Solid State Switch SPST	30 Vac/dc	.8 Amps Max	Terminal Strip, Accepts #14-22 AWG Wire	Over Trip Point	Under Trip Point