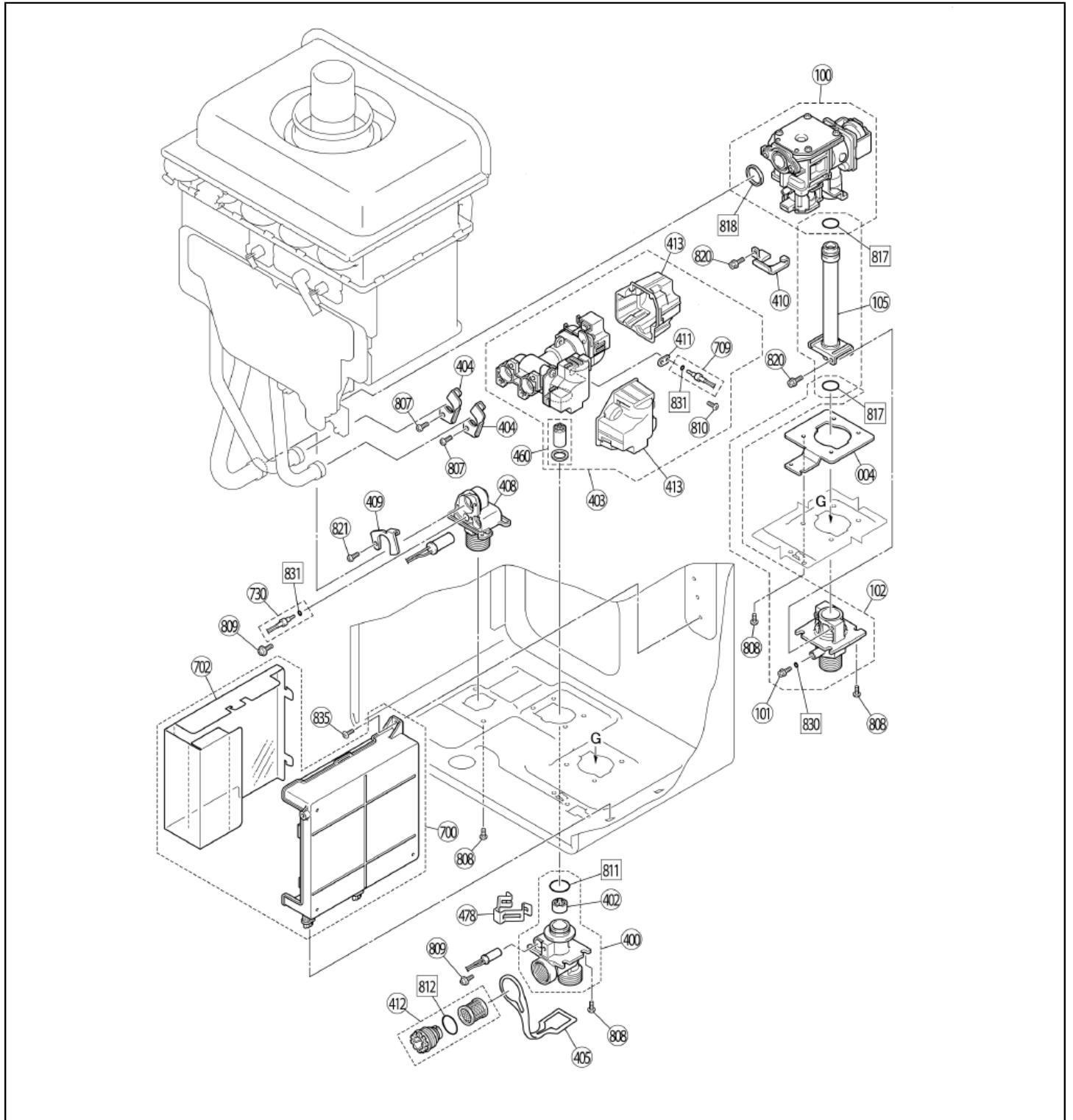
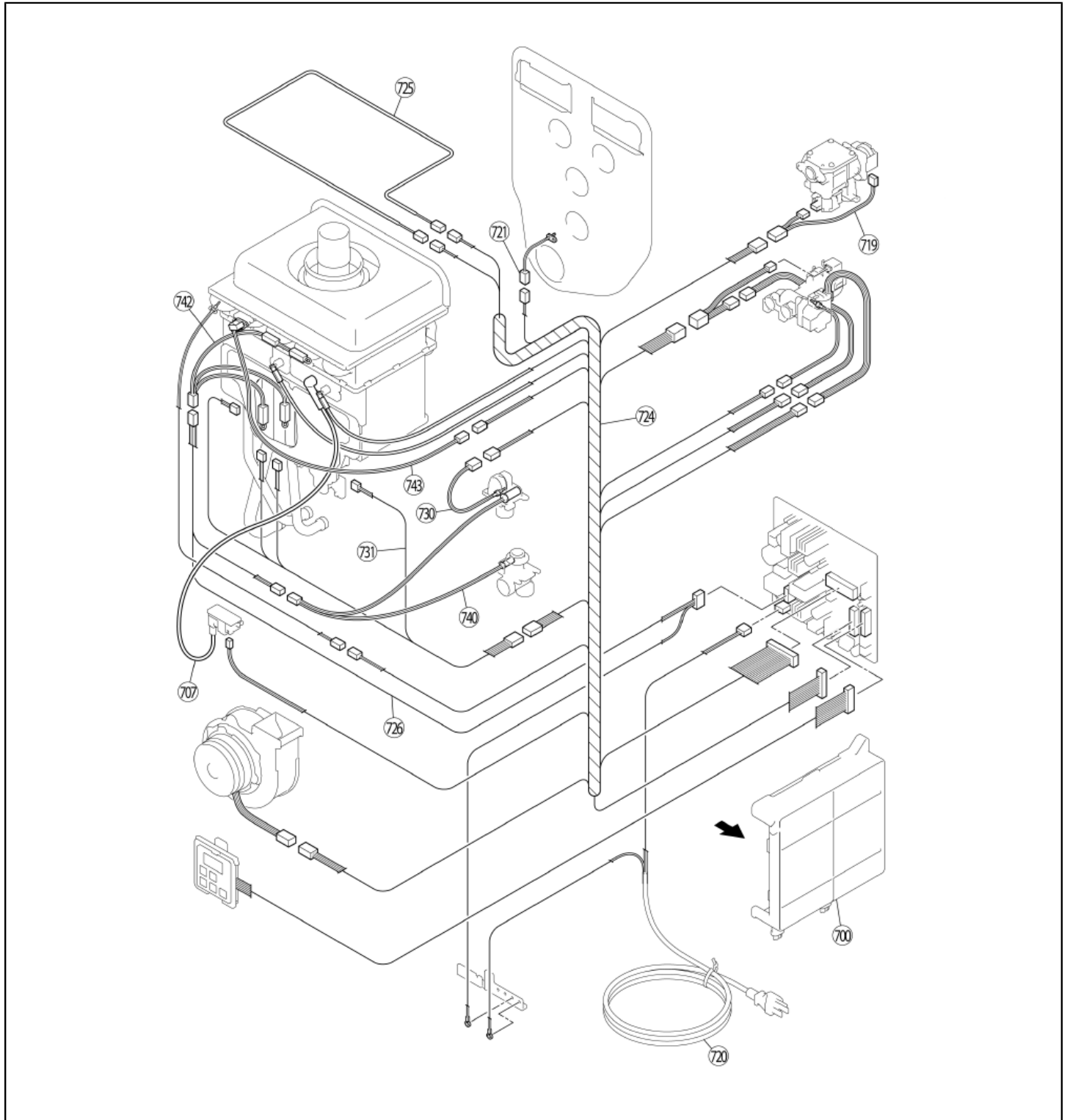


Item Number: RE199iP
Description: RE199iP (REU-VE2737FFD-P)
Date Generated: 05/13/2025



The data displayed here is informational only and subject to change.

Item Number: RE199iP
Description: RE199iP (REU-VE2737FFD-P)
Date Generated: 05/13/2025



The data displayed here is informational only and subject to change.

Item Number: RE199iP
 Description: RE199iP (REU-VE2737FFD-P)
 Date Generated: 05/13/2025

Item Number	Description
102000070	Duct Bracket RE
102000072	Duct Packing Upper
102000074	Duct Packing Lower
104000312	HEX Assembly RE
105000090	Thermistor Clip
105000238	Power cord Assembly FF
105000953	Electrode
105000954	Flame Rod
105000956	Fan Motor Assy RE
105000958	By Pass Servo Assy RE
105000959	PCB Large RE
105000963	Ignitor
105000964	High Tension Cord
105000965	Thermistor Heat Exchanger
105000966	Gas Control Harness RE
105000967	Intake Air Thermistor
105000968	Sensor Harness 1 RE
105000976	Fuse Harness 1
105000978	Power Supply Harness 1 RE
105000982	Twin Thermistor
105000983	Solenoid Harness RE
105000986	Heater
105000988	Heater
105000991	Over Heat Switch
105000993	Fan Motor FF
105002010	Temperature Control
106000119	Inlet Gas Supply Connection
106000247	Combustion Chamber Stay
106000248	Gas Control Assy RE
106000249	Burner Unit Assy
106000251	Gas Pipe
106000252	Manifold Assembly LPG RE
106000256	Manifold Upper Packing

The data displayed here is informational only and subject to change.

Item Number: RE199iP
 Description: RE199iP (REU-VE2737FFD-P)
 Date Generated: 05/13/2025

Item Number	Description
106000258	Manifold Lower Packing
106000260	Tube H
107000092	Hot Water Outlet
107000093	Cover
107000105	Recitfier
107000614	Water Inlet RE
107000616	Hot Water Pipe Assy
107000620	Cold Water Pipe Assy
107000621	Flow Turbine Assembly
108000017	O-Ring
108000018	O-Ring
108000020	Cap
108000021	Screw
108000068	Flue Connection Assembly
108000126	Air Inlet Assy RE
108000128	Fan Casing
109000018	Plug Band
109000181	Packing
109000240	Gasket
109000244	Quick Fastener
109000252	O-Ring
109000598	Truss Screw
109000634	Rubber Bushing
109000635	Gas Tube Bracket
109000636	Quick Fastener 16B
109000641	Screw
109000648	Screw
109000649	Screw
109000786	Fuse Holder
109000793	Ground Screw
109001247	Wall Bracket RE
109001248	Reinforcement Plate
109001250	Front Panel RE

The data displayed here is informational only and subject to change.

Item Number: RE199iP
 Description: RE199iP (REU-VE2737FFD-P)
 Date Generated: 05/13/2025

Item Number	Description
109001252	Front Panel Upper Packing
109001253	Front Panel Lower Packing
109001254	Temperature Control Plate RE
109001256	Handle
109001257	Earth Plate RE
109001258	Latch Hook
109001259	Latch
109001260	Clamp Fixing Plate
109001261	Clamp
109001263	Top Side Reinforcement RE
109001265	Electrode Bracket Right
109001266	Electrode Packing
109001267	Electrode Bracket Left
109001268	Electrode Bracket Assy RE
109001273	Combustion Chamber Bracket Right RE
109001275	Comb Chamber Bracket Left RE
109001277	Fan Bracket
109001279	Seal Packing
109001283	Pipe Seal
109001284	Retention Clip - Residential
109001286	Stop Bracket
109001287	Plate
109001288	Clip
109001292	Cover
109001295	Fuse Holder
109001296	Ignitor Bracket
109001297	Cable Clip
109001298	Screw RE
109001299	Screw
109001300	Screw
109001301	O Ring
109001305	Screw
109001306	Screw RE

The data displayed here is informational only and subject to change.

Item Number: RE199iP
 Description: RE199iP (REU-VE2737FFD-P)
 Date Generated: 05/13/2025

Item Number	Description
805000081	Inlet Thermistor Sensor
809000177	Screw
809000179	Screw
AU124-618X01	Heater Clip A
AU206-218	Electrode Sleeve
C10D-5	Pressure Point Screw
CP-20883-410UK	Screw
CP-80452	Self Tapping Grounding Screw
H98-510-S	Water Filter Assembly
M10B-13-4	O-Ring
M10B-2-14	O Ring
M10B-2-16	O Ring
M10B-2-4	O-Ring
U217-449	Screw
U242-312	Back Pressure Joint
U250-625	Heater Clip C
ZBA0408UK	Screw
ZFAB0408SZ	Screw
ZFDB0408UK	Screw

The data displayed here is informational only and subject to change.